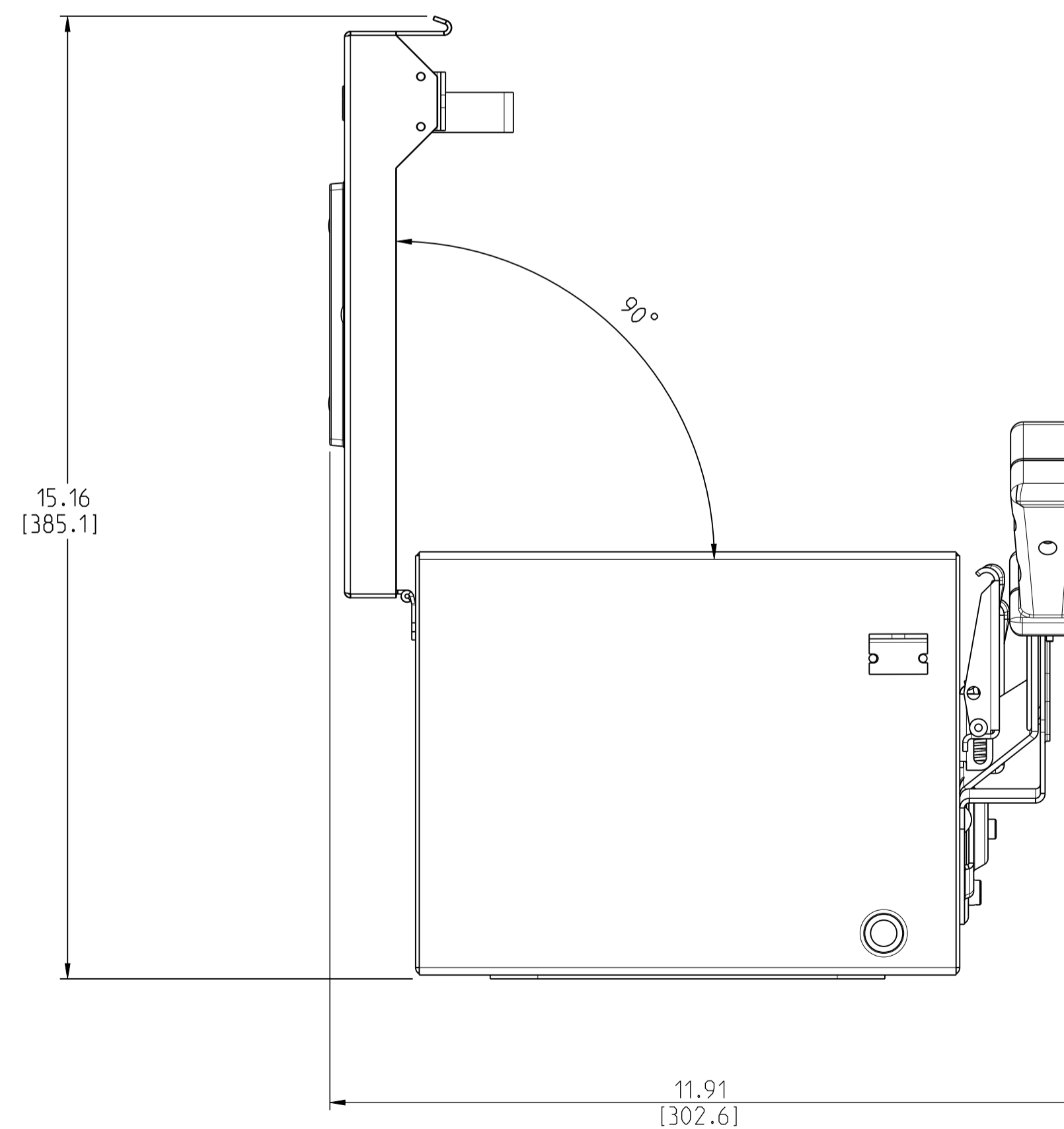
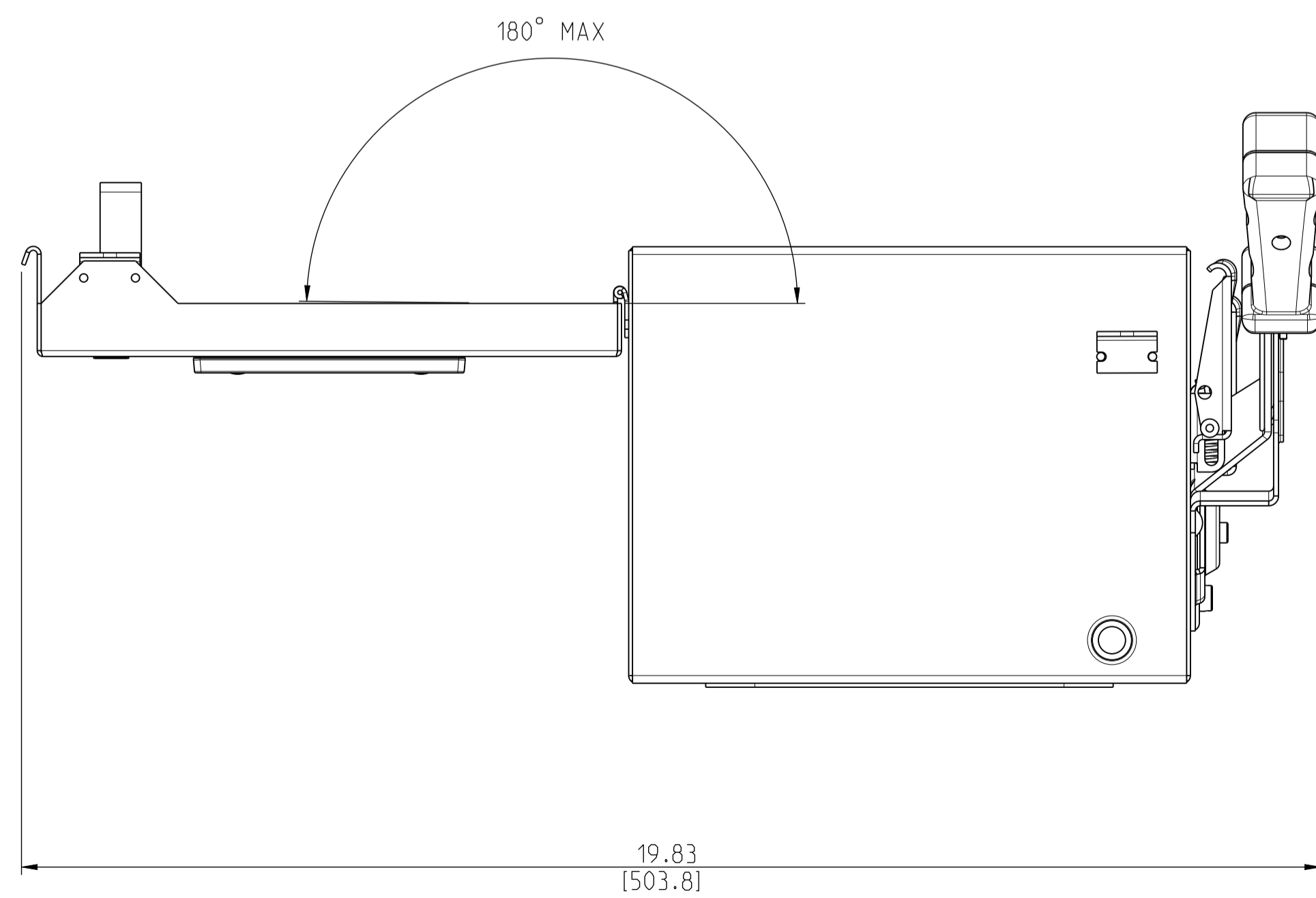
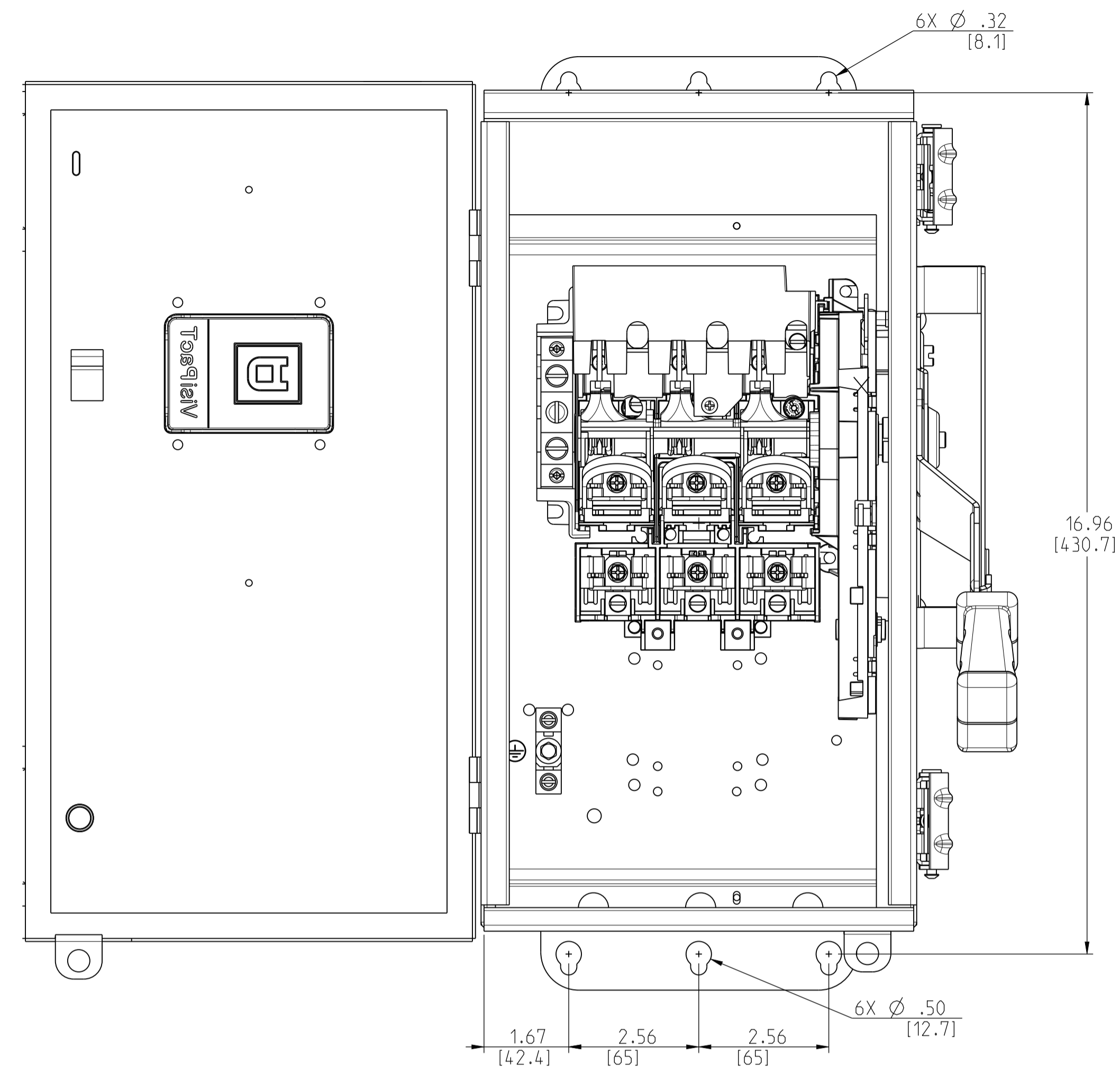
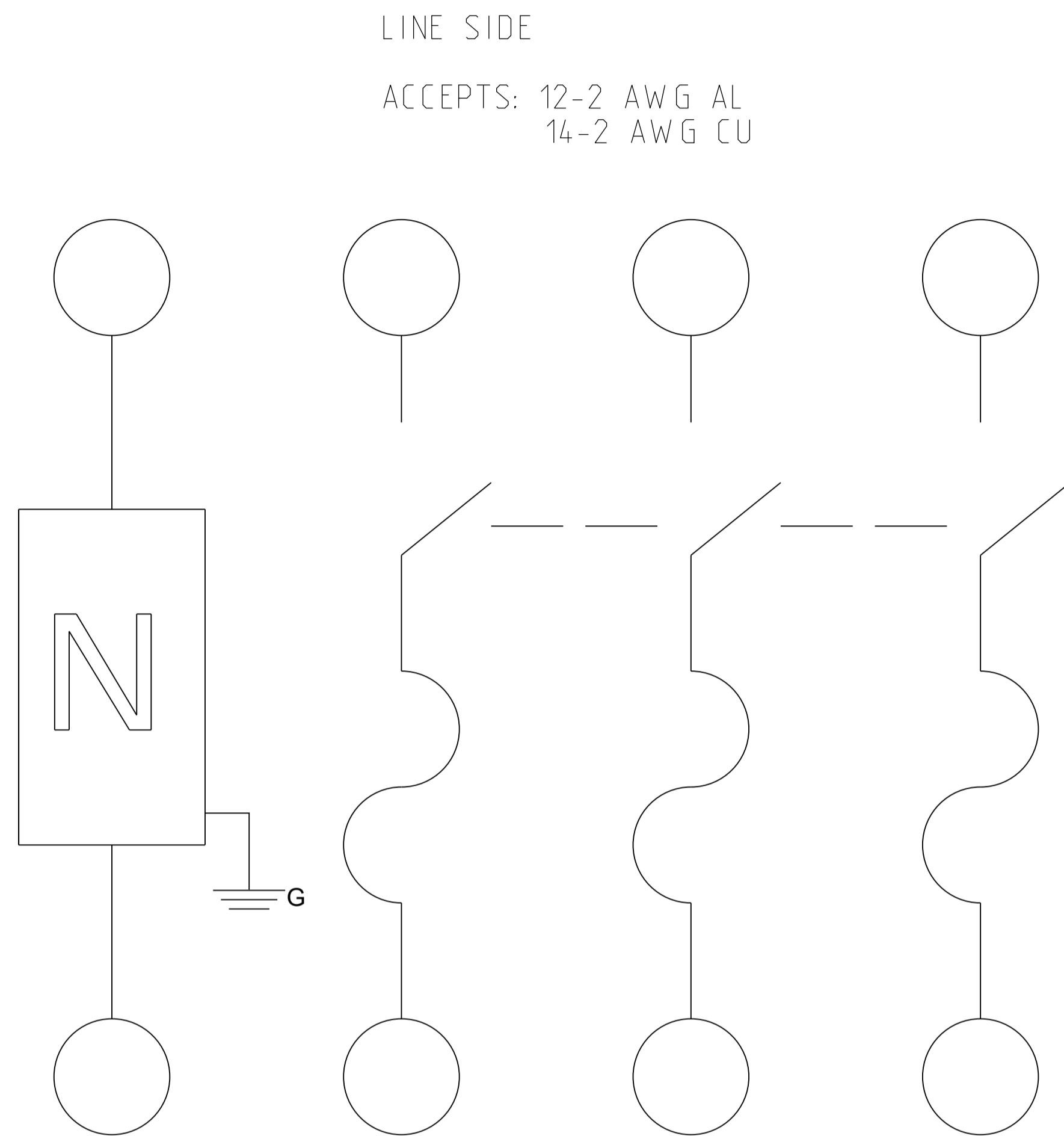


	Scale: NTS	Technical Specification:	Units of measure : in
<b>Schneider Electric</b>		Document Description: APVH362BDSGL_CUSTOMER-DRAWING	
		Document Number: APVH362BDSGL_CUSTOMER-DRAWING	Doc. Rev. Sheet: 00 1/3
<small>The information is highly confidential and is the exclusive property of Schneider Electric. It is not to be disclosed or reproduced in any way without permission from the Schneider Electric Group. This drawing must not be modified in any way without the express written consent of Schneider Electric.</small>			State: <b>Provisional</b>



	Scale: NTS	Technical Specification:	Units of measure: in
	Document Description: <b>APVH362BDSGL_CUSTOMER-DRAWING</b>		
Document Number: <b>APVH362BDSGL_CUSTOMER-DRAWING</b>		Doc. Rev.:	Sheet:
		<b>00</b>	<b>2/3</b>

The information is highly confidential and is the exclusive property of Schneider Electric. Copyright reserved. This drawing must not be used for any purpose other than that expressly permitted in writing by the vendor and shall not be disclosed or reproduced in any way without permission from the vendor in writing. This drawing shall be returned to the vendor when the contract has ended.



LINE SIDE

ACCEPTS: 12-2 AWG AL  
14-2 AWG CU

LOAD SIDE

ACCEPTS: 12-2 AWG AL  
14-2 AWG CU

**NOTES:**

FINISH - 304 STAINLESS STEEL

LUGS SUITABLE FOR 60°C OR 75°C AL-CU CONDUCTORS

**SHORT CIRCUIT CURRENT RATINGS:**

10,000 RMS SYMMETRICAL AMPERES WHEN USED IN CONJUNCTION WITH CLASS H OR K FUSES. 200,000 RMS SYMMETRICAL AMPERES WHEN USED IN CONJUNCTION WITH CLASS R, J OR T FUSES.

cULus LISTED - FILE E2875

**SEISMIC NOTES:**

USE (4) DIA GRADE 5 STEEL MOUNTING BOLTS AT SWITCH MOUNTING HOLES. MAX CONFIGURED WEIGHT 18 LB FOR THE PURPOSE OF DETERMINING SEISMIC ANCHORAGE REQUIREMENTS. FOR ALL OTHER APPLICATIONS, CONTACT SQUARE D COMPANY.

CATALOG NUMBER	VOLTAGE RATING	AMPERAGE RATING	ENCLOSURE RATING
VH362BDSGL	600VAC/VDC	60	TYPE 4X

HORSEPOWER RATINGS			
VOLTS	Ø	STD	MAX
*240V~	1	3	10
**240V~	3	7.5	15
*480V~	1	5	20
**480V~	3	15	30
600V~	3	15	50
*250V=	--	10	--
*600V=	--	25	30

\*USE BOTH OUTER SWITCHING POLES

\*\*IF CORNER GROUNDED DELTA, USE OUTER SWITCHING POLES FOR UNGROUNDED CONDUCTORS

KIT	VOLTAGE	PART NUMBER
ELECTRICAL INTERLOCK	600V	EIK1, EIK2
	240V	EIK031, EIK032
CLASS R FUSE KITS	600V	RFK03H, RFK06
	240V	RFK03L
INTERNAL BARRIER	600V	SS06
	240V	SS03
FUSE PULLER	600V	FPK0610
	240V	FPK03
SOLID NEUTRAL ASSEMBLY	600V	SN0610 for Al SN0610C for Cu FOR CANADA: CSN0610 for Al CSN0610C for Cu
	240V	SN03 for Al SN03C for Cu FOR CANADA: CSN03 for Al CSN03C for Cu
EQUIPMENT GROUNDING KIT	600V	GTK0610 for Al GTK0610C for Cu
	240V	GTK03 for Al GTK03C for Cu
TOUCH UP PAINT	600V & 240V	PK49SP
LOCK OFF/ON	600V	LOGK2
	240V	LOGK1
COPPER LUGS	600V & 240V	CL0306F

	Scale: NTS	Technical Specification:	Units of measure: in
	Document Description: APVH362BDSGL_CUSTOMER-DRAWING		
Document Number: APVH362BDSGL_CUSTOMER-DRAWING		Doc. Rev. 00	Sheet: 3/3