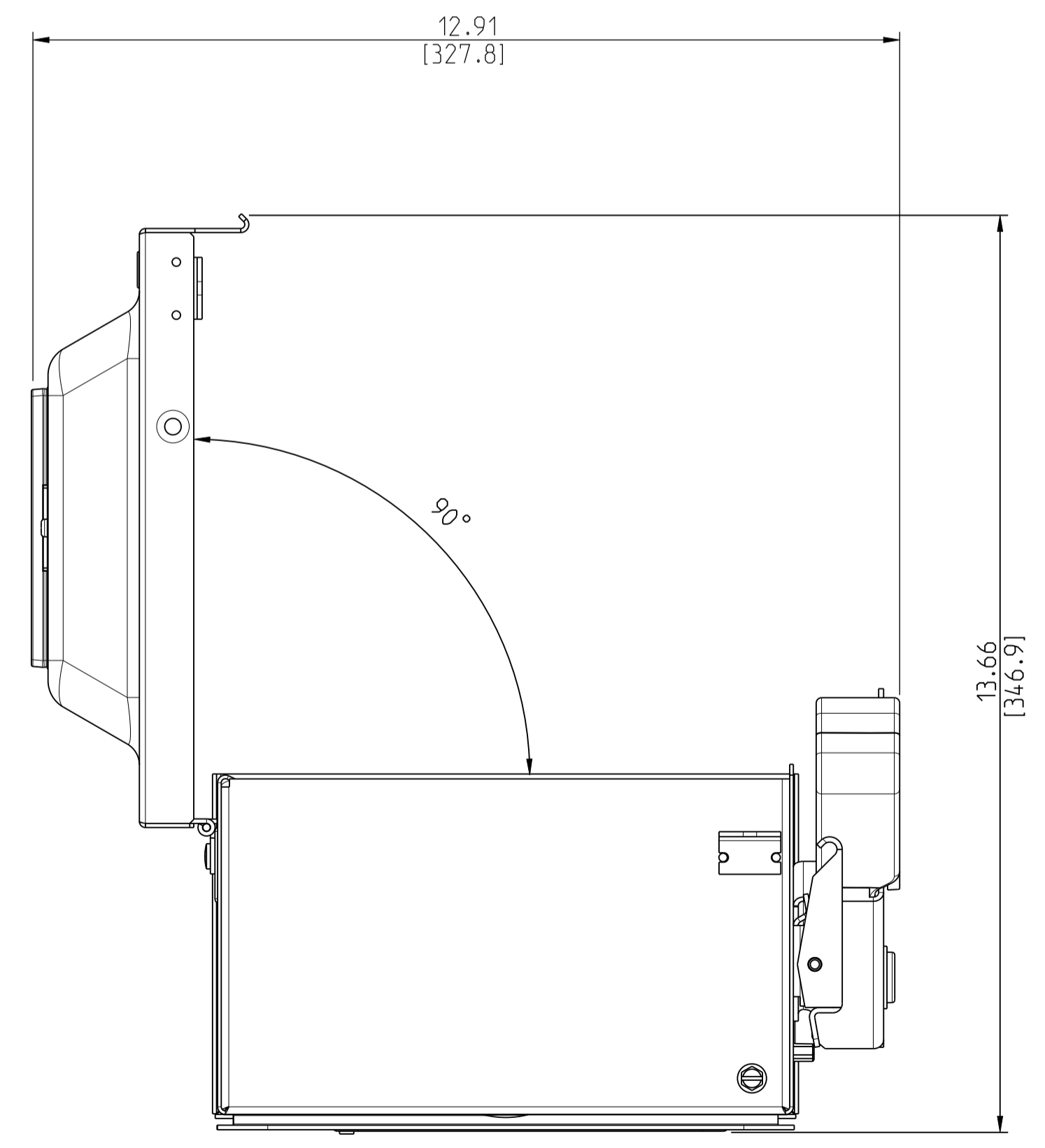
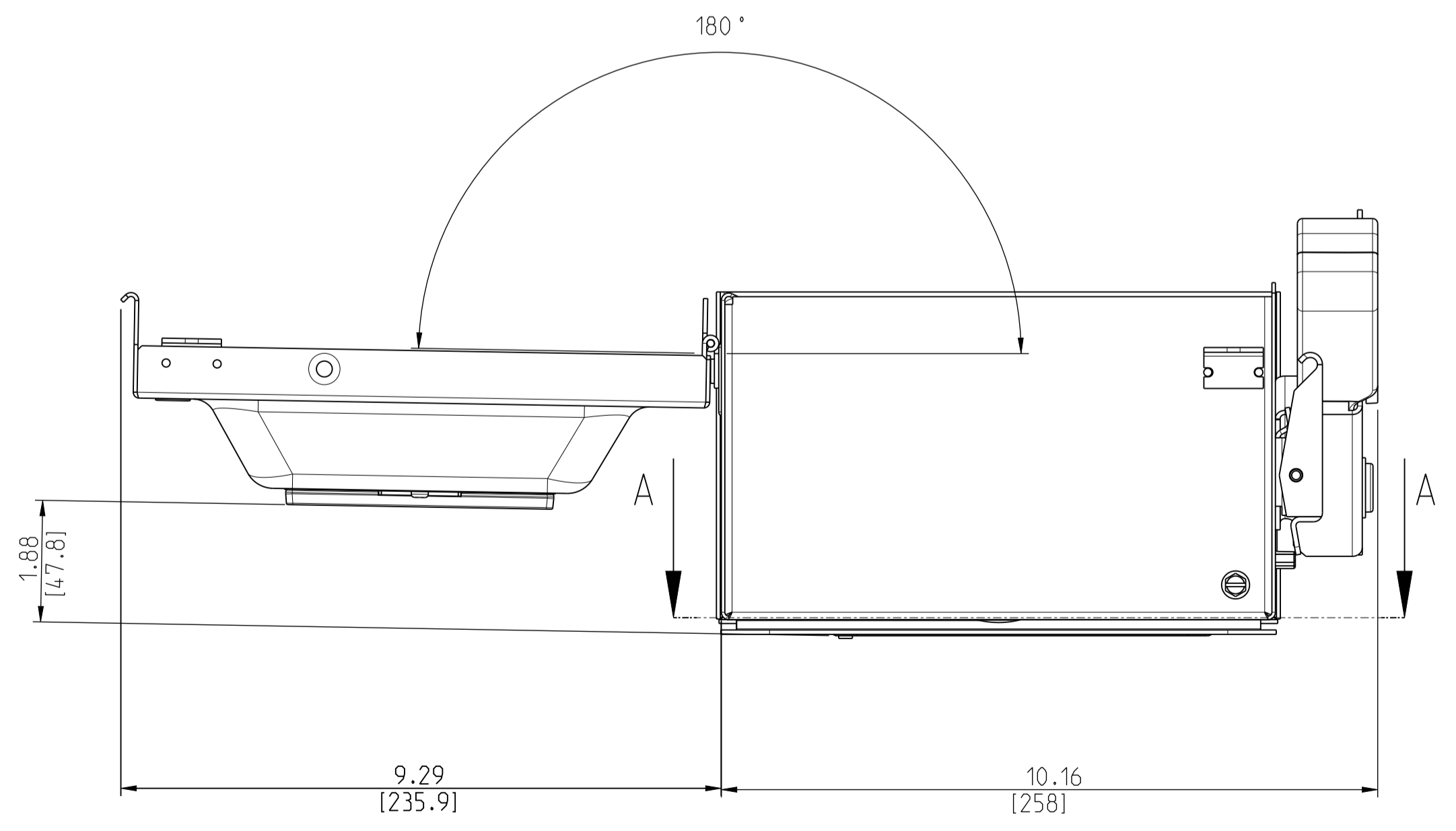
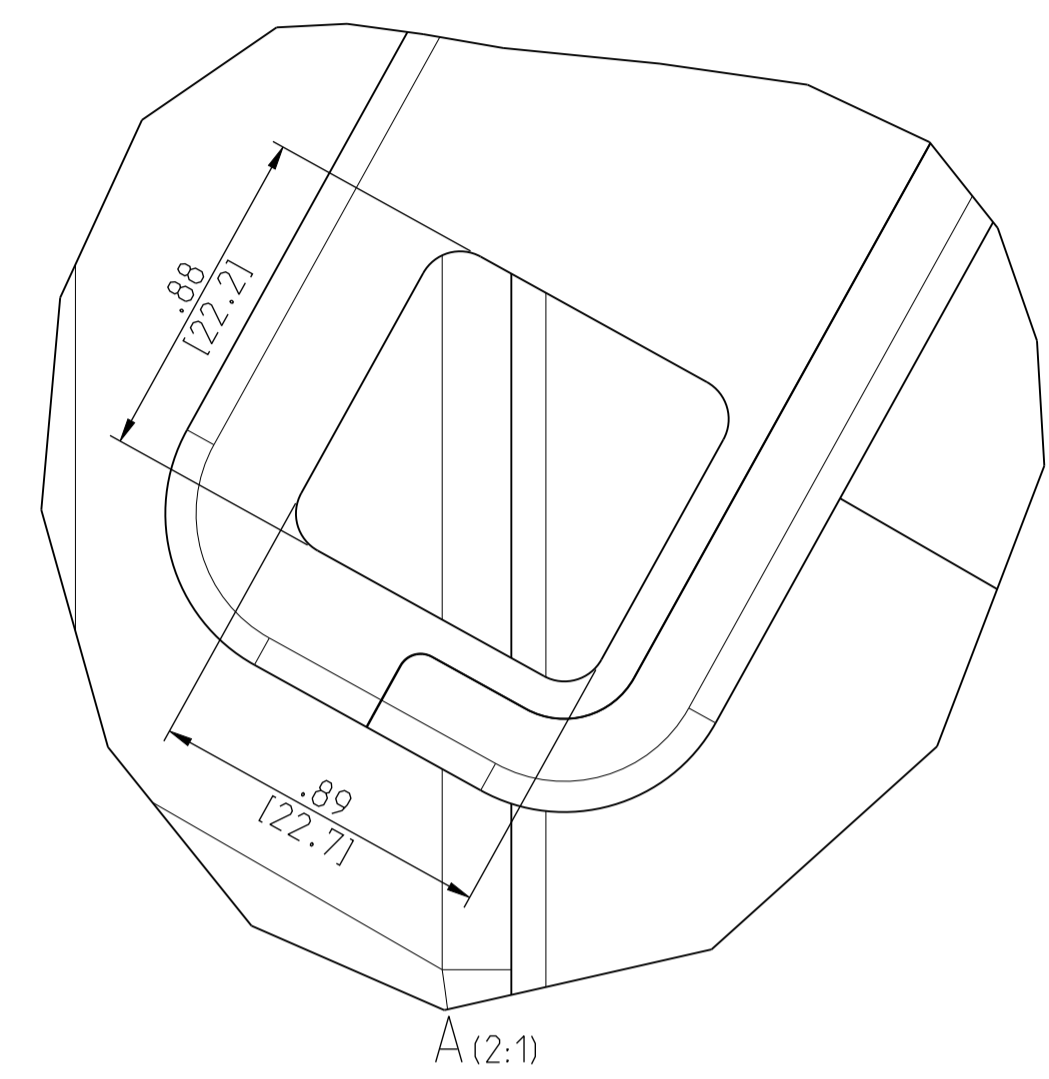
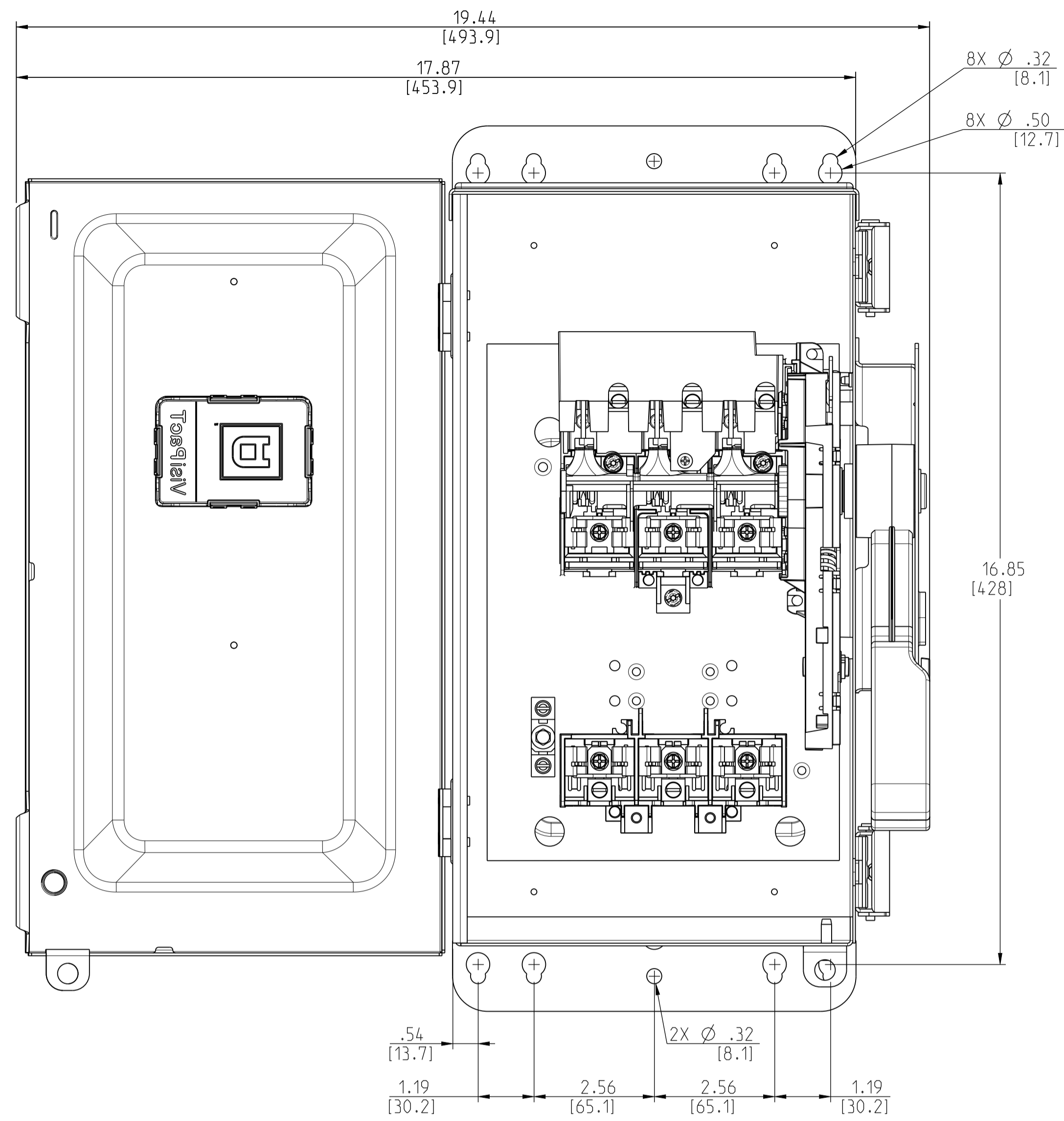


| | | | |
|---|--|------------------------------|----------------------------|
| | Scale: 1:2 | Technical Specification: | Units of measure: in |
| | Document Description: APVH362AWKGL_CUSTOMER-DRAWING | | Doc. Rev. Sheet: 00 1/3 |
| Document Number: APVH362AWKGL_CUSTOMER-DRAWING | | State: Provisional | |

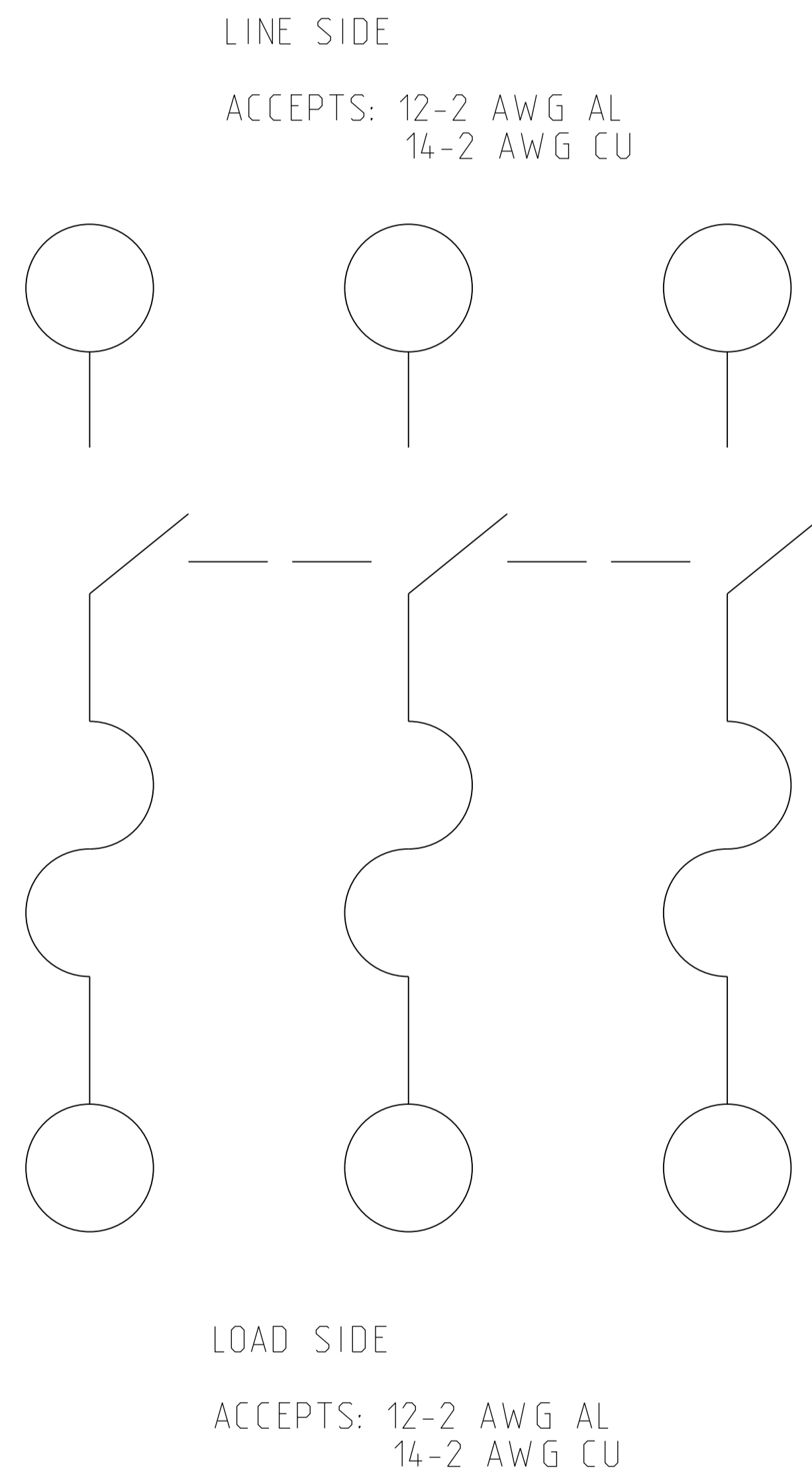
The information is highly confidential and is the exclusive property of Schneider Electric. It is not to be disclosed or reproduced in any way without permission from the Schneider Electric Group. This drawing may not be used for any purpose other than that expressly permitted.



| | | | |
|---|--|--------------------------|----------------------------|
| | Scale: 1:2 | Technical Specification: | Units of measure: in |
| | Document Description: APVH362AWKGL_CUSTOMER-DRAWING | | Doc. Rev. Sheet: 00 2/3 |
| Document Number: APVH362AWKGL_CUSTOMER-DRAWING | | State: | |

The information is highly confidential and is the exclusive property of Schneider Electric. Copyright reserved. This drawing may not be used for any purpose other than that expressly permitted in writing by the owners and may not be disclosed or reproduced in any way without permission from the owners in writing. This drawing may be returned to the owners when the process has ceased.

| CATALOG NUMBER | VOLTAGE RATING | AMPERAGE RATING |
|----------------|----------------|-----------------|
| VH362AWKGL | 600 VAC/VDC | 60A |



| HORSEPOWER RATINGS | | | |
|--------------------|----|-----|-----|
| VOLTS | ∅ | STD | MAX |
| 240V~ | 1 | 3 | 10 |
| 240V~ | 3 | 7.5 | 15 |
| 480V~ | 1 | 5 | 20 |
| 480V~ | 3 | 15 | 30 |
| 600V~ | 3 | 15 | 50 |
| 250V= | -- | 10 | -- |
| 600V= | -- | 25 | 30 |

| ACCESSORIES | | |
|-------------------------|-------------|-----------------------------------|
| KIT | VOLTAGE | PART NUMBER |
| ELECTRICAL INTERLOCK | 600V | EIK1, EIK2 |
| | 240V | EIK031, EIK032 |
| CLASS R FUSE KITS | 600V | RFK03H, RFK06 |
| | 240V | RFK03L |
| INTERNAL BARRIER | 600V | SS06 |
| | 240V | SS03 |
| FUSE PULLER | 600V | FPK0610 |
| | 240V | FPK03 |
| SOLID NEUTRAL ASSEMBLY | 600V | SN0610 for Al SN0610C for Cu |
| | 240V | SN03 for Al SN03C for Cu |
| EQUIPMENT GROUNDING KIT | 600V | GTK0610 for Al GTK0610C for Cu |
| | 240V | GTK03 for Al GTK03C for Cu |
| TOUCH UP PAINT | 600V & 240V | PK49SP |
| LOCK OFF/ON | 600V | LOGK2 |
| | 240V | LOGK1 |
| COPPER LUGS | 600V & 240V | CL0306F |

| | | | |
|---|--|--------------------------|----------------------------|
| | Scale: NTS | Technical Specification: | Units of measure: in |
| | Document Description: APVH362AWKGL_CUSTOMER-DRAWING | | |
| Document Number: APVH362AWKGL_CUSTOMER-DRAWING | | | Doc. Rev. Sheet: 00 3/3 |

The information is highly confidential and is the exclusive property of Schneider Electric. Copyright reserved. This drawing may not be used for any purpose other than that expressly permitted in writing by the owners and may not be disclosed or reproduced in any way without permission from the owners in writing. This drawing may be returned to the owners when the contract has ended.