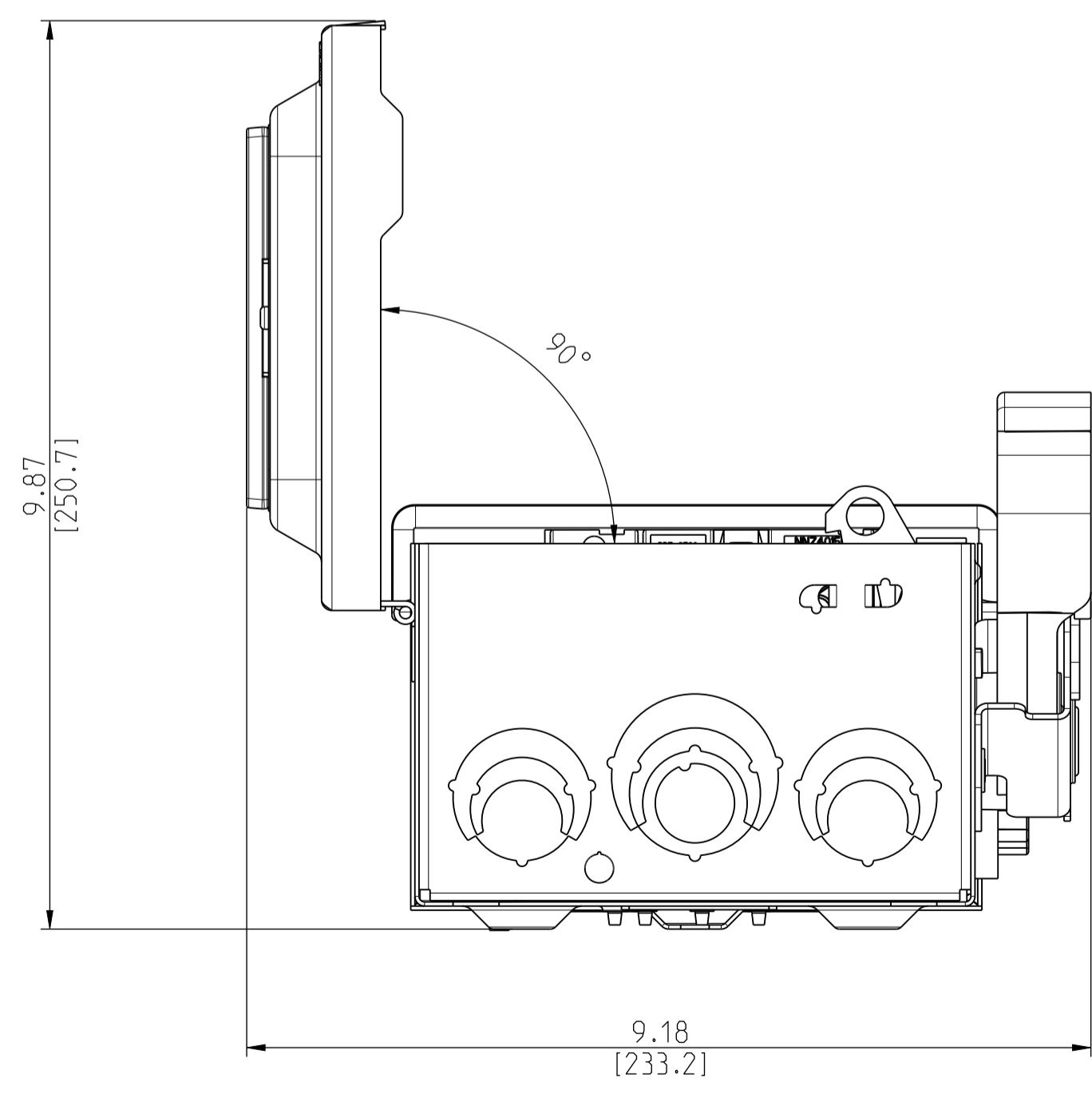
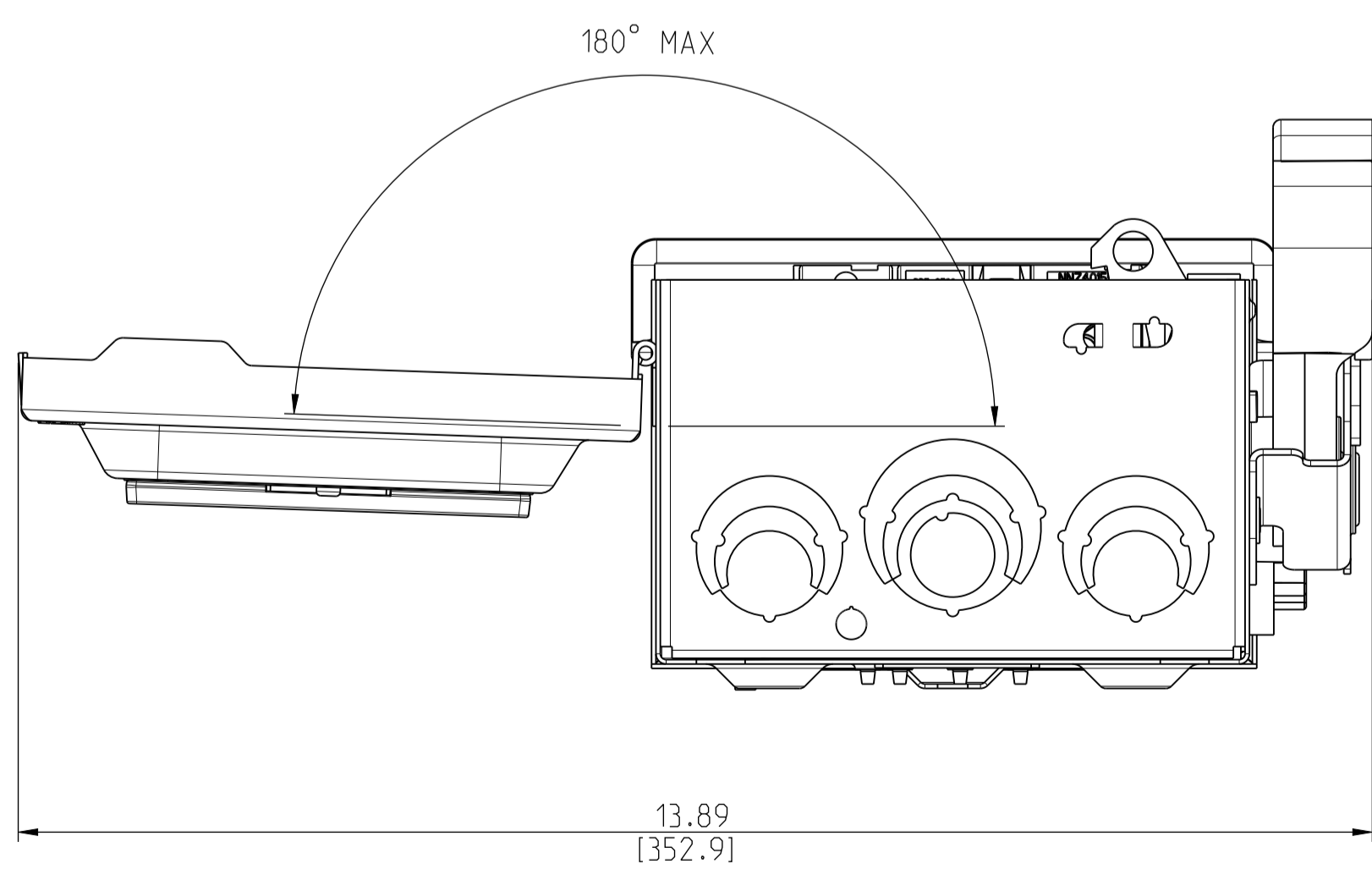
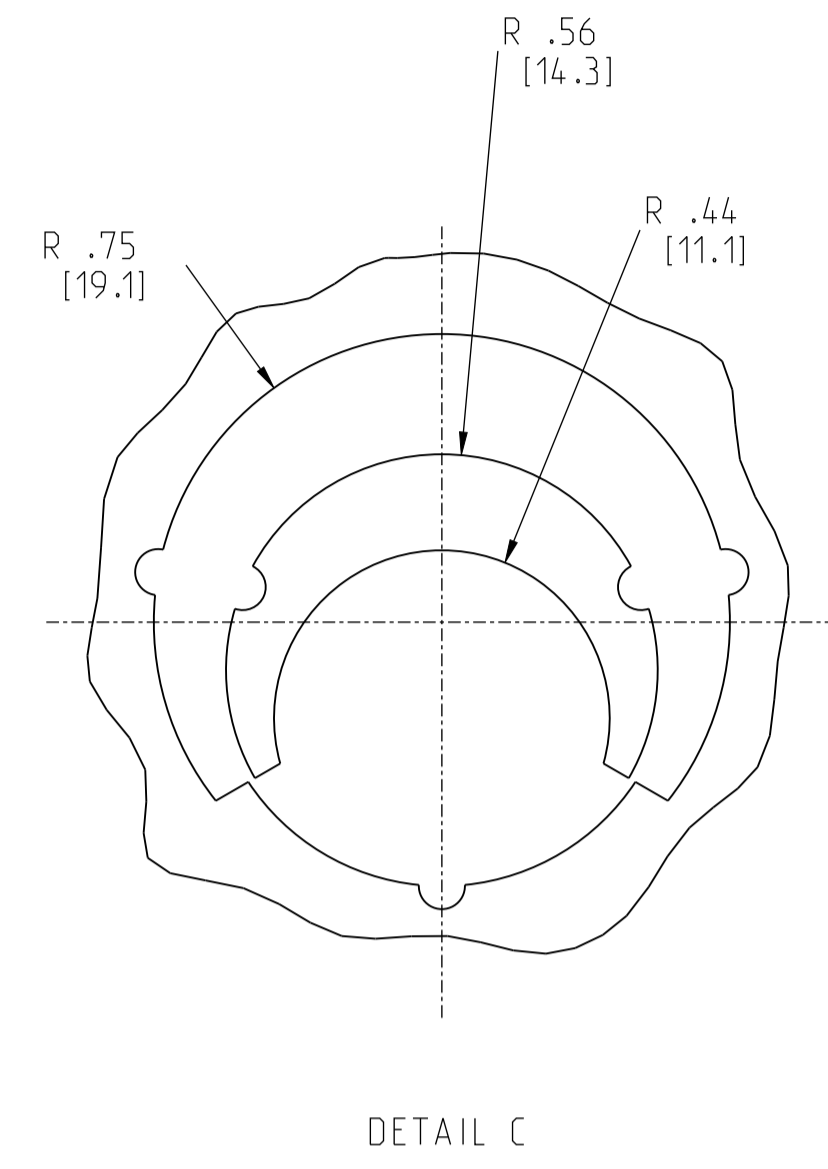
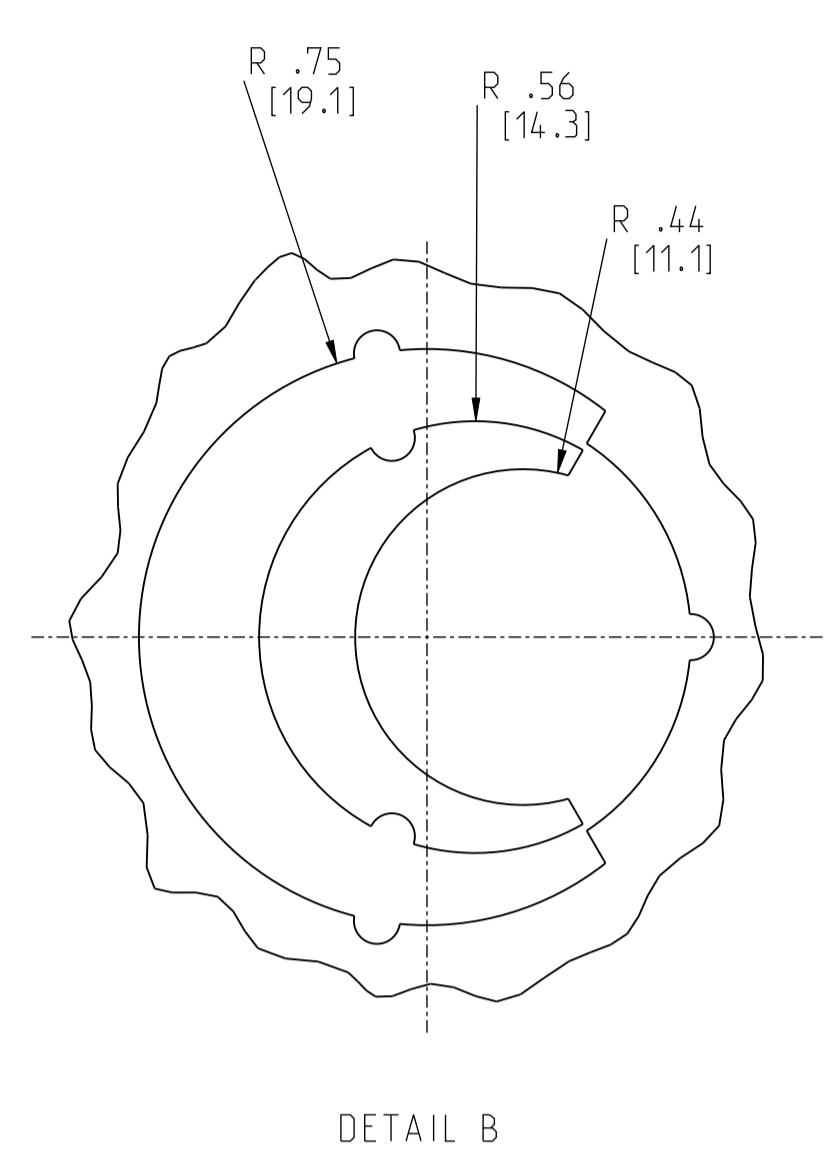
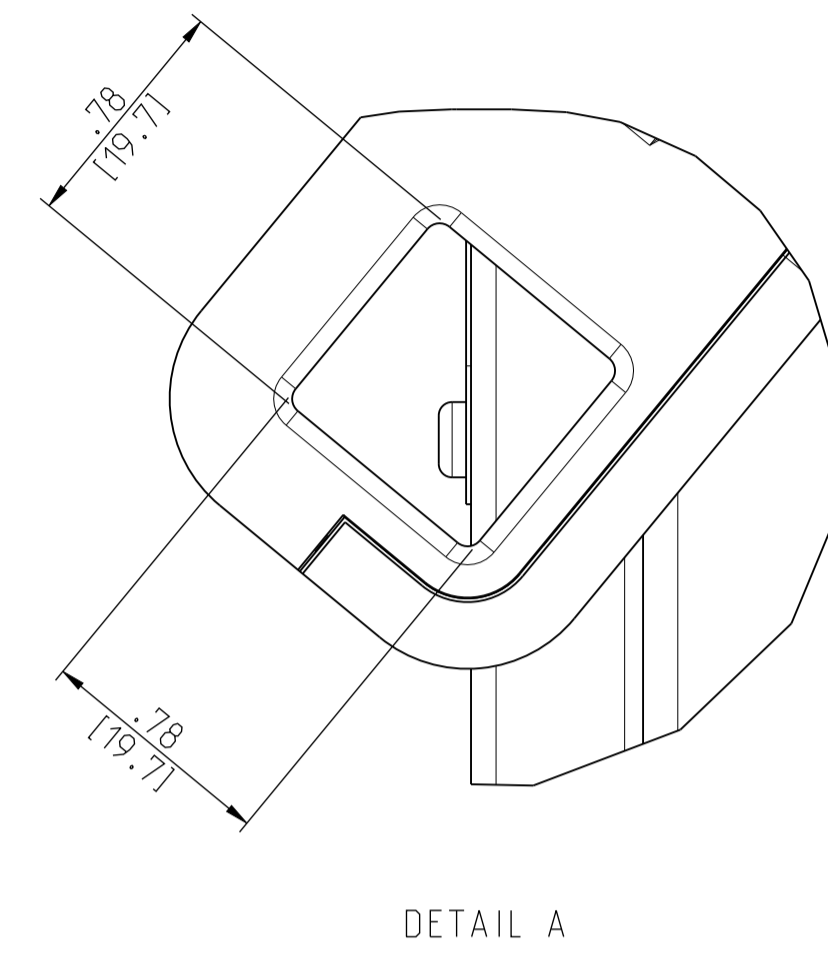
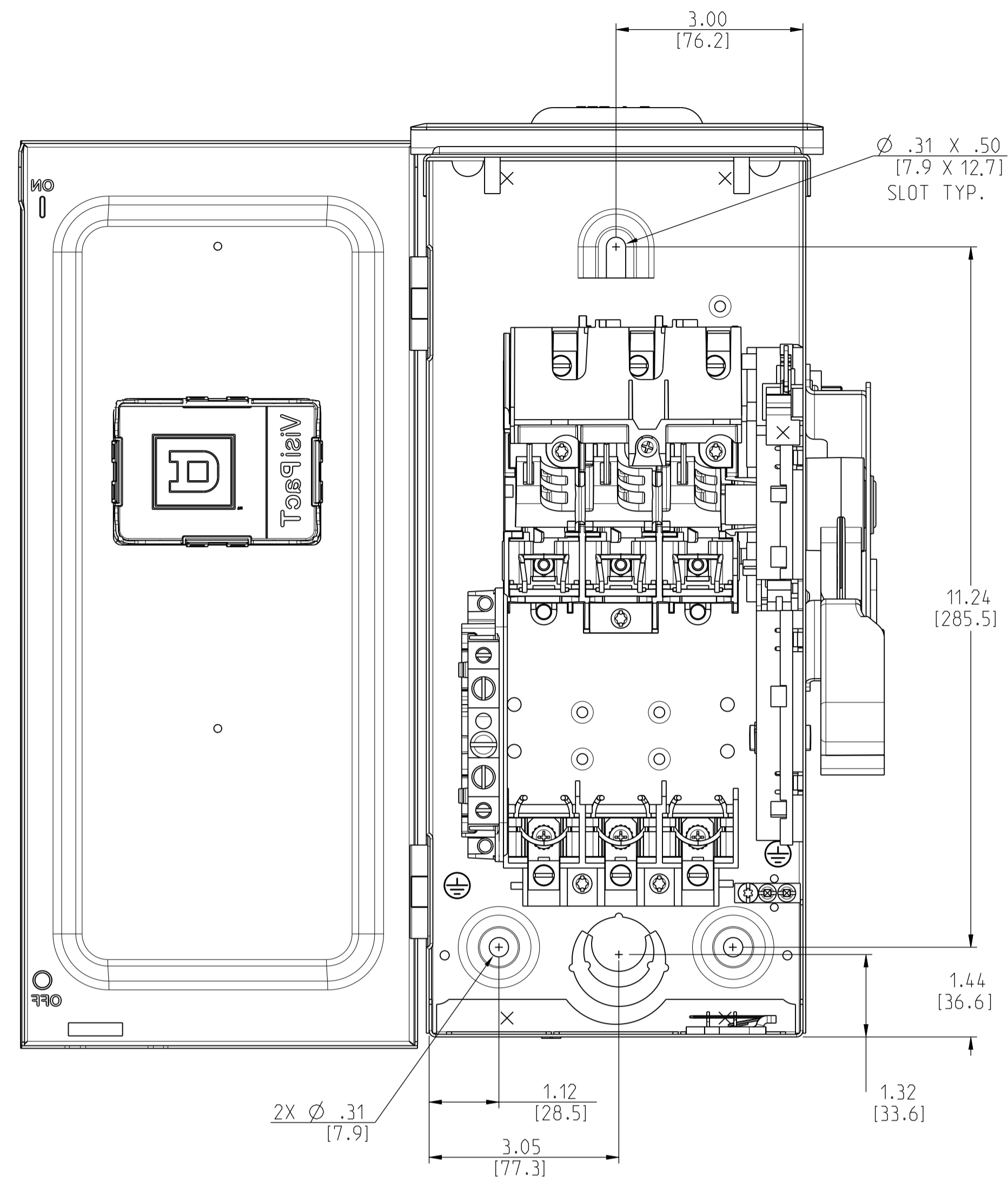


| | | | |
|---|------------|---|---------------------------|
| | Scale: NTS | Technical Specification: | Units of measure : in |
| Schneider Electric | | Document Description: APVH361BRBGL_CUSTOMER-DRAWING | |
| | | Document Number: APVH361BRBGL_CUSTOMER-DRAWING | Doc. Rev. 00 Sheet 1/3 |
| <small>The information is highly confidential and is the exclusive property of Schneider Electric. It is not to be disclosed or reproduced in any way without permission from the Schneider Electric. This drawing must not be used for any purpose other than that expressly permitted in writing by the supplier and may not be disclosed or reproduced in any way without permission from the supplier in writing. This drawing must not be used for any purpose other than that expressly permitted in writing by the supplier and may not be disclosed or reproduced in any way without permission from the supplier in writing.</small> | | | State: Provisional |



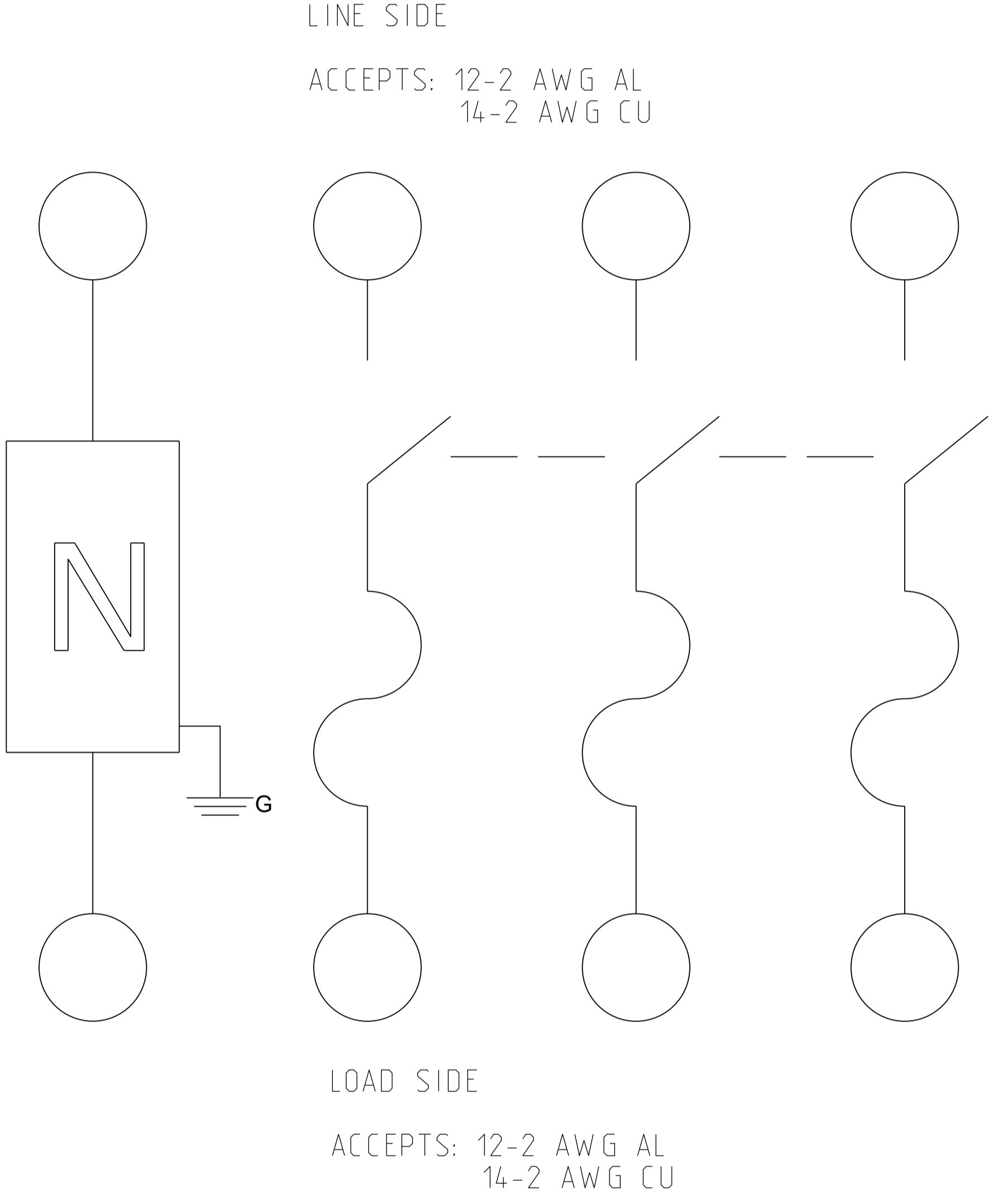
| | | | |
|--|---|--------------------------|-------------------------|
| | Scale: NTS | Technical Specification: | Units of measure: in |
| | Document Description: APVH361BRBGL_CUSTOMER-DRAWING | | |
| Document Number: APVH361BRBGL_CUSTOMER-DRAWING | | Doc. Rev.: | Sheet: |
| | | 00 | 2/3 |

The information is highly confidential and is the exclusive property of Schneider Electric. Copyright reserved. This drawing may not be used for any purpose other than that expressly permitted in writing by the owners and may not be disclosed or reproduced in any way without permission from the owners in writing. This drawing may be returned to the owners when the process has ended.

| CATALOG NUMBER | VOLTAGE RATING | AMPERAGE RATING |
|----------------|----------------|-----------------|
| VH361BRBGL | 600VAC/VDC | 30 |

| HORSEPOWER RATINGS | | | |
|--------------------|----|-----|-----|
| VOLTS | Ø | STD | MAX |
| 480V~ | 1 | 3 | 7.5 |
| 480V~ | 3 | 5 | 15 |
| 600V~ | 3 | 7.5 | 20 |
| 250V= | -- | 5 | -- |
| 600V= | -- | 10 | 15 |

| KIT | VOLTAGE | PART NUMBER |
|-------------------------|-------------|-------------------------------|
| ELECTRICAL INTERLOCK | 600V & 240V | EIK031, EIK032 |
| CLASS R FUSE KITS | 600V | RFK03L, RFK06 |
| | 240V | RFK03L |
| INTERNAL BARRIER | 600V & 240V | SS03 |
| FUSE PULLER | 600V & 240V | FPK03 |
| SOLID NEUTRAL ASSEMBLY | 600V & 240V | SN03 for Al SN03C for Cu |
| EQUIPMENT GROUNDING KIT | 600V & 240V | GTK03 for Al GTK03C for Cu |
| TOUCH UP PAINT | 600V & 240V | PK49SP |
| LOCK OFF/ON | 600V & 240V | LOGK1 |
| COPPER LUGS | 600V & 240V | CL0306F |



| | | | |
|---|--|--------------------------|-------------------------|
| | Scale: NTS | Technical Specification: | Units of measure: in |
| | Document Description: APVH361BRBGL_CUSTOMER-DRAWING | | |
| Document Number: APVH361BRBGL_CUSTOMER-DRAWING | | Doc. Rev. 00 | Sheet: 3/3 |

The information is highly confidential and is the exclusive property of Schneider Electric. It is not to be disclosed or reproduced in any way without permission from the Schneider Electric Group. This drawing shall be used for all purposes other than that expressly permitted in writing by the users and shall not be disclosed or reproduced in any way without permission from the Schneider Electric Group. This drawing shall be returned to the issuer when the project has ended.