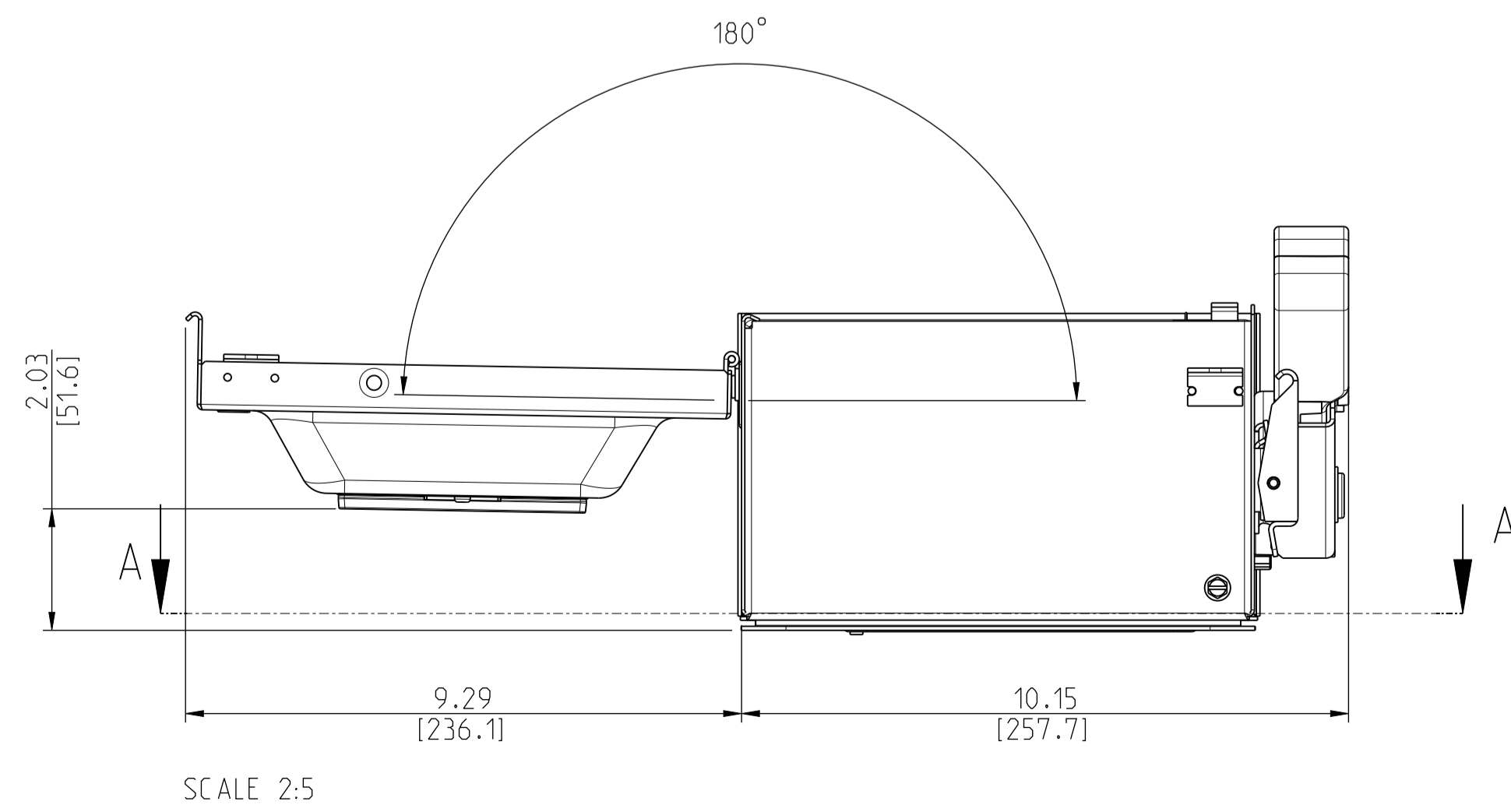
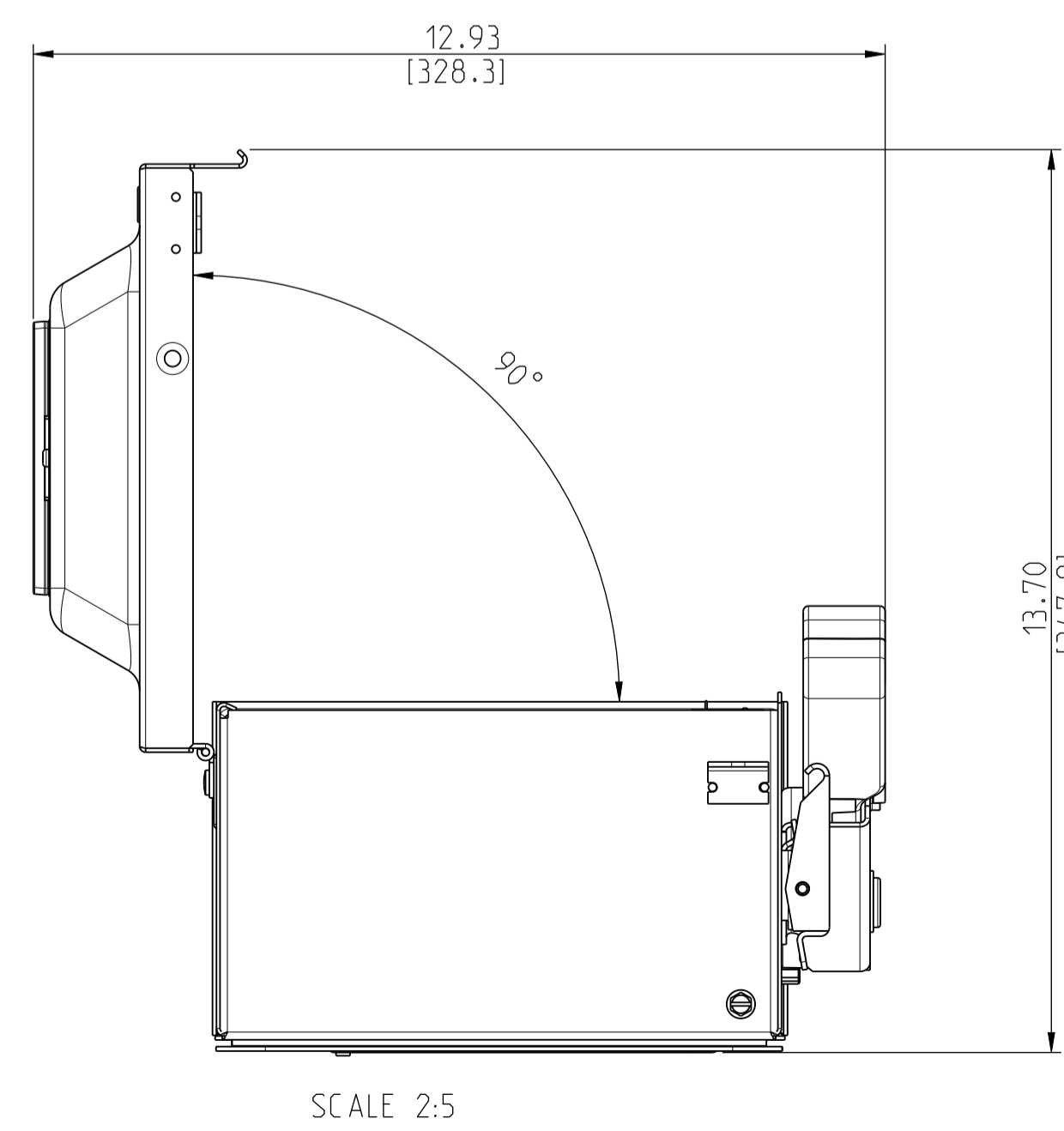
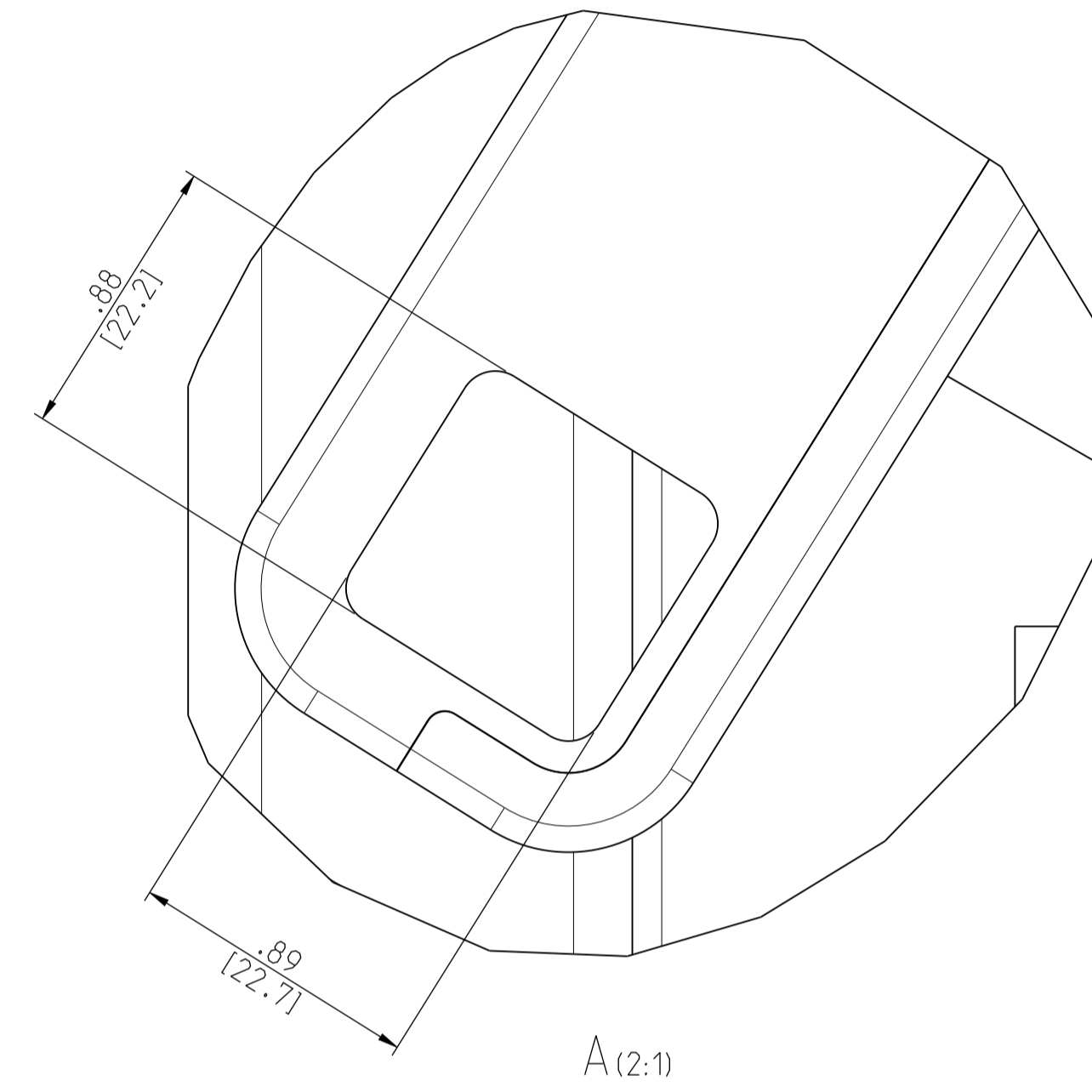
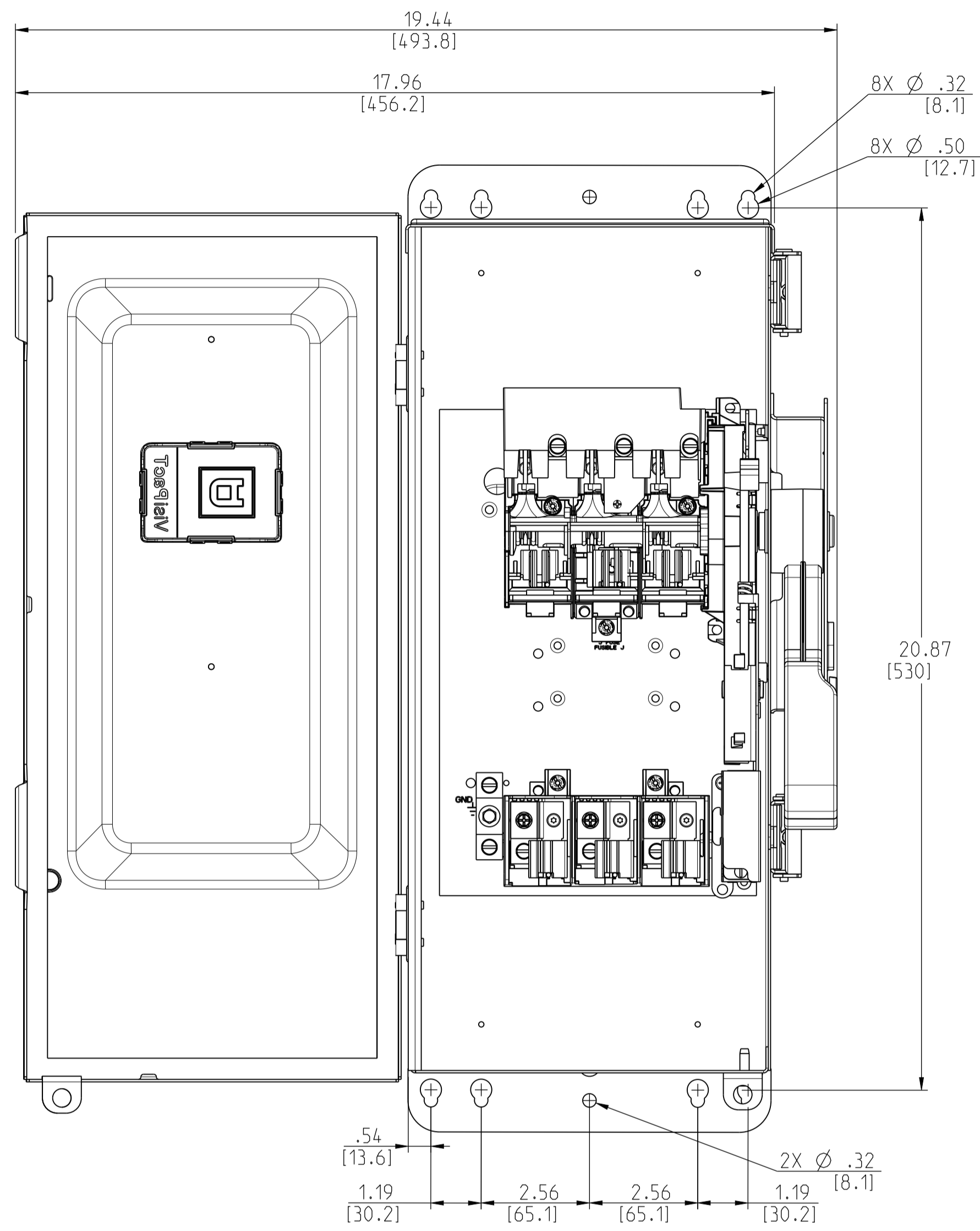


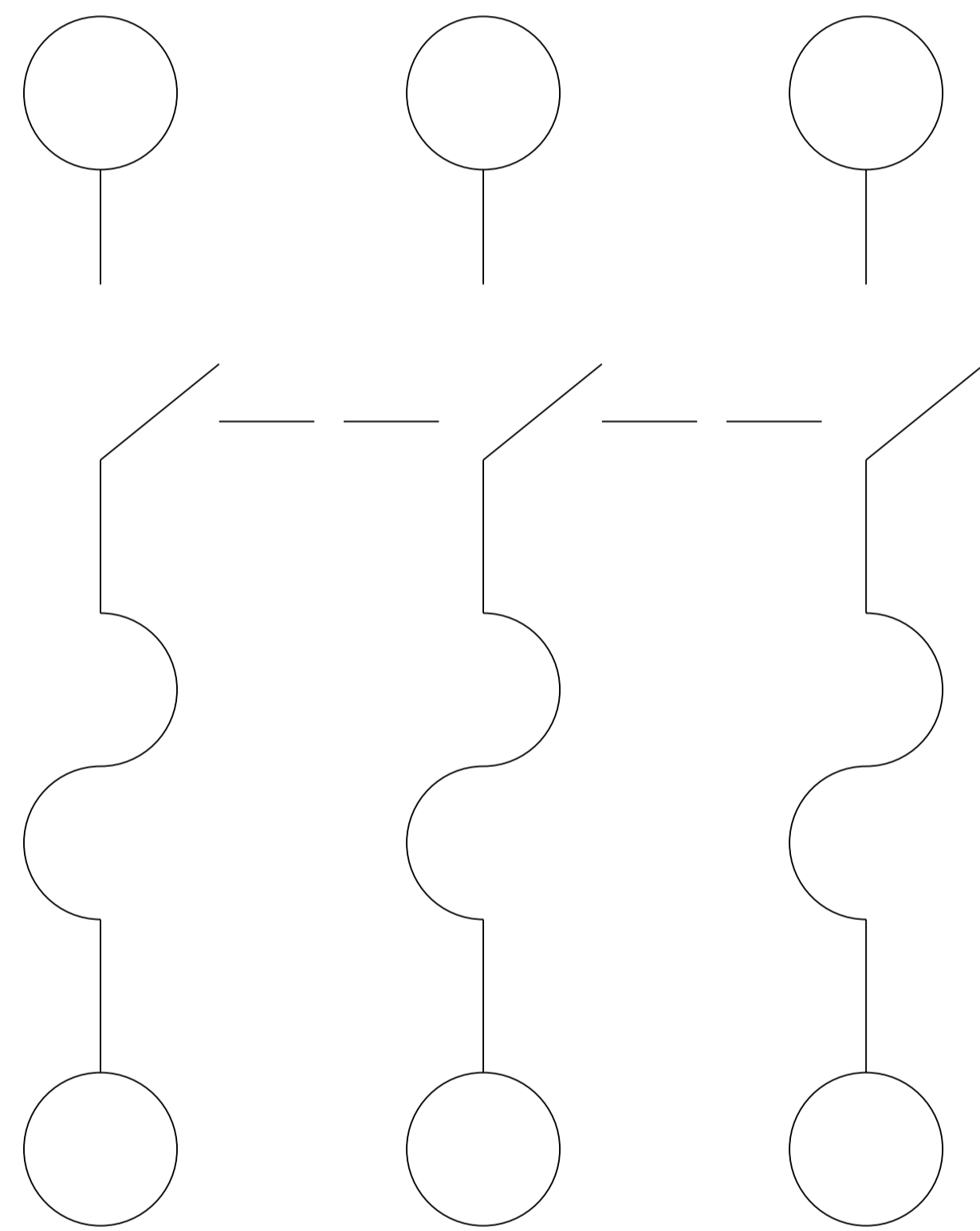
| | | | |
|-------------------------------------------------------------------------------------------------------------------------------------------------------------------------------------------------------------------------------------------------------------------------------------------------------------------------------------------------------------------------------------------------------------------|--------------------------------------------------------|--------------------------|---------------------------|
| | Scale: 1:1 | Technical Specification: | Units of measure: inch |
| | Document Description: APVH323AWKGL_CUSTOMER-DRAWING | | |
| Document Number: APVH323AWKGL_CUSTOMER-DRAWING | | Doc. Rev. 00 | Sheet: 1/3 |
| <small>The information is highly confidential and is the exclusive property of Schneider Electric. Copyright reserved. This drawing may not be used for any purpose other than that expressly permitted in writing by the owners and may not be disclosed or reproduced in any way without permission from the owners in writing. This drawing may be returned to the owners when the process has ceased.</small> | | | State: |



| | | | |
|-----------------------------------------------------------------------------------------------------------------------------------------------------------------------------------------------------------------------------------------------------------------------------------------------------------------------------------------------------------------------------------------------------------------|------------|-----------------------------------------------------|-------------------------|
| | Scale: 1:1 | Technical Specification: | Units of measure: inch |
| Schneider Electric | | Document Description: APVH323AWKGL_CUSTOMER-DRAWING | |
| | | Document Number: APVH323AWKGL_CUSTOMER-DRAWING | Doc. Rev. 00 Sheet: 2/3 |
| <small>The information is highly confidential and is the exclusive property of Schneider Electric. Copyright reserved. This drawing may not be used for any purpose other than that expressly permitted in writing by the owner and may not be disclosed or reproduced in any way without permission from the owner. In addition, this drawing may be referred to the owner when the product is copied.</small> | | State: | |

LINE SIDE

ACCEPTS: 12-1/0 AWG AL
14-1/0 AWG CU



LOAD SIDE

ACCEPTS: 12-1/0 AWG AL
14-1/0 AWG CU

| CATALOG NUMBER | VOLTAGE RATING | AMPERAGE RATING |
|----------------|----------------|-----------------|
| VH323AWKGL | 240VAC/VDC | 100A |

| HORSEPOWER RATINGS | | | |
|--------------------|---|-----|-----|
| VOLTS | Ø | STD | MAX |
| 240V~ | 1 | 7.5 | 15 |
| 240V~ | 3 | 15 | 30 |
| 250V= | | 20 | |

| ACCESORIES | | |
|-------------------------|-------------|------------------------------------------|
| KIT | VOLTAGE | PART NUMBER |
| ELECTRICAL INTERLOCK | 600V & 240V | EIK1, EIK2 |
| CLASS R FUSE KITS | 600V & 240V | RFK10 |
| INTERNAL BARRIER | 600V & 240V | SS10 |
| FUSE PULLER | 600V & 240V | JFPK0610 |
| SOLID NEUTRAL ASSEMBLY | 600V & 240V | SN0610 for Al SN0610C for Cu |
| EQUIPMENT GROUNDING KIT | 600V & 240V | GTK0610 for Al GTK0610C for Cu |
| TOUCH UP PAINT | 600V & 240V | PK49SP |
| LOCK OFF/ON | 600V & 240V | LOGK2 |
| COPPER LUGS | 600V & 240V | CL10F |
| COMPRESSION LUGS | 600V & 240V | VCEL02114S1 for Al VCEL02114S1 for Cu |

| | | | |
|---------------------------------------------------|--------------------------------------------------------|--------------------------|----------------------------|
| | Scale: NTS | Technical Specification: | Units of measure: in |
| | Document Description: APVH323AWKGL_CUSTOMER-DRAWING | | Doc. Rev. Sheet: 00 3/3 |
| Document Number: APVH323AWKGL_CUSTOMER-DRAWING | | State: | |

The information is highly confidential and is the exclusive property of Schneider Electric. Copyright reserved. This drawing may not be used for any purpose other than that expressly permitted in writing by the owners and may not be disclosed or reproduced in any way without permission from the owners in writing. This drawing may be returned to the owners when the drawing has expired.