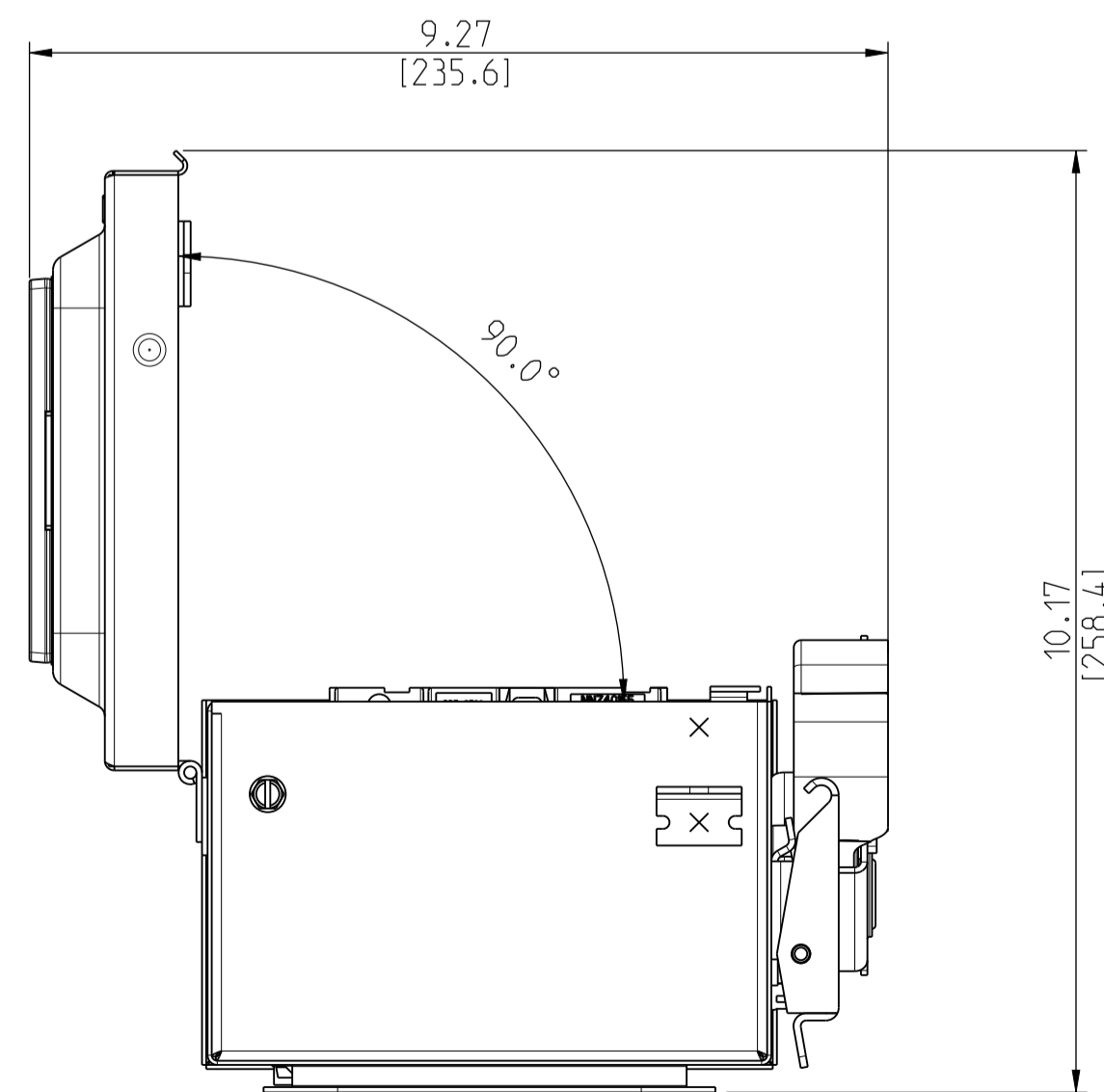
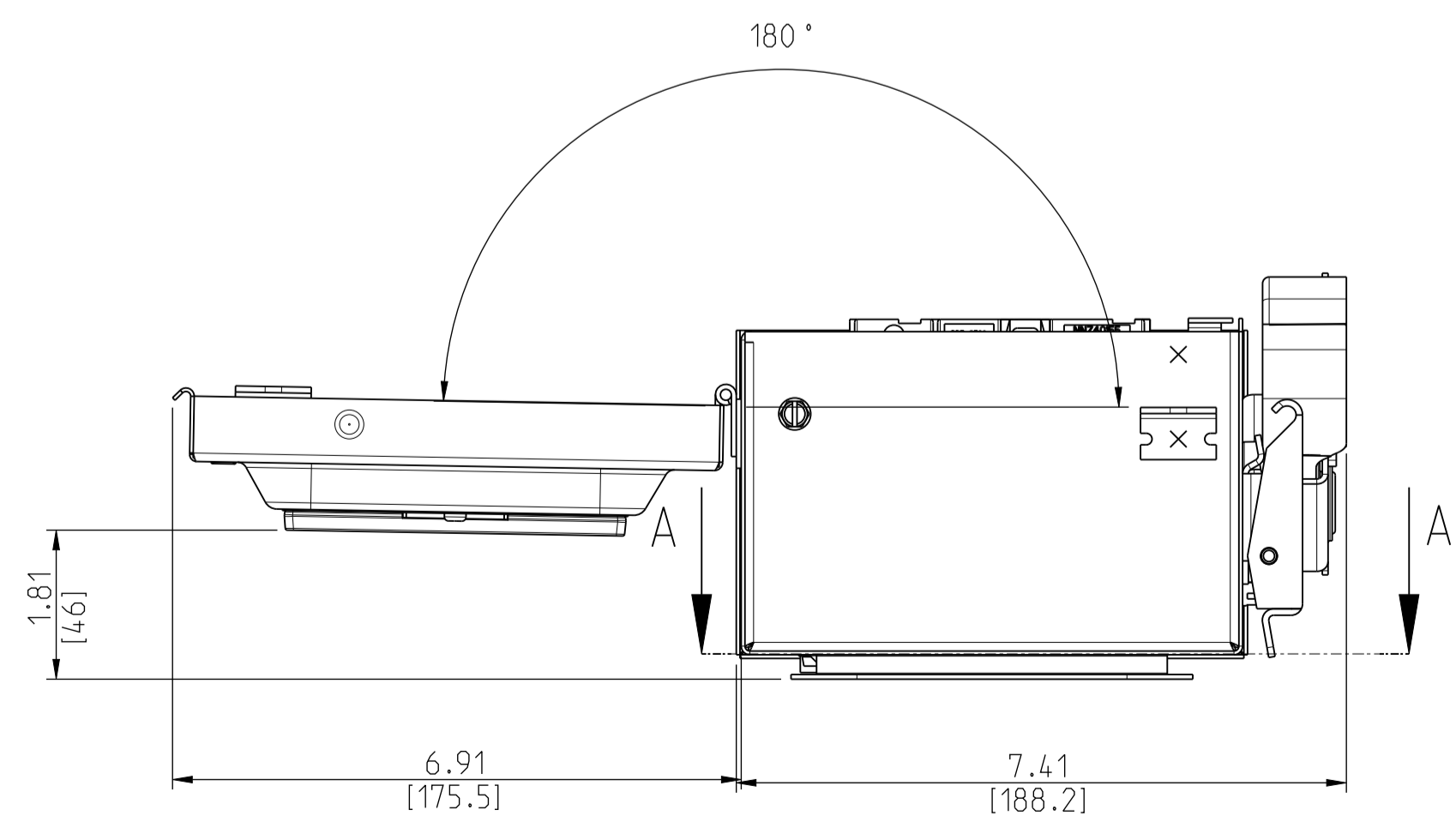
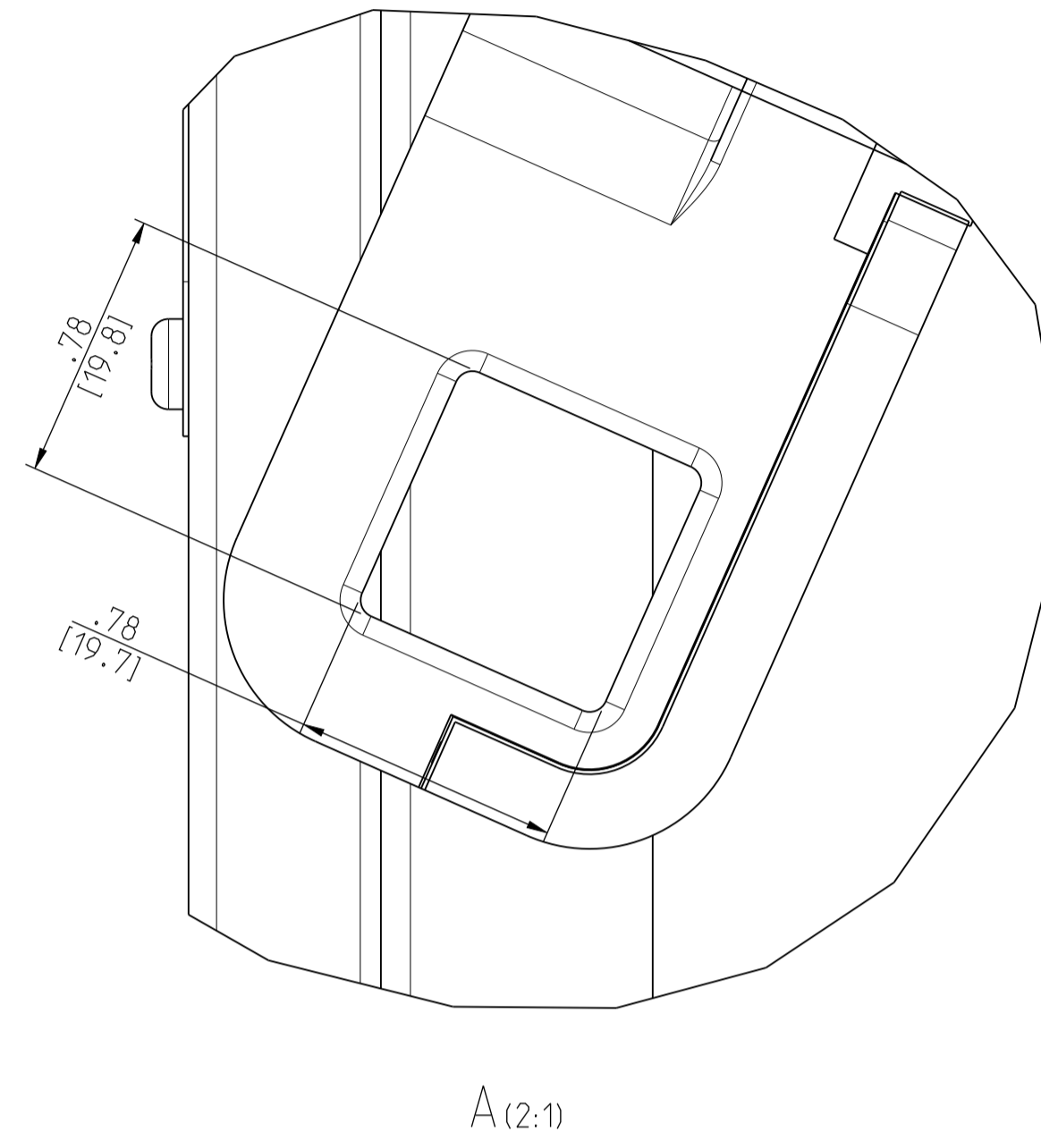
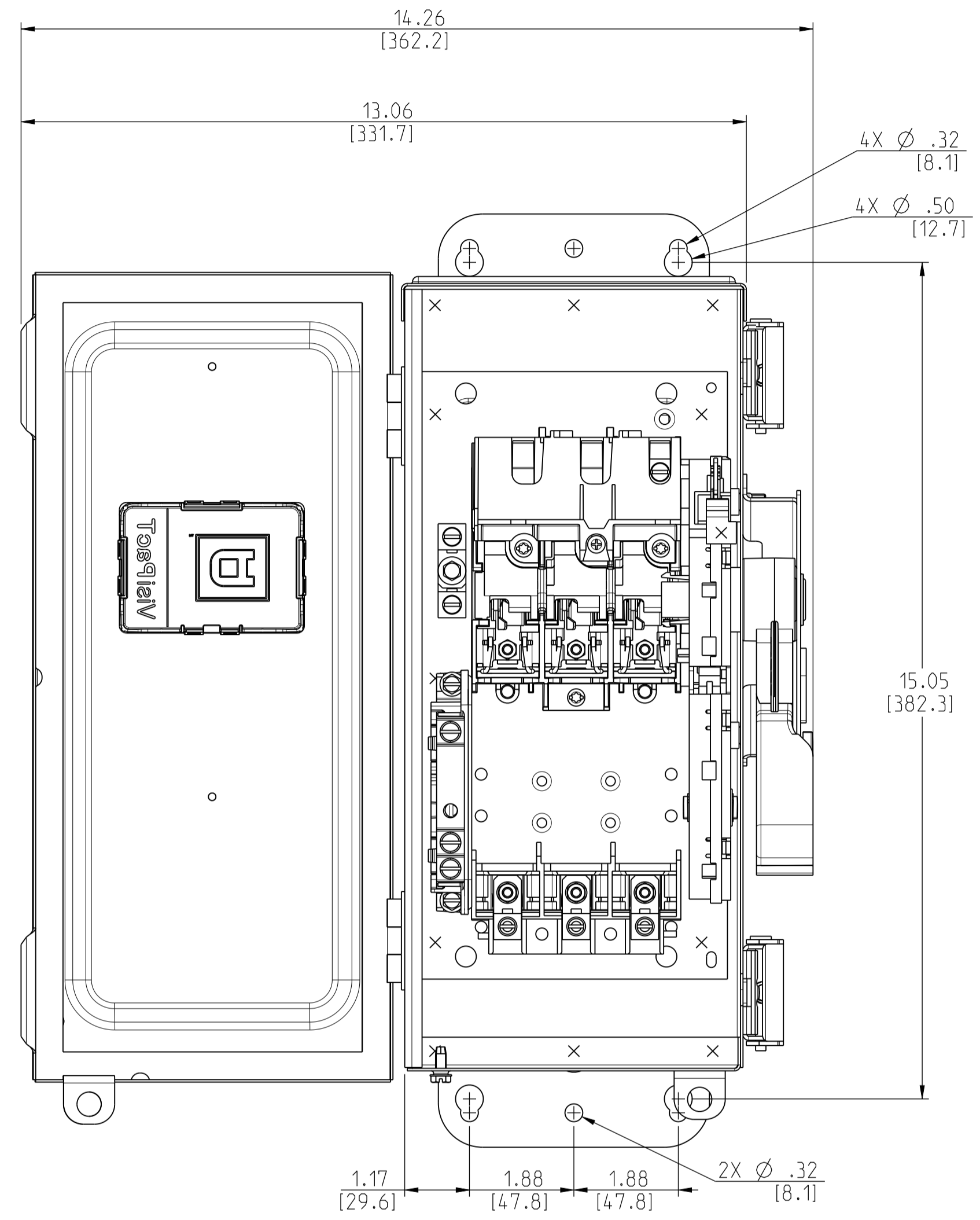


	Scale: 1:2	Technical Specification:	Units of measure: in
	Document Description: <b>APVH322NAWKGL_CUSTOMER-DRAWING</b>		Doc. Rev. Sheet: <b>00</b> 1/3
Document Number: <b>APVH322NAWKGL_CUSTOMER-DRAWING</b>		State:	

The information is highly confidential and is the exclusive property of Schneider Electric. Copyright reserved. This drawing may not be used for any purpose other than the expressly permitted in writing by the client and may not be disclosed or reproduced in any way without permission from the client. This drawing shall be returned to the client when the contract is closed.



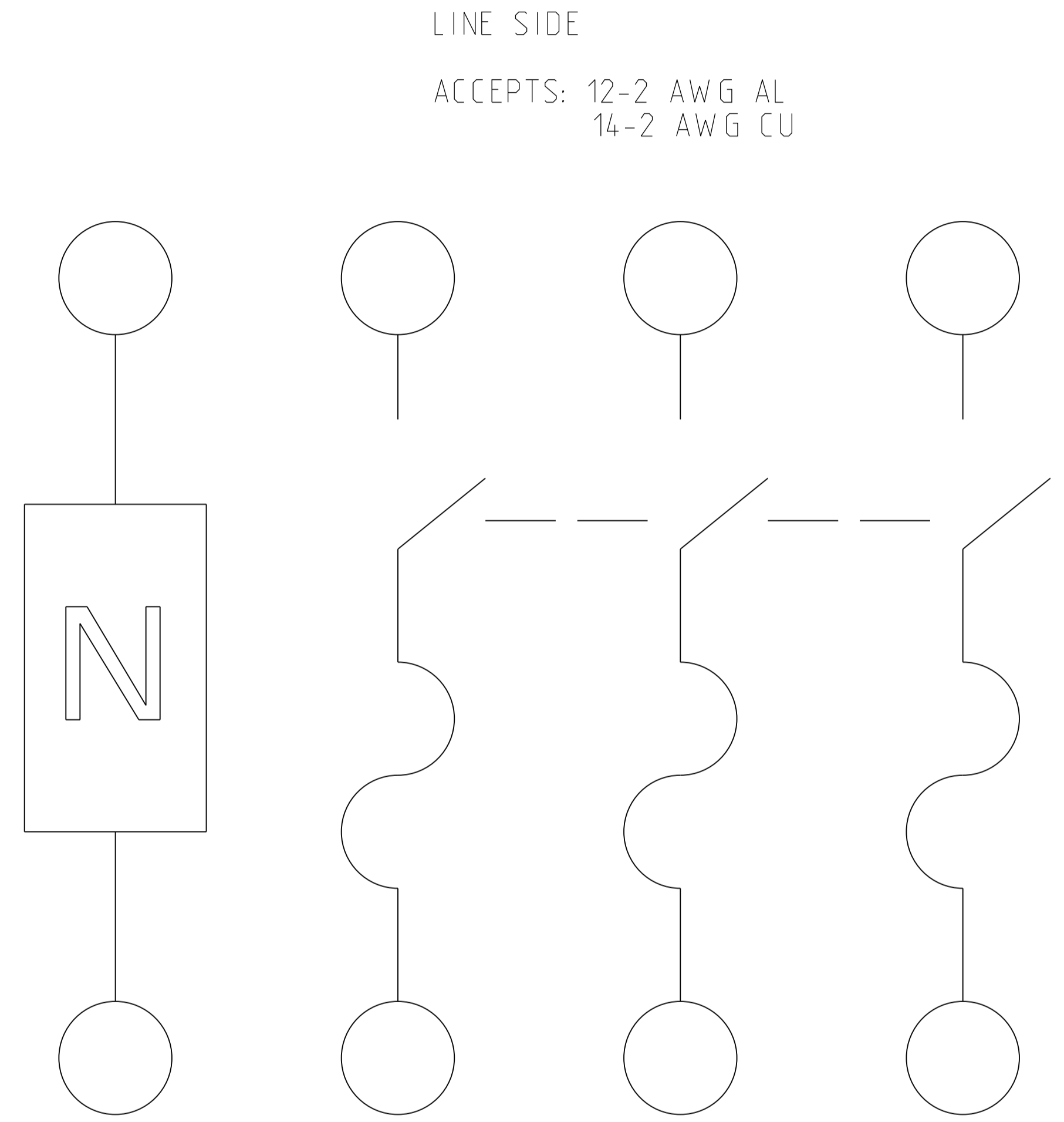
	Scale: 1:2	Technical Specification:	Units of measure: in
	Document Description: APVH322NAWKGL_CUSTOMER-DRAWING		
Document Number: APVH322NAWKGL_CUSTOMER-DRAWING		Doc. Rev.:	Sheet: 2/3
<small>The information is highly confidential and is the exclusive property of Schneider Electric. Copyright reserved. This drawing must not be used for any purpose other than that expressly permitted in writing by the owners and must not be disclosed or reproduced in any way without permission from the owners in writing. This drawing must be returned to the owners when the project has closed.</small>		State:	

CATALOG NUMBER	VOLTAGE RATING	AMPERAGE RATING	ENCLOSURE RATING
VH322NAWKGL	240VAC 250VDC	60A	TYPE 12

HORSEPOWER RATINGS			
VOLTS	Ø	STD	MAX
120V~	1	1.5	3
*240V~	1	3	10
**240V~	3	7.5	15
*125V =	--	5	--
*250V =	--	10	--

\*USE BOTH SWITCHING POLES  
 \*\*FOR CORNER GROUNDED DELTA ONLY, USE SWITCHING POLES FOR UNGROUNDED CONDUCTORS

KIT	VOLTAGE	PART NUMBER
ELECTRICAL INTERLOCK	600V	EIK1, EIK2
	240V	EIK031, EIK032
CLASS R FUSE KITS	600V	RFK03H, RFK06
	240V	RFK03L
INTERNAL BARRIER	600V	SS06
	240V	SS03
FUSE PULLER	600V	FPK0610
	240V	FPK03
SOLID NEUTRAL ASSEMBLY	600V	SN0610 for Al SN0610C for Cu
		FOR CANADA: CSN0610 for Al CSN0610C for Cu
EQUIPMENT GROUNDING KIT	600V	SN03 for Al SN03C for Cu
		FOR CANADA: CSN03 for Al CSN03C for Cu
TOUCH UP PAINT	600V & 240V	PK49SP
	600V	LOGK2
LOCK OFF/ON	240V	LOGK1
	600V & 240V	CL0306F



**NOTES:**  
 FINISH - GALVANNEAL STEEL, GRAY BAKED ENAMEL  
 LUGS SUITABLE FOR 60°C OR 75°C AL-CU CONDUCTORS  
 SHORT CIRCUIT CURRENT RATINGS:  
 10,000 RMS SYMMETRICAL AMPERES WHEN USED IN CONJUNCTION WITH CLASS H OR K FUSES. 200,000 RMS SYMMETRICAL AMPERES WHEN USED IN CONJUNCTION WITH CLASS R, J OR T FUSES.  
 cULus LISTED - FILE E2875  
 SEISMIC NOTES:  
 USE (4) 1/4" DIA GRADE 5 STEEL MOUNTING BOLTS AT SWITCH MOUNTING HOLES. MAX CONFIGURED WEIGHT 18 LB FOR THE PURPOSE OF DETERMINING SEISMIC ANCHORAGE REQUIREMENTS. FOR ALL OTHER APPLICATIONS, CONTACT SQUARE D COMPANY.

	Scale: NTS	Technical Specification:	Units of measure: in
	Document Description: APVH322NAWKGL_CUSTOMER-DRAWING		Doc. Rev. Sheet: 00 3/3
Document Number: APVH322NAWKGL_CUSTOMER-DRAWING		State:	