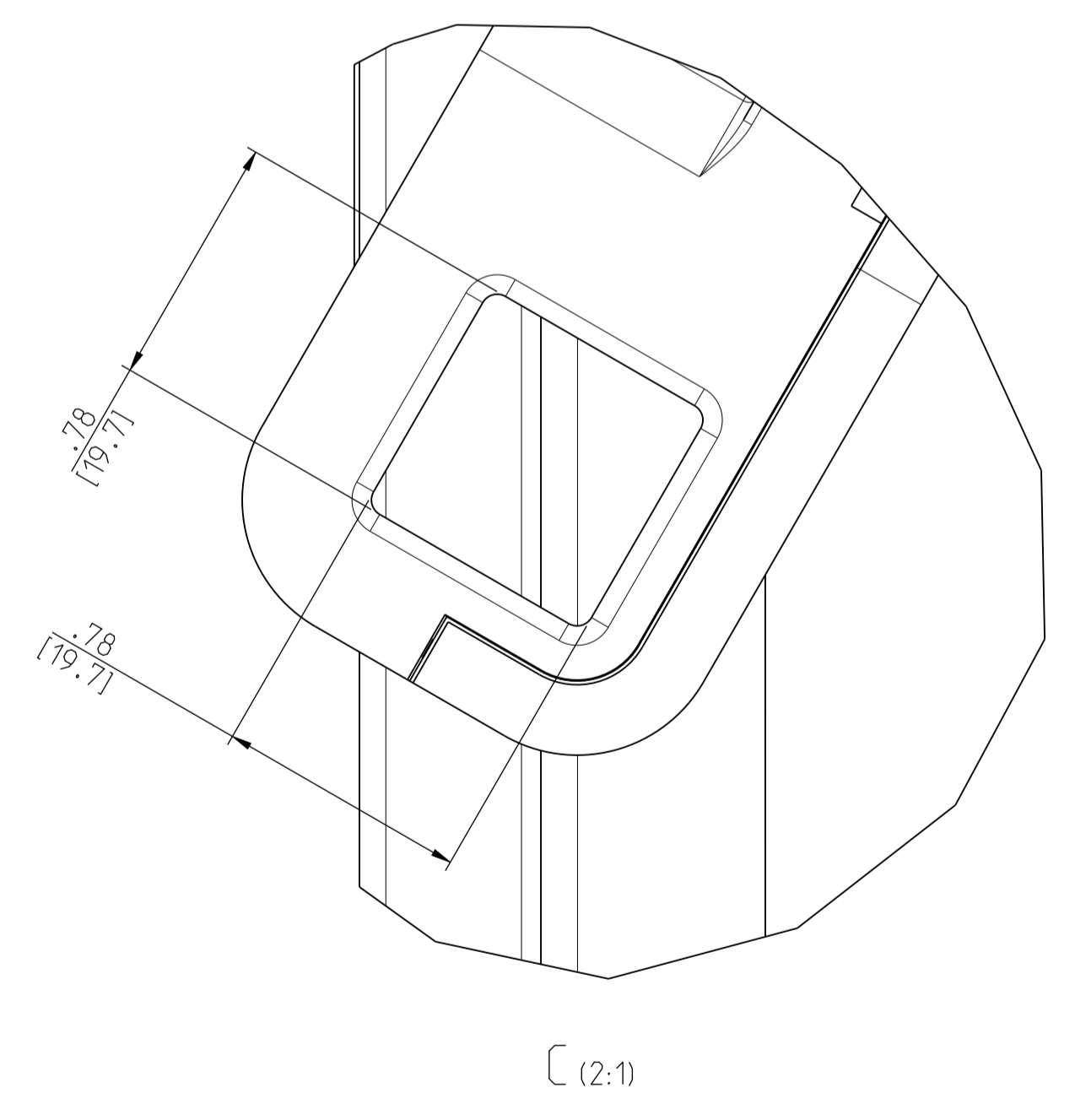
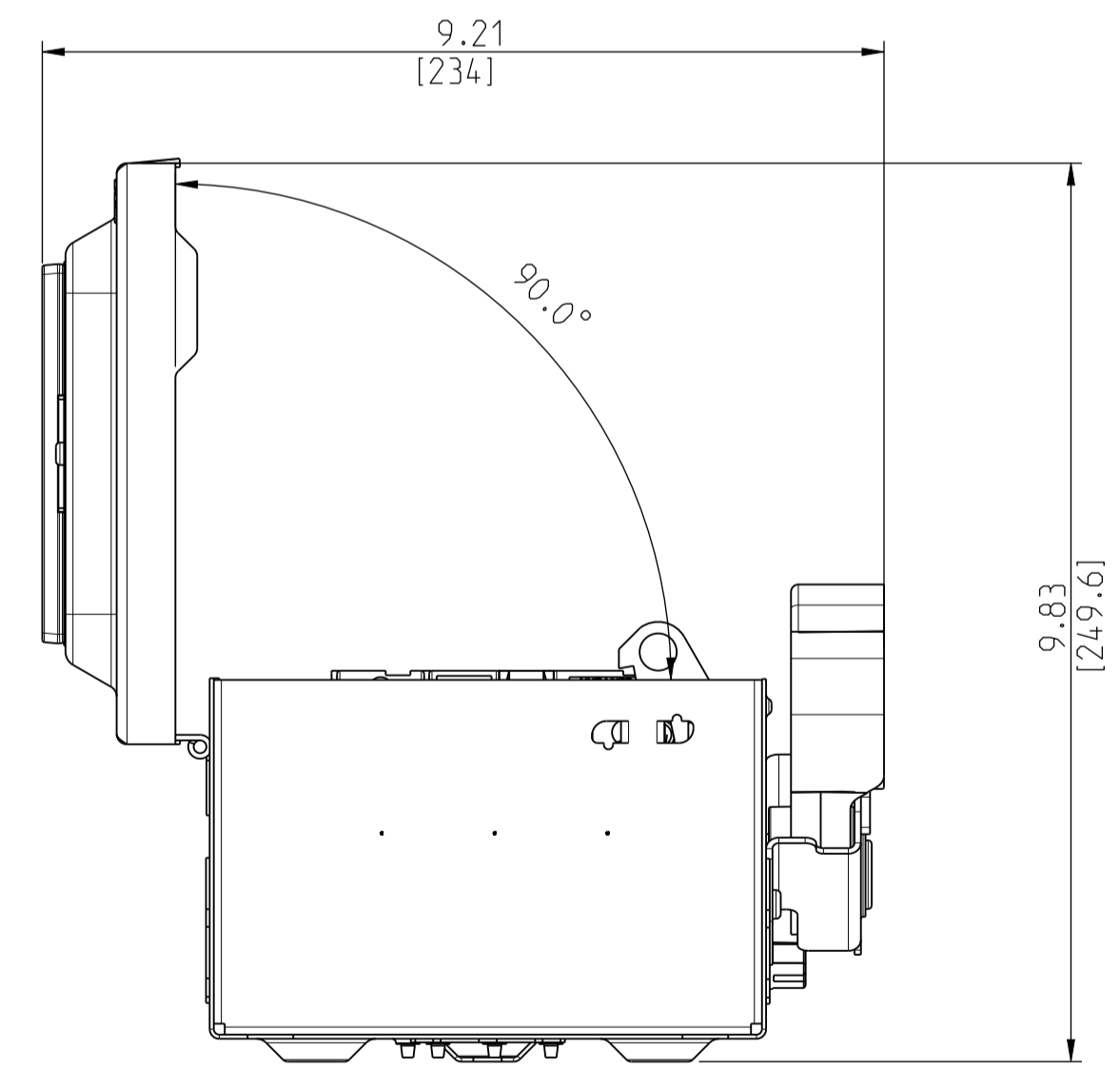
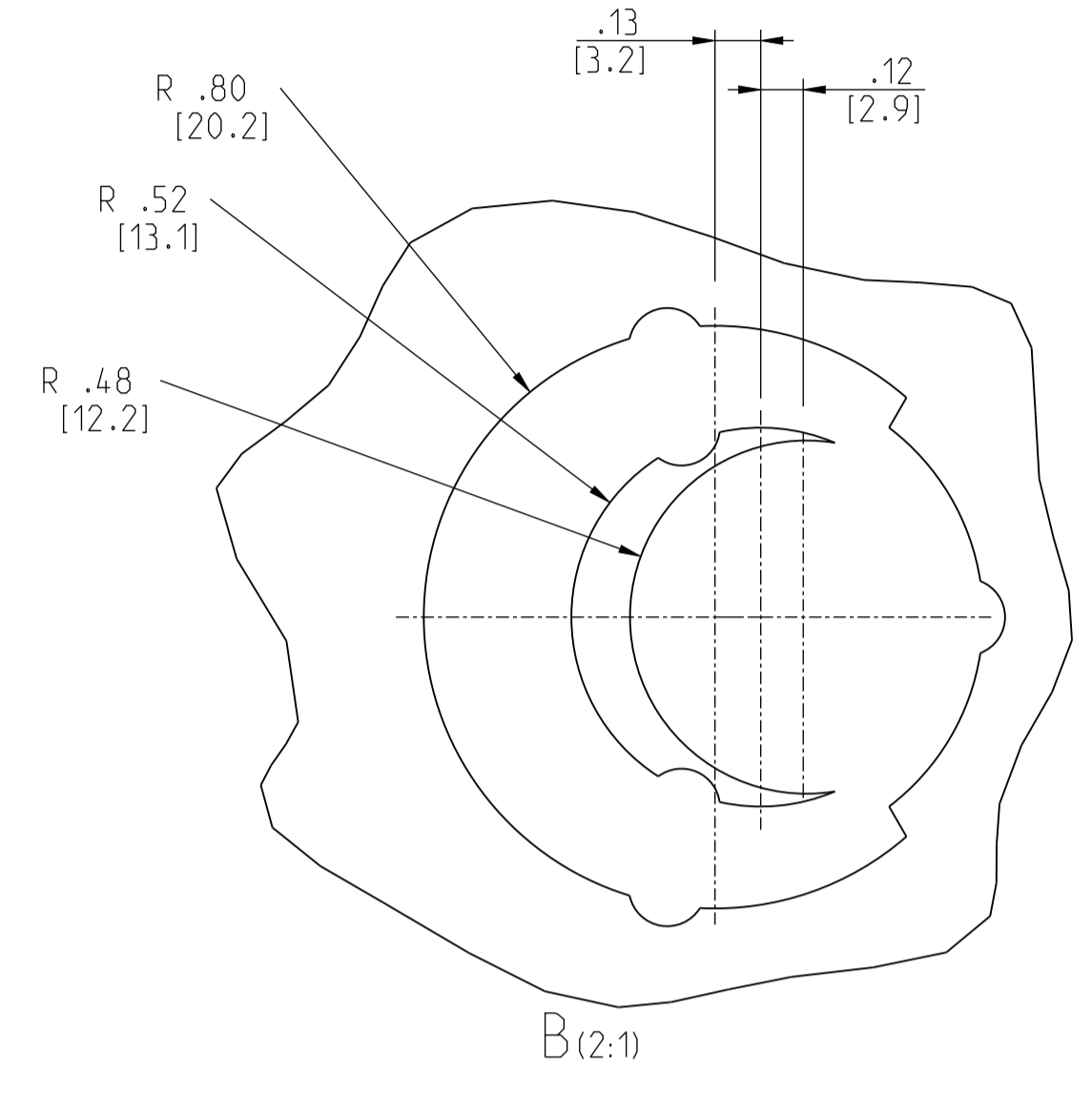
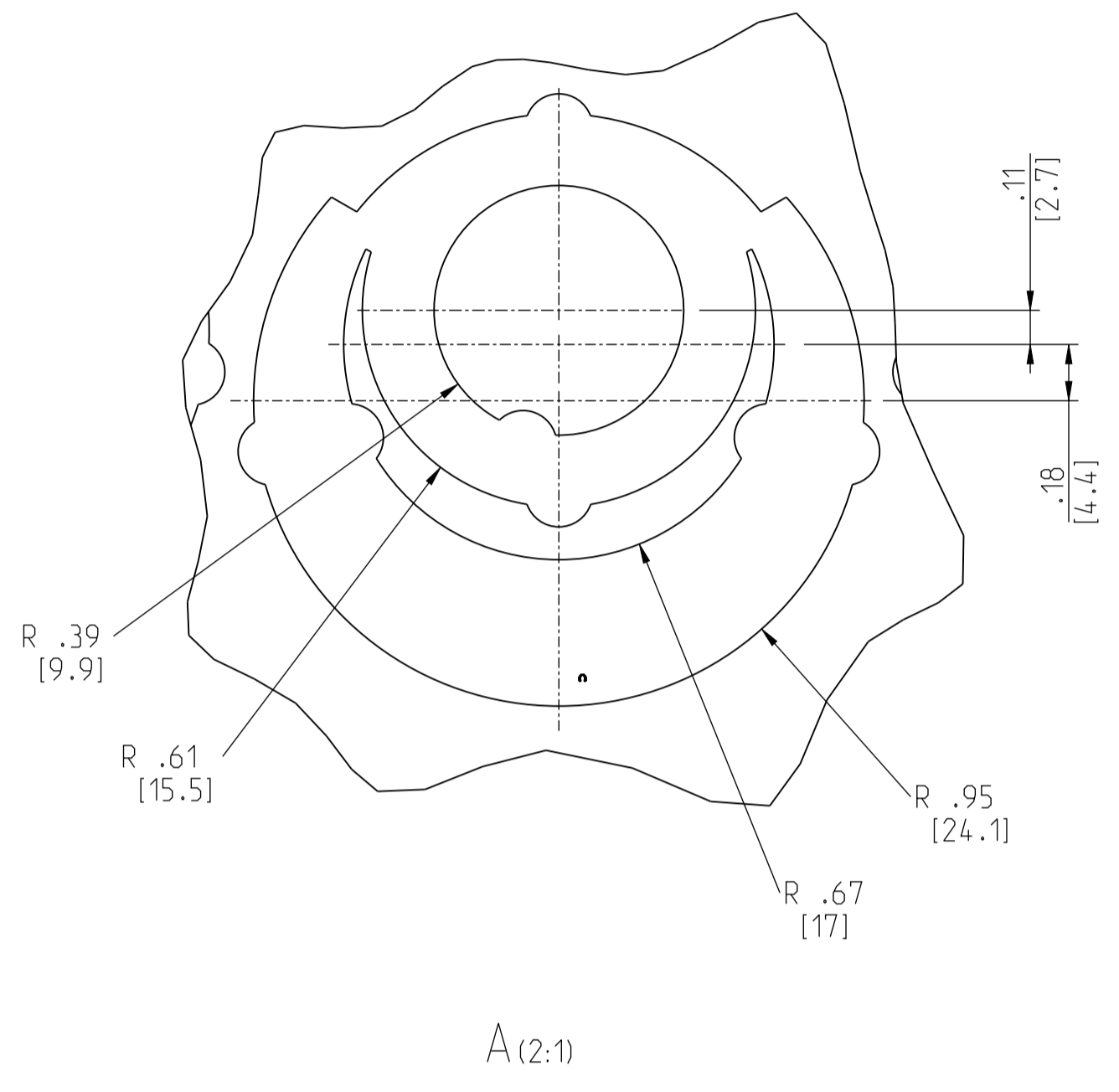
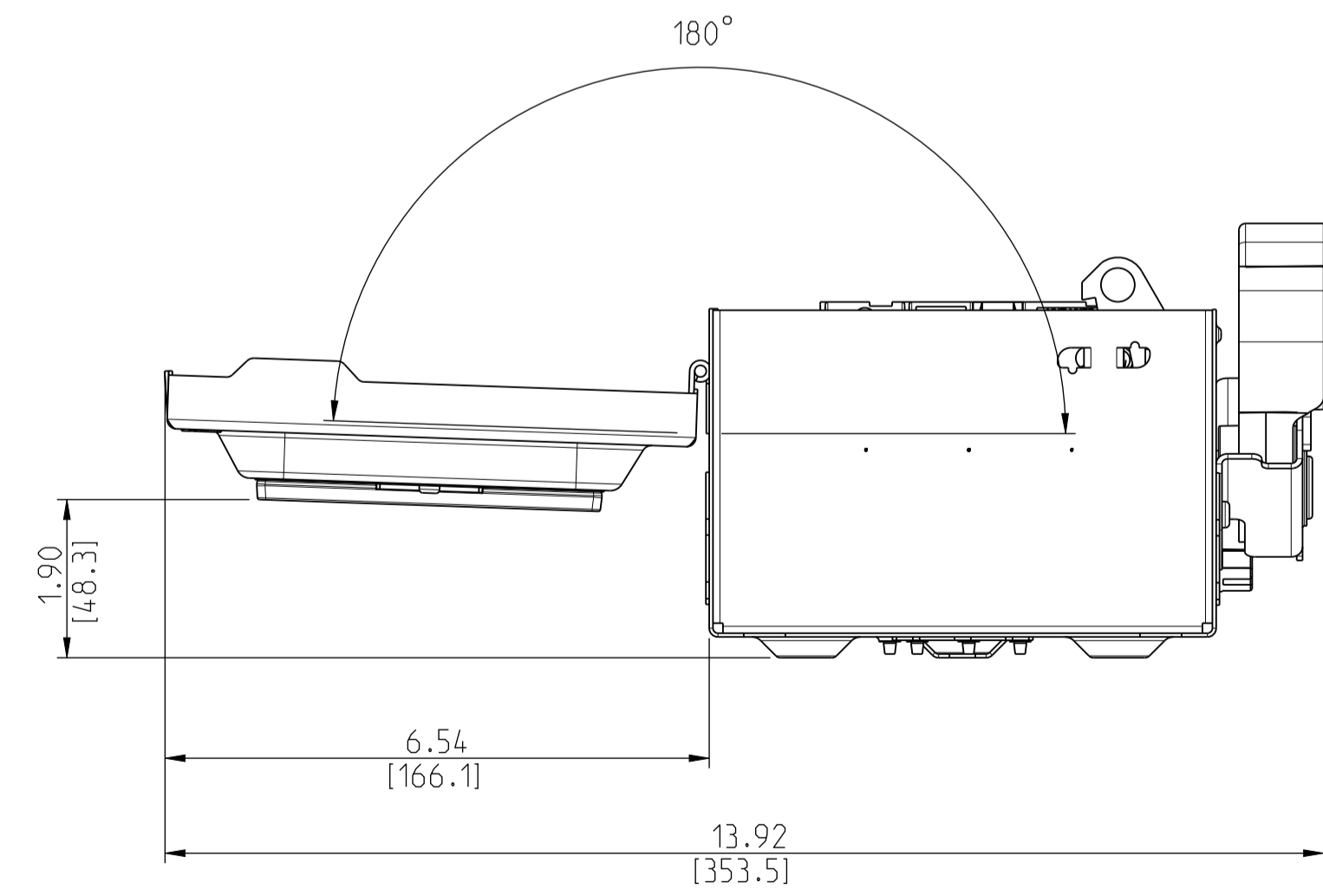
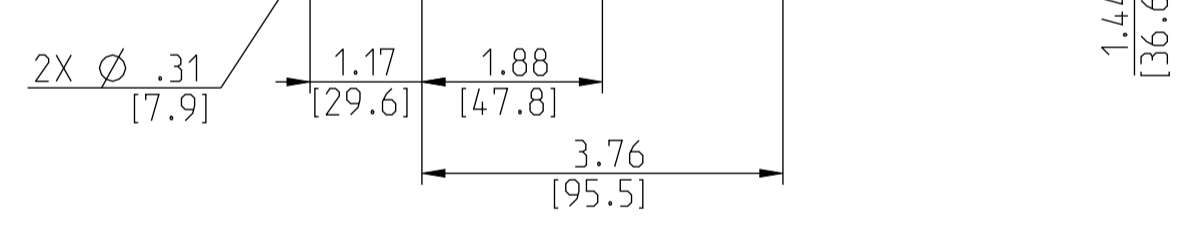
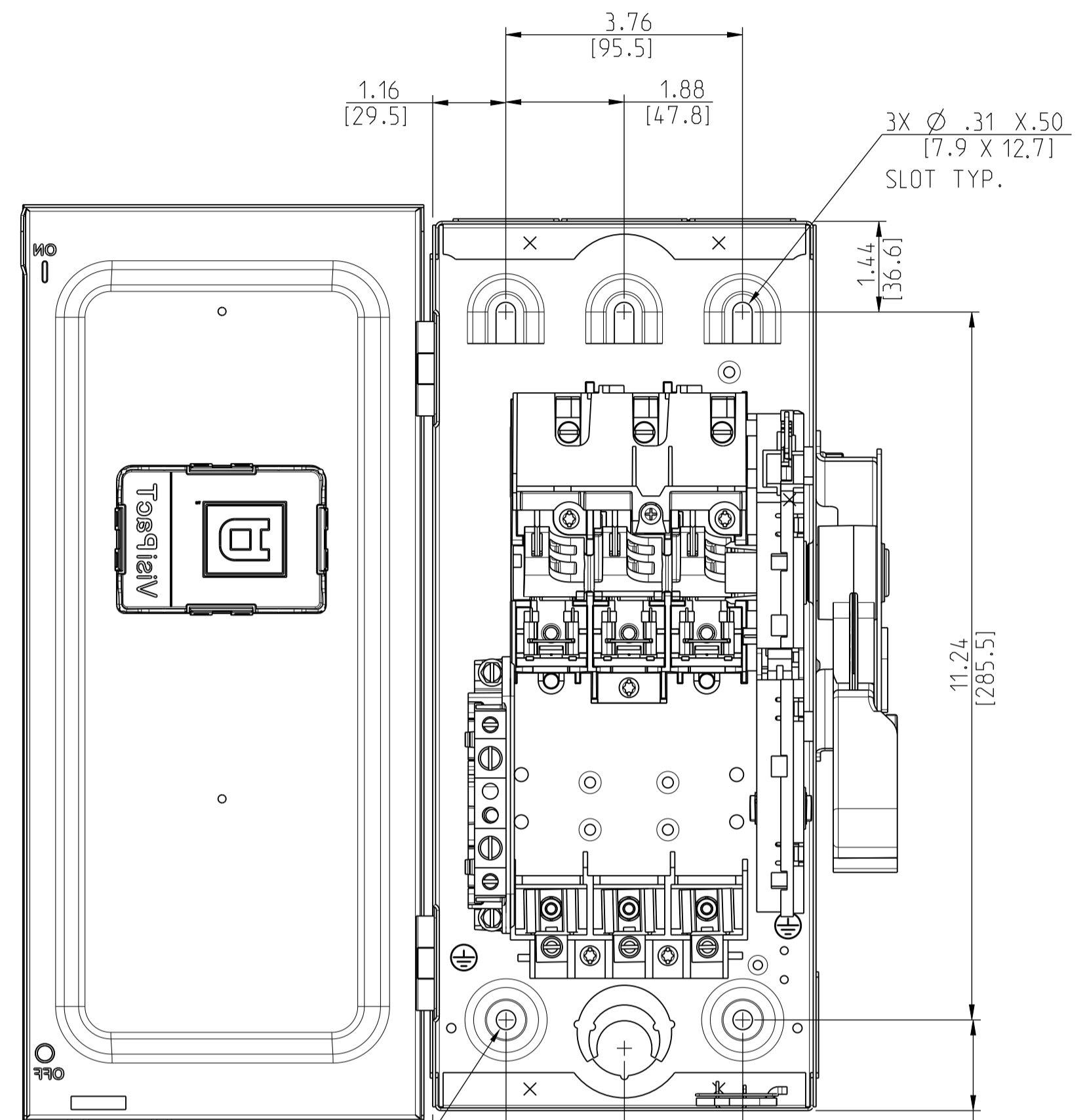


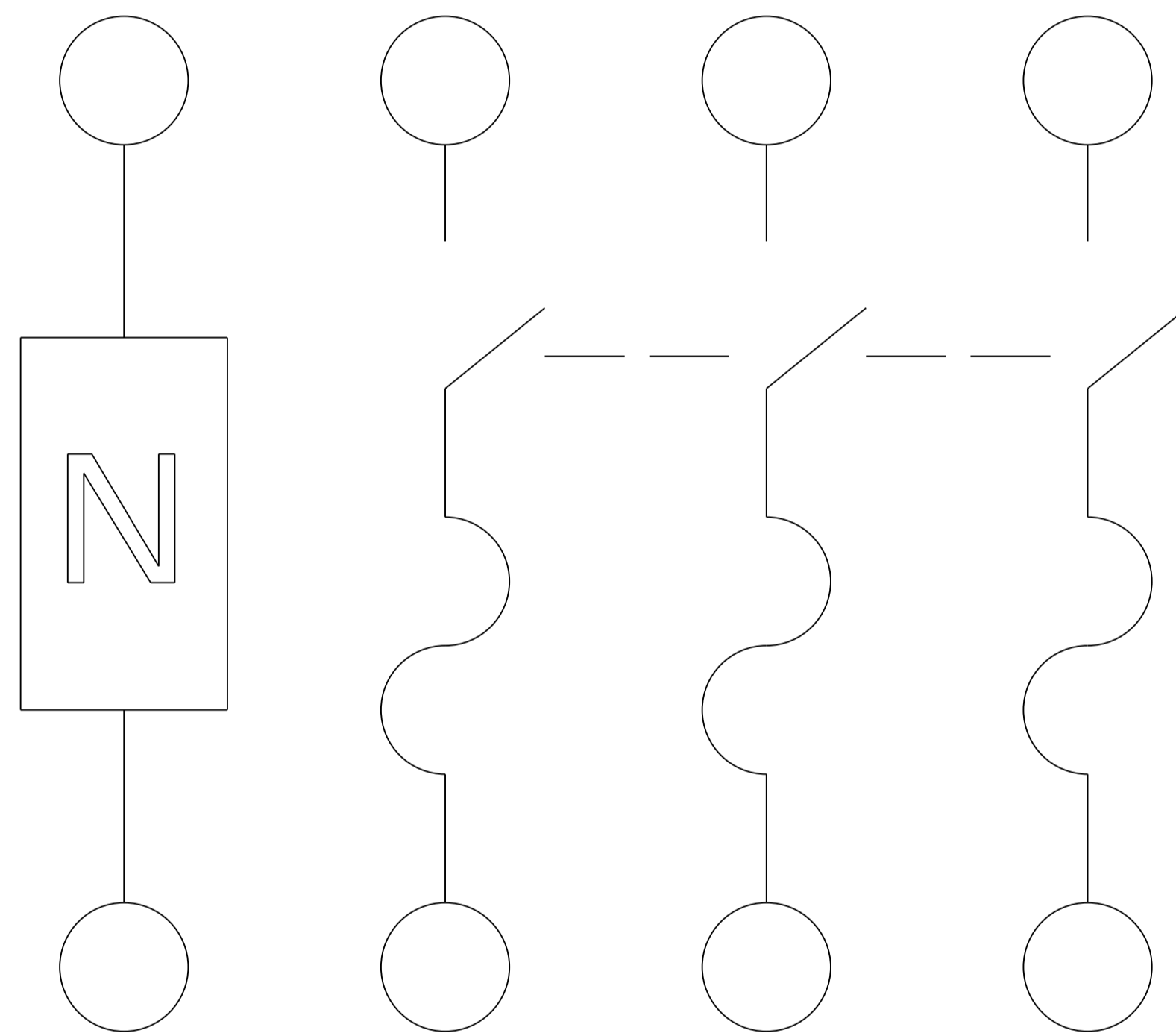
| | | | |
|---|---|--------------------------|------------------------------|
| | Scale: 1:2 | Technical Specification: | Units of measure : in |
| | Document Description: APVH321N_CUSTOMER-DRAWING | | |
| Document Number: APVH321N_CUSTOMER-DRAWING | | Doc. Rev. 00 | Sheet: 1/3 |
| <small>The information is highly confidential and is the exclusive property of Schneider Electric. It is not to be disclosed or reproduced in any way without permission from the Schneider Electric Group. This drawing must not be used for any purpose other than that expressly permitted in writing to the recipient and may not be disclosed or reproduced in any way without permission from the Schneider Electric Group. This drawing must be retained in the context until the purpose has expired.</small> | | | State: Provisional |



| | | | |
|---|--|--------------------------|----------------------------|
| | Scale: 1:2 | Technical Specification: | Units of measure: in |
| | Document Description: APVH321N_CUSTOMER-DRAWING | | Doc. Rev. Sheet: OO 2/3 |
| Document Number: APVH321N_CUSTOMER-DRAWING | | State: | |

LINE SIDE

ACCEPTS: 12-2 AWG AL
14-2 AWG CU



LOAD SIDE

ACCEPTS: 12-2 AWG AL
14-2 AWG CU

| CATALOG NUMBER | VOLTAGE RATING | AMPERAGE RATING |
|----------------|----------------|-----------------|
| VH321N | 240 VAC/VDC | 30 |

| HORSEPOWER RATINGS | | | |
|--------------------|----|-----|-----|
| VOLTS | Ø | STD | MAX |
| 120V~ | 1 | 0.5 | 2 |
| 240V~ | 1 | 1.5 | 3 |
| 240V~ | 3 | 3 | 7.5 |
| 125V= | -- | 2 | 3 |
| 250V= | -- | 5 | -- |

| KIT | VOLTAGE | PART NUMBER |
|-------------------------|-------------|-------------------------------|
| ELECTRICAL INTERLOCK | 600V & 240V | EIK031, EIK032 |
| CLASS R FUSE KITS | 600V | RFK03L, RFK06 |
| | 240V | RFK03L |
| INTERNAL BARRIER | 600V & 240V | SS03 |
| FUSE PULLER | 600V & 240V | FPK03 |
| SOLID NEUTRAL ASSEMBLY | 600V & 240V | SN03 for Al SN03C for Cu |
| EQUIPMENT GROUNDING KIT | 600V & 240V | GTK03 for Al GTK03C for Cu |
| TOUCH UP PAINT | 600V & 240V | PK49SP |
| LOCK OFF/ON | 600V & 240V | LOGK1 |
| COPPER LUGS | 600V & 240V | CL0306F |

| | | | |
|---|--|--------------------------|----------------------------|
| | Scale: 1:1 | Technical Specification: | Units of measure: in |
| | Document Description: APVH321N_CUSTOMER-DRAWING | | Doc. Rev. Sheet: 00 3/3 |
| Document Number: APVH321N_CUSTOMER-DRAWING | | State: | |

The information is highly confidential and is the exclusive property of Schneider Electric. Copyright reserved. This drawing may not be used for any purpose other than the expressly permitted in writing by the owners and may not be disclosed or reproduced in any way without permission from the owners. In addition, this drawing may be subject to the patent laws of the country of origin.