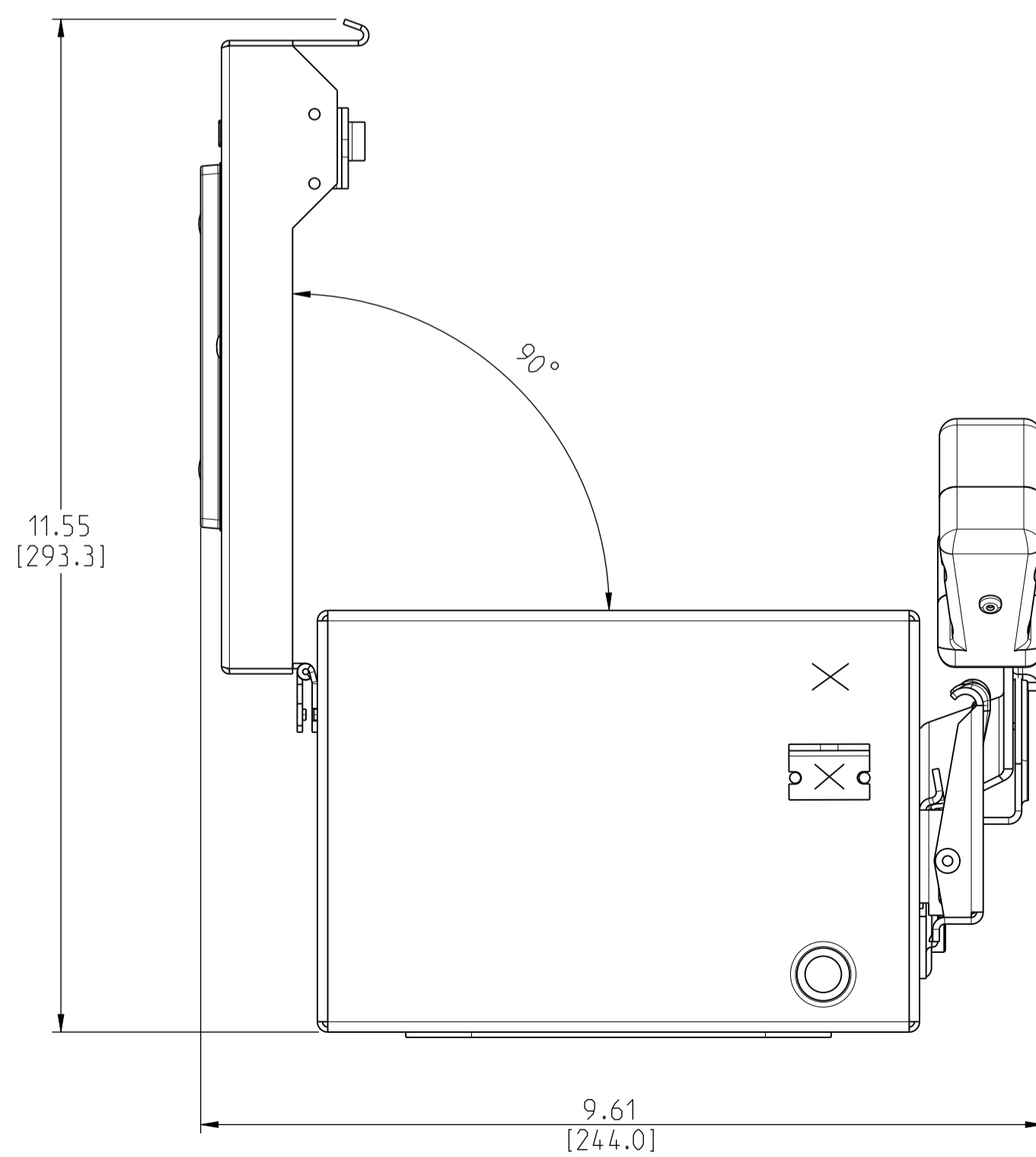
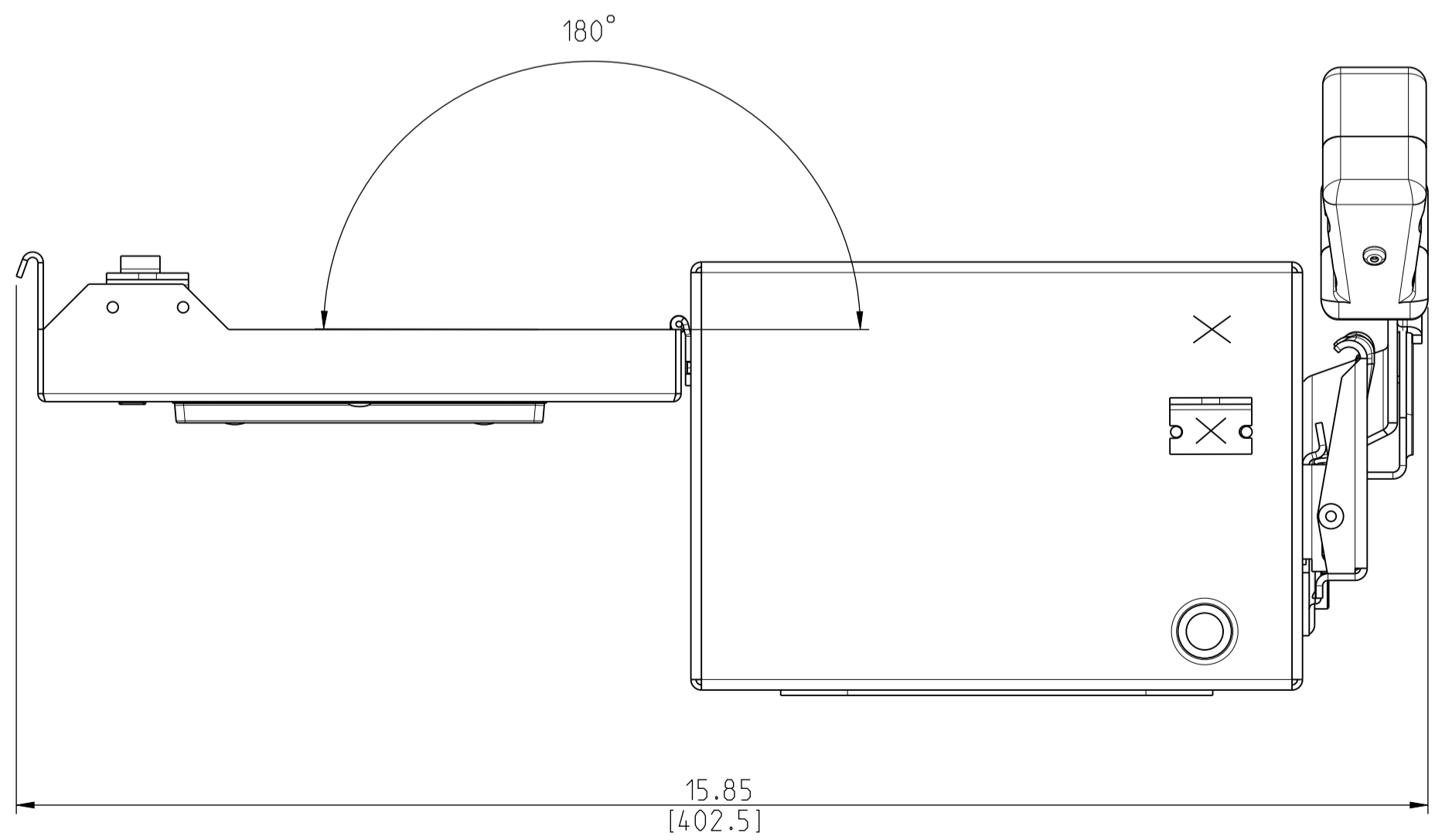
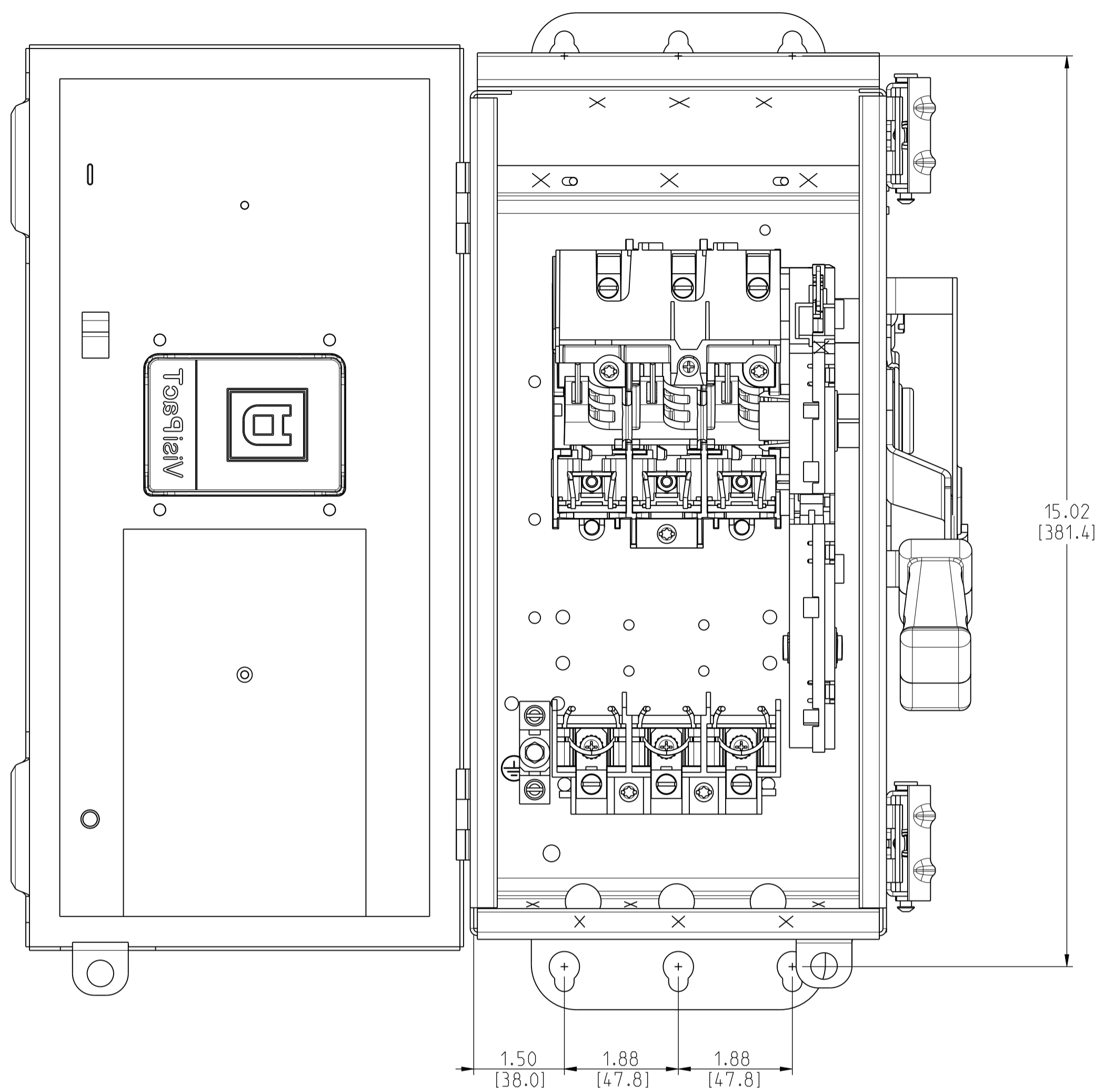


| | | | |
|---|---|--------------------------|------------------------------|
| | Scale: NTS | Technical Specification: | Units of measure: in |
| | Document Description: APVH321DSGL_CUSTOMER-DRAWING | | |
| Document Number: APVH321DSGL_CUSTOMER-DRAWING | | Doc. Rev.: | Sheet: |
| | | 00 | 1/3 |
| <small>The information is highly confidential and is the exclusive property of Schneider Electric. It is not to be disclosed or reproduced in any way without permission from the Schneider Electric Group. This drawing must not be used for any purpose other than that expressly permitted in writing by the Schneider Electric Group. This drawing must not be modified in any way without the express written consent of Schneider Electric.</small> | | | State: Provisional |



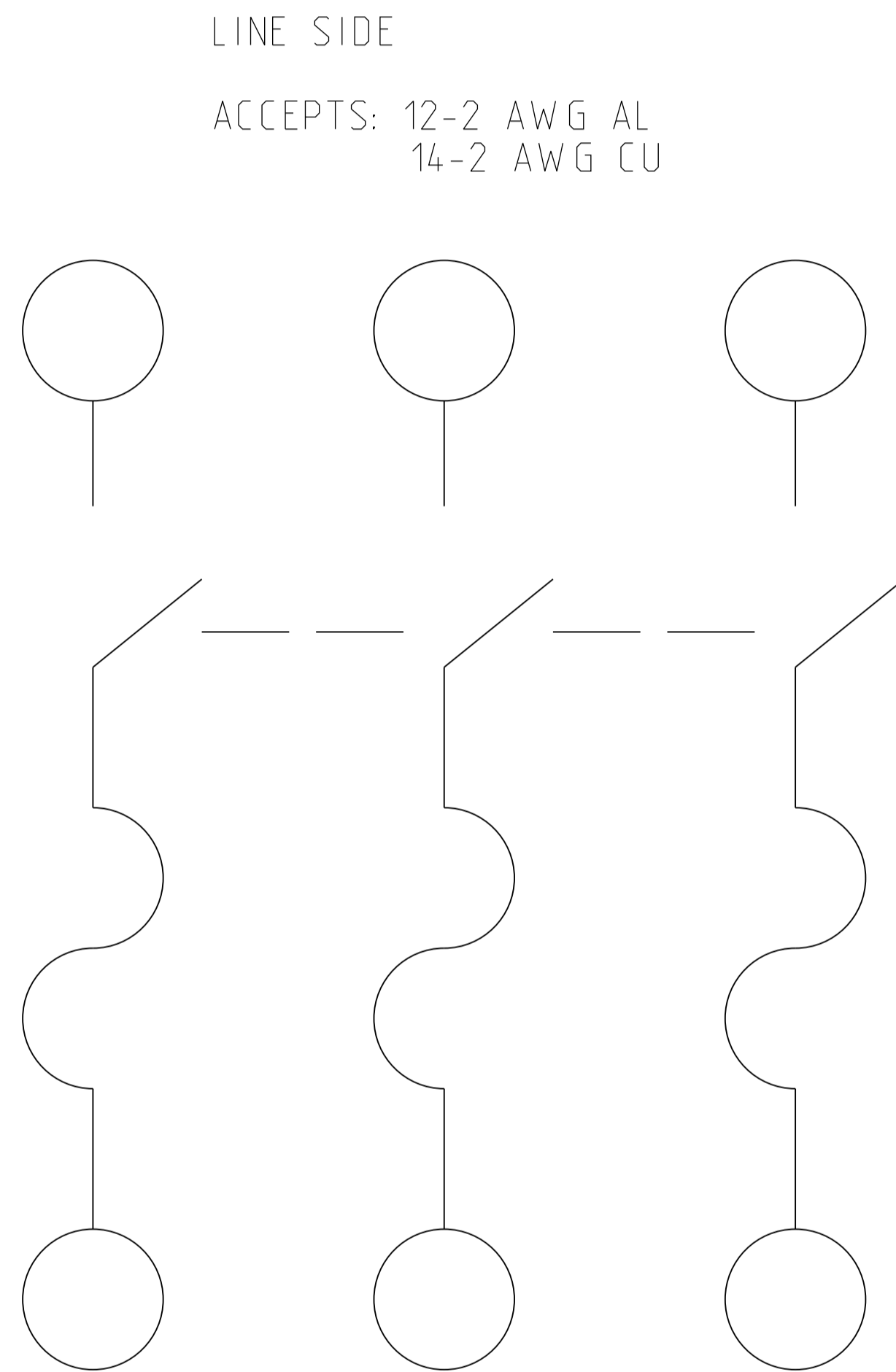
| | | | |
|--|---|--------------------------|-------------------------|
| | Scale: NTS | Technical Specification: | Units of measure: in |
| | Document Description: APVH321DSGL_CUSTOMER-DRAWING | | Doc. Rev. Sheet: 00 2/3 |
| Document Number: APVH321DSGL_CUSTOMER-DRAWING | | State: | |

The information is highly confidential and is the exclusive property of Schneider Electric. Copyright reserved. This drawing must not be copied for any purpose other than the expressly permitted in writing by the owner and must not be disclosed or reproduced in any way without permission from the owner in writing. This drawing must be returned to the owner when the contract has ended.

| CATALOG NUMBER | VOLTAGE RATING | AMPERAGE RATING |
|----------------|----------------|-----------------|
| VH321DSGL | 240VAC/VDC | 30 |

| HORSEPOWER RATINGS | | | |
|--------------------|----|-----|-----|
| VOLTS | ∅ | STD | MAX |
| 120V~ | 1 | 0.5 | 2 |
| 240V~ | 1 | 1.5 | 3 |
| 240V~ | 3 | 3 | 7.5 |
| 125V= | -- | 2 | 3 |
| 250V= | -- | 5 | -- |

| KIT | VOLTAGE | PART NUMBER |
|-------------------------|-------------|-------------------------------|
| ELECTRICAL INTERLOCK | 600V & 240V | EIK031, EIK032 |
| CLASS R FUSE KITS | 600V | RFK03L, RFK06 |
| | 240V | RFK03L |
| INTERNAL BARRIER | 600V & 240V | SS03 |
| FUSE PULLER | 600V & 240V | FPK03 |
| SOLID NEUTRAL ASSEMBLY | 600V & 240V | SN03 for Al SN03C for Cu |
| EQUIPMENT GROUNDING KIT | 600V & 240V | GTK03 for Al GTK03C for Cu |
| TOUCH UP PAINT | 600V & 240V | PK49SP |
| LOCK OFF/ON | 600V & 240V | LOGK1 |
| COPPER LUGS | 600V & 240V | CL0306F |



| | | | |
|---|---|--------------------------|-------------------------|
| | Scale: NTS | Technical Specification: | Units of measure: in |
| | Document Description: APVH321DSGL_CUSTOMER-DRAWING | | |
| Document Number: APVH321DSGL_CUSTOMER-DRAWING | | Doc. Rev. 00 | Sheet: 3/3 |
| <small>The information is highly confidential and is the exclusive property of Schneider Electric. Copyright reserved. This drawing must not be used for any product other than that expressly permitted in writing by the owners and may not be disclosed or reproduced in any way without permission from the owners in writing. This drawing must be returned to the owners when the product has ceased.</small> | | | State: |