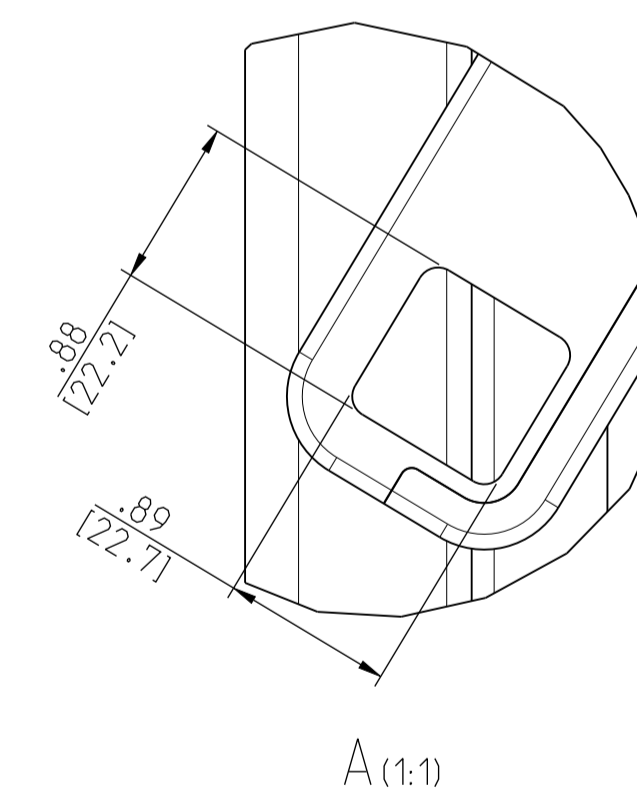
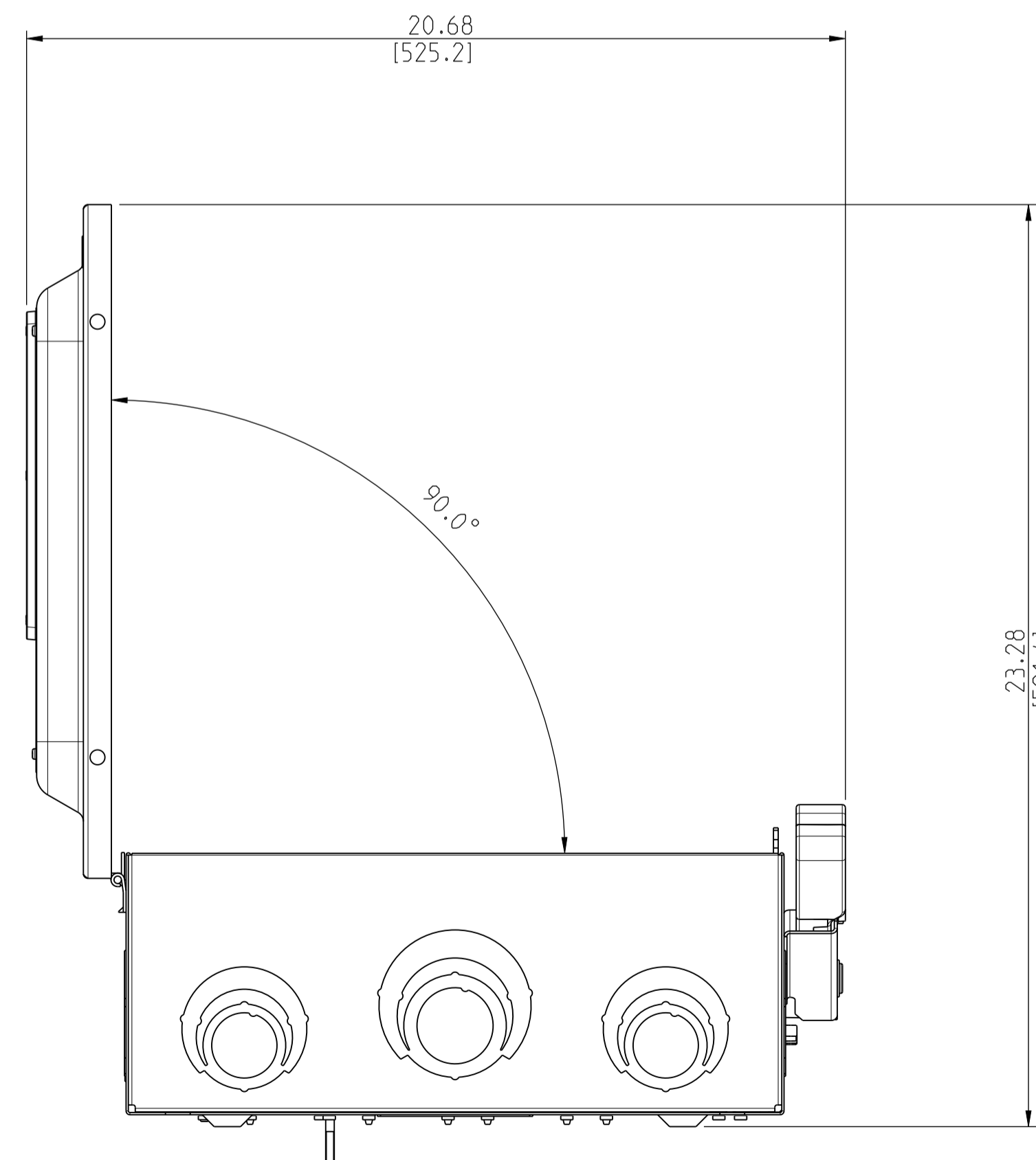
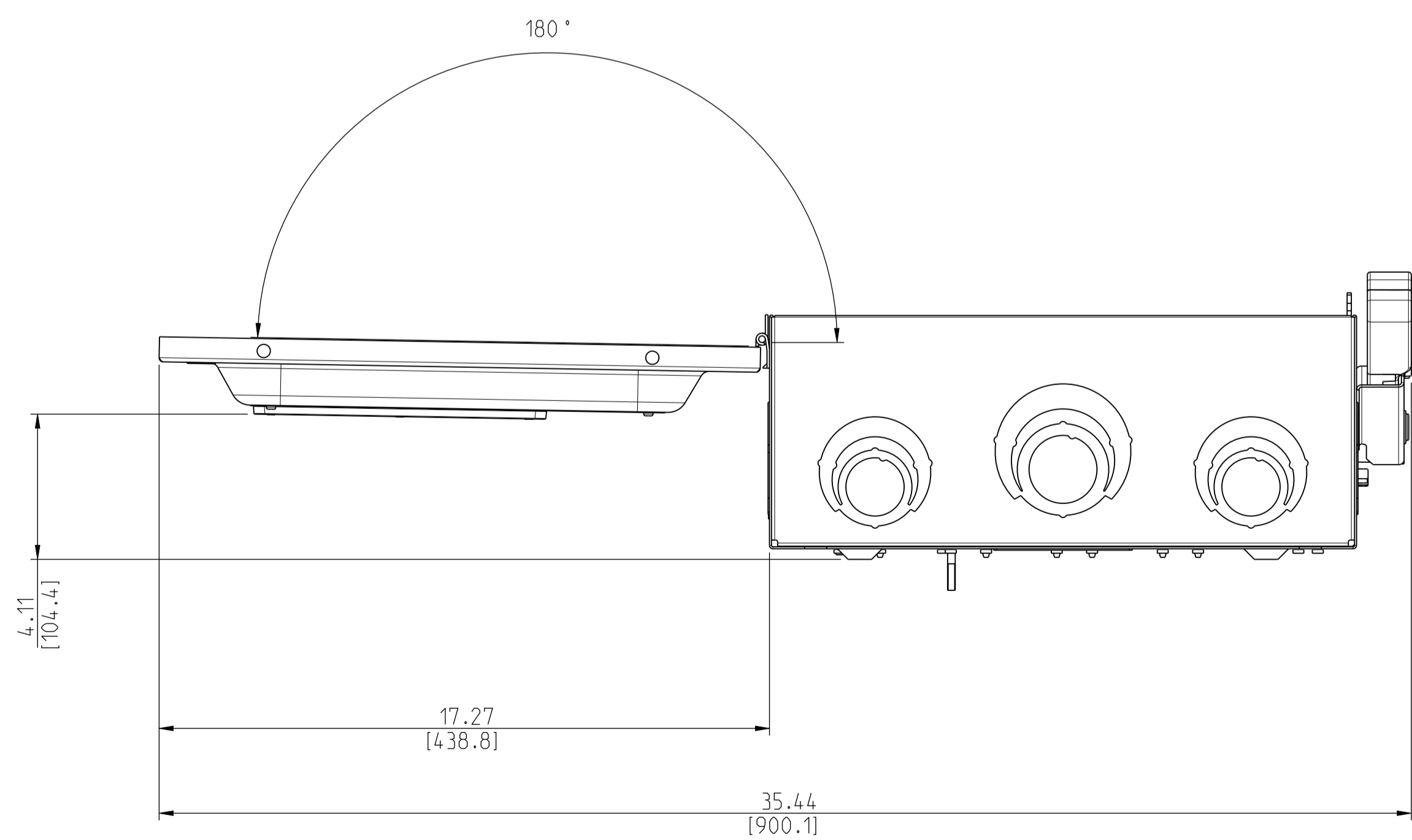
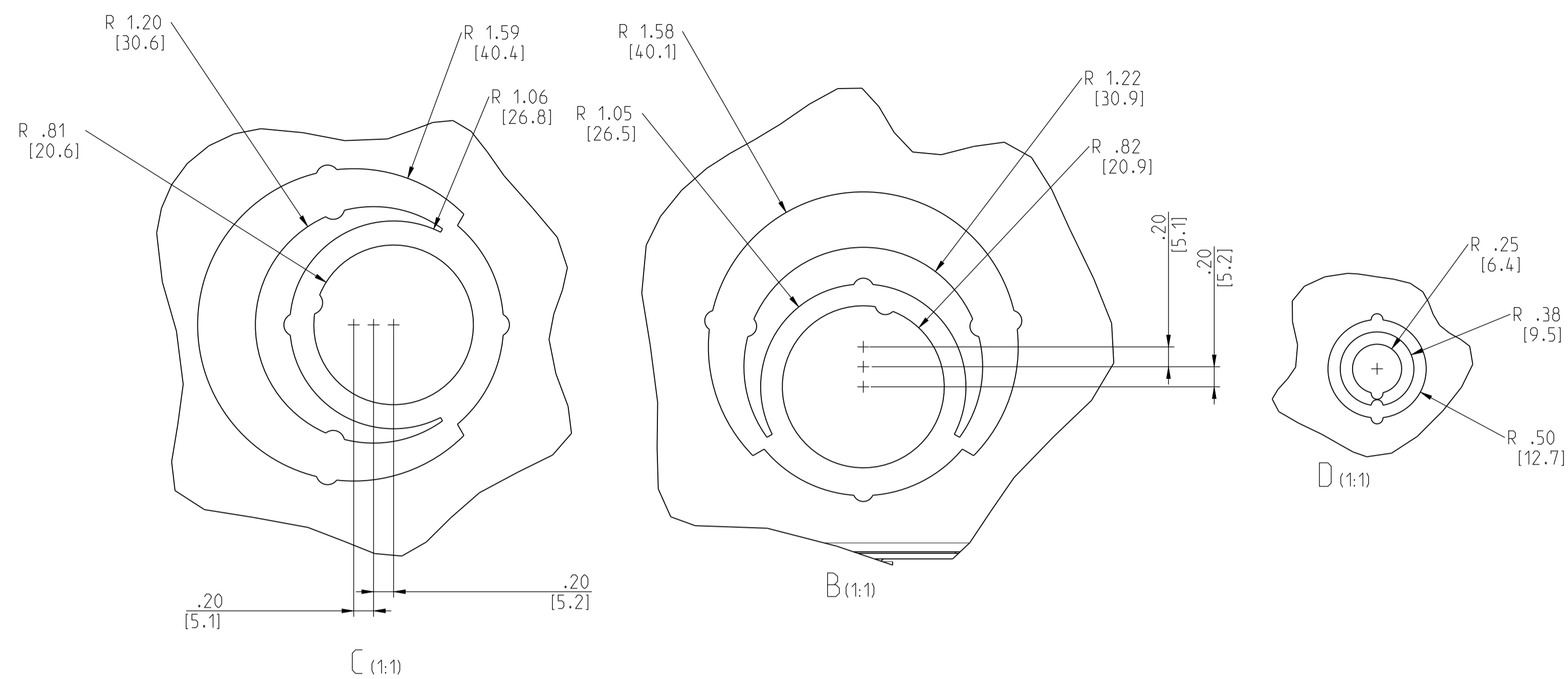
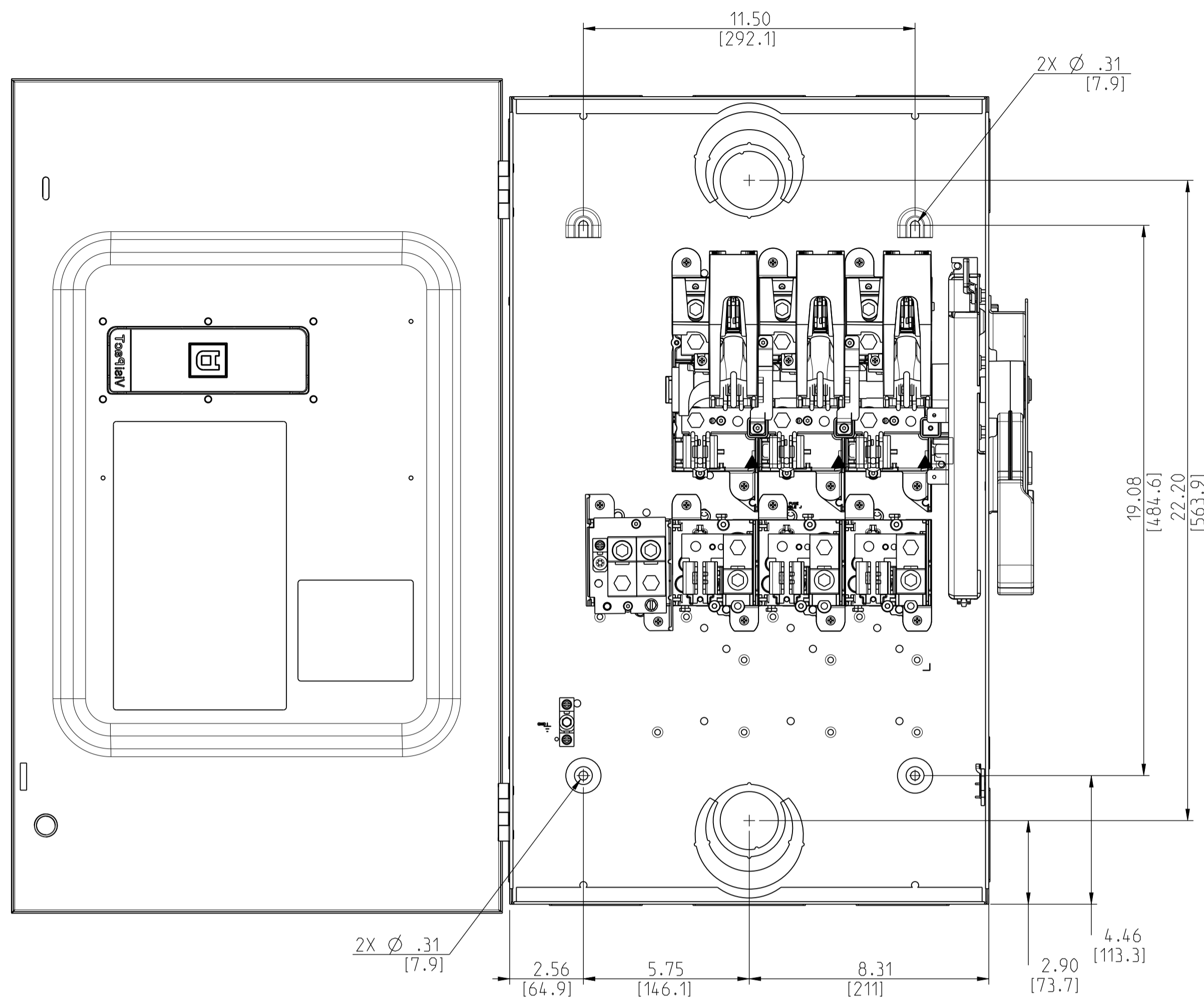


	Scale: 1/3	Technical Specification:	Units of measure: in
	Document Description: APVH224BGL_CUSTOMER-DRAWING		Doc. Rev. Sheet: 00 1/3
Document Number: APVH224BGL_CUSTOMER-DRAWING		State: Provisional	

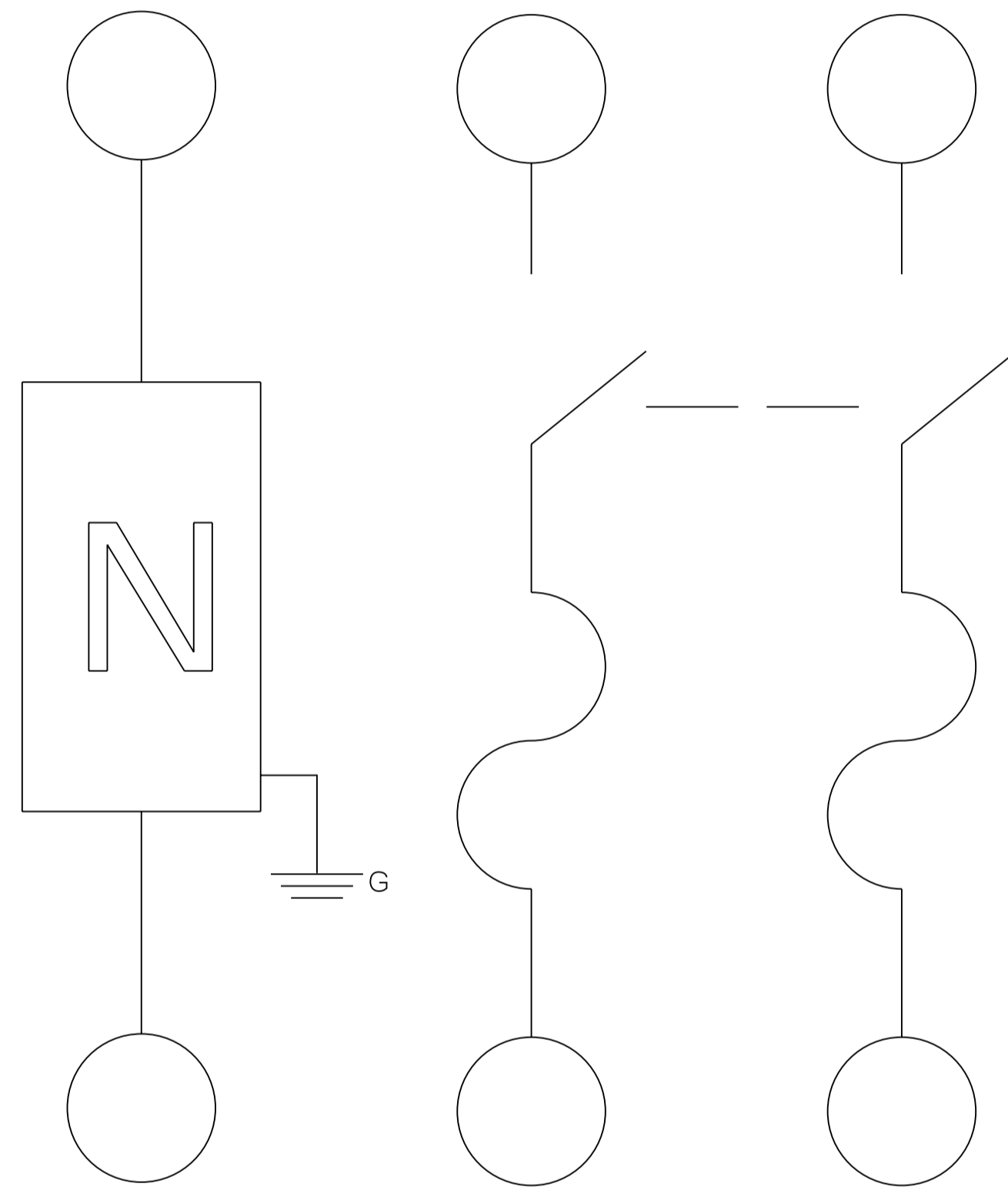
The information is highly confidential and is the exclusive property of Schneider Electric. It is not to be disclosed or reproduced in any way without permission from the company. This drawing must be retained in the secret until the project is closed.



	Scale: 1/3	Technical Specification:	Units of measure: in
	Document Description: APVH224BGL_CUSTOMER-DRAWING		
Document Number: APVH224BGL_CUSTOMER-DRAWING		Doc. Rev. 00	Sheet: 2/3
<small>The information is highly confidential and is the exclusive property of Schneider Electric. Copyright reserved. This drawing must not be used for any purpose other than that expressly permitted in writing by the owners and must not be disclosed or reproduced in any way without permission from the owners in writing. This drawing must be returned to the owners when the service has ended.</small>			State: Provisional

LINE SIDE

ACCEPTS: 6 AWG - 300 KCMIL (AL-CU)



LOAD SIDE

ACCEPTS: 6 AWG - 300 KCMIL (AL-CU)

CATALOG NUMBER	VOLTAGE RATING	AMPERAGE RATING
VH224BGL	240VAC/VDC	200A

HORSEPOWER RATINGS			
VOLTS	Ø	STD	MAX
240V~	1	15	--
240V~	3	25	60
250V=	--	40	--

ACCESORIES		
KIT	VOLTAGE	PART NUMBER
ELECTRICAL INTERLOCK	600V & 240V	EIK1, EIK2
CLASS R FUSE KITS	600V & 240V	HRK1020
INTERNAL BARRIER	600V & 240V	SS20
SOLID NEUTRAL ASSEMBLY	600V & 240V	SN20A for Al SN20C for Cu
EQUIPMENT GROUNDING KIT	600V & 240V	PKOGTA2 for Al PKOGTC2 for Cu
TOUCH UP PAINT	600V & 240V	PK49SP
LOCK OFF/ON	600V & 240V	LOGK2
COPPER LUGS	600V & 240V	CL20F
DOUBLE LUG	600V & 240V	AL20DTF
COMPRESSION LUGS	600V & 240V	VCEL030516H1 for Al VCEL030516H1 for Cu

	Scale: 1:1	Technical Specification:	Units of measure: in
	Document Description: APVH224BGL_CUSTOMER-DRAWING		Doc. Rev. Sheet: 00 3/3
Document Number: APVH224BGL_CUSTOMER-DRAWING			State: Provisional

The information is highly confidential and is the exclusive property of Schneider Electric. Copyright reserved. This drawing must not be used for any purpose other than that expressly permitted in writing by the owner and must not be disclosed or reproduced in any way without permission from the owner in writing. This drawing shall be returned to the owner when the project has ended.