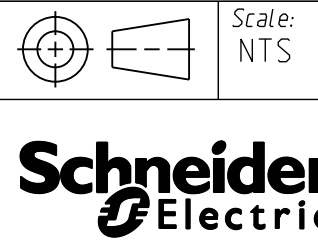
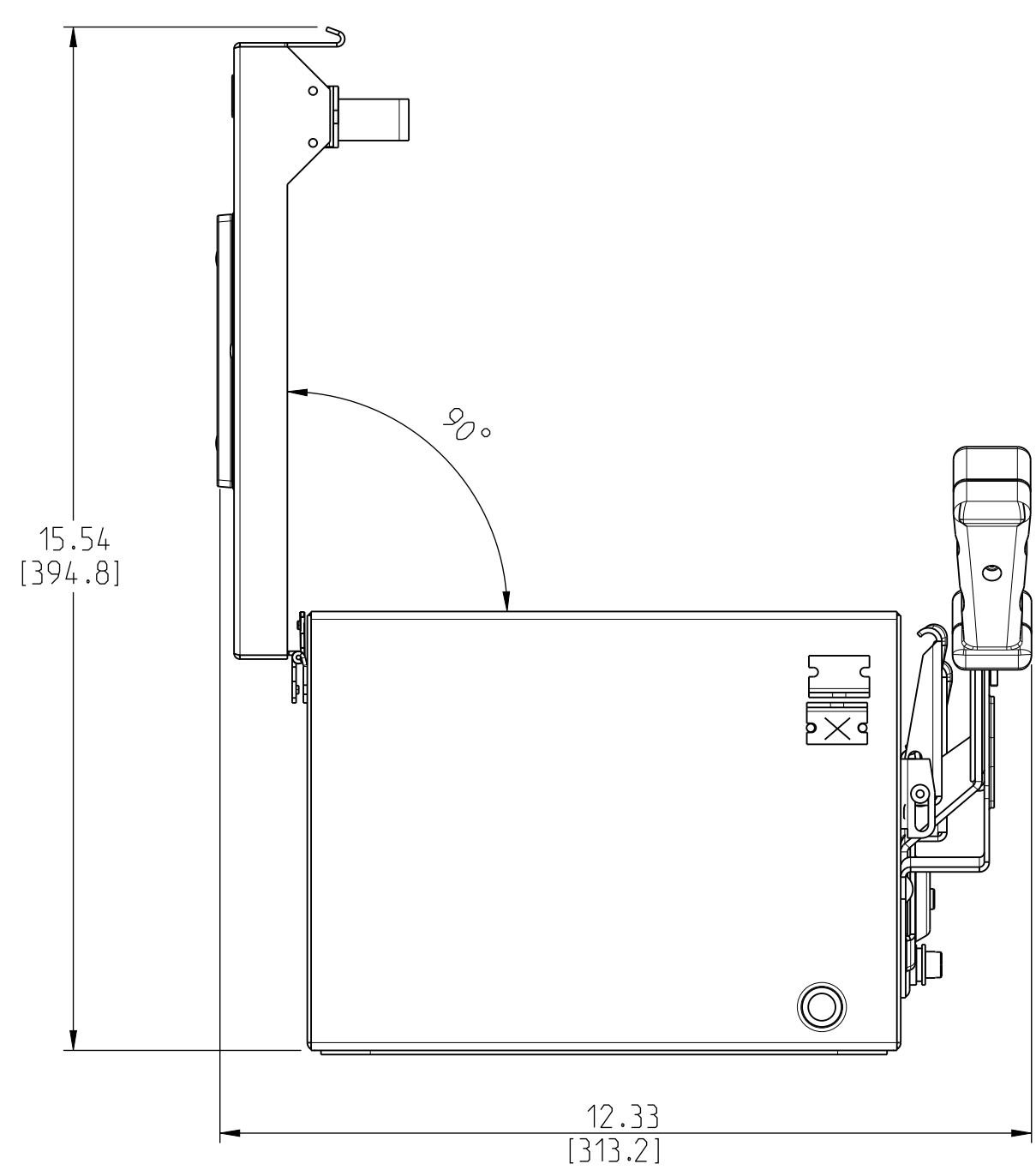
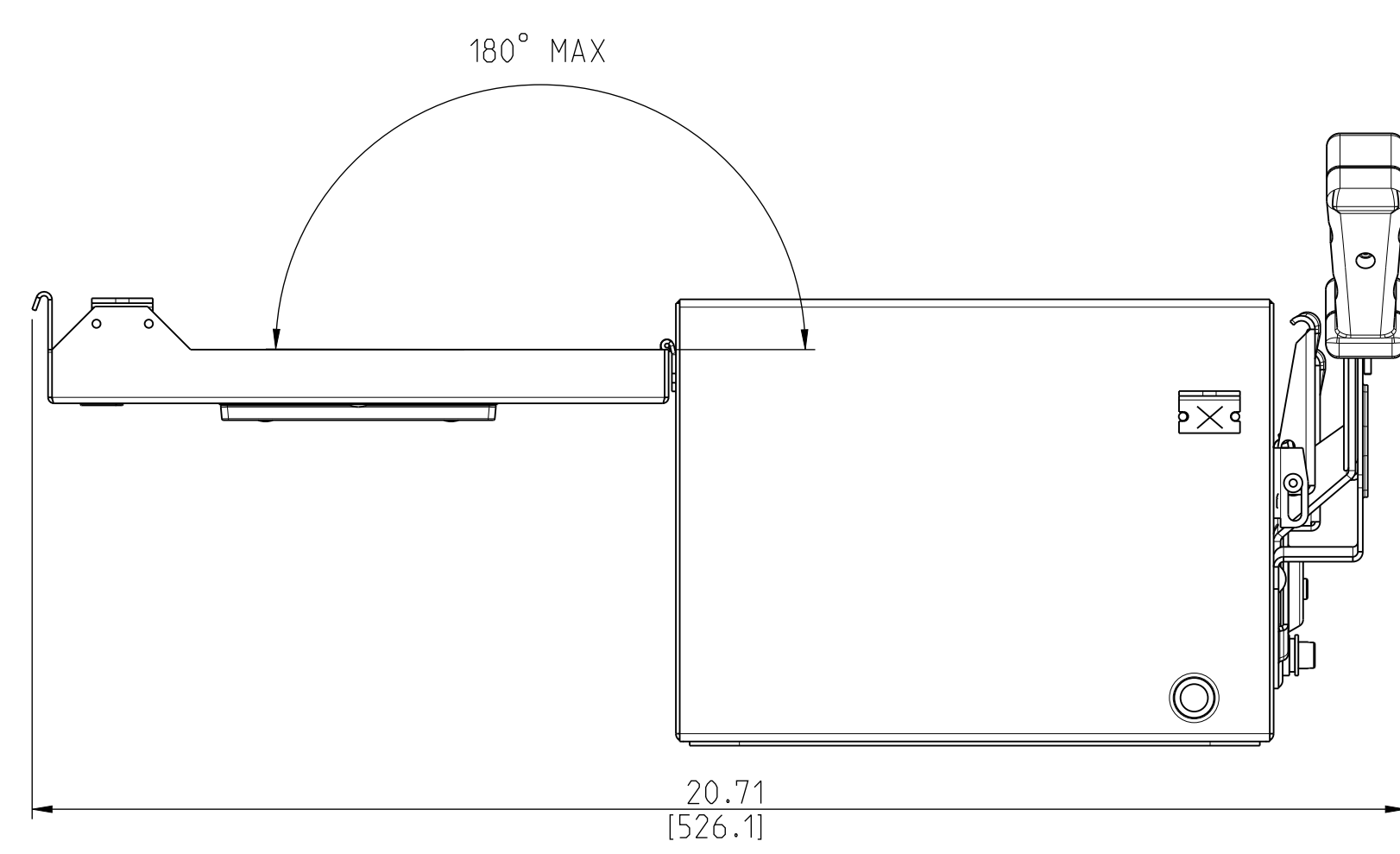
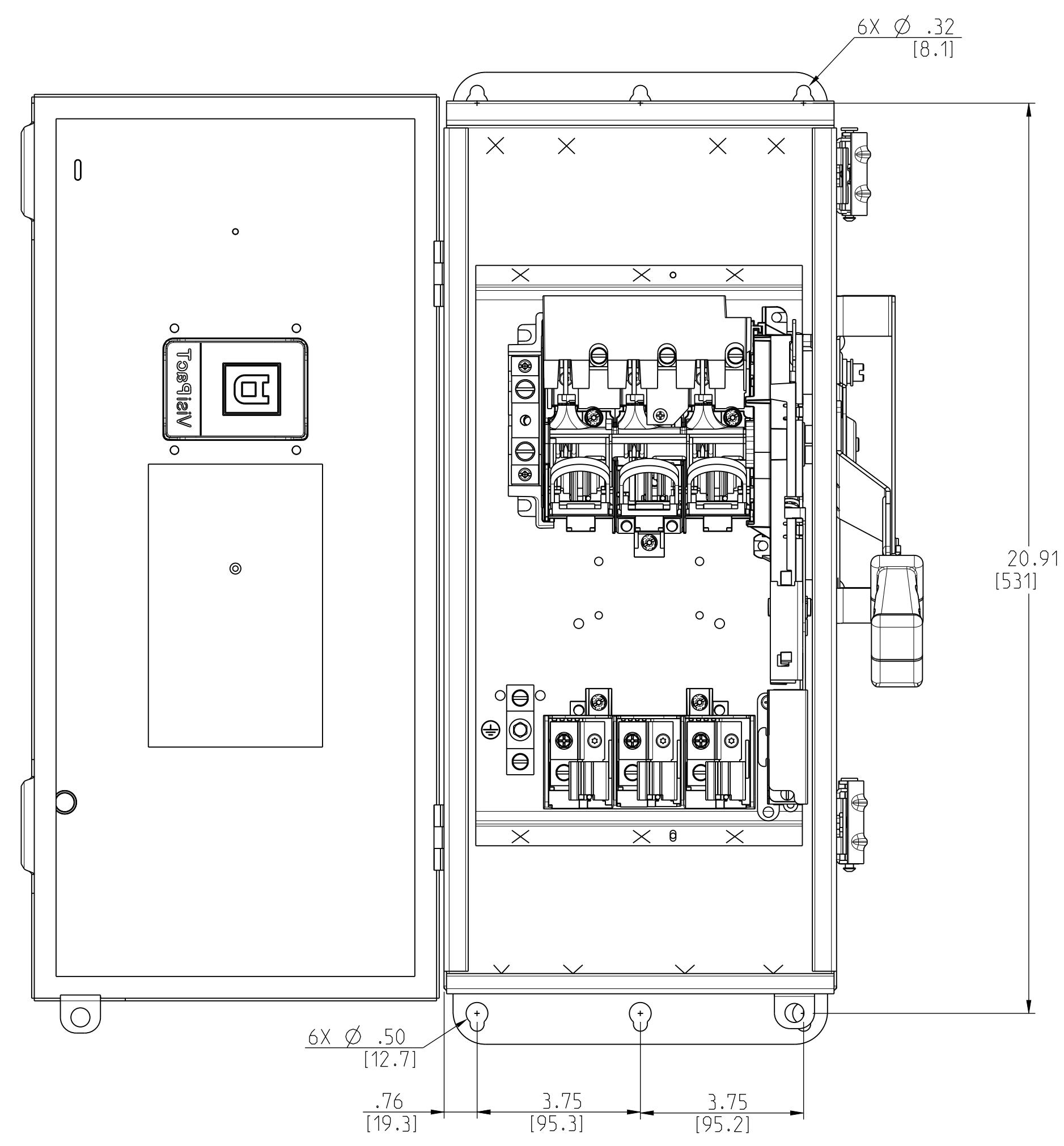


| | | | |
|---|---------------|--|------------------------------|
|  | Scale: NTS | Technical Specification: | Units of measure : in |
| | | Document Description: APVH223NDSGL_CUSTOMER-DRAWING | |
| | | Document Number: APVH223NDSGL_CUSTOMER-DRAWING | Doc. Rev. Sheet: 00 1/3 |
| <small>The information is highly confidential and is the exclusive property of Schneider Electric. It is not to be disclosed or reproduced in any way without permission from the Schneider Electric Group. This drawing must not be used for any purpose other than that expressly permitted in writing by the Schneider Electric Group. This drawing must not be modified in any way without the express written consent of Schneider Electric.</small> | | | State: Provisional |

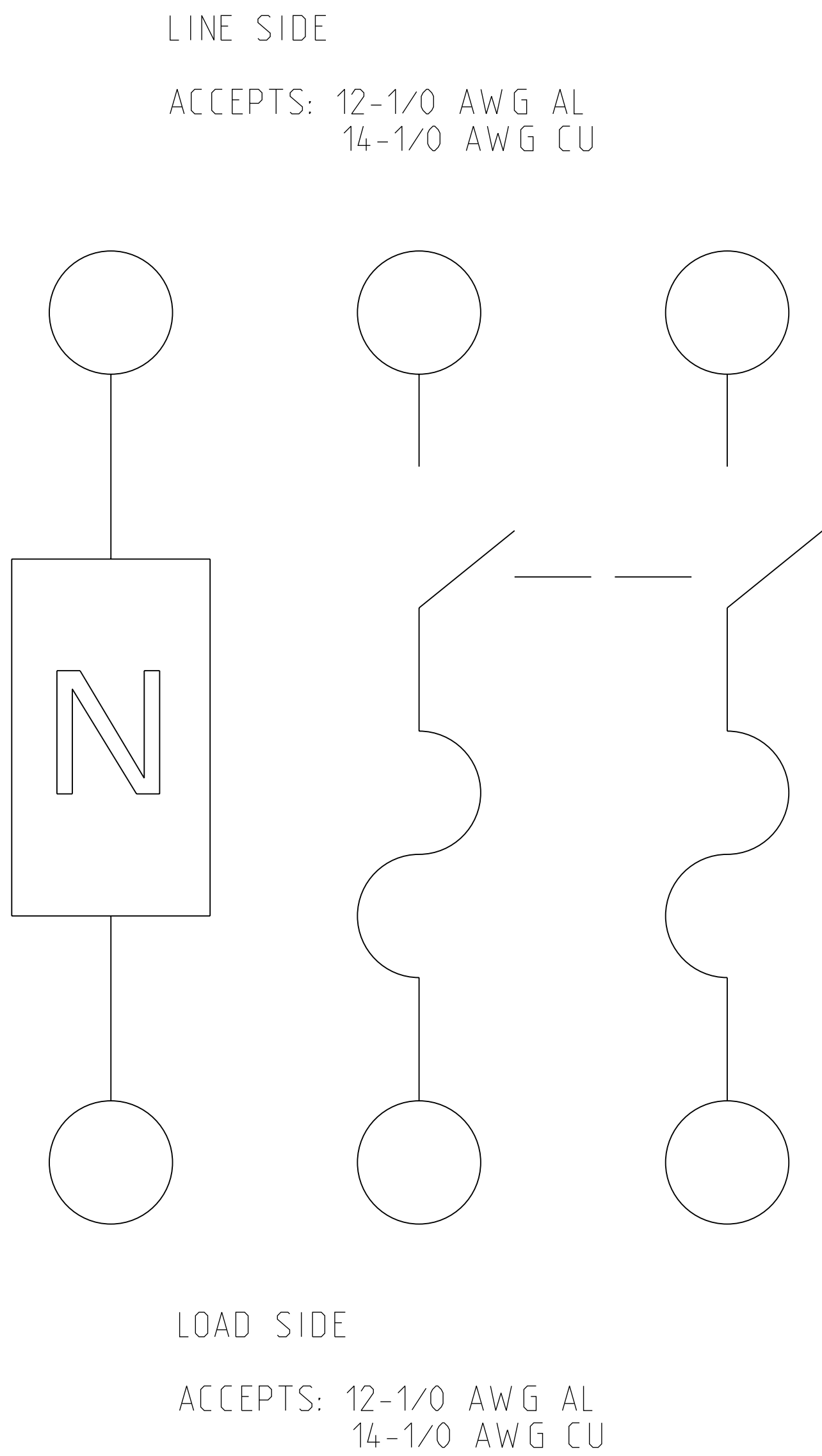


| | | | |
|---|--|--------------------------|----------------------------|
| | Scale: NTS | Technical Specification: | Units of measure: in |
| | Document Description: APVH223NDSGL_CUSTOMER-DRAWING | | Doc. Rev. Sheet: OO 2/3 |
| Document Number: APVH223NDSGL_CUSTOMER-DRAWING | | State: | |

The information is highly confidential and is the exclusive property of Schneider Electric. Copyright reserved. This drawing must not be used for any purpose other than the expressly permitted in writing by the owners and must not be disclosed or reproduced in any way without permission from the owners in writing. This drawing must be returned to the owners when the process has ended.

| | | |
|----------------|----------------|-----------------|
| CATALOG NUMBER | VOLTAGE RATING | AMPERAGE RATING |
| VH223NDSGL | 240VAC/VDC | 100A |

| HORSEPOWER RATINGS | | | |
|--------------------|---|-----|-----|
| VOLTS | Ø | STD | MAX |
| 240V~ | 1 | 7.5 | 15 |
| 240V~ | 3 | 15 | 30 |
| 250V= | | 20 | |



| ACCESORIES | | |
|-------------------------|-------------|--|
| KIT | VOLTAGE | PART NUMBER |
| ELECTRICAL INTERLOCK | 600V & 240V | EIK1, EIK2 |
| CLASS R FUSE KITS | 600V & 240V | RFK10 |
| INTERNAL BARRIER | 600V & 240V | SS10 |
| FUSE PULLER | 600V & 240V | JFPK0610 |
| SOLID NEUTRAL ASSEMBLY | 600V & 240V | SN0610 for Al SN0610C for Cu |
| EQUIPMENT GROUNDING KIT | 600V & 240V | GTK0610 for Al GTK0610C for Cu |
| TOUCH UP PAINT | 600V & 240V | PK49SP |
| LOCK OFF/ON | 600V & 240V | LOGK2 |
| COPPER LUGS | 600V & 240V | CL10F |
| COMPRESSION LUGS | 600V & 240V | VCEL02114S1 for Al VCEL02114S1 for Cu |

| | | | |
|---|--|--------------------------|-------------------------|
| | Scale: NTS | Technical Specification: | Units of measure: in |
| | Document Description: APVH223NDSGL_CUSTOMER-DRAWING | | |
| Document Number: APVH223NDSGL_CUSTOMER-DRAWING | | Doc. Rev. 00 | Sheet: 3/3 |

The information is highly confidential and is the exclusive property of Schneider Electric. Copyright reserved. This drawing may not be used for any purpose other than that expressly permitted in writing by the owners and may not be disclosed or reproduced in any way without permission from the owners in writing. This drawing may be returned to the owners when the service has ceased.