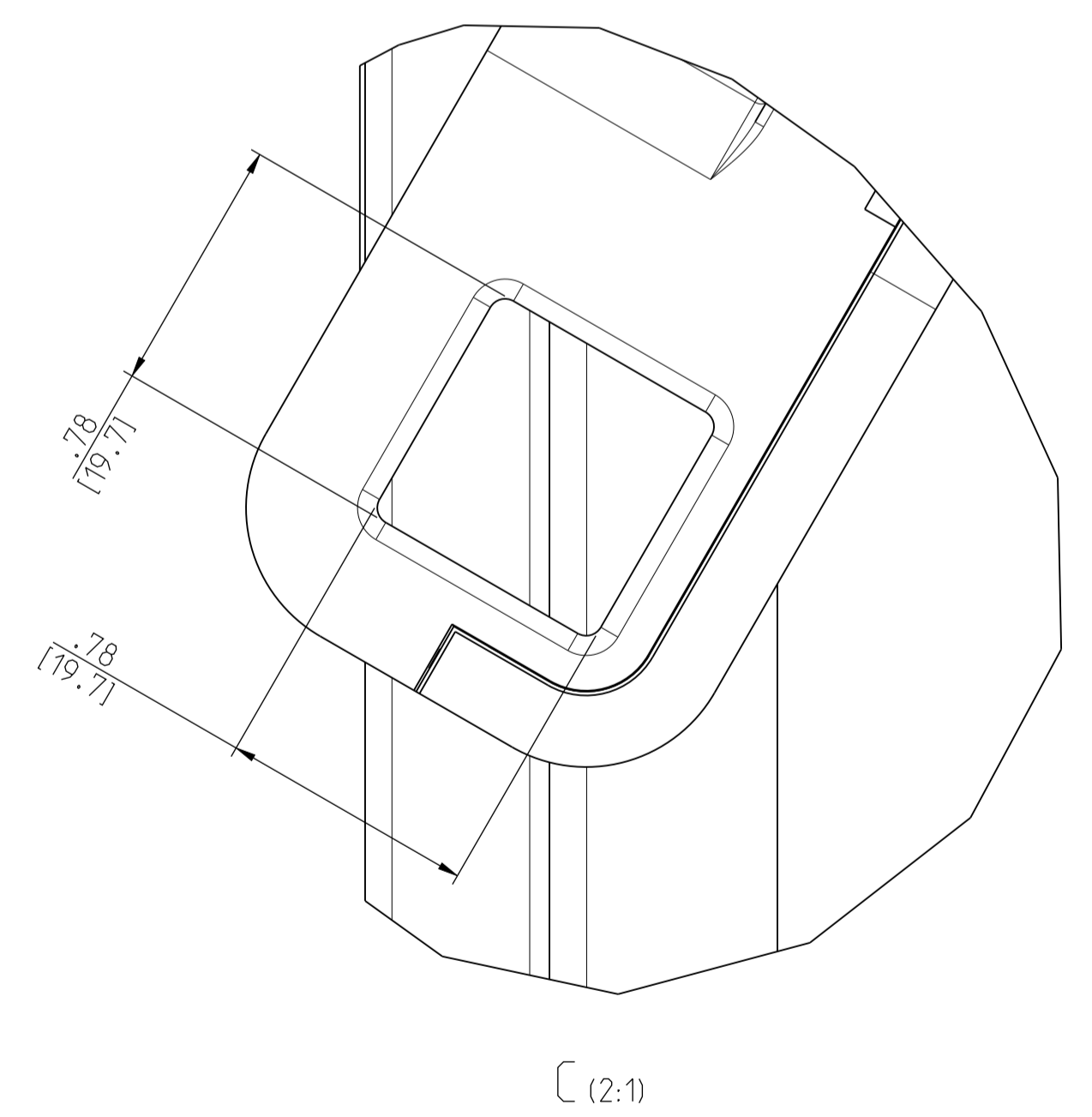
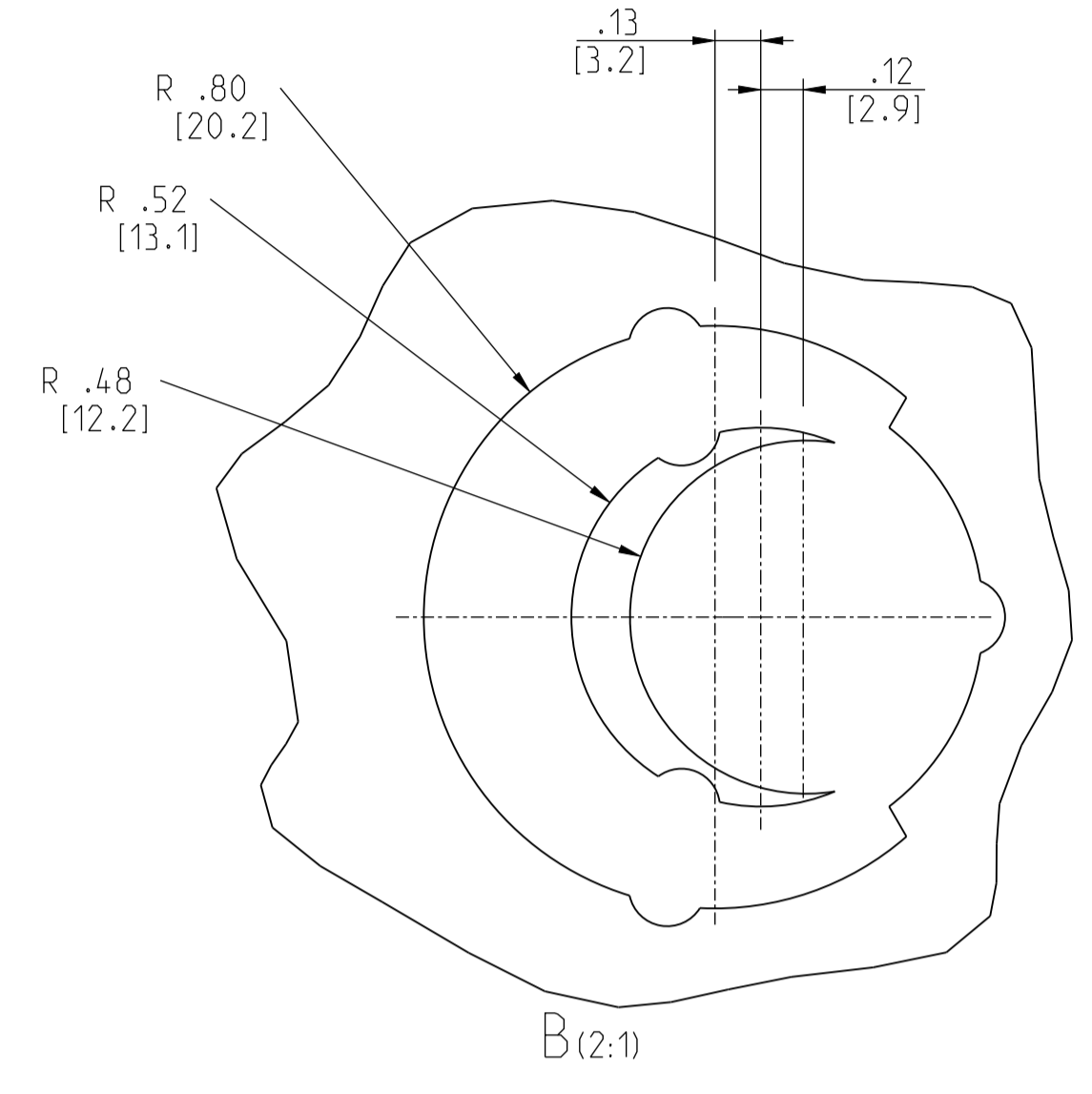
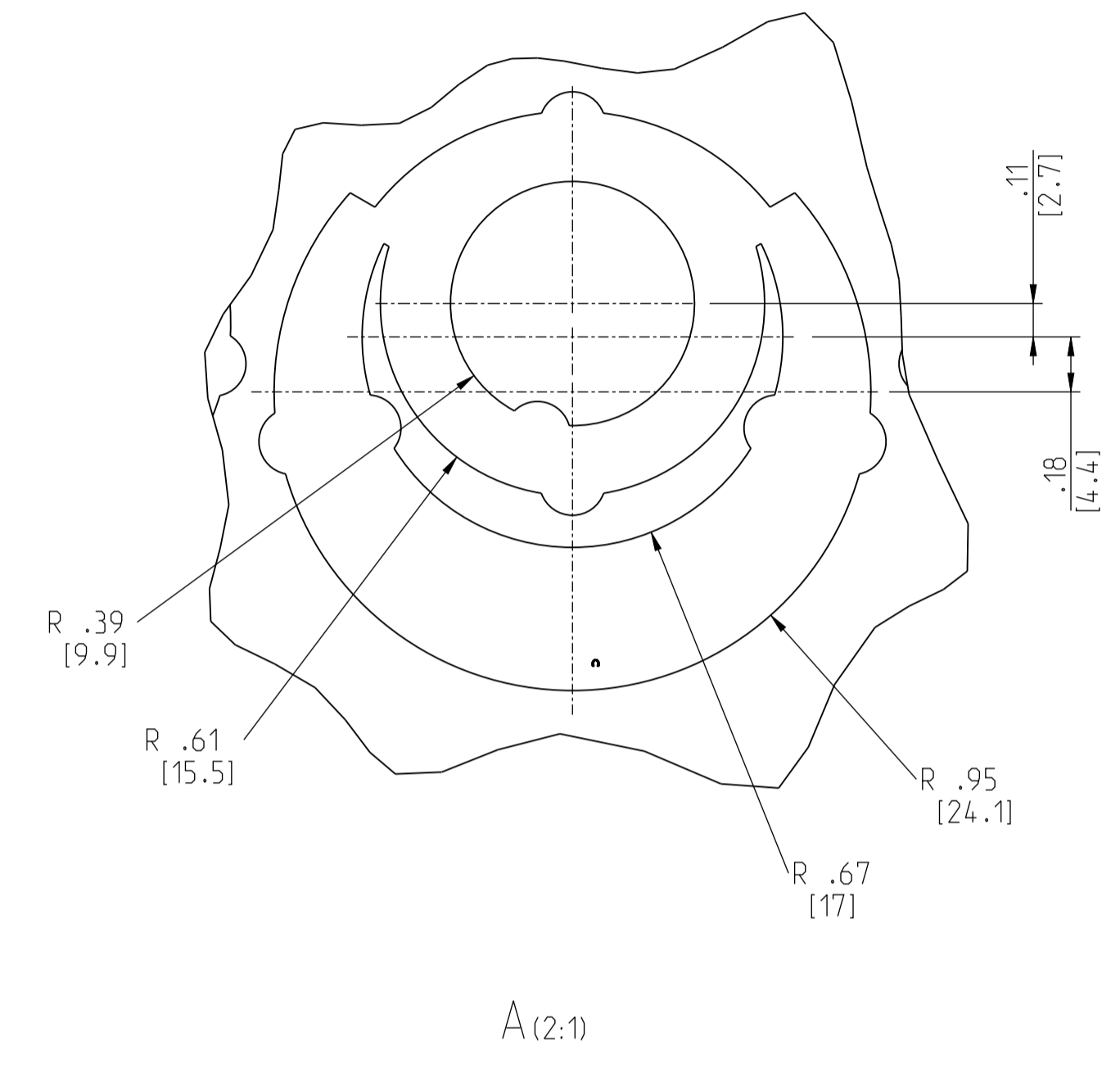
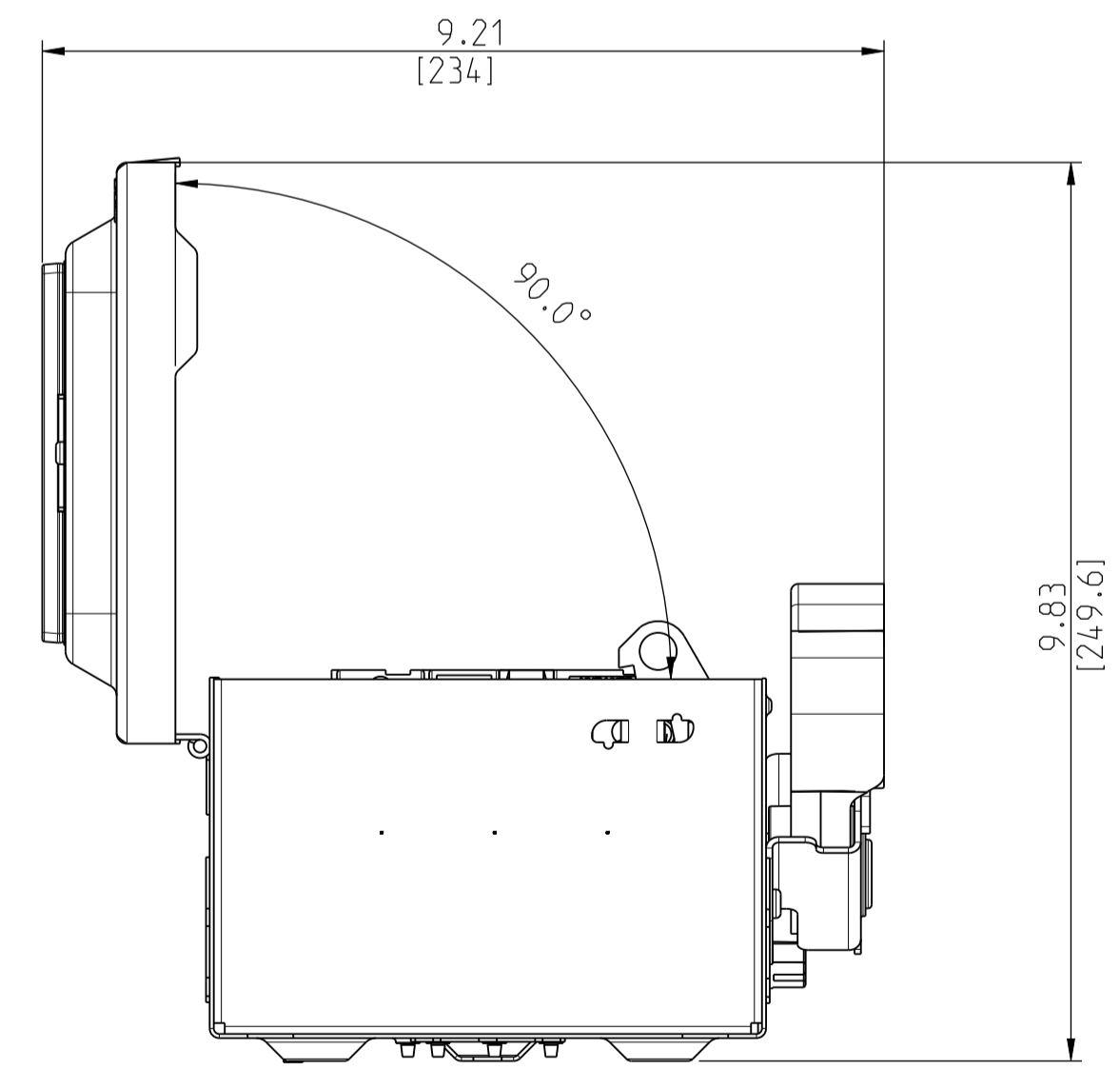
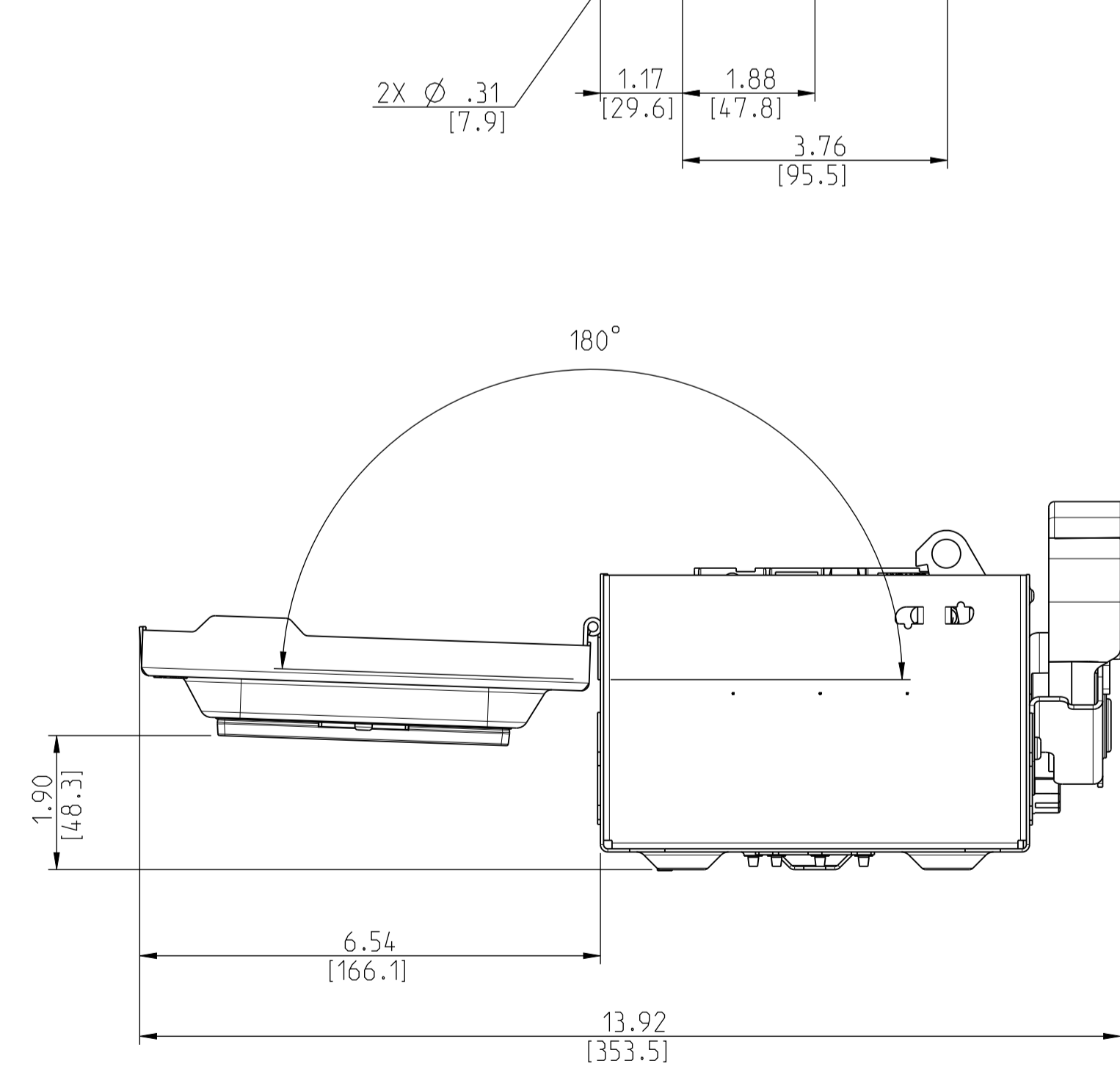
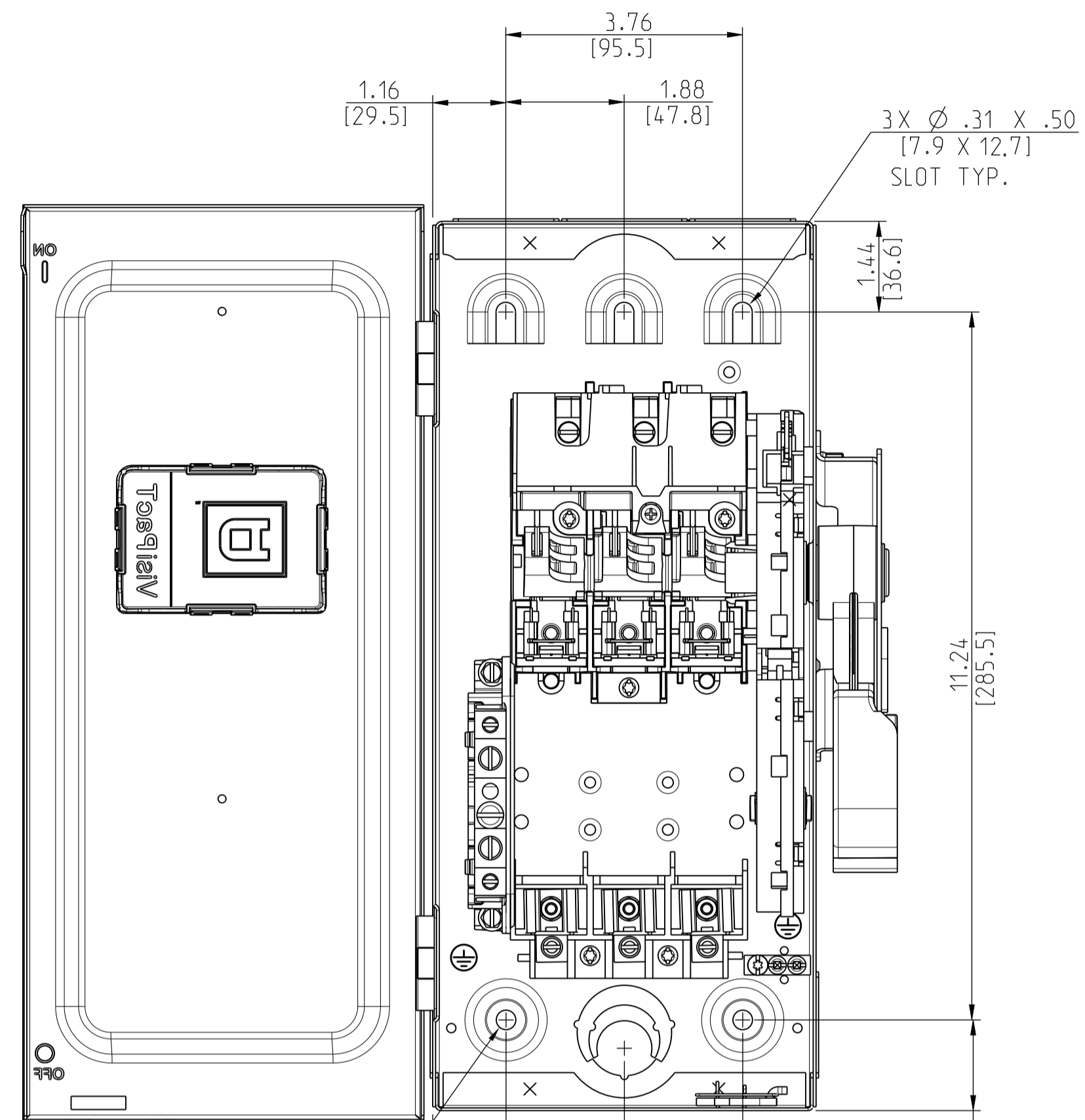


	Scale: 1:2	Technical Specification:	Units of measure : in
	Document Description: APVH221BGL_CUSTOMER-DRAWING		
Document Number: APVH221BGL_CUSTOMER-DRAWING		Doc. Rev. 00	Sheet: 1/3
The information is highly confidential and is the exclusive property of Schneider Electric. <small>Copyright reserved. This drawing may not be used for any purpose other than that expressly permitted in writing by the supplier and may not be disclosed or reproduced in any way without permission from the supplier in writing. This drawing may be modified without notice.</small>			State: Provisional

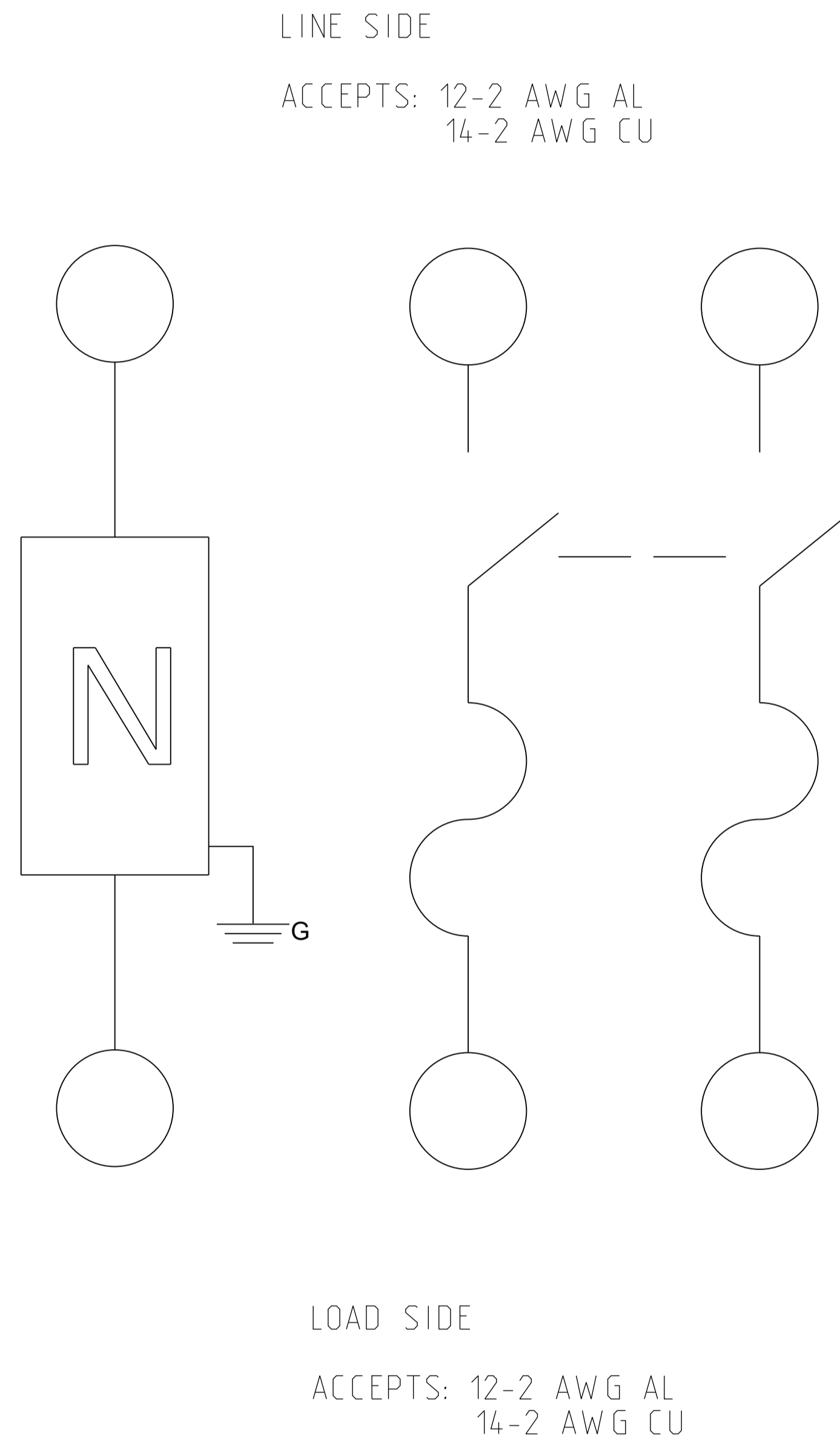


	Scale: 1:2	Technical Specification:	Units of measure: in
	Document Description: APVH221BGL_CUSTOMER-DRAWING		Doc. Rev. Sheet: OO 2/3
Document Number: APVH221BGL_CUSTOMER-DRAWING		State:	

CATALOG NUMBER	VOLTAGE RATING	AMPERAGE RATING
VH221BGL	240VAC/VDC	30

HORSEPOWER RATINGS			
VOLTS	Ø	STD	MAX
120V~	1	0.5	2
240V~	1	1.5	3
240V~	3	3	7.5
125V ⁻⁻⁻	--	2	3
250V ⁻⁻⁻	--	5	--

KIT	VOLTAGE	PART NUMBER
ELECTRICAL INTERLOCK	600V & 240V	EIK031, EIK032
CLASS R FUSE KITS	600V	RFK03L, RFK06
	240V	RFK03L
INTERNAL BARRIER	600V & 240V	SS03
FUSE PULLER	600V & 240V	FPK03
SOLID NEUTRAL ASSEMBLY	600V & 240V	SN03 for Al SN03C for Cu
EQUIPMENT GROUNDING KIT	600V & 240V	GTK03 for Al GTK03C for Cu
TOUCH UP PAINT	600V & 240V	PK49SP
LOCK OFF/ON	600V & 240V	LOGK1
COPPER LUGS	600V & 240V	CL0306F



	Scale: 1:1	Technical Specification:	Units of measure: in
	Document Description: APVH221BGL_CUSTOMER-DRAWING		Doc. Rev. Sheet: 00 3/3
Document Number: APVH221BGL_CUSTOMER-DRAWING		State:	

The information is highly confidential and is the exclusive property of Schneider Electric. Copyright reserved. This drawing may not be used for any purpose other than that expressly permitted in writing by the owners and may not be disclosed or reproduced in any way without permission from the owners. In addition, this drawing may be subject to the patent laws of the country of origin.