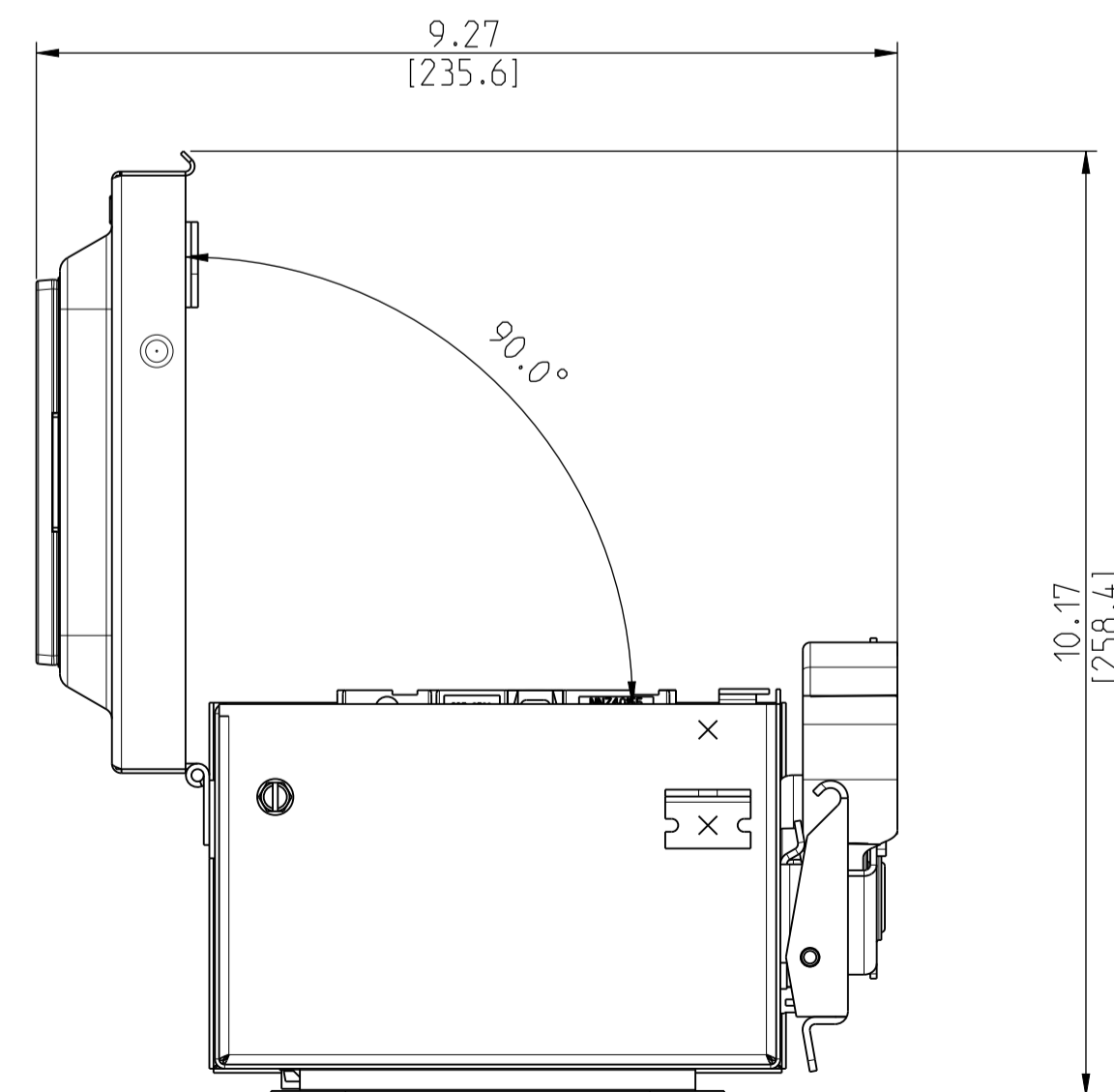
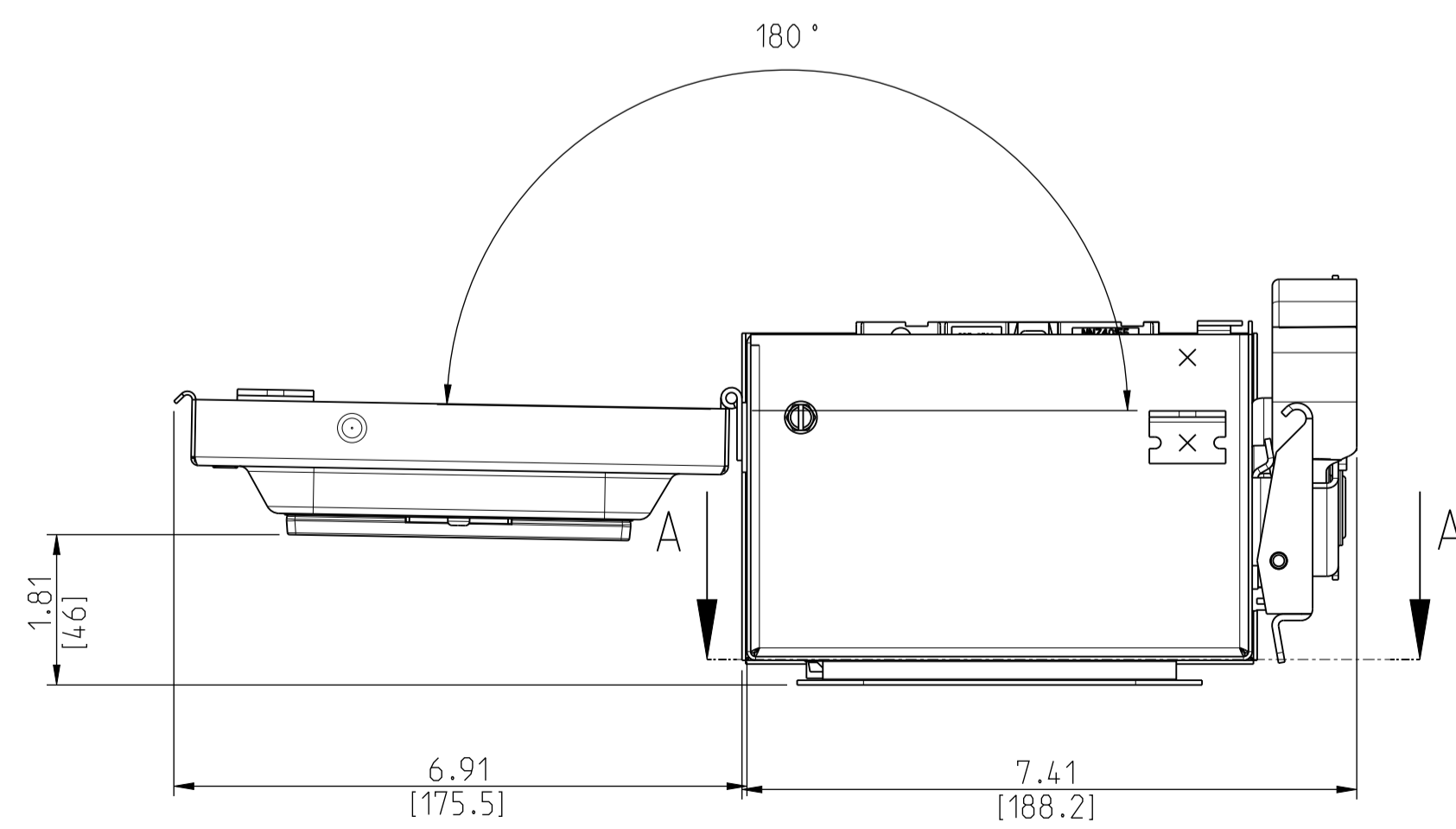
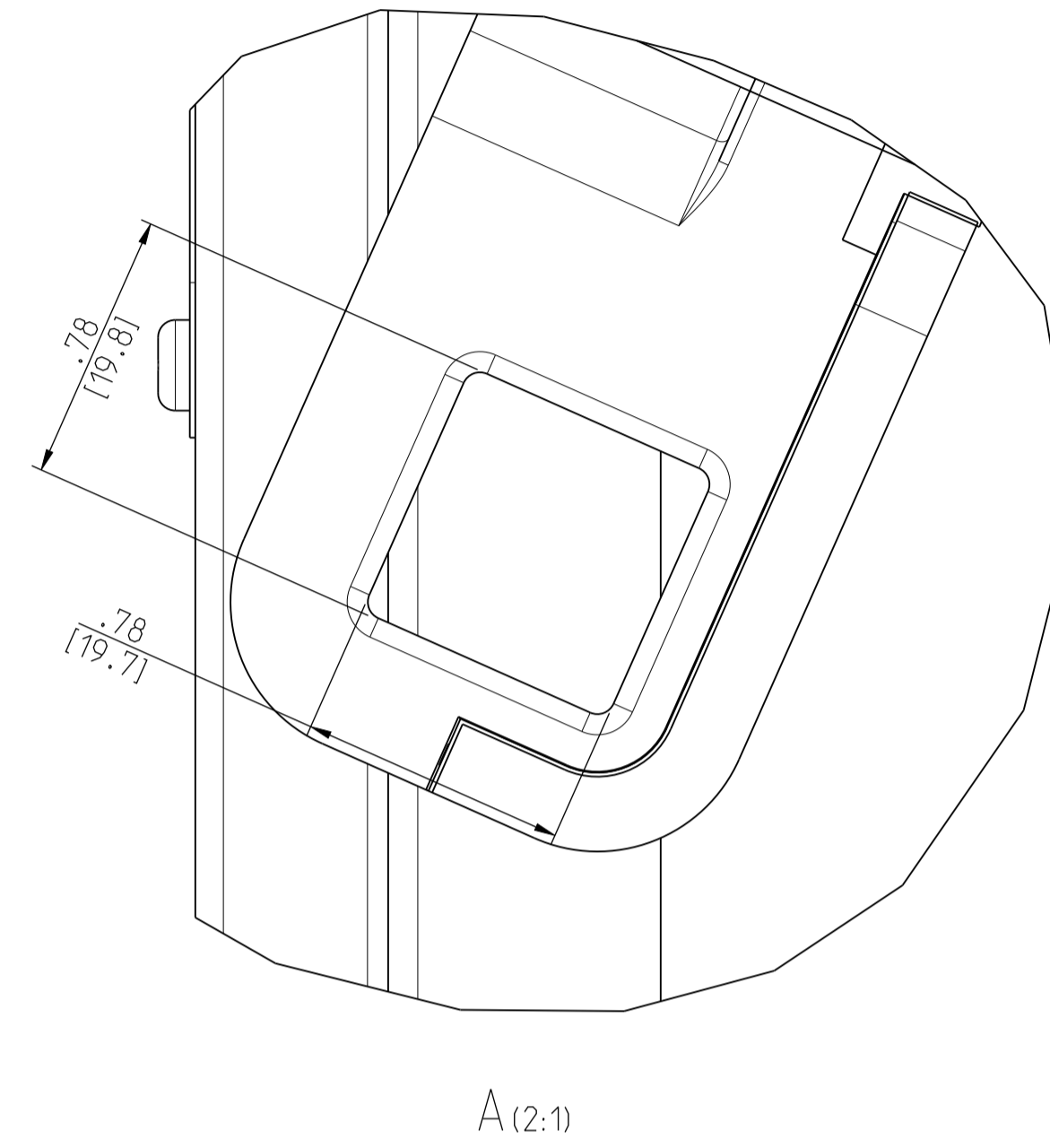
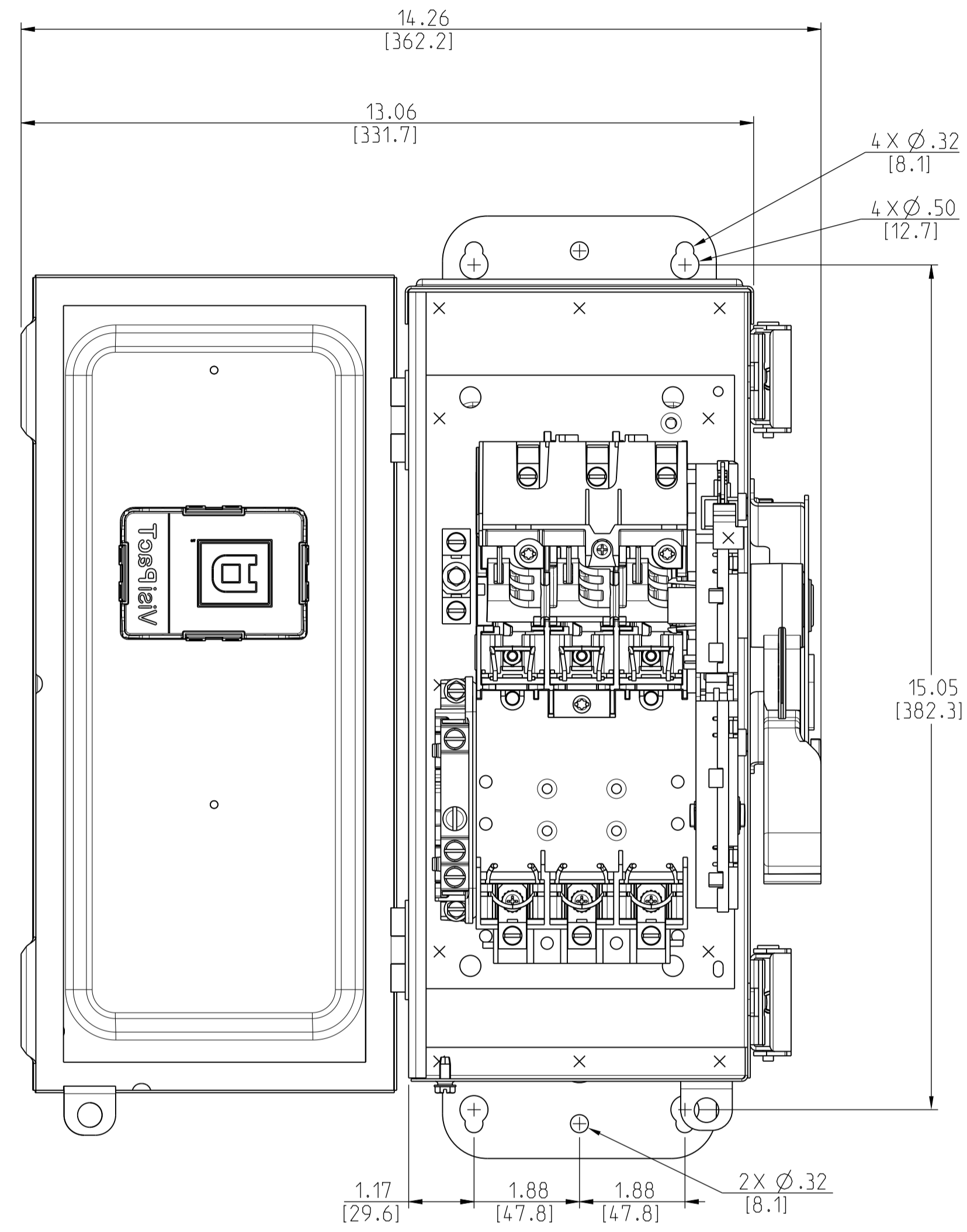


	Scale: 1:2	Technical Specification:	Units of measure: in
	Document Description: APVH221BAWKGL_CUSTOMER-DRAWING		
Document Number: APVH221BAWKGL_CUSTOMER-DRAWING		Doc. Rev.:	Sheet:
		00	1/3

The information is highly confidential and is the exclusive property of Schneider Electric. Copyright reserved. This drawing may not be used for any purpose other than the expressly permitted in writing by the client and may not be disclosed or reproduced in any way without permission from the client. This drawing shall be returned to the client when the contract is closed.

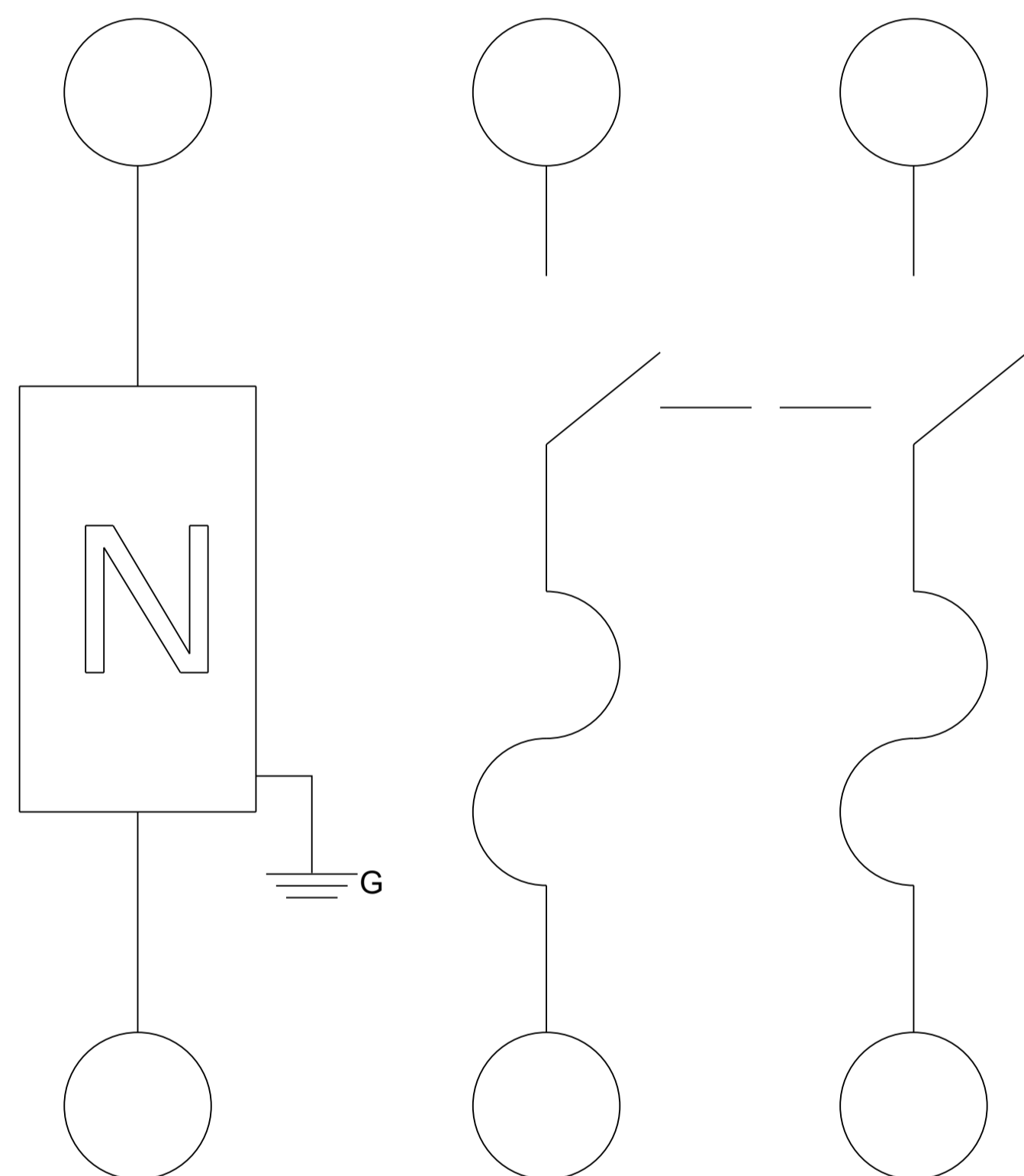


	Scale: 1:2	Technical Specification:	Units of measure: in
	Document Description: APVH221BAWKGL_CUSTOMER-DRAWING		Doc. Rev. Sheet: OO 2/3
Document Number: APVH221BAWKGL_CUSTOMER-DRAWING		State:	

The information is highly confidential and is the exclusive property of Schneider Electric. Copyright reserved. This drawing must not be used for any purpose other than that expressly permitted in writing by the owners and must not be disclosed or reproduced in any way without permission from the owners in writing. This drawing must be returned to the owners when the project has closed.

LINE SIDE

ACCEPTS: 12-2 AWG AL
14-2 AWG CU



LOAD SIDE

ACCEPTS: 12-2 AWG AL
14-2 AWG CU

CATALOG NUMBER	VOLTAGE RATING	AMPERAGE RATING
VH221BAWKGL	240VAC/VDC	30

HORSEPOWER RATINGS			
VOLTS	Ø	STD	MAX
120V~	1	0.5	2
240V~	1	1.5	3
240V~	3	3	7.5
125V=	--	2	3
250V=	--	5	--

KIT	VOLTAGE	PART NUMBER
ELECTRICAL INTERLOCK	600V & 240V	EIK031, EIK032
CLASS R FUSE KITS	600V	RFK03L, RFK06
	240V	RFK03L
INTERNAL BARRIER	600V & 240V	SS03
FUSE PULLER	600V & 240V	FPK03
SOLID NEUTRAL ASSEMBLY	600V & 240V	SN03 for Al SN03C for Cu
EQUIPMENT GROUNDING KIT	600V & 240V	GTK03 for Al GTK03C for Cu
TOUCH UP PAINT	600V & 240V	PK49SP
LOCK OFF/ON	600V & 240V	LOGK1
COPPER LUGS	600V & 240V	CL0306F

	Scale: NTS	Technical Specification:	Units of measure: in
	Document Description: APVH221BAWKGL_CUSTOMER-DRAWING		
Document Number: APVH221BAWKGL_CUSTOMER-DRAWING		Doc. Rev. 00	Sheet: 3/3

The information is highly confidential and is the exclusive property of Schneider Electric. Copyright reserved. This drawing may not be used for any purpose other than that expressly permitted in writing by the owners and may not be disclosed or reproduced in any way without permission from the owners. This drawing may be referred to in the names when the orders are placed.