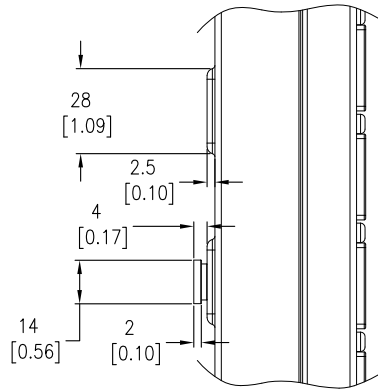
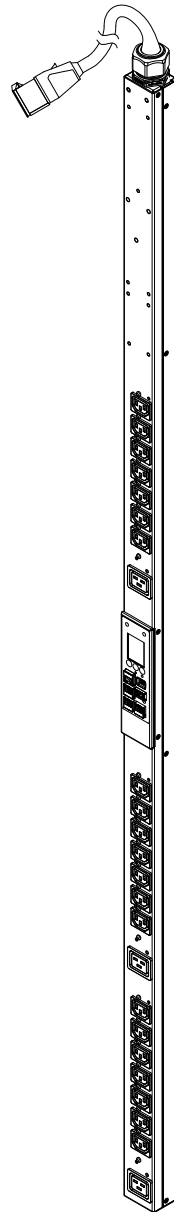


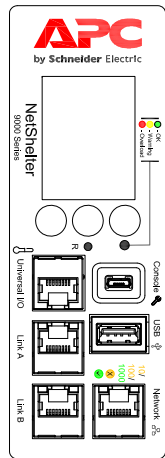
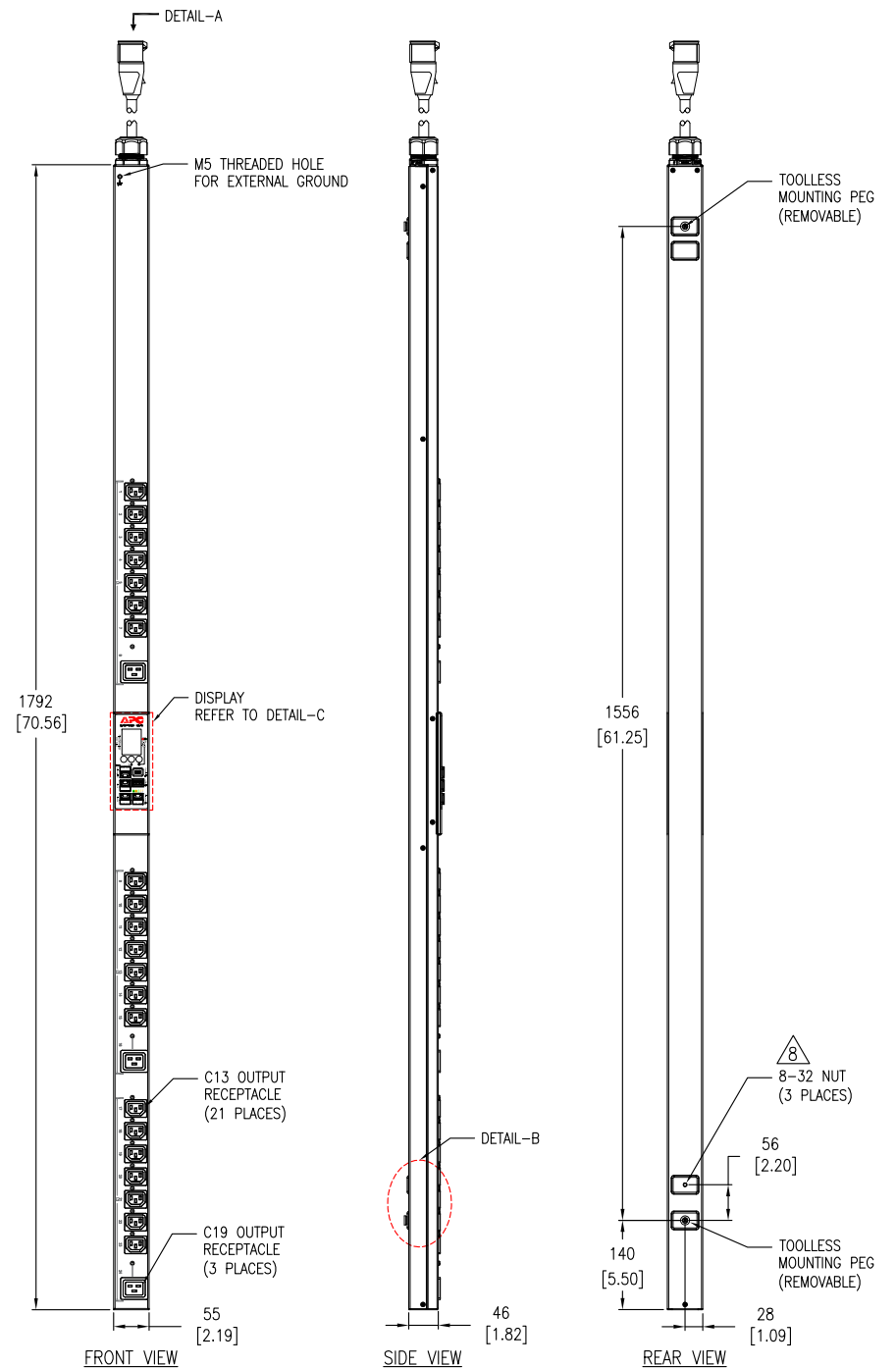
DETAIL-A
(IEC309, 16A PLUG)



DETAIL-B



ISOMETRIC VIEW



DETAIL-C (DISPLAY)

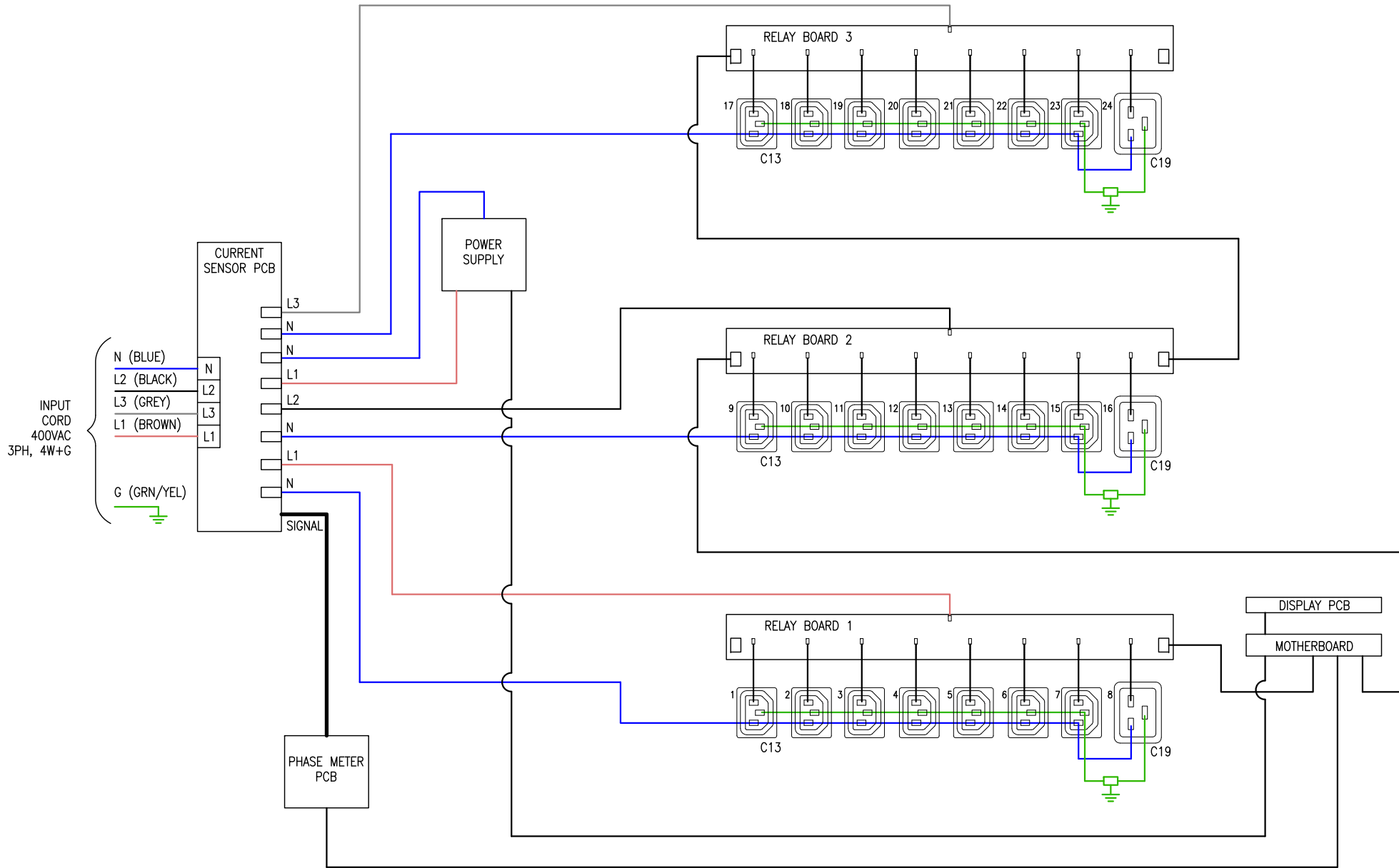
NOTES:

1. INSTALLATION SHALL COMPLY WITH ALL APPLICABLE NATIONAL, STATE AND LOCAL ELECTRICAL CODES..
2. REFER TO PRODUCT DOCUMENTATION FOR ADDITIONAL DETAILS PRIOR TO INSTALLATION AND SITE PREPARATION WORK
3. UNLESS OTHERWISE SPECIFIED, ALL DIMENSIONS ARE IN MILLIMETERS [INCHES].
4. NET WEIGHT OF UNIT IS 7.0 kg [15.4 lb].
5. LENGTH OF THE CORD IS 1830mm [72 INCHES].
6. UNIVERSAL MOUNTING BRACKET IS AN ALTERNATIVE MOUNTING METHOD TO THE TOOLLESS MOUNT FOR 3RD PARTY ENCLOSURES. BRACKET IS PROVIDED WITH THE UNIT. DETAILED INSTALLATION INSTRUCTIONS CAN BE FOUND IN THE PROVIDED MANUAL.
7. BRACKET KITS TO MOUNT TO SPECIFIC 3RD PARTY ENCLOSURES ARE AVAILABLE AS OPTIONS.
- △ 8. REFER TO WARNING LABEL ON REAR OF UNIT FOR SCREW MOUNTING.

THIS DRAWING AND SPECIFICATIONS HEREIN ARE THE PROPERTY OF SCHNEIDER ELECTRIC AND SHALL NOT BE COPIED, REPRODUCED OR USED IN WHOLE OR IN PART, AS THE BASIS FOR THE MANUFACTURE OR SALE OF ITEMS WITHOUT WRITTEN PERMISSION FROM SCHNEIDER ELECTRIC. THIS DRAWING IS BASED UPON LATEST AVAILABLE INFORMATION AND IS SUBJECT TO CHANGE WITHOUT NOTICE.



TITLE: APC NetShelter RACK PDU, 9000 SWITCHED, ZERO U, 11kW, 230V INPUT: IEC309, 16A OUTPUT: (21) IEC320 C13 & (3) IEC320 C19 GENERAL ARRANGEMENT		DWG NO: APDU9981EU3 REV. 0	
PROJECT: SUBMITTAL DRAWING	SHEET 1 OF 2	DRAWN: JAYAPRAKASH	15-SEP-20
		ENGINEER: YUCHUN JIANG	06-OCT-20
		APPROVED: WeiCheng CHENG	06-OCT-20
			FIRST ANGLE PROJECTION



NOTES:

1. INSTALLATION SHALL COMPLY WITH ALL APPLICABLE NATIONAL, STATE AND LOCAL ELECTRICAL CODES.
2. REFER TO PRODUCT DOCUMENTATION FOR ADDITIONAL DETAILS PRIOR TO INSTALLATION AND PREPARATION WORK.
3. THIS DRAWING DEPICTS THE POWER SYSTEM CONNECTIONS AND IS NOT REPRESENTATIVE OF THE PHYSICAL LAYOUT. PLEASE REFER TO MECHANICAL DRAWINGS FOR PHYSICAL LAYOUT.

THIS DRAWING AND SPECIFICATIONS HEREIN ARE THE PROPERTY OF SCHNEIDER ELECTRIC AND SHALL NOT BE COPIED, REPRODUCED OR USED IN WHOLE OR IN PART, AS THE BASIS FOR THE MANUFACTURE OR SALE OF ITEMS WITHOUT WRITTEN PERMISSION FROM SCHNEIDER ELECTRIC. THIS DRAWING IS BASED UPON LATEST AVAILABLE INFORMATION AND IS SUBJECT TO CHANGE WITHOUT NOTICE.



TITLE: APC NetShelter RACK PDU, 9000 SWITCHED, ZERO U, 11kW, 230V
 INPUT: IEC309, 16A
 OUTPUT: (21) IEC320 C13 & (3) IEC320 C19
 SCHEMATIC DIAGRAM

PROJECT: SUBMITTAL DRAWING SHEET 2 OF 2

DWG NO: APDU9981EU3 REV. 0

DRAWN: JAYAPRAKASH	15-SEP-20	ANGLE PROJECTION
ENGINEER: YUCHUN JIANG	06-OCT-20	N.A.
APPROVED: WeiCheng CHENG	06-OCT-20	