



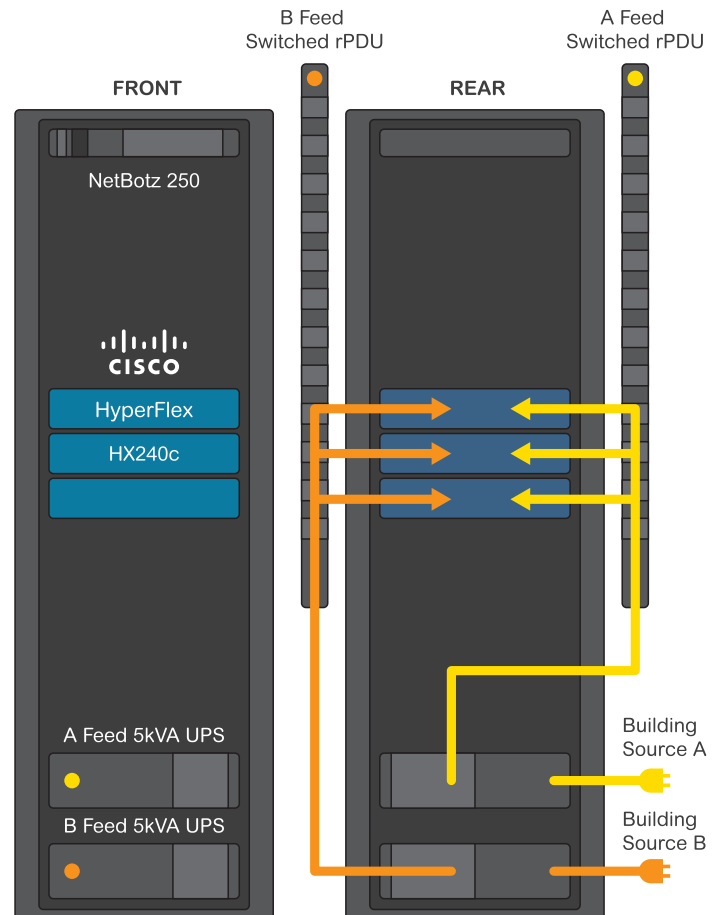
Cisco HyperFlex Reference Architectures

Purpose built, pre-validated, and Cisco Certified for Cisco HyperFlex platform and Cisco HyperFlex platform for SMB and Remote Office/Branch Office space.

Cisco HyperFlex systems simplify and minimize IT deployments risks. To support them, you need compatible physical infrastructure solutions that are integrated, pre-engineered, and pre-validated. You need to lower your time-to-market and deployment time; you also need to minimize on-site and remote management as well as change management costs.

Enterprise Solution for data center environments

Enterprise Solution Details		
Cisco		HyperFlex HX240c
Rack	1	AR3100SP NetShelter SX 42U with Shock Pallet
UPS	2	SRT5KRMXLT Smart UPS 5000VA RM 208V
rPDU	2	AP8941 Rack PDU, Switched Zero U, 30A, 200/208V, (21) C13 & (3) C19
Power Cord Kit	1	AR8706S-NA Power Cord Kit (6 ea), Locking, C13 to C14, 1.8m, North America
NetBotz 250	1	NBACS125 NetBotz 125kHz Rack Access Control
Cable Management	1	AR8429 Horizontal Cable Organizer 1U with Brush Strip
Blanking Panels	1	AR8136BLK Toolless Airflow Management Blanking Panel – Qty 10
Options		
Software		StruxureWare Data Center Operation
Services		LifeCycle Services
Office Rack Solution		NetShelter CX Product Family



Complete Products

APC by Schneider Electric provides a purpose-built infrastructure and physical management wrapper for converged and hyperconverged architectures, allowing organizations to simply and efficiently deliver a complete and highly energy-efficient IT solution that is pre-tested, optimized, and able to be rapidly deployed.

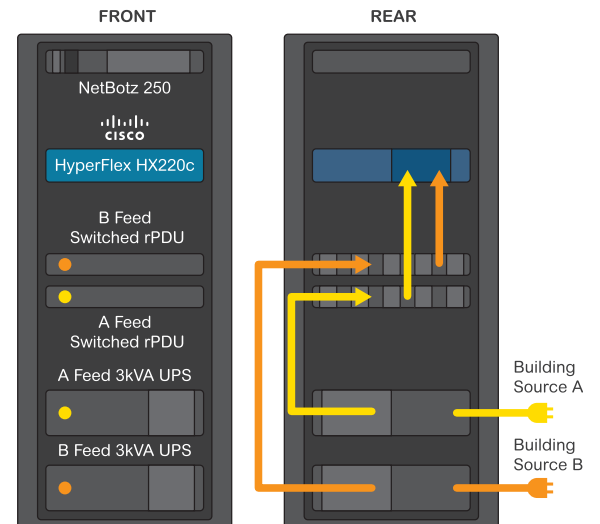
Certainty in a Connected World

APC's proven industry leadership and collaborative technology provide integrated solutions for the transformation of IT. These solutions enable connectivity, reliability, and accessibility through validation and certifications with the largest IT vendors and alliances.

Remote Office/Branch Office and SMB Solutions

for smaller, distributed IT environments outside of the data center

Remote/Branch/SMB Solution Details		
Cisco		HyperFlex HX220c
Rack	1	AR3104SP1 NetShelter SX 24U with Shock Pallet
UPS	2	SMX3000RMLV2UNC Smart UPS X 3000VA Rack/ Tower LCD 100-127V with Network Card
rPDU	2	AP7902B Rack PDU, Switched 2U, 30A, 120V, (16)5-20
Netbotz 250	1	NBACS125 NetBotz 125kHz Rack Access Control
Cable Management	1	AR8429 Horizontal Cable Organizer 1U with Brush Strip
Power Cord Kit	1	AP9891 Power Cord Kit (5 ea), C13 - 5-15P, 0.6m
Blanking Panels	1	AR8136BLK Toolless Airflow Management Blanking Panel - Qty 10
Options		
Software		StruxureWare Data Center Expert
Services		LifeCycle Services
Office Rack Solution		NetShelter CX Product Family



*Configurability is available via Local Edge Configurator on Design Portal

Complete Management:

Management tools from APC by Schneider Electric seamlessly integrate with the IT hardware allowing for remote management, reducing the need and cost of on-site IT support staff.

apc.com/cisco-alliance



Life Is On

