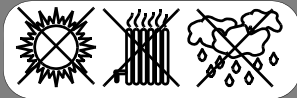


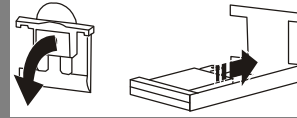
by Schneider Electric

## 1 Place and Power On

- 1 Place the Back-UPS to avoid:
- Direct sunlight
  - Excessive heat
  - Excessive moisture

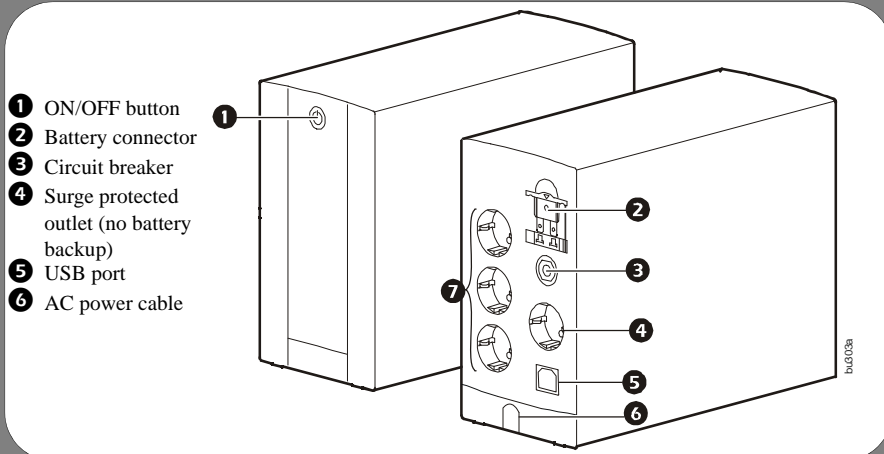


- 2 Connect the battery by pulling the battery connector handle down, and then pushing it into the unit.



- 3 Plug the Back-UPS BX650CI-GR power cord directly into a wall outlet; not into a surge protector or power strip.

- 4 Press the ON/OFF button to turn on the unit. The green "Power On" indicator confirms that the Back-UPS is on and ready to provide protection. The Back-UPS should charge for at least 10 hours to ensure sufficient runtime. The unit is being charged whenever it is connected to AC power, whether the unit is turned ON or OFF.



- 1 ON/OFF button
- 2 Battery connector
- 3 Circuit breaker
- 4 Surge protected outlet (no battery backup)
- 5 USB port
- 6 AC power cable

### PowerChute™ Personal Edition Software

PowerChute Personal Edition Software allows you to use your computer to access additional power protection and management features of the Back-UPS.

#### Installation

Connect the Back-UPS to a computer using a USB cable. Plug one end into the PowerChute Port on the rear panel of the Back-UPS and the other into a USB port on your computer.

Insert the PowerChute CD into your computer and follow the on-screen instructions.

For a detailed operation, go to [www.apc.com](http://www.apc.com) and select the matching software and firmware.

## 3 Status Indicators

LED	Audible Alarm	Condition
Illuminates Green	None	<b>Power On</b> - The Back-UPS is supplying AC power to the connected equipment.
	Constant tone	<b>Overload Alarm</b> - The Back-UPS draws more voltage than the AC voltage rating allows. Disconnect non-essential equipment.
	Constant beeping	<b>Overload Shutdown</b> - While operating on AC power the Back-UPS experiences an overload condition. Disconnect non-essential equipment, one device at a time until the overload condition has been corrected. The Back-UPS will shutdown if the overload condition is not corrected.
Illuminates Green The LED is not illuminated during the beeps.	4 beeps once every 30 seconds	<b>On Battery</b> - The Back-UPS is supplying battery power to the battery backup outlet.
Flashes Green	Rapid beeps once every 1/2 second	<b>Low Battery Warning</b> - The Back-UPS is supplying battery power to the battery backup outlet and the battery is near a total discharge state. The Back-UPS has 2 minutes of runtime remaining before shutdown.
	Constant tone	<b>Bad Battery Warning</b> - The battery needs to be charged, or is at the end of its service life. The battery in this unit is not replaceable. Contact Schneider Electric IT (SEIT) Technical Support.
	Chirps once every 2 seconds	<b>Charger Warning</b> - The Back-UPS has experienced an internal fault, and continues to provide power to the connected equipment. Contact SEIT Technical Support.
Not Illuminated	Constant tone	<b>On Battery Overload</b> - While operating on battery power the connected equipment draws more voltage than the battery capacity can provide. Disconnect non-essential equipment, one device at a time until the overload condition has been corrected. If the problem persists, contact SEIT Technical Support.
	Constant tone	<b>Internal Charger Fault</b> - The Back-UPS experiences an internal fault and no longer provides power to connected equipment. Contact SEIT Technical Support
	Constant tone	<b>Temperature Fault</b> - The Back-UPS has overheated and has shut down.
	Short beeps every 4 seconds	<b>Low Battery Shutdown</b> - During On Battery operation the battery is at a complete discharge state and the Back-UPS stops providing output power. (Once AC power is restored the Back-UPS will return to normal operation.)

## EAC Requirements

<b>EAC</b>	<b>Product type</b>	UPS
	<b>Models</b>	BX650CI-GR
	<b>Manufacturer contact information</b>	International Precision Assemblies Inc. Lot 2 Block 17 Phase IV, PEZA Rosario 4106 Cavite, Philippines
<b>Transportation conditions</b>		Battery key should be disconnected prior to transportation.
<b>Type of atmosphere for operations</b>		Normal
<b>Type of environment for operations</b>		Normal
<b>Date of manufacturing</b>		Printed on packaging.
<b>Made in Philippines</b>		
<b>Company representative in Russia</b>		ZAO Schneider Electric 127018, Moscow, Dvintsev street 12, Building 1
<b>Product life time</b>		3 to 5 years
<b>Warranty</b>		2 years

## 2 Adjust Transfer Voltage and Sensitivity Settings

Automatic Voltage Regulation boosts the AC voltage when it drops below safe levels. This allows the equipment plugged into the unit to operate during low voltage conditions, conserving the battery power in the event of a power cut.

The Back-UPS will switch to battery power if the input voltage level becomes too low for the Automatic Voltage Regulation to compensate, or if the AC power is distorted.

If the Back-UPS switches to battery power too frequently or too infrequently, adjust the transfer voltage and sensitivity settings:

1. Ensure the Back-UPS is off. Plug it into AC power.
2. Press and hold the ON/OFF button until the LED repeatedly flashes. The unit is now in Program Mode.
3. Release the button. The LED will flash once, twice, or three times per second, indicating the current setting.
4. Press the ON/OFF button within two seconds to change the setting. Each time the button is pressed, the LED will flash at a different rate: once, twice, or three times per second, indicating the new setting. Continue pressing the button until the desired setting is reached. If the button is not pressed within five seconds, the Back-UPS will exit the Program Mode.
5. To exit Program Mode, release the button and wait for the LED to stop flashing

### No-load Shutdown

If the UPS is operating on battery power and detects that the connected equipment is using less than 15 W of energy for more than 15 minutes, it will shut down to conserve energy. When the UPS is reconnected to AC power, the UPS will automatically switch on.

**Note:** Even if the UPS is OFF, it is still protecting connected equipment from power surges.

LED Flashing	Audible Indicator	Voltage Sensitivity Setting	Input Voltage Range	No-load Shutdown	Description
Once per second	None	Low	140-300	Disabled	The Back-UPS will switch to battery power less often.
Once per second	4 beeps per second	Low	140-300	Enabled	The Back-UPS will switch to battery power less often.
Twice per second	None	Medium	140-300	Disabled	Use when the input AC power is normal, without any fluctuation in voltage levels.
Twice per second	4 beeps per second	Medium (factory default)	140-300	Enabled	Use when the input AC power is normal, without any fluctuation in voltage levels.
Three times per second	None	High	150-290	Disabled	The Back-UPS will switch to battery power during any small fluctuation in voltage.
Three times per second	4 beeps per second	High	150-290	Enabled	The Back-UPS will switch to battery power during any small fluctuation in voltage.

## 4 Specifications

<b>Input</b>	Voltage	230 VAC nominal
	Frequency	50/60 Hz
	Brownout Transfer	140 VAC (maximum adjustable)
	Over-voltage Transfer	300 VAC (maximum adjustable)
<b>Output</b>	UPS Capacity (total)	650 VA/390 W
	Voltage On Battery	230 Vac rms (step-approximated sine wave)
	Frequency - On Battery	50 Hz ±1 Hz, 60 Hz ±1 Hz
	Transfer Time	6 ms typical, 10 ms maximum
<b>Protection and Filtering</b>	AC Surge Protection	Full time, 273 joules
	AC Input	Resettable circuit breaker
<b>Battery</b>	Type (maintenance-free)	12 V, 7.2 Ah
	Average Life	2 - 5 years depending on the number of discharge cycles and environmental temperature
	Typical Recharge Time	8 Hours
<b>Physical</b>	Net Weight	6.0 kg
	Dimensions (H x W x D)	20 cm x 11.5 cm x 25.6 cm

## Battery Replacement

The battery in the Back-UPS BX650CI-GR is not user-replaceable. Contact SEIT Technical Support for a list of authorized service centers near you.

## Troubleshooting and Service

1. Consult the Troubleshooting from the APC by Schneider Electric Web site, [www.apc.com](http://www.apc.com).
2. If the problem persists, contact Schneider Electric IT (SEIT) Customer Support through the APC by Schneider Electric Web site, [www.apc.com](http://www.apc.com).
  - a. Note the model number and serial number and the date of purchase. The model and serial numbers are located on the rear panel of the unit and are available through the LCD display on select models.
  - b. Call SEIT Customer Support and a technician will attempt to solve the problem over the phone. If this is not possible, the technician will issue a Returned Material Authorization Number (RMA#).
  - c. If the unit is under warranty, the repairs are free.
  - d. Service procedures and returns may vary internationally. Refer to the APC by Schneider Electric Web site for country specific instructions.
3. Prepare to troubleshoot the problem over the phone. If this is not successful, and the unit is still under warranty, the Technical Support Representative will provide all necessary information to return the unit for replacement.

## APC by Schneider Electric IT Customer Support Worldwide

For country specific customer support, go to the APC by Schneider Electric Web site, [www.apc.com](http://www.apc.com).

Register your product on-line. <http://warranty.apc.com>