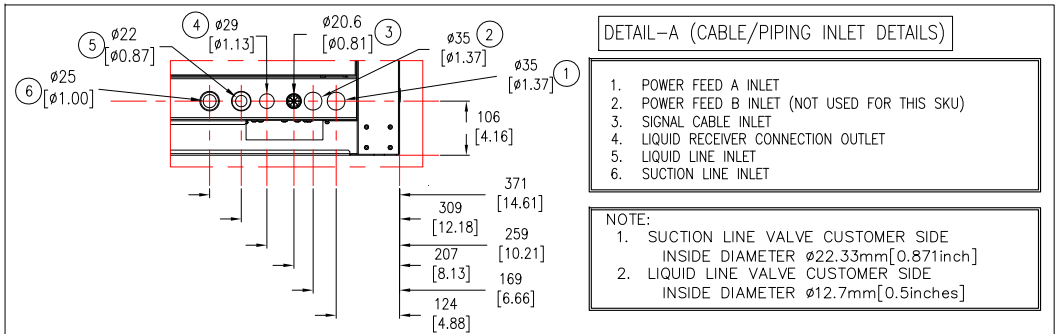


REFER TO DRAWING "ACAC75016-10049-FLOODED_RECEIVER_20L_ASME_WINTER ACCESSORIES", FOR BELOW OPTIONS.
 ACAC75016-----Flooded Receiver, 20L, 219mm diameter, 640mm length, ASME with 200w heater
 ACAC1049-----Winter Accessory Kit - Heaters, Brackets, Wiring TO USE WITH ACCU300.

- NOTES:**
- INSTALLATION SHALL COMPLY WITH ALL APPLICABLE NATIONAL, STATE AND LOCAL ELECTRICAL STANDARDS.
 - REFER TO PRODUCT DOCUMENTATION FOR ADDITIONAL DETAILS PRIOR TO INSTALLATION AND SITE PREPARATION WORK.
 - ALL DIMENSIONS ARE IN MILLIMETERS [INCHES].
 - A MINIMUM OF 1000 [39] OF CLEAR SPACE ON ALL SIDES OF UNIT RECOMMENDED FOR SERVICE ACCESS. FOR PROPER AIRFLOW IT IS RECOMMENDED AT LEAST 3000[118]
 - POWER/SIGNAL CABLES/PIPE ENTRY FROM LOWER FRONT OF UNIT AS IN DETAIL-A.
 - FOR FACILITY PLANNING DATA, PERFORMANCE SPECIFICATIONS AND LIMIT WORKING CONDITIONS, REFER TO SHEET-2.
 - NET WEIGHT OF UNIT IS 267 kg [588.6 lb].
 - FLOOR LOADING DATA(CONCENTRATED STATIC LOAD): 2282 kg/m² [468 lb/ft²].
FLOOR CONTACT AREA OF UNIT : 0.117m² / 1.259 ft².
 - THIS INFORMATION PROVIDES APPROXIMATE CENTER OF GRAVITY CALCULATION.

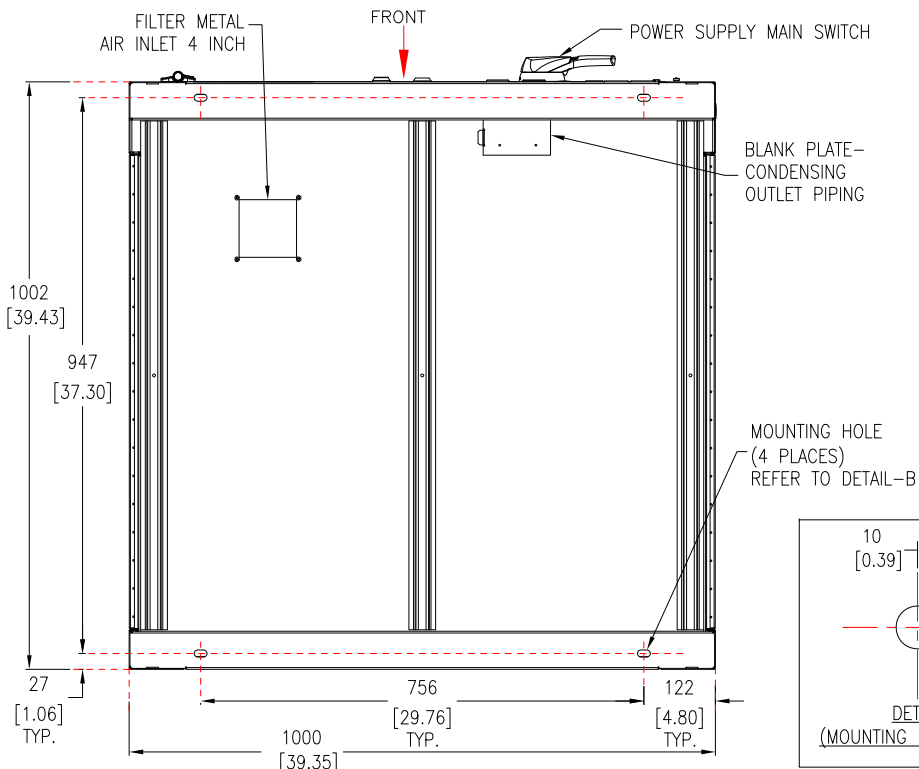


THIS DRAWING AND SPECIFICATIONS HEREIN ARE THE PROPERTY OF SCHNEIDER ELECTRIC AND SHALL NOT BE COPIED, REPRODUCED OR USED IN WHOLE OR IN PART, AS THE BASIS FOR THE MANUFACTURE OR SALE OF ITEMS WITHOUT WRITTEN PERMISSION FROM SCHNEIDER ELECTRIC. THIS DRAWING IS BASED UPON LATEST AVAILABLE INFORMATION AND IS SUBJECT TO CHANGE WITHOUT NOTICE.

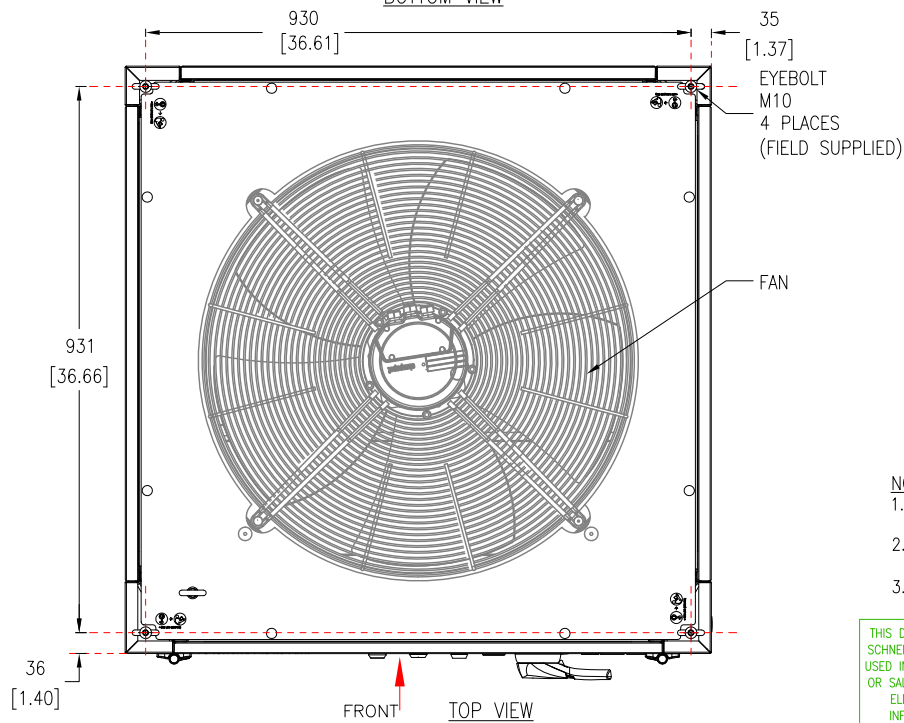


TITLE: InRow DIRECT EXPANSION CONDENSING UNIT 3PH 208-240V 50/60Hz SINGLE POWER UL GENERAL ARRANGEMENT

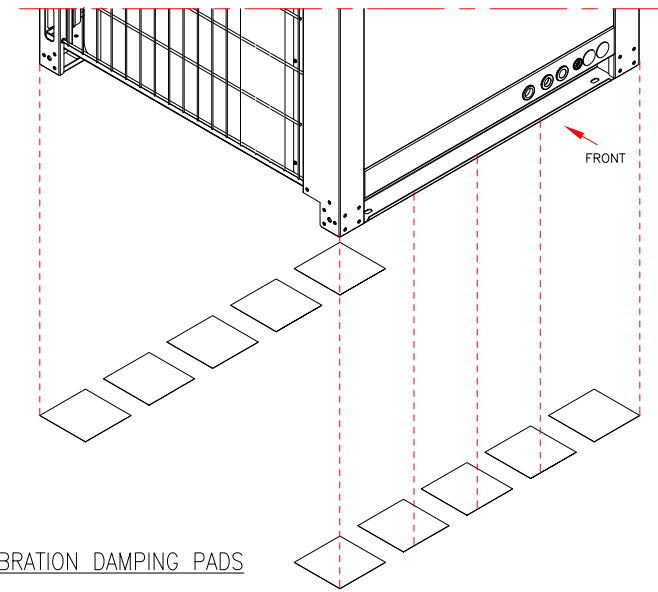
DWG NO:	ACCU300	REV:	0
DRAWN:	BALA	DATE:	23-OCT-20
ENGINEER:	RAAM C/Hongwei Y	DATE:	3-NOV-20
APPROVED:	RAAM C/Hongwei Y	DATE:	3-NOV-20
PROJECT:	SUBMITTAL DRAWINGS	SHEET	1 OF 3
ANGLE			FIRST PROJECTION



BOTTOM VIEW



TOP VIEW



VIBRATION DAMPING PADS

NOTE:

- IT IS RECOMMENDED TO PLACE FIELD-SUPPLIED VIBRATION DAMPING PADS UNDER THE OUTDOOR UNIT TO MINIMIZE VIBRATION AND NOISE.
RECOMMENDED SPECIFICATIONS : HARDNESS : DUROMETER 90A || MATERIAL: GREEN NEOPRENE RUBBER
DIMENSION : 152x152mm [6x6inch] || THICKNESS: 9.5mm[3/8inch]
- DO NOT BLOCK THE MOUNTING HOLES OF UNIT WITH THE DAMPING PADS.
- FOR DETAILED INSTALLATION REFER TO PRODUCT INSTALLATION MANUAL.

LIMIT WORKING CONDITIONS:

- REFRIGERANT TYPE : R410A
- OPERATING OUTDOOR TEMPERATURE:
-40°C TO +46°C (-40°F TO +115°F)
- ALTITUDE : 3000 METERS (9843 FEET).

PERFORMANCE SPECIFICATIONS		
OPERATING CONDITIONS	SENSIBLE NET CAPACITY kW (BTU/h)	ENERGY EFFICIENCY (W/W)
GB19413	16.3 (55600)	4.0 AEER
ASHRAE 127 CLASS3	25 (85300)	3.2 SCOP
MAXIMUM AT 35°C (95°F) RETURN AIR TEMPERATURE	27 (92100)	---
MAXIMUM AT 40°C (104°F) RETURN AIR TEMPERATURE	30 (102 400)	---

FACILITY PLANNING DATA	
ELECTRICAL INPUT	3 PH, 200-240 VAC 50/60Hz
POWER CONNECTION TYPE	HARDWIRED
MINIMUM CIRCUIT AMPACITY(MCA)	50.05
MAXIMUM OVERCURRENT PROTECTION (MOP)	80
POWER CONNECTION QUANTITY	1
FEATURES/OPTIONS	
FAN TYPE	ELECTRICALLY COMMUTATED
FAN CONTROL	RS485 Modbus RTU
NUMBER OF FANS	1
HOT SWAPPABLE FANS	NO
REFRIGERANT TYPE	R410A
COMPRESSOR TYPE	VARIABLE SPEED

NOTES:

- INSTALLATION SHALL COMPLY WITH ALL APPLICABLE NATIONAL, STATE AND LOCAL ELECTRICAL STANDARDS.
- REFER TO PRODUCT DOCUMENTATION FOR ADDITIONAL DETAILS PRIOR TO INSTALLATION AND SITE PREPARATION WORK.
- ALL DIMENSIONS ARE IN MILLIMETERS [INCHES].

THIS DRAWING AND SPECIFICATIONS HEREIN ARE THE PROPERTY OF SCHNEIDER ELECTRIC AND SHALL NOT BE COPIED, REPRODUCED OR USED IN WHOLE OR IN PART, AS THE BASIS FOR THE MANUFACTURE OR SALE OF ITEMS WITHOUT WRITTEN PERMISSION FROM SCHNEIDER ELECTRIC. THIS DRAWING IS BASED UPON LATEST AVAILABLE INFORMATION AND IS SUBJECT TO CHANGE WITHOUT NOTICE.



TITLE: InRow DIRECT EXPANSION CONDENSING UNIT
3PH 208-240V 50/60Hz SINGLE POWER UL
TOP-BOTTOM VIEWS AND ANCHORING DETAILS

DWG NO: ACCU300

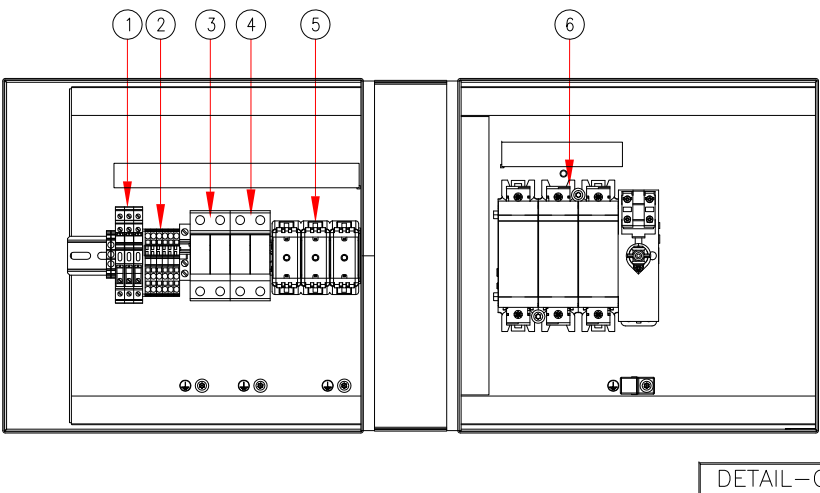
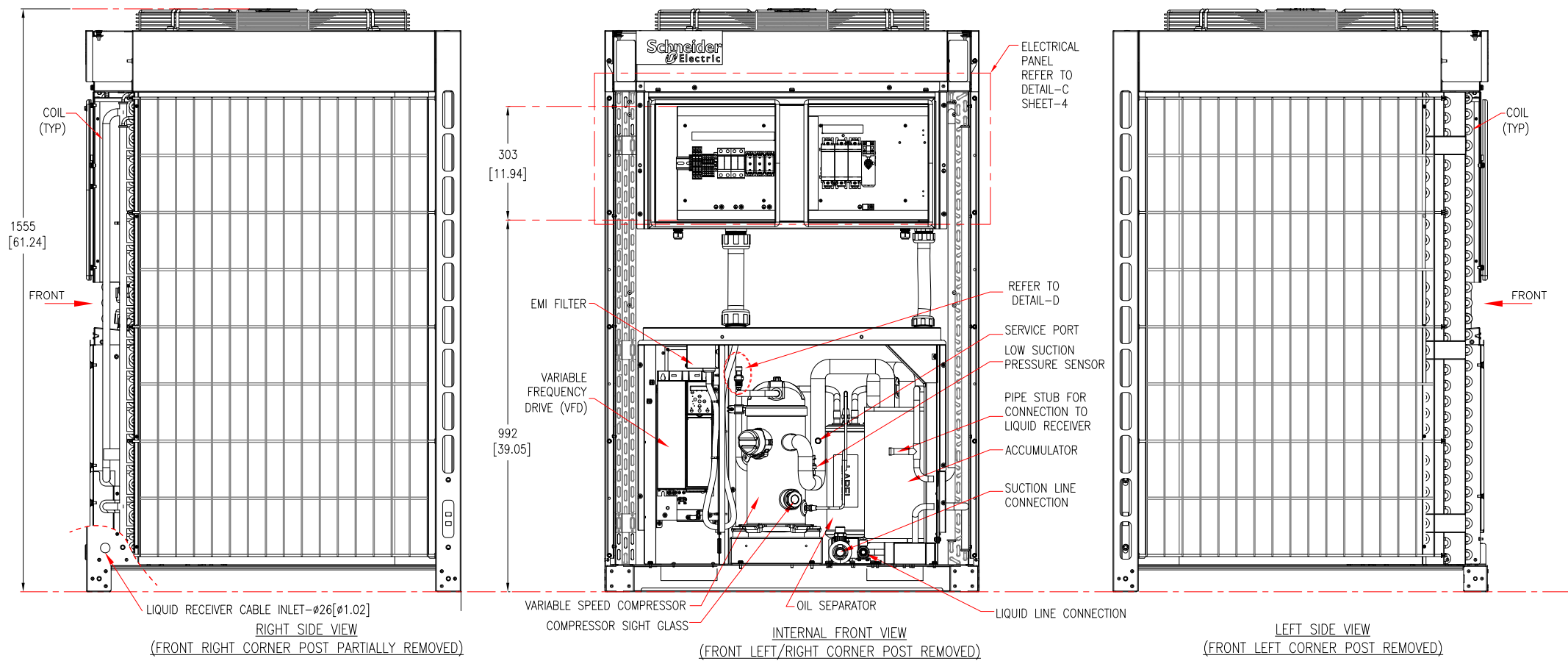
REV. 0

DRAWN: BALA 23-OCT-20
ENGINEER: RAAM C/Hongwei Y 3-NOV-20

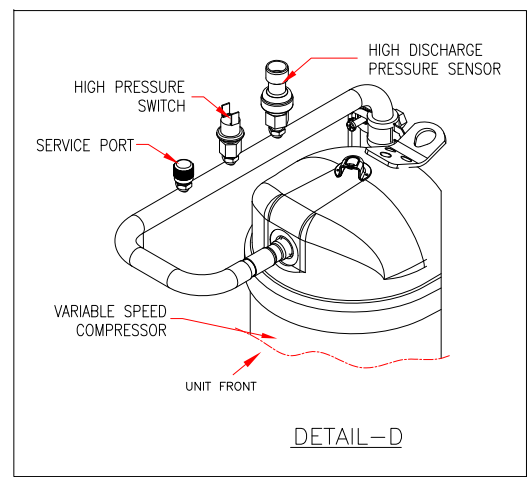
FIRST ANGLE PROJECTION

PROJECT: SUBMITTAL DRAWINGS SHEET 2 OF 3

APPROVED: RAAM C/Hongwei Y 3-NOV-20



1. LOW TEMPERATURE KIT FUSE BLOCK
2. TERMINAL BLOCK
3. CRANK CASE HEATER FUSE
4. FAN MOTOR FUSE
5. COMPRESSOR VARIABLE-SPEED DRIVE FUSE
6. POWER SUPPLY MAIN SWITCH



NOTES:

1. INSTALLATION SHALL COMPLY WITH ALL APPLICABLE NATIONAL, STATE AND LOCAL ELECTRICAL STANDARDS.
2. REFER TO PRODUCT DOCUMENTATION FOR ADDITIONAL DETAILS PRIOR TO INSTALLATION AND SITE PREPARATION WORK.
3. ALL DIMENSIONS ARE IN MILLIMETERS [INCHES].
4. SOME STRUCTURAL DETAILS BEEN OMITTED FOR THE PURPOSE OF CLARITY.

THIS DRAWING AND SPECIFICATIONS HEREIN ARE THE PROPERTY OF SCHNEIDER ELECTRIC AND SHALL NOT BE COPIED, REPRODUCED OR USED IN WHOLE OR IN PART, AS THE BASIS FOR THE MANUFACTURE OR SALE OF ITEMS WITHOUT WRITTEN PERMISSION FROM SCHNEIDER ELECTRIC. THIS DRAWING IS BASED UPON LATEST AVAILABLE INFORMATION AND IS SUBJECT TO CHANGE WITHOUT NOTICE.



TITLE: InRow DIRECT EXPANSION CONDENSING UNIT
 3PH 208-240V 50/60Hz SINGLE POWER UL
 INTERNAL VIEWS

PROJECT: SUBMITTAL DRAWINGS SHEET 3 OF 3

DWG NO: ACCU300

DRAWN: BALA	23-OCT-20
ENGINEER: RAAM C/Hongwei Y	3-NOV-20
APPROVED: RAAM C/Hongwei Y	3-NOV-20

REV: 0

FIRST ANGLE PROJECTION