

THIS DRAWING IS APPLICABLE FOR BELOW OPTIONAL SKUs

1. ACAC75017 –
Flooded Receiver, 20L, 219mm diameter, 640mm length, PED with 200w heater.
2. ACAC10049 –
WINTER ACCESSORY KIT – HEATERS, BRACKETS, WIRING

ACCU30x InRow DIRECT EXPANSION CONDENSING UNIT SHOWN FOR INSTALLATION REPRESENTATION ONLY. FOR DETAILS ABOUT ACCU30x REFER TO THE RESPECTIVE SUBMITTAL DRAWINGS .

WINTER ACCESSORY KIT (OPTIONAL SKU# ACAC10049)

1. ELECTRICAL PANEL HEATER
2. RIGHT MOUNTING BRACKET
3. LIQUID RECEIVER MOUNTING BRACKET
4. PIPE REDUCER 7/8 INCH TO 1/2 INCH
5. LEFT MOUNTING BRACKET
6. PIPE REDUCER 7/8 INCH TO 5/8 INCH
7. VFD HEATER

FLOODED RECEIVER PED KIT (OPTIONAL SKU# ACAC75017)

8. SAFETY VALVE 42 BAR DN 3/4x3/4 INCH
9. BALL VALVE 7/8 INCH
10. FLOODED RECEIVER
11. SIGHT GLASS (3 PLACES)
12. LIQUID RECEIVER CABLE CONDUIT
13. HEAD PRESSURE VALVE SENSOR
14. HEAD PRESSURE VALVE AND CHECK VALVE

FIELD SUPPLIED ITEMS

15. BEND PIPE
16. LIQUID RECEIVER CONNECTION OUTLET PIPE
17. LIQUID LINE INLET PIPE

SHOWN FOR ILLUSTRATION PURPOSE ONLY

18. InRow DX CONDENSING UNIT (TYPICAL)
(SHOWN FOR REFERENCE-TYPICAL FOR SKUs
ACCU302 AND ACCU302D)

NOTES:

1. INSTALLATION SHALL COMPLY WITH ALL APPLICABLE NATIONAL, STATE AND LOCAL ELECTRICAL STANDARDS.
2. REFER TO PRODUCT DOCUMENTATION FOR ADDITIONAL DETAILS PRIOR TO INSTALLATION AND SITE PREPARATION WORK.

THIS DRAWING AND SPECIFICATIONS HEREIN ARE THE PROPERTY OF SCHNEIDER ELECTRIC AND SHALL NOT BE COPIED, REPRODUCED OR USED IN WHOLE OR IN PART, AS THE BASIS FOR THE MANUFACTURE OR SALE OF ITEMS WITHOUT WRITTEN PERMISSION FROM SCHNEIDER ELECTRIC. THIS DRAWING IS BASED UPON LATEST AVAILABLE INFORMATION AND IS SUBJECT TO CHANGE WITHOUT NOTICE.

**Schneider
Electric**

TITLE: InRow DIRECT EXPANSION
OPTIONS : ACAC75017 – ACAC10049
FLOODED RECEIVER, 20L, 219mm DIA, 640mm LENGTH
PED WITH 200w HEATER /
WINTER ACCESSORY KIT-ISOMETRIC VIEW

DWG NO: ACAC75017-10049

REV: 0

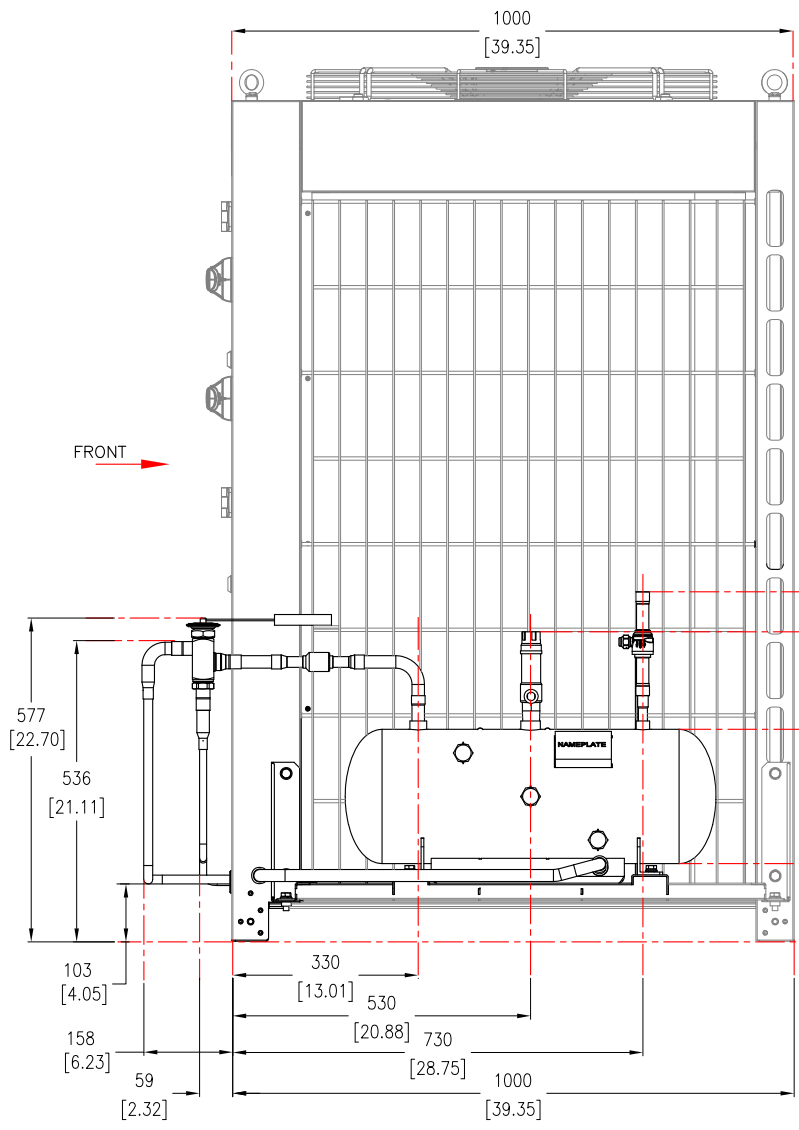
DRAWN: BALA 16-OCT-20

ENGINEER: RAAM C/Hongwei Y 3-NOV-20

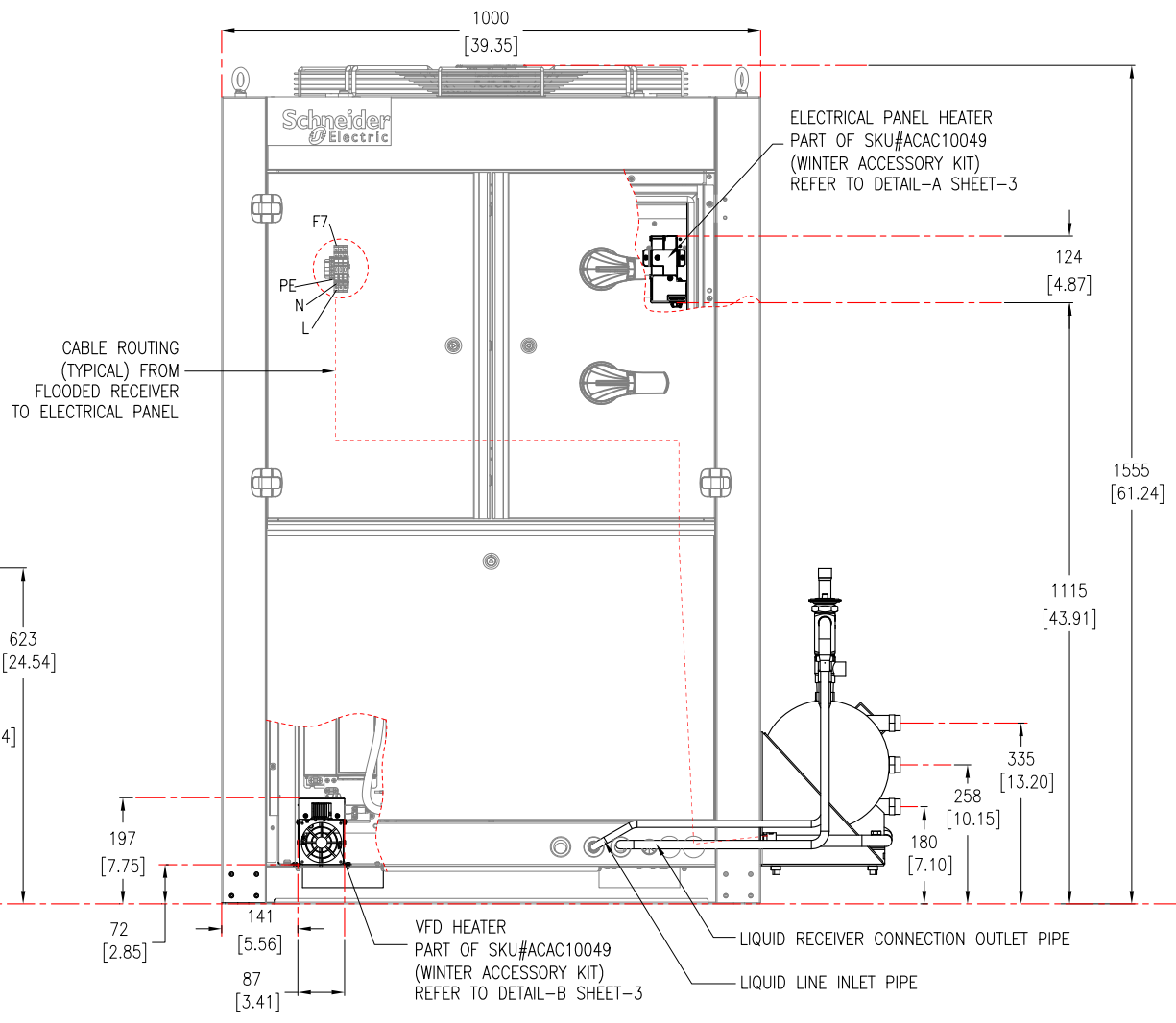
APPROVED: RAAM C/Hongwei Y 3-NOV-20

PROJECT: SUBMITTAL DRAWINGS SHEET 1 OF 3

FIRST
ANGLE
PROJECTION



RIGHT HAND SIDE VIEW



FRONT VIEW

CABLE ROUTING
(TYPICAL) FROM
FLOODED RECEIVER
TO ELECTRICAL PANEL

ELECTRICAL PANEL HEATER
PART OF SKU#ACAC10049
(WINTER ACCESSORY KIT)
REFER TO DETAIL-A SHEET-3

VFD HEATER
PART OF SKU#ACAC10049
(WINTER ACCESSORY KIT)
REFER TO DETAIL-B SHEET-3

LIQUID RECEIVER CONNECTION OUTLET PIPE
LIQUID LINE INLET PIPE

NOTES:

1. INSTALLATION SHALL COMPLY WITH ALL APPLICABLE NATIONAL, STATE AND LOCAL ELECTRICAL STANDARDS.
2. REFER TO PRODUCT DOCUMENTATION FOR ADDITIONAL DETAILS PRIOR TO INSTALLATION AND SITE PREPARATION WORK.
3. ALL DIMENSIONS ARE IN MILLIMETERS [INCHES].

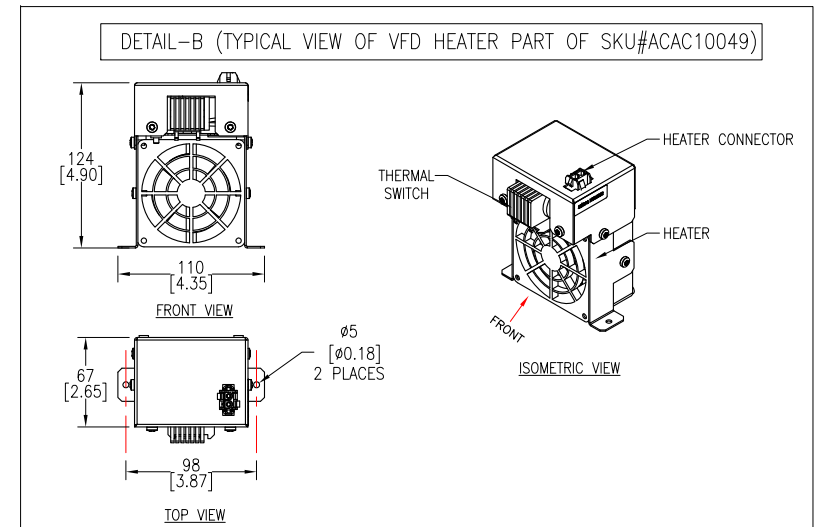
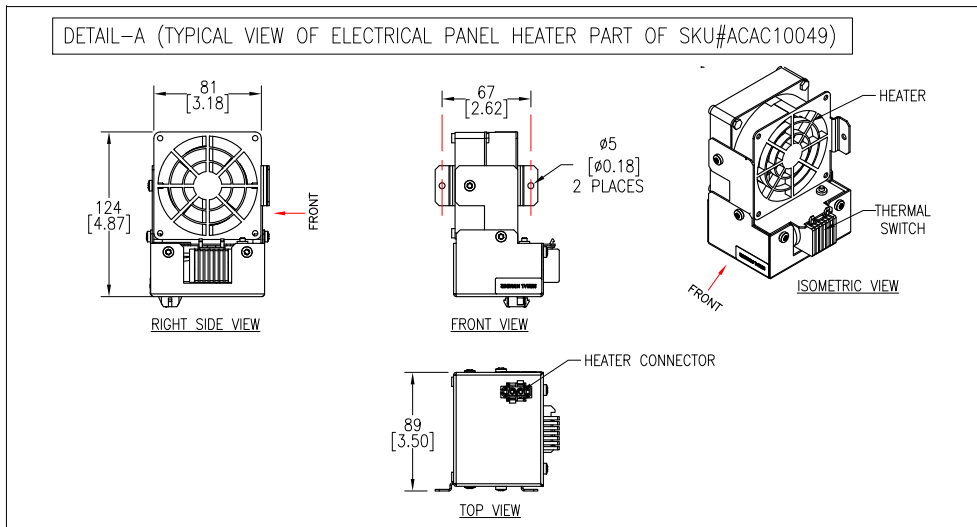
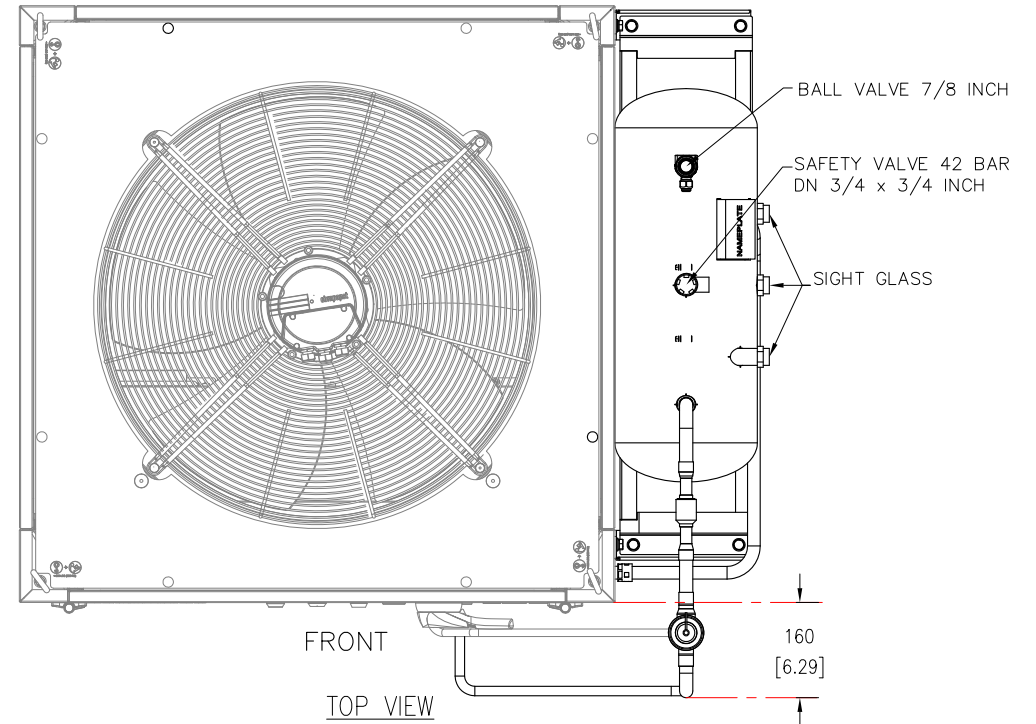
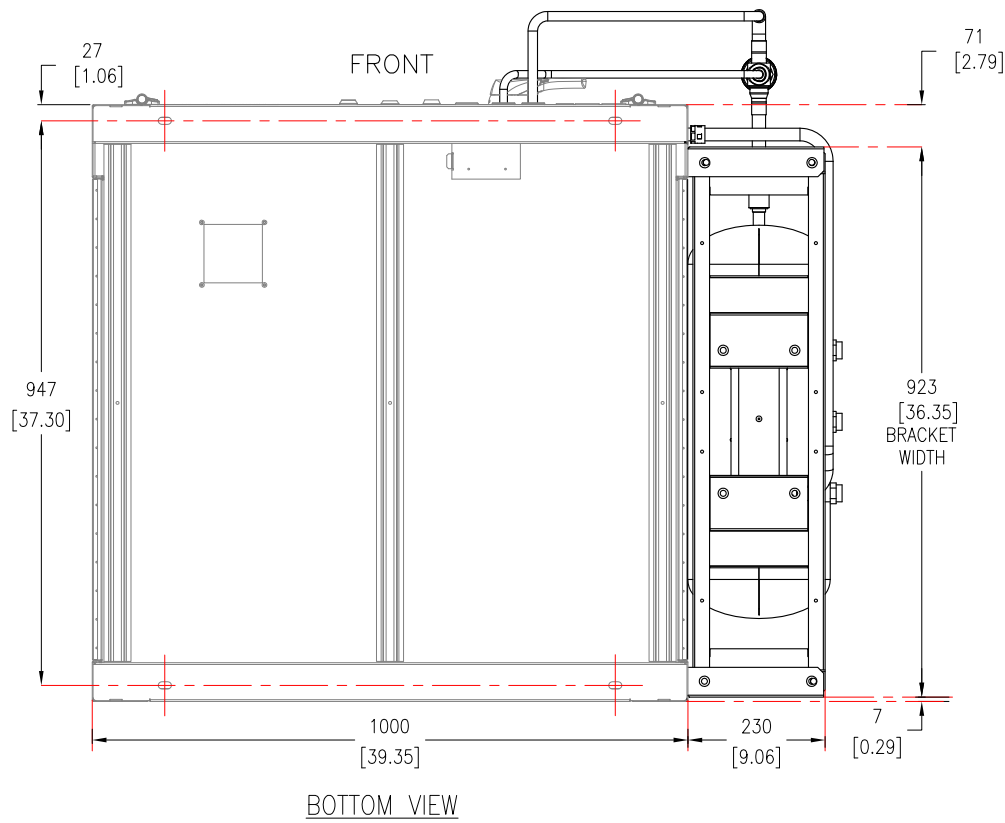
THIS DRAWING AND SPECIFICATIONS HEREIN ARE THE PROPERTY OF SCHNEIDER ELECTRIC AND SHALL NOT BE COPIED, REPRODUCED OR USED IN WHOLE OR IN PART, AS THE BASIS FOR THE MANUFACTURE OR SALE OF ITEMS WITHOUT WRITTEN PERMISSION FROM SCHNEIDER ELECTRIC. THIS DRAWING IS BASED UPON LATEST AVAILABLE INFORMATION AND IS SUBJECT TO CHANGE WITHOUT NOTICE.



TITLE: InRow DIRECT EXPANSION
OPTIONS : ACAC75017 - ACAC10049
FLOODED RECEIVER, 20L, 219mm DIA, 640mm LENGTH
PED WITH 200w HEATER / REAR VIEW
PROJECT: SUBMITTAL DRAWINGS SHEET 2 OF 3

DWG NO: ACAC75017-10049
DRAWN: BALA 16-OCT-20
ENGINEER: RAAM C/Hongwei Y 3-NOV-20
APPROVED: RAAM C/Hongwei Y 3-NOV-20

REV: 0
FIRST ANGLE PROJECTION



NOTES:

1. INSTALLATION SHALL COMPLY WITH ALL APPLICABLE NATIONAL, STATE AND LOCAL ELECTRICAL STANDARDS.
2. REFER TO PRODUCT DOCUMENTATION FOR ADDITIONAL DETAILS PRIOR TO INSTALLATION AND SITE PREPARATION WORK.
3. ALL DIMENSIONS ARE IN MILLIMETERS [INCHES].

THIS DRAWING AND SPECIFICATIONS HEREIN ARE THE PROPERTY OF SCHNEIDER ELECTRIC AND SHALL NOT BE COPIED, REPRODUCED OR USED IN WHOLE OR IN PART, AS THE BASIS FOR THE MANUFACTURE OR SALE OF ITEMS WITHOUT WRITTEN PERMISSION FROM SCHNEIDER ELECTRIC. THIS DRAWING IS BASED UPON LATEST AVAILABLE INFORMATION AND IS SUBJECT TO CHANGE WITHOUT NOTICE.

Schneider Electric

TITLE: InRow DIRECT EXPANSION
OPTIONS : ACAC75017 - ACAC10049
FLOODED RECEIVER, 20L, 219mm DIA, 640mm LENGTH
PED WITH 200w HEATER /
WINTER ACCESSORY KIT-TOP/BOTTOM VIEWS

DWG NO: ACAC75017-10049

REV: 0

DRAWN:	BALA	16-OCT-20	ANGLE OF PROJECTION
ENGINEER:	RAAM C/Hongwei Y	3-NOV-20	N.A
APPROVED:	RAAM C/Hongwei Y	3-NOV-20	

PROJECT: SUBMITTAL DRAWINGS SHEET 3 OF 3