

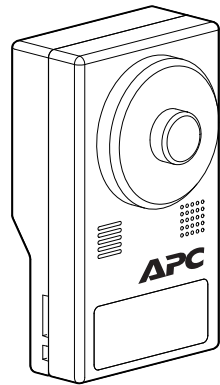


by Schneider Electric

# NetBotz Camera Pod 165

Installation and Quick Start

NBPD0165



Customer support and warranty information is available at [www.apc.com](http://www.apc.com).

© 2019 APC by Schneider Electric. All rights reserved.

990-5974A-001

9/2019

## Product Description

The APC by Schneider Electric® NetBotz Camera Pod 165 is a motion-sensitive camera capable of sending image data through a connection to a NetBotz Rack Monitor 750. The Camera Pod 165 can be triggered by the appliance in response to a number of environmental alarms or events, such as a temperature spike or the action of opening a door. The Camera Pod 165 can also provide constant surveillance of an area or entrance.

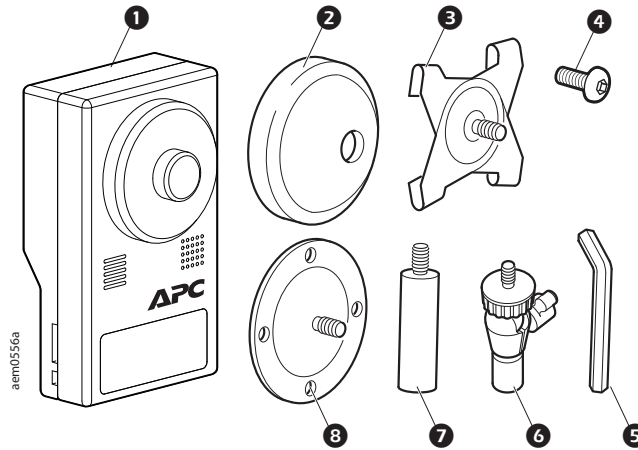
### Receiving

Inspect the package and contents for shipping damage. Make sure all parts were sent. Immediately report any shipping damage to the shipping agent. Report missing contents, product damage, or other problems with the product to APC by Schneider Electric or your Schneider Electric reseller.

### NOTICE

The equipment contains, and the software enables, visual recording capabilities, the improper use of which may subject you to civil and criminal penalties. Applicable laws regarding the use of such capabilities vary between jurisdictions and may require, among other things, express written consent from recorded subjects. You are solely responsible for insuring strict compliance with such laws and for strict adherence to any/all rights of privacy and personalty. Use of this software for illegal surveillance or monitoring shall be deemed unauthorized use in violation of the end user software agreement and result in the immediate termination of your license rights thereunder.

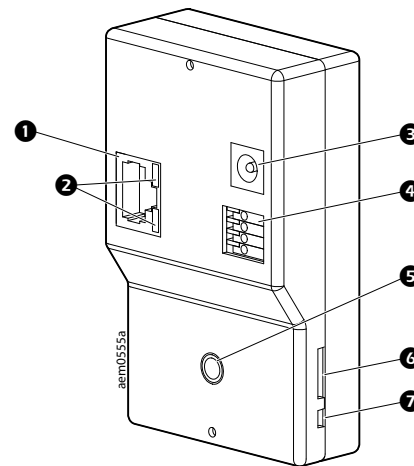
## Inventory



Item	Description	Quantity
1	Camera Pod 165	1
2	Rubber bracket cover	1
3	T-bar mounting plate	1
4	Set screw*	1
5	Hex wrench*	1
6	Ball-joint adjuster arm	2
7	Extender arm	2
8	Mounting plate	1

\*Not used

## Physical Description



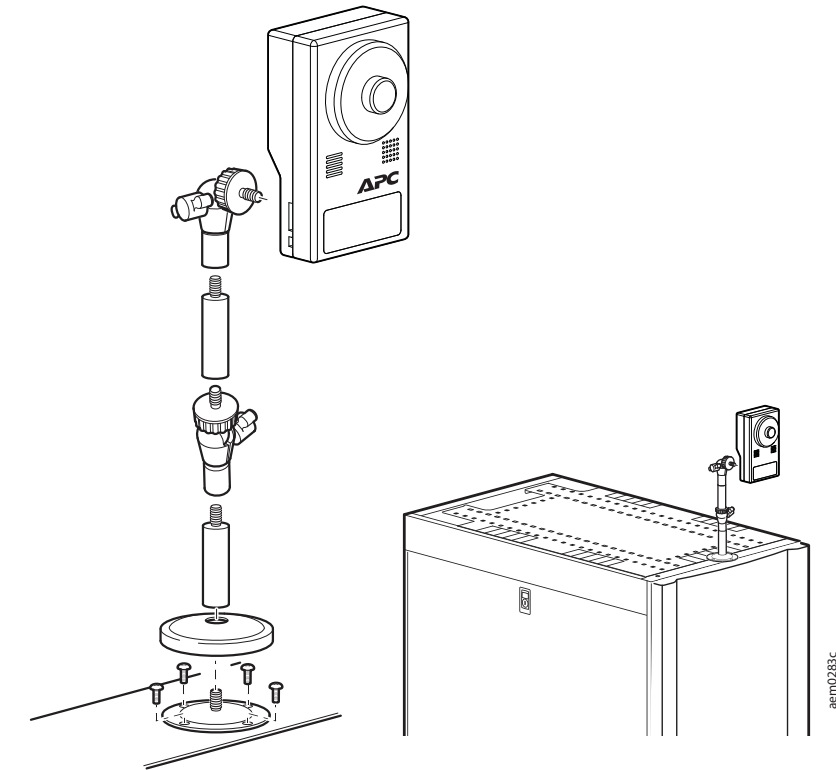
Item	Description
1	RJ-45 port For network and Power Over Ethernet (PoE) connections
2	Network LEDs Link LED: turns green to indicate a good network connection. Activity LED: flashes orange to indicate network activity
3	Power jack Reserved for future use
4	Alarm In/Out Reserved for future use
5	Mounting hole Used to mount the Camera Pod 165
6	Micro SD card slot Reserved for future use
7	Reset button Press for at least 20 seconds to reset to factory defaults

## Installation

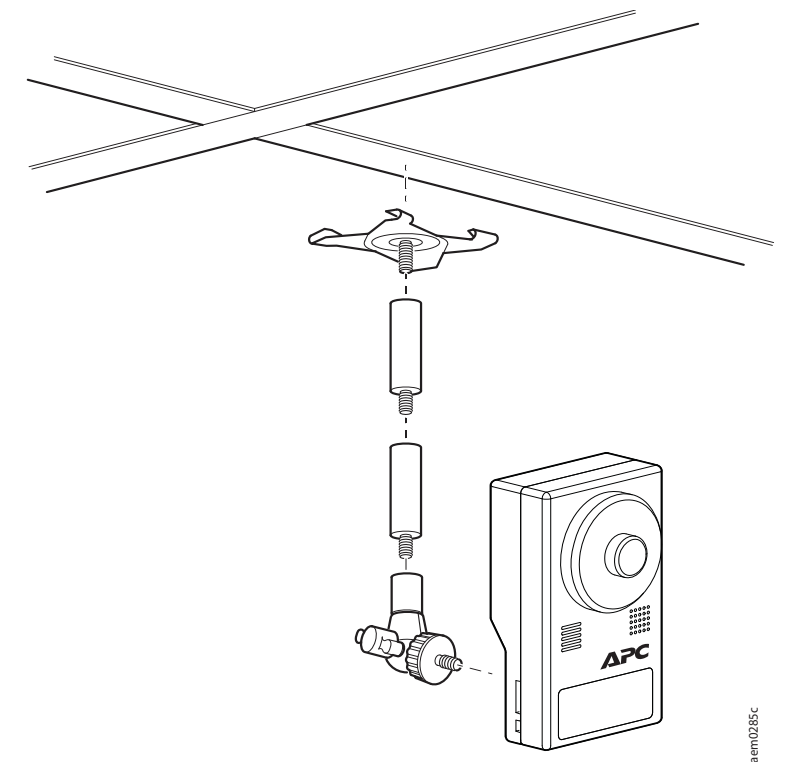
Choose the mounting option (rack, wall, or ceiling) that meets your needs. Then connect the Camera Pod 165 to your NetBotz appliance or to the network.

### Rack mount

Use #8 sheet-metal screws (not provided) to secure the camera pod. Use a #32 drill to make four 2.94 mm (0.116 in) pilot holes in the rack.

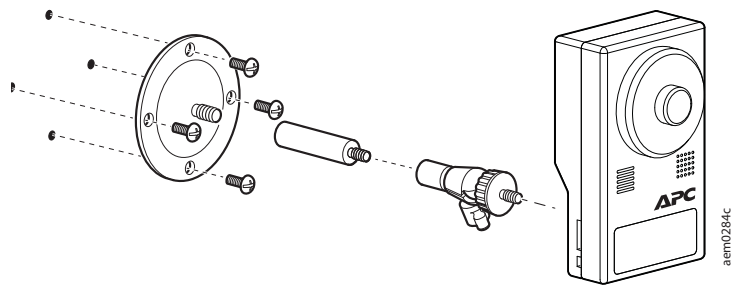


### Ceiling mount



## Wall mount

Use #8 screws (not provided) to secure the camera pod.



## Connect the Camera Pod 165 to a NetBotz 5.x appliance

Use a Power over Ethernet (PoE) ready, CAT-5 Ethernet cable to connect the Camera Pod 165 to the Private LAN port of your appliance.

## Connect the Camera Pod 165 to your network

If you do not connect the Camera Pod 165 to an appliance, you can use a PoE-ready CAT-5 Ethernet cable, PoE equipment, and a network switch to connect the Camera Pod 165 to your network.

# Configuration

See the *User Guide* on [www.apc.com](http://www.apc.com) for instructions to configure the camera pod in the Web User Interface (UI) of your NetBotz appliance.

The Camera Pod 165 is automatically set to have a dynamic IP address assigned via DHCP. If the Camera Pod 165 is not connected directly to an appliance, you can use **Device Search** to view the current IP address of the Camera Pod 165 or to assign it a static IP address.

## Use Device Search to discover the IP address

1. Connect your computer to the same subnet as the Camera Pod 165.
2. Go to the CameraPod 165 product page on [www.apc.com](http://www.apc.com). Download and open the **DeviceSearch** executable file.
3. In the **Device Search** window, select **All NetCard** from the **Local Broadcast** drop-down list and click **Device Search**. Wait for the search to finish. You can identify your Camera Pod 165 by its MAC address, which you can find on the back of the unit.

## Use Device Search to set a static IP address

1. Follow the instructions to discover the IP address of the Camera Pod 165.
2. In the **Device Search** window, right-click the Camera Pod 165, and select **Network Setup** to open the **Network Setup** window.
3. Select **Static IP**, and enter the static **IP address**, default gateway (**Gateway**), Subnet Mask (**Netmask**), and Domain Name System server (**DNS**) for your Camera Pod 165.

## Change the password

**NOTE:** The Camera Pod 165 Web UI is only used to change the password and upgrade the firmware.

When connecting an un-configured camera pod directly to an appliance, you do not have to change the password—the appliance configures the camera security automatically. Password changes are only required for remote connections to an appliance.

1. Enter the camera pod IP address in the URL address bar of your Web browser, then log on using the default user name and password (**apc** and **apc**).
2. When prompted, enter a new password in the **Admin password** and **Confirm password** fields, then click **Save**. The password is case sensitive and must be at least 8 characters long.

To change the password after first use, Log on to the camera pod Web UI, then select **System > Security > User**. Enter the new password in the **Admin password** and **Confirm password** fields, then click **Save**.

To recover a lost password, press the reset button for 20 seconds, wait 5-10 minutes for the camera pod to restart, then repeat this procedure.

## Upgrade the firmware

**NOTE:** The Camera Pod 165 Web UI is only used to change the password and upgrade the firmware.

1. Download the latest firmware version from the applicable product page of [www.apc.com](http://www.apc.com).
2. Enter the camera pod IP address in the URL address bar of your Web Browser. Log in, then select **System > Software Upgrade**.
3. Select **Browse...**, then browse to the appropriate firmware file.
4. Click **Upgrade**, then wait for the upgrade to complete. If you lose connection to the Web UI, refresh the page.
5. Select **System > Software Version** to view the current firmware version and verify that the upgrade was successful.

## Adjust the focus

Remove the lens cover. Twist the lens to the left and right until the image becomes clear.

# Specifications

Electrical	
Power Source	Power over Ethernet
Power Consumption: Operation (802.3af) system	3.7 W
Mechanical	
Dimensions (H x W x L)	96.51 x 56 x 61.4 mm (3.78 x 2.2 x 2.42 in.)
Weight	120 g (0.26 lb)
Environmental	
Operating temperature	0–45°C (32–113° F)
Humidity	10–90%, no condensation
Compliance	
Safety	CE (LVD)
EMC	FCC / CE (EMC Directive)

# Two-Year Factory Warranty

This warranty applies only to the products you purchase for your use in accordance with this manual.

## Terms of warranty

APC by Schneider Electric warrants its products to be free from defects in materials and workmanship for a period of two years from the date of purchase. APC by Schneider Electric will repair or replace defective products covered by this warranty. This warranty does not apply to equipment that has been damaged by accident, negligence or misapplication or has been altered or modified in any way. Repair or replacement of a defective product or part thereof does not extend the original warranty period. Any parts furnished under this warranty may be new or factory-remanufactured.

## Non-transferable warranty

This warranty extends only to the original purchaser who must have properly registered the product. The product may be registered at the APC by Schneider Electric Web site, [www.apc.com](http://www.apc.com).

## Exclusions

APC by Schneider Electric shall not be liable under the warranty if its testing and examination disclose that the alleged defect in the product does not exist or was caused by end user's or any third person's misuse, negligence, improper installation or testing. Further, APC by Schneider Electric shall not be liable under the warranty for unauthorized attempts to repair or modify wrong or inadequate electrical voltage or connection, inappropriate on-site operation conditions, corrosive atmosphere, repair, installation, exposure to the elements, Acts of God, fire, theft, or installation contrary to APC by Schneider Electric recommendations or specifications or in any event if the APC by Schneider Electric serial number has been altered, defaced, or removed, or any other cause beyond the range of the intended use.

**THERE ARE NO WARRANTIES, EXPRESS OR IMPLIED, BY OPERATION OF LAW OR OTHERWISE, OF PRODUCTS SOLD, SERVICED OR FURNISHED UNDER THIS AGREEMENT OR IN CONNECTION HERewith. APC BY SCHNEIDER ELECTRIC DISCLAIMS ALL IMPLIED WARRANTIES OF MERCHANTABILITY, SATISFACTION AND FITNESS FOR A PARTICULAR PURPOSE. APC BY SCHNEIDER ELECTRIC EXPRESS WARRANTIES WILL NOT BE ENLARGED, DIMINISHED, OR AFFECTED BY AND NO OBLIGATION OR LIABILITY WILL ARISE OUT OF, APC BY SCHNEIDER ELECTRIC RENDERING OF TECHNICAL OR OTHER ADVICE OR SERVICE IN CONNECTION WITH THE PRODUCTS. THE FOREGOING WARRANTIES AND REMEDIES ARE EXCLUSIVE AND IN LIEU OF ALL OTHER WARRANTIES AND REMEDIES. THE WARRANTIES SET FORTH ABOVE CONSTITUTE APC BY SCHNEIDER ELECTRIC'S SOLE LIABILITY AND PURCHASER'S EXCLUSIVE REMEDY FOR ANY BREACH OF SUCH WARRANTIES. APC BY SCHNEIDER ELECTRIC WARRANTIES EXTEND ONLY TO PURCHASER AND ARE NOT EXTENDED TO ANY THIRD PARTIES.**

**IN NO EVENT SHALL APC by Schneider Electric, ITS OFFICERS, DIRECTORS, AFFILIATES OR EMPLOYEES BE LIABLE FOR ANY FORM OF INDIRECT, SPECIAL, CONSEQUENTIAL OR PUNITIVE DAMAGES, ARISING OUT OF THE USE, SERVICE OR INSTALLATION, OF THE PRODUCTS, WHETHER SUCH DAMAGES ARISE IN CONTRACT OR TORT, IRRESPECTIVE OF FAULT, NEGLIGENCE OR STRICT LIABILITY OR WHETHER APC by Schneider Electric HAS BEEN ADVISED IN ADVANCE OF THE POSSIBILITY OF SUCH DAMAGES. SPECIFICALLY, APC BY SCHNEIDER ELECTRIC IS NOT LIABLE FOR ANY COSTS, SUCH AS LOST PROFITS OR REVENUE, LOSS OF EQUIPMENT, LOSS OF USE OF EQUIPMENT, LOSS OF SOFTWARE, LOSS OF DATA, COSTS OF SUBSTITUENTS, CLAIMS BY THIRD PARTIES, OR OTHERWISE.**

**NO SALESMAN, EMPLOYEE OR AGENT OF APC by Schneider Electric IS AUTHORIZED TO ADD TO OR VARY THE TERMS OF THIS WARRANTY. WARRANTY TERMS MAY BE MODIFIED, IF AT ALL, ONLY IN WRITING SIGNED BY AN APC by Schneider Electric OFFICER AND LEGAL DEPARTMENT.**

## Warranty claims

Customers with warranty claims issues may access the APC by Schneider Electric customer support network through the Support page of the APC by Schneider Electric Web site, [www.apc.com/support](http://www.apc.com/support). Select your country from the country selection pull-down menu at the top of the Web page. Select the Support tab to obtain contact information for customer support in your region.

# Radio Frequency Interference

## USA.FCC

This equipment has been tested and found to comply with the limits for a Class A digital device, pursuant to part 15 of the FCC Rules. These limits are designed to provide reasonable protection against harmful interference when the equipment is operated in a commercial environment. This equipment generates, uses, and can radiate radio frequency energy and, if not installed and used in accordance with this user manual, may cause harmful interference to radio communications. Operation of this equipment in a residential area is likely to cause harmful interference. The user will bear sole responsibility for correcting such interference.

## Canada.ICES

This Class A digital apparatus complies with Canadian ICES-003.

Cet appareil numérique de la classe A est conforme à la norme NMB-003 du Canada.

## European Union

This product is in conformity with the Electromagnetic Compatibility (EMC) requirements set forth by the EU directive 2014/30/EU of the European parliament and of the council of 26 February 2014 on the harmonization of the laws of the Member States relating to electromagnetic compatibility.

This product has been tested and found to comply with the limits for Class A Information Technology Equipment according to CISPR 32/EN 55032:2015 for Emissions and EN 55024:2010+A1:2015 for Immunities.

**Attention:** This is a Class A product. In a domestic/residential environment this product may cause radio interference in which the user may be required to take adequate measures.