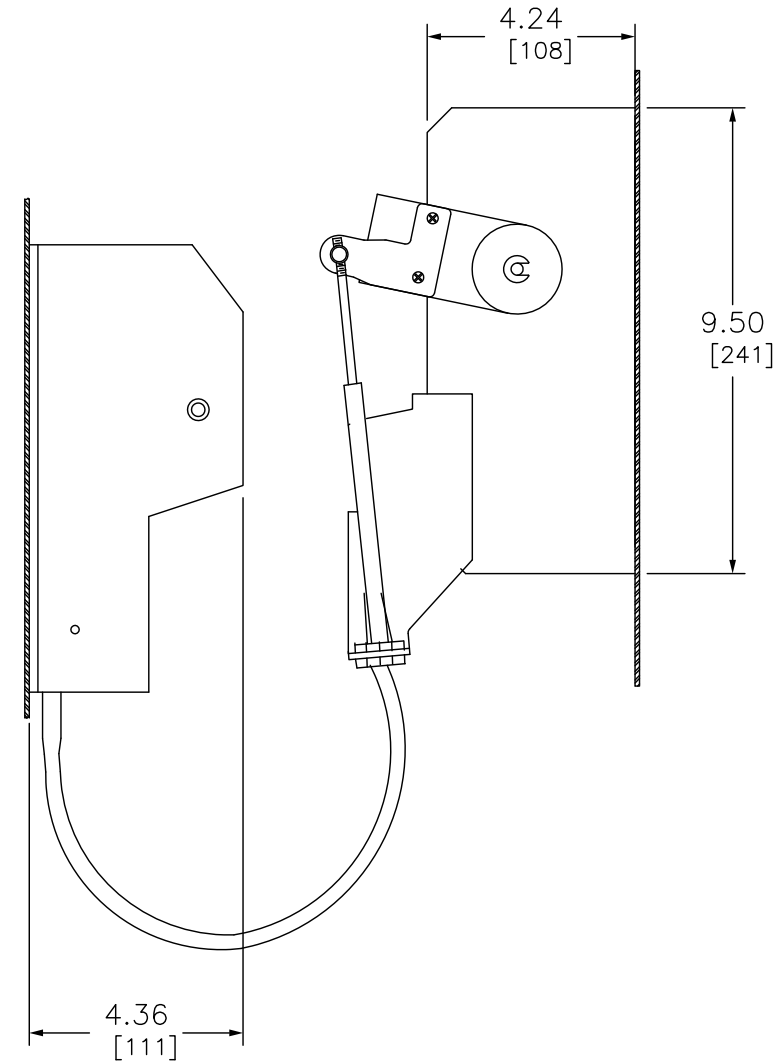
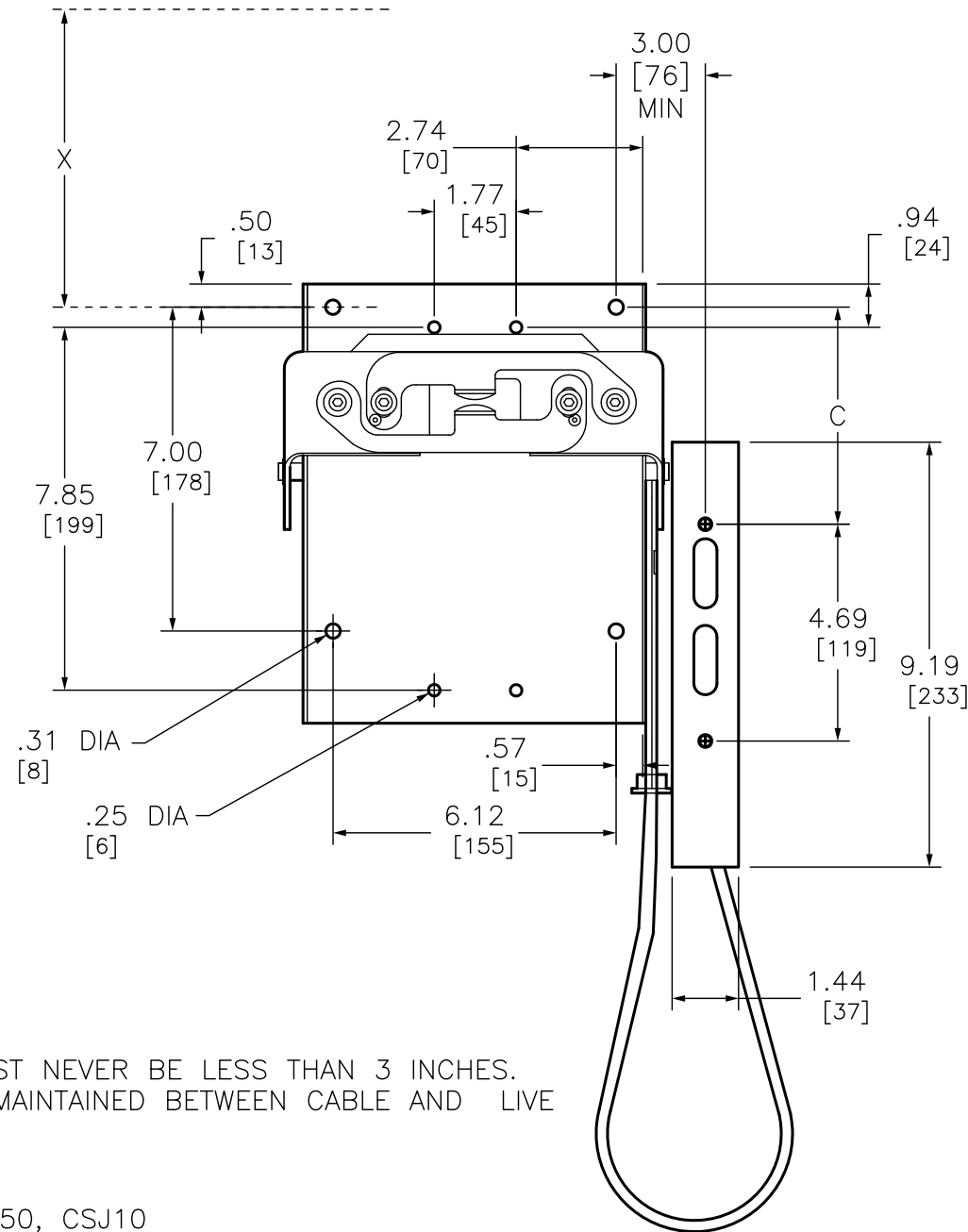


CABLE MECHANISMS FOR USE WITH CLASS 9422  
TYPE NSJ 3 POLE CIRCUIT BREAKER.

REFER TO NEC ARTICLE 430-10 FOR MINIMUM  
DIMENSION X FROM CIRCUIT BREAKER TOP  
MOUNTING HOLE TO WALL OR BARRIER TO  
ENSURE ADEQUATE WIRE BENDING SPACE.

TYPE	CABLE LENGTH	MAXIMUM BOX DEPTH	MAXIMUM DISTANCE FROM TOP RIGHT MOUNTING HOLE TO UPPER MOUNTING HOLE FOR HANDLE OPERATOR (DIM C)	
			MINIMUM C	MAXIMUM C
CSJ30	36"	24"	3.75"	7"
CSJ50	60"	36"	3.75"	24"
CSJ10	120"	36"	3.75"	5 FEET



NOTE: BEND RADIUS IN CABLE MUST NEVER BE LESS THAN 3 INCHES.  
ELECTRICAL CLEARANCES MUST BE MAINTAINED BETWEEN CABLE AND LIVE  
ELECTRICAL PARTS.

Catalog Number: 9422-CSJ30, CSJ50, CSJ10  
Ratings: —  
UL File/Guide: E62922/DIHS2  
CSA File/Guide: —  
Meets Standards: —  
Weight: 8.5 lbs  
Wire Size: —  
Terminal torque: —  
Mounting Hwd.: (8) #14-20 screws

DUAL DIMENSIONS: INCHES  
MILLIMETERS

OPERATING MECHANISM CABLE MECHANISM NEMA



DWG# 9422CSJ30  
NO.