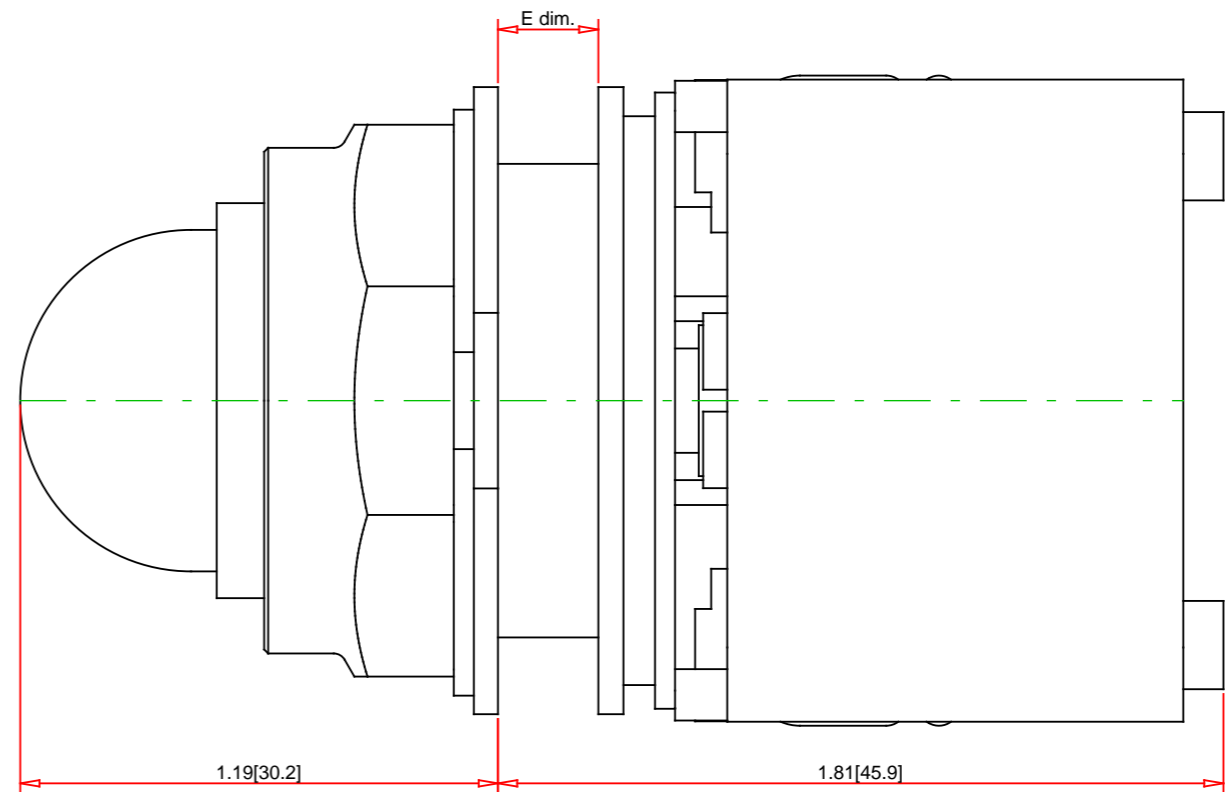
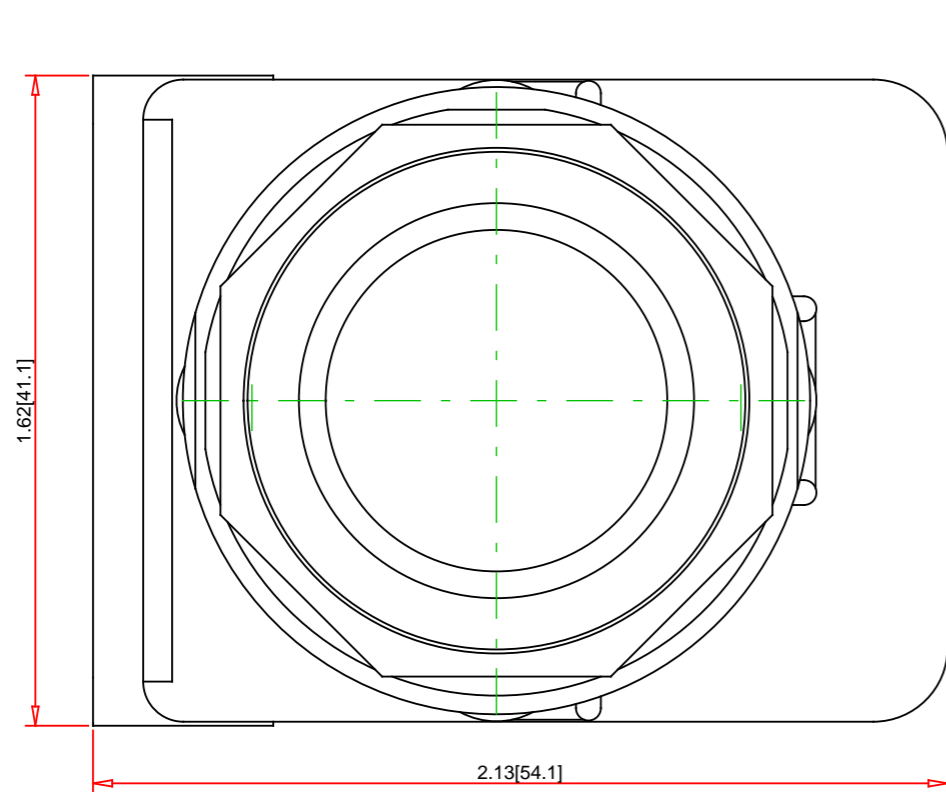


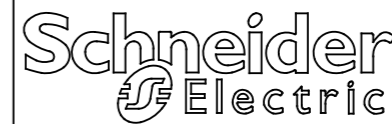
Panel Thickness E dim. inches (mm)	Number of Gasket
1/16 (1.6)	4
1/8 (3.2)	3
3/16 (4.8)	2
1/4 (6.4)	1



Note:
 - Drawings Not To Scale
 - Drawings Subject to Change Without Notice
 - Dimensions are inches next to [Millimeters]

Part No.:

9001SKP35LYY9



Schneider Electric United States
 North American Division
 Boston One Campus
 800 Federal Street
 Andover, MA 01810, USA
 Phone: +1 8773425173
 Email: CCC@us.schneider-electric.com

Technical Information:

UL File: E78403 CCN NKCR
 CSA File: LR24590 Class 3211-03
 CE Marked: Yes
 RoHS: Yes
 NEMA / IP Rating: NEMA 1/2/3/3R/4/4X/6/12/13 Water tight, Dust tight, Oil tight and Corrosion Resistant (Indoor/Outdoor)
 Key Number: n/a
 Key Removal: n/a
 Light Module Supply Voltage: 24/28V
 Light Module Type: LED (Yellow)
 Number of Operators: n/a

Description: 30mm Pilot Light
 Ring Nut Material: Black Plastic
 Operator Type: Standard
 Operator Action: n/a
 Guard Type: n/a
 Button/Cap Color: n/a
 Lens Type: Plastic (Domed)
 Lens Color: Yellow
 Knob Type: not applicable
 Knob Color: n/a
 Number of Positions: n/a

Specification: