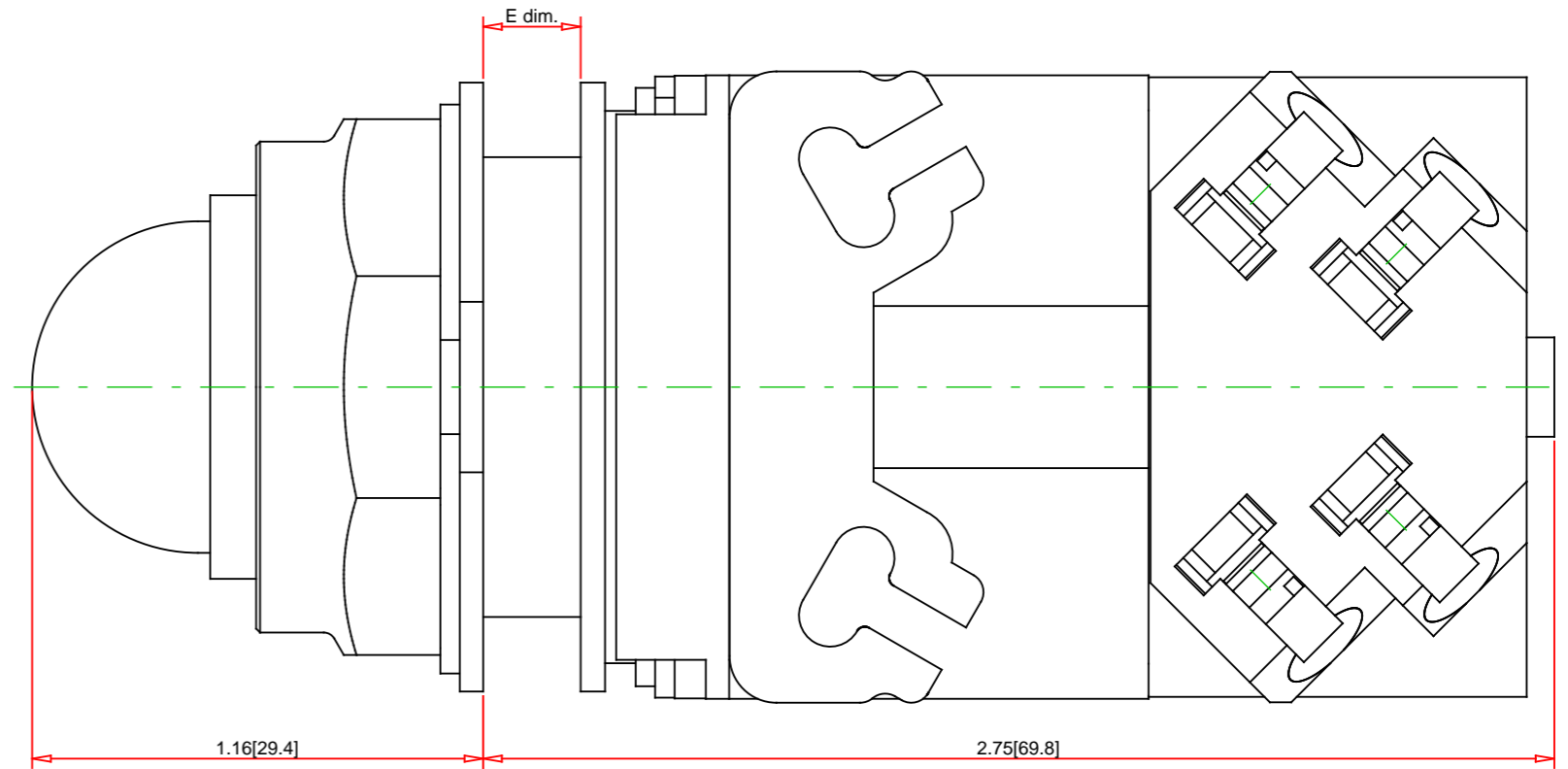
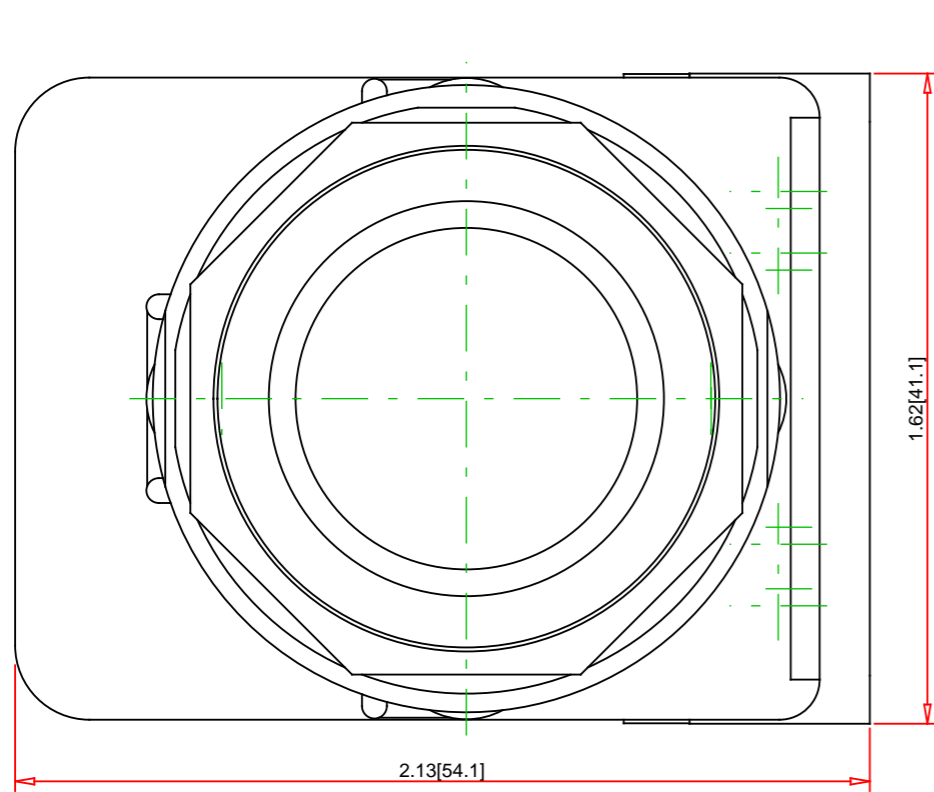


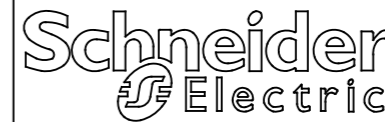
| Panel Thickness<br>E dim.<br>inches (mm) | Number<br>of<br>Gasket |
|--|------------------------|
| 1/16 (1.6)                               | 4                      |
| 1/8 (3.2)                                | 3                      |
| 3/16 (4.8)                               | 2                      |
| 1/4 (6.4)                                | 1                      |



Note:  
- Drawings Not To Scale  
- Drawings Subject to Change Without Notice  
- Dimensions are inches next to [Millimeters]

Part No.:

**9001KT1G9**



Schneider Electric United States  
North American Division  
Boston One Campus  
800 Federal Street  
Andover, MA 01810, USA  
Phone: +1 8773425173  
Email: CCC@us.schneider-electric.com

Technical Information:

UL File: E78403 CCN NKCR  
CSA File: LR24590 Class 3211-03  
CE Marked: Yes  
RoHS: Yes  
NEMA / IP Rating: NEMA 1/2/3/3R/4/6/12/13 Water tight, Dust tight and Oil tight (Indoor/Outdoor), IP66  
Key Number: n/a  
Key Removal: n/a  
Light Module Supply Voltage: 110/120VACat50/60Hz  
Light Module Type: Transformer  
Number of Operators: n/a

Specification:

Description: 30mm Pilot Light  
Ring Nut Material: Chromium Plated Zinc  
Operator Type: Push-To-Test  
Operator Action: n/a  
Button Type: n/a  
Guard Type: n/a  
Button/Cap Color: n/a  
Lens Type: Plastic (Domed)  
Lens Color: Green  
Knob Type: not applicable  
Knob Color: n/a  
Number of Positions: n/a