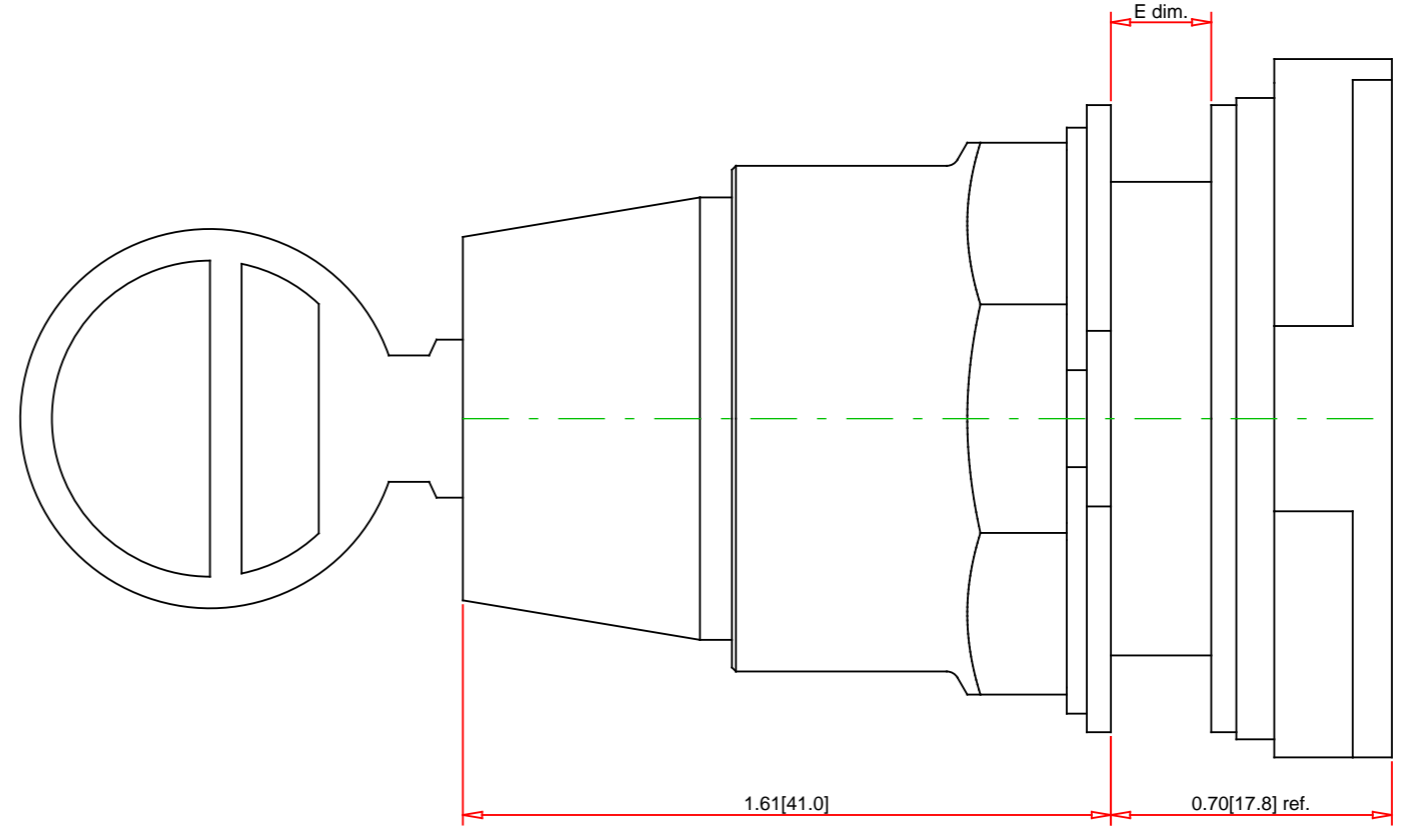
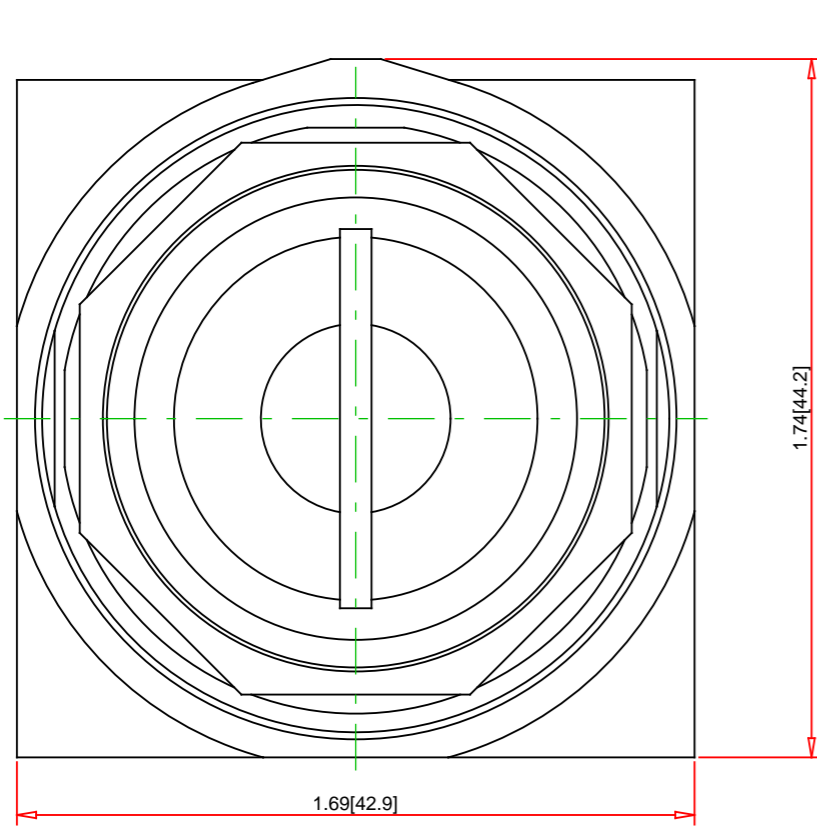


| Panel Thickness E dim. inches (mm) | Number of Gasket |
|------------------------------------------|------------------------|
| 1/16 (1.6) | 4 |
| 1/8 (3.2) | 3 |
| 3/16 (4.8) | 2 |
| 1/4 (6.4) | 1 |



Note:
 - Drawings Not To Scale
 - Drawings Subject to Change Without Notice
 - Dimensions are inches next to [Millimeters]

Part No.:
9001KS11K3

Schneider Electric
 Schneider Electric United States
 North American Division
 Boston One Campus
 800 Federal Street
 Andover, MA 01810, USA
 Phone: +1 8773425173
 Email: CCC@us.schneider-electric.com

Technical Information:
 UL File: E78403 CCN NKCR
 CSA File: LR24590 Class 3211-03
 CE Marked: Yes
 RoHS: Yes
 NEMA / IP Rating: NEMA 1/2/3/3R/4/6/12/13 Water tight, Dust tight and Oil tight (Indoor/Outdoor), IP66
 Key Number: E10
 Key Removal: Left and Right
 Light Module Supply Voltage: not applicable
 Light Module Type: not applicable
 Number of Operators: 1

Description:
 Ring Nut Material: 30mm Selector Switch
 Operator Type: Chromium Plated Zinc
 Operator Action: Non-Illuminated
 Button Type: Maintained
 Guard Type: n/a
 Button/Cap Color: n/a
 Lens Type: not applicable
 Lens Color: not applicable
 Knob Type: Key Operated Knob
 Knob Color: Key
 Number of Positions: 2

Specification: