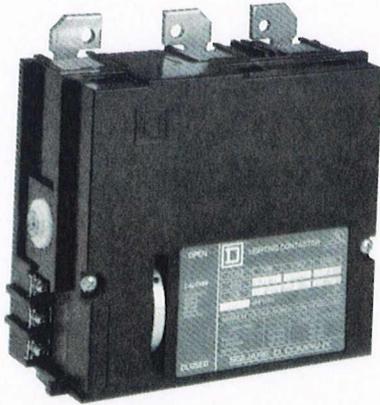


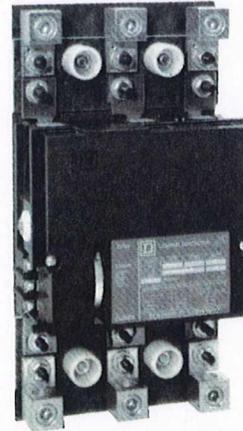
CLASS 8903 TYPE PB

# Lighting Contactors



BUS MOUNT

| AMPERE RATING | POLES | TYPE   |
|---------------|-------|--------|
| 30            | 2     | PBM10B |
|               | 3     | PBM11B |
| 60            | 2     | PBP10B |
|               | 3     | PBP11B |
| 75            | 2     | PBN10B |
|               | 3     | PBN11B |
| 100           | 2     | PBQ10B |
|               | 3     | PBQ11B |
| 150           | 2     | PBR10B |
|               | 3     | PBR11B |
| 200           | 2     | PBV10B |
|               | 3     | PBV11B |
| 225           | 2     | PBW10B |
|               | 3     | PBW11B |



PANEL MOUNT

| AMPERE RATING | POLES | TYPE  |
|---------------|-------|-------|
| 30            | 2     | PBM10 |
|               | 3     | PBM11 |
| 60            | 2     | PBP10 |
|               | 3     | PBP11 |
| 75            | 2     | PBN10 |
|               | 3     | PBN11 |
| 100           | 2     | PBQ10 |
|               | 3     | PBQ11 |
| 150           | 2     | PBR10 |
|               | 3     | PBR11 |
| 200           | 2     | PBV10 |
|               | 3     | PBV11 |
| 225           | 2     | PBW10 |
|               | 3     | PBW11 |

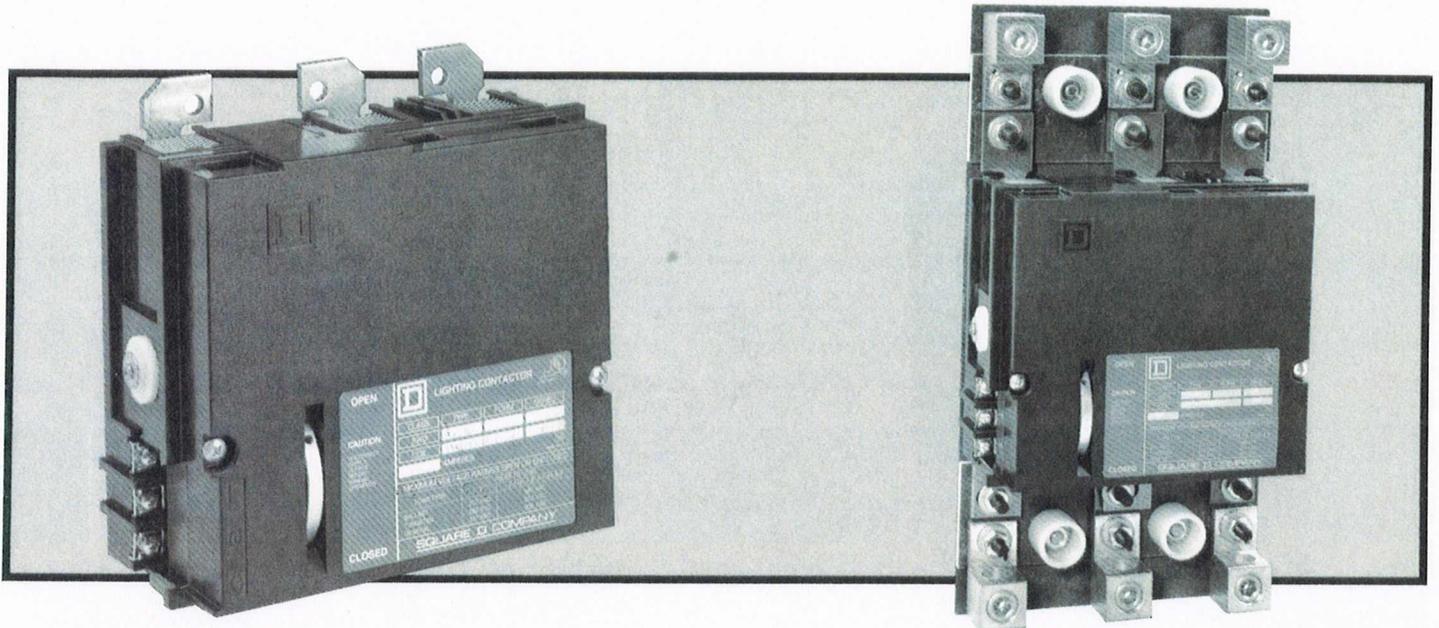
- New 65,000A withstand rating
- Low coil burden for long control distances
- Fits standard depth NQOD & NEHB lighting panelboards
- Fits industry standard mounting dimensions
- UL listed
- Mechanically held
- Panelboard type



**SQUARE D**

CLASS 8903 TYPE PB

# Lighting Contactors



## COIL INFORMATION (60 HZ)

| CONTROL CIRCUIT VOLTAGE | MAXIMUM CURRENT (AMPS) | MINIMUM COIL CIRCUIT FUSE (AMPS) |
|-------------------------|------------------------|----------------------------------|
| 120                     | 12                     | 15                               |
| 208                     | 12                     | 15                               |
| 240                     | 10                     | 15                               |
| 277                     | 10                     | 15                               |
| 480                     | 5                      | 15                               |

## MAXIMUM VOLTAGE RATINGS

| TYPE OF LOAD                   | TYPE PBM - PBW 30-225 Amperes |   |
|--------------------------------|-------------------------------|---|
|                                | WHEN CONNECTED 1 POLE TO LOAD | WHEN CONNECTED 2 POLES TO LOAD 10 AND 3 POLES TO LOAD ON 30 |
| Tungsten                       | 250 VAC                       | 250 VAC   |
| Ballast                        | 277 VAC                       | 480 VAC   |
| General Use                    | 347 VAC                       | 600 VAC   |
| Control Circuit (Coil) Voltage | 120 - 480 VAC                 |   |

## DISTANT CONTROL OF LIGHTING CONTACTORS

| CONTACTOR RATING (AMPS) | WIRE GAUGE AWG | DISTANCE IN FEET     |      |      |      |       |
|-------------------------|----------------|----------------------|------|------|------|-------|
|                         |                | COIL VOLTAGE (60 HZ) |      |      |      |       |
|                         |                | 120V                 | 208V | 240V | 277V | 480V  |
| 30-225                  | 14             | 550                  | 1650 | 2200 | 2925 | 8800  |
|                         | 12             | 900                  | 2700 | 3600 | 4700 | 14400 |
|                         | 10             | 1425                 | 4275 | 5700 | 7550 | 22800 |

## WITHSTAND RATINGS

### CONTACTORS PROTECTED BY FUSIBLE DISCONNECT SWITCHES

| Contactor Continuous Rating Amps | Fuse Rating | Maximum Voltage | Withstand Rating |
|----------------------------------|-------------|-----------------|------------------|
| 30                               | Class J     | 600             | 100,000          |
| 60                               | Class J     | 600             | 100,000          |
| 75                               | Class J     | 600             | 100,000          |
| 100                              | Class J     | 600             | 100,000          |
| 150                              | Class J     | 600             | 100,000          |
| 200                              | Class J     | 600             | 100,000          |
| 225                              | Class J     | 600             | 100,000          |

### CONTACTORS PROTECTED BY CIRCUIT BREAKERS

| Contactor Continuous Rating Amps | Maximum C.B. Rating Amps | Recommended Square D Circuit Breaker | Maximum Voltage | Withstand Rating |
|----------------------------------|--------------------------|--------------------------------------|-----------------|------------------|
| 30                               | 40                       | FH-FHL                               | 240             | 65,000           |
| 30                               | 40                       | FH-FHL*                              | 600             | 22,000*          |
| 60                               | 80                       | FH-FHL                               | 240             | 65,000           |
| 60                               | 80                       | KA-KAL                               | 600             | 22,000           |
| 75                               | 100                      | FH-FHL                               | 240             | 65,000           |
| 75                               | 100                      | KA-KAL                               | 600             | 22,000           |
| 100                              | 125                      | KH-KHL                               | 240             | 65,000           |
| 100                              | 125                      | KA-KAL                               | 600             | 22,000           |
| 150                              | 200                      | KH-KHL                               | 240             | 65,000           |
| 150                              | 200                      | KA-KAL                               | 600             | 22,000           |
| 200                              | 250                      | KH-KHL                               | 240             | 65,000           |
| 200                              | 250                      | KA-KAL                               | 600             | 22,000           |
| 225                              | 300                      | LH-LHL                               | 240             | 65,000           |
| 225                              | 300                      | LA-LAL                               | 600             | 22,000           |

\*Withstand Rating equals 18,000 A when used with Sq. D FH-FHL at 600V

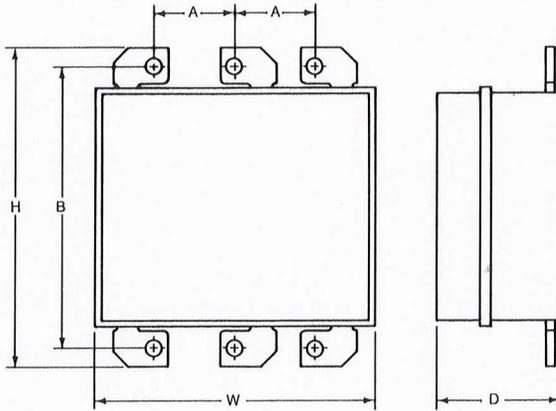
## COMMON MODIFICATIONS FOR TYPE PB LIGHTING CONTACTORS

| Description                                       | Form Letter |
|---|-------------|
| Two Wire Control                                  | R6          |
| Three Wire Control for Long Distance Applications | R62         |
| (1) Auxiliary Contact SPDT                        | X11         |
| (2) Auxiliary Contacts SPDT                       | X22         |

## WIRING TERMINALS

| Ampere Rating | Type | Power Terminals On Lighting Contactor |                     | Control Terminals On Lighting Contactor |                     |
|---------------|------|---------------------------------------|---------------------|---|---------------------|
|               |      | Type of Lug                           | Wire Size Min.-Max. | Type of Lug                             | Wire Size Min.-Max. |
| 30            | PBM  | Screw Lug                             | 14 AWG - 1/0 AWG    | Clamp                                   | #14 - #10           |
| 60            | PBP  | Screw Lug                             | 14 AWG - 1/0 AWG    | Clamp                                   | #14 - #10           |
| 75            | PBN  | Screw Lug                             | 14 AWG - 1/0 AWG    | Clamp                                   | #14 - #10           |
| 100           | PBQ  | Screw Lug                             | 14 AWG - 1/0 AWG    | Clamp                                   | #14 - #10           |
| 150           | PBR  | Screw Lug                             | 4/0 AWG - 350 kcmil | Clamp                                   | #14 - #10           |
| 200           | PBV  | Screw Lug                             | 4/0 AWG - 350 kcmil | Clamp                                   | #14 - #10           |
| 225           | PBW  | Screw Lug                             | 4/0 AWG - 350 kcmil | Clamp                                   | #14 - #10           |

# DIMENSIONS

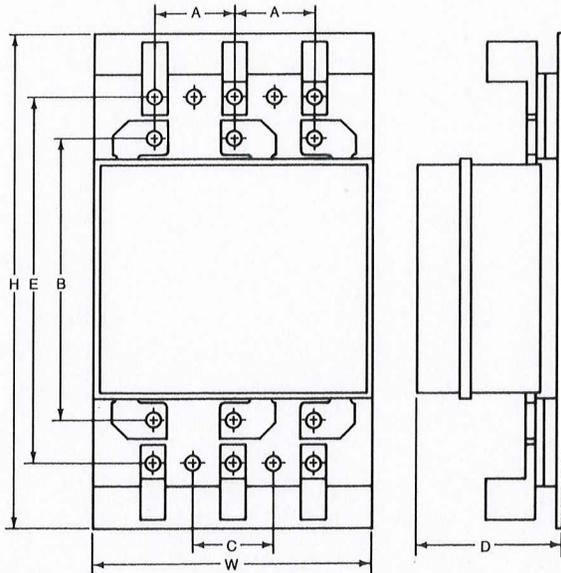


## BUS MOUNT

| AMPERE RATING | TYPE      | NO. OF POLES | DIMENSIONS    |               |              |              |               |
|---------------|-----------|--------------|---------------|---------------|--------------|--------------|---------------|
|               |           |              | H             | W             | D            | A            | B             |
| 30-100        | PBM - PBQ | 2 - 3        | 8.31<br>(211) | 7.50<br>(191) | 3.38<br>(86) | 2.25<br>(57) | 7.38<br>(187) |
| 150-225       | PBR - PBW | 2 - 3        | 9.50<br>(241) | 7.50<br>(191) | 3.38<br>(86) | 2.88<br>(73) | 8.50<br>(216) |

◆SLOTTED MOUNTING HOLES SUITABLE FOR 2.88 TO 3.19 MOUNTING CENTERS

Dual Dimensions: INCHES / Millimeters



## PANEL MOUNT

| AMPERE RATING | TYPE      | NO. OF POLES | DIMENSIONS     |               |              |              |               |              |                |
|---------------|-----------|--------------|----------------|---------------|--------------|--------------|---------------|--------------|----------------|
|               |           |              | H              | W             | D            | A            | B             | C            | E              |
| 30-100        | PBM - PBQ | 2 - 3        | 11.75<br>(298) | 7.50<br>(191) | 3.88<br>(98) | 2.25<br>(57) | 7.38<br>(187) | 2.25<br>(57) | 9.25<br>(234)  |
| 150-225       | PBR - PBW | 2 - 3        | 14.50<br>(368) | 7.50<br>(191) | 3.88<br>(98) | 2.88<br>(73) | 8.50<br>(216) | 3.00<br>(76) | 10.50<br>(266) |

Dual Dimensions: INCHES / Millimeters



*We Respond.*<sup>®</sup>

**SQUARE D COMPANY**

Dedicated to Growth • Committed to Quality