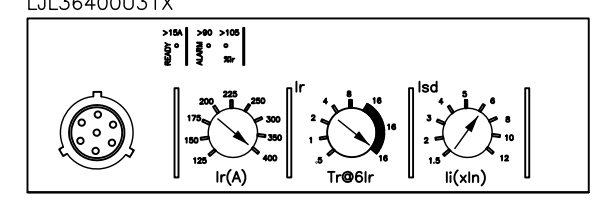


FACTORY INSTALLED TYPE LJL CIRCUIT BREAKER HAS AN ADJUSTABLE TRIP AMPERE RATING RANGING FROM 125A TO 400A PER TABLE BELOW. EXACT AMPERE RATING MAY NOT BE ATTAINABLE. EXAMPLES:  
 225A (AVAILABLE SETTINGS 223A OR 228A)  
 250A (AVAILABLE SETTINGS 246A OR 252A)  
 300A (AVAILABLE SETTINGS 297A OR 304A)  
 350A (AVAILABLE SETTINGS 340A OR 352A)

CIRCUIT BREAKER TYPE	STANDARD LUG WIRE RANGE (AWG-KCMIL)	OPTIONAL LUG WIRE RANGE (AWG-KCMIL)
LJL	(2) 2/0-500 CU-AL	#2-600 CU #2-500 AL

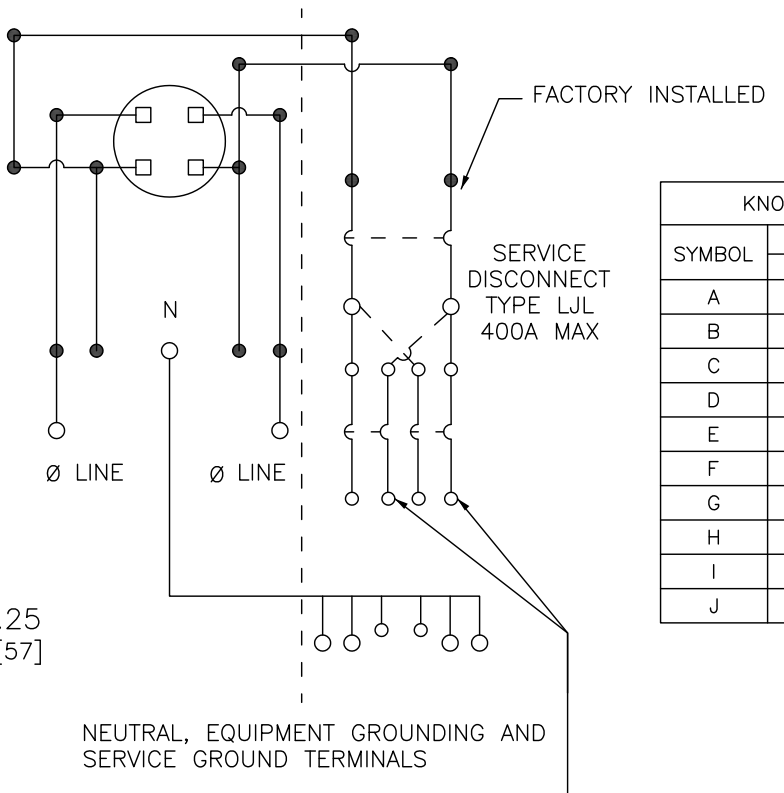
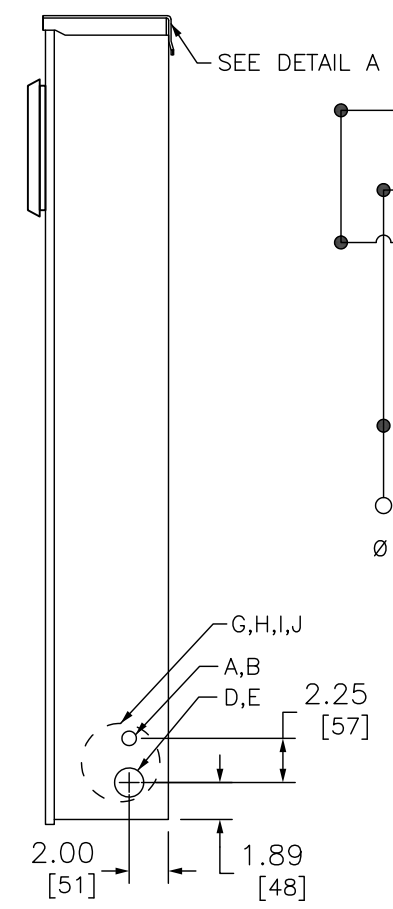
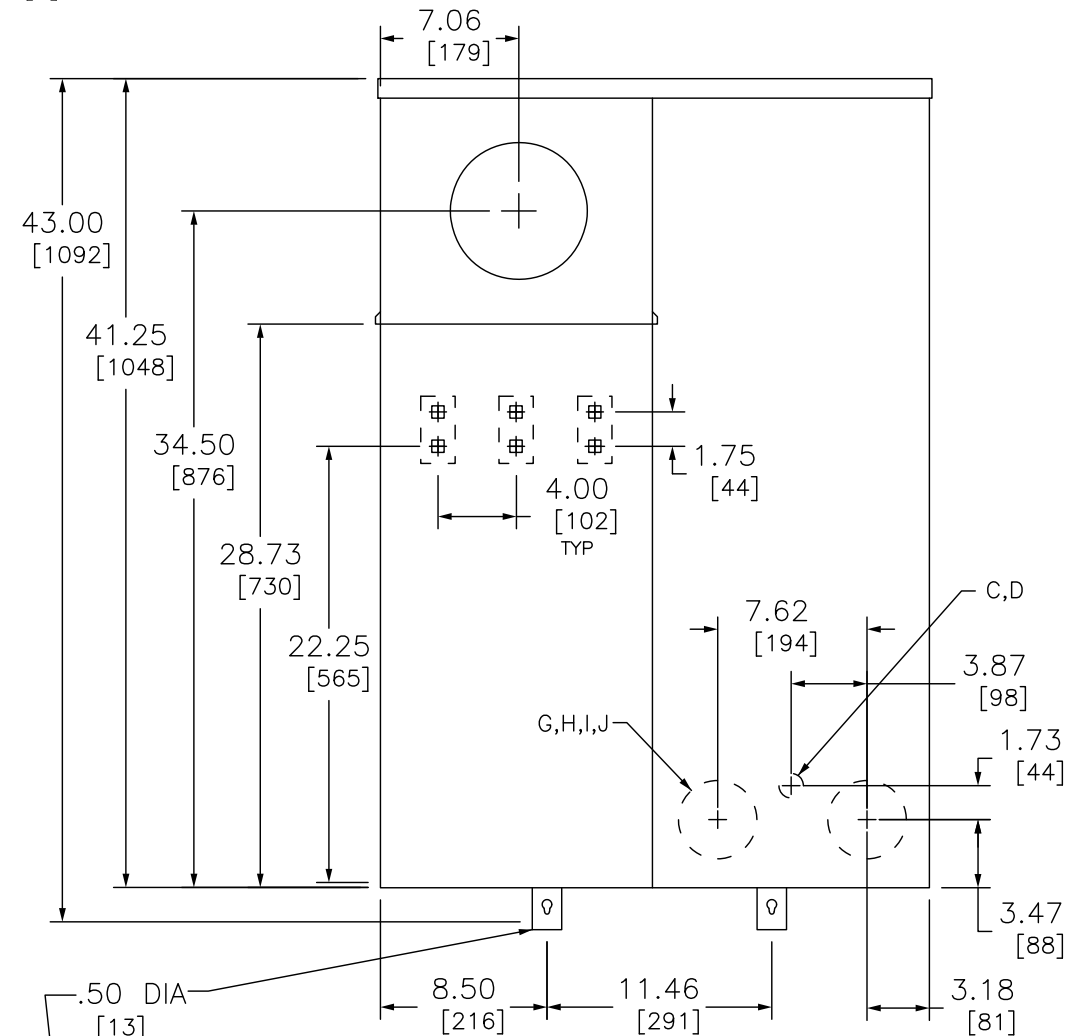
NOTE: ORDER OPTIONAL LUG KITS SEPARATELY (AL400L61K3) KIT INCLUDES THREE LUG.  
 LJL36400U31X



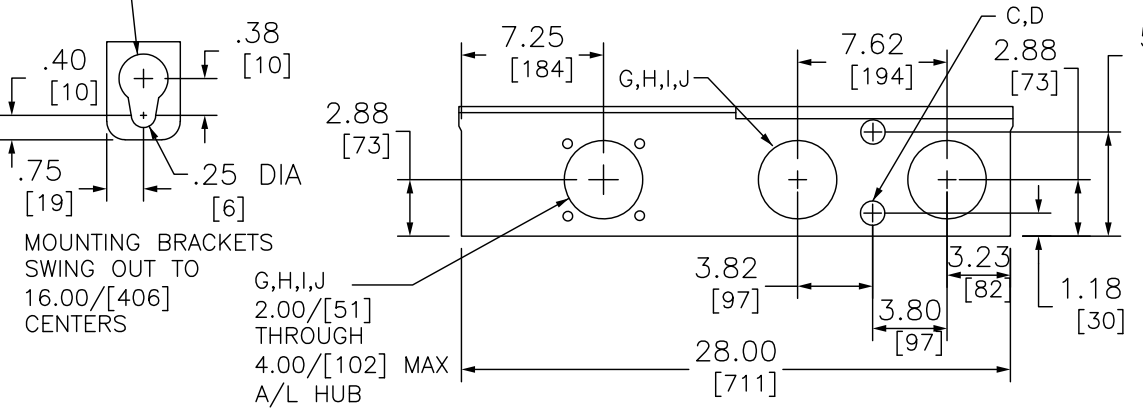
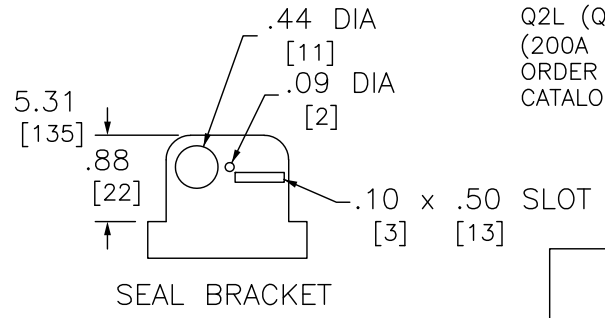
ADJUSTABLE SHORT TIME TRIP RANGE SETTING IS FACTORY SET AT  $I_{sd}=6$ . WITH BREAKER AMPERE RATING SET FOR 400A, THE SHORT TIME TRIP RATING FOR THE BREAKER IS SET AT 2400 (6X400AMP=2400AMP).

OPTIONAL TAMPER EVIDENT SEALING KIT REF. 29375 IS AVAILABLE FOR INSTALLATION ON THE CLEAR DIAL COVER, KIT INCLUDES SCREW HEAD COVER, SEALING WIRE, LEAD CRIMP SEAL AND INSTALLATION INSTRUCTION.(REFER TO. NEC2002, ARTICLE 240-6C)

SYMBOL	CONDUIT SIZE	
	IN	MM
A	.50	13
B	.75	19
C	1.00	25
D	1.25	32
E	1.50	38
F	2.00	51
G	2.50	64
H	3.00	76
I	3.50	89
J	4.00	102



TWO BRANCH CIRCUIT BREAKERS TYPE Q2L (QBL, QDL OR QGL PREFIX) (200A MAX) MAY BE FIELD INSTALLED. ORDER ONE MOUNTING KIT CATALOG NUMBER BMK2Q400



NOTES:  
 FINISH - GRAY BAKED ENAMEL POWDER COAT PAINT OVER CLEANED GALVANNEALED STEEL.  
 UL LISTED - FILE E-6294, VOL. M  
 SUITABLE ONLY FOR USE AS SERVICE EQUIPMENT.  
 SUITABLE FOR UNDERGROUND SERVICE ONLY. FOR OVERHEAD SERVICE ENTRANCE, ORDER OCK400 OVERHEAD FEED TROUGH.  
 CONVERTIBLE TO SEMIFLUSH WITH FK400 FLANGE KIT  
 WHEN Q-FRAME BRANCH BREAKERS ARE REQUIRED, ORDER CIRCUIT BREAKER MOUNTING KIT BMK2Q400.  
 THEN LOAD CONDUCTORS FOR THE Q-FRAME BREAKERS ARE RESTRICTED TO (1) 250 KCMIL MAX PER PHASE(POLE)

INTERRUPTING RATING RMS SYMMETRICAL AMPERES @ 240 VAC MAX.	SHORT CIRCUIT CURRENT RATING			
	SERVICE DISCONNECT		SQUARE D BRANCH CIRCUIT BREAKER	
	CATALOG DESIGNATION	CURRENT RATING AMPERE MAX.	CATALOG DESIGNATION	CURRENT RATING AMPERE MAX.
100,000	LJL	400	NONE	NONE
65,000			QGL	200
25,000			QDL	200
10,000			QBL	200

DUAL DIMENSIONS: INCHES MILLIMETERS

CATALOG NUMBER	SERIES	METER SOCKET CLASS	BYPASS TYPE	MAXIMUM SYSTEM VOLTAGE	AMPERE RATING	OPTIONAL BRANCH BREAKER SPACES	MAXIMUM AMPACITY OF BRANCH BREAKERS	MAIN WIRE SIZE *AWG/kcmil AL/CU
CUM400CB	M01	CLASS 320 4 JAW	MANUAL	120/240VAC 1Ø 3W	400	2	200	SUPPLIED WITH LUG PADS - ORDER LUGS SEPARATELY

\* LINES SIDE CONDUCTORS RESTRICTED TO ONE PER PHASE

ddatte  
 RING TYPE METER MAIN  
 RAINPROOF NEMA TYPE 3R ENCLOSURE  
 SURFACE/SEMIFLUSH

**SQUARE D**  
 by Schneider Electric

DWG# 3445  
 NO.