

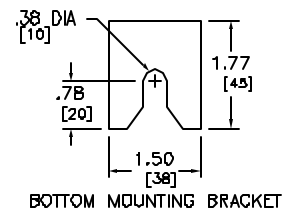
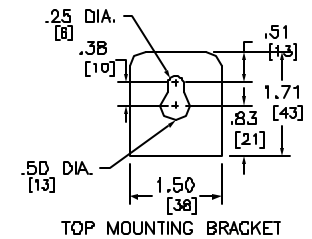
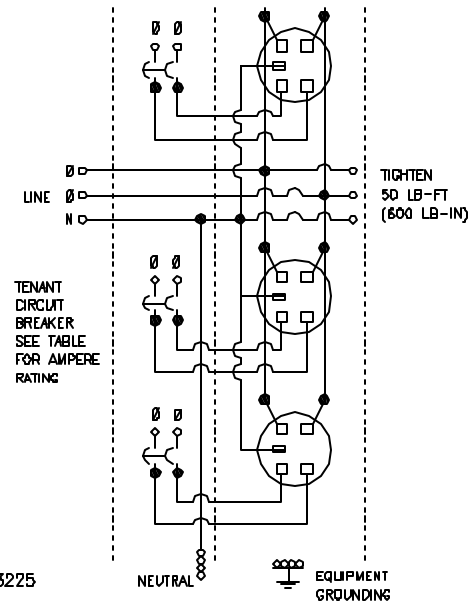
BRANCH UNIT AVAILABLE WITH ALL COPPER BUSSING
ADD SUFFIX "CU" TO CATALOG NUMBER (EXAMPLE:
EZML113225CU).

FOR METERING EQUIPMENT SHORT
CIRCUIT CURRENT RATINGS
REFER TO SQUARE D DIGEST
173, PAGE 2-6.

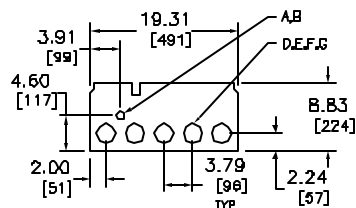
TENANT CIRCUIT BREAKERS (ORDER ONE PER SOCKET POSITION)			
TENANT CIRCUIT BREAKER (2-POLE)	AMPERE RATINGS MIN. - MAX.	SHORT CIRCUIT BREAKER RATING RMS SYMMETRICAL AMPERES MAX.	VOLTS MAX.
QO	40 - 125	10,000	120/240
QBP-TM	70 - 225	10,000	
QO-VH	40 - 60	22,000	
QBP-TM	70 - 225	25,000	
QCH	40 - 60	42,000	
QGP-TM	70 - 225	65,000	
QJP-TM	70 - 225	100,000	

FOR QO TYPE CIRCUIT BREAKERS ADAPTER KIT CAT. NO. EZM12500A IS REQUIRED (ORDER SEPARATELY, ONE KIT PER POSITION).

KNOCKOUTS		
SYMBOL	CONDUIT SIZE	
	IN	MM
A	.50	13
B	.75	19
D	1.25	32
E	1.50	38
F	2.00	51
G	2.50	64



DUAL DIMENSIONS: INCHES MILLIMETERS



NOTES:
FINISH - GRAY BAKED ENAMEL POWDER COAT PAINT OVER CLEANED GALVANNEALED STEEL.
UL LISTED - FILE E-131B40, VOL. M
SUITABLE FOR USE AS SERVICE EQUIPMENT.
MAIN HORIZONTAL CROSS BUS RATED AT 1200 AMPERES.
GANGABLE MULTI-METERING EQUIPMENT IS DESIGNED FOR WALL MOUNTING ONLY (NOT SUITABLE FOR FLOOR STANDING EQUIPMENT).
UNMETERED COMPARTMENTS ARE SEALABLE BY UTILITY.

SYSTEM TYPE (IN)	SERVICE PROVIDED (OUT)	CATALOG NUMBER	METER SOCKET TYPE	NUMBER OF POSITIONS	TENANT CIRCUIT BREAKER (ORDER SEPARATELY)	NEUTRAL WIRE RANGE	EQUIPMENT GROUND LUG WIRE RANGE
1Ø 3W 120/240 VAC	1Ø 3W 120/240 VAC	EZML113225	5-JAW RINGLESS TYPE WITH LEVER BYPASS AND JAW RELEASE	3	2-POLE SEE TABLE ABOVE	# 6-300 KCMIL CU/AL	# 14-2/0 KCMIL CU # 12-2/0 KCMIL AL

EZ METER-PAK GANGABLE
MULTI-METERING EQUIPMENT
225 MAX 1PH 3W METER SOCKET/CIRCUIT BREAKER
3-GANG BRANCH UNITS
RAINPROOF NEMA TYPE 3R ENCLOSURES



DWG# 3298
NO.