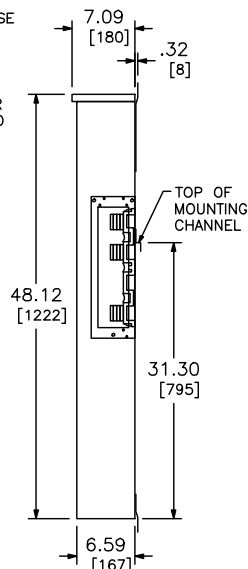
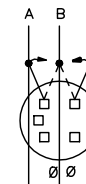
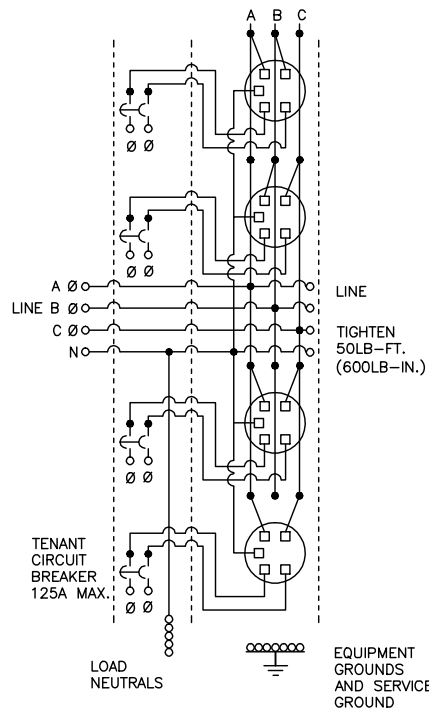


SUPPLIED WITH DRIP HOOD FOR USE OUTDOORS (NEMA 3R). DRIP HOOD IS REMOVABLE WHEN USED INDOORS (NEMA 1). A FACTORY INSTALLED TO ENDWALL WITH KNOCKOUT SIMILAR TO BOTTOM ENDWALL IS SUPPLIED FOR CABLE EXITS OUT THE TOP.

HORIZONTAL CROSS BUS SYSTEM INCLUDES EXCLUSIVE VISI-TITE JOINT-NUTS TO MAKE ALL PHASE AND NEUTRAL CONNECTIONS BETWEEN TWO EZM UNITS.

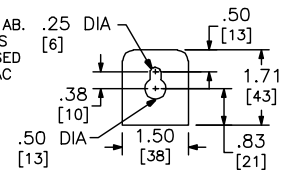


HORIZONTAL CROSS BUS RATED 800A CONTINUOUS. (UNIT SUPPLIED WITH ALL ALUMINUM BUSSING).

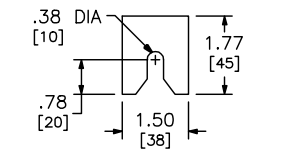


KNOCKOUTS	
SYMBOL	CONDUIT SIZE
	IN MM
A	.50 13
B	.75 19
C	1.00 25
D	1.25 32
E	1.50 38

EACH SOCKET LINE CONNECTOR MAY BE MOVED TO BALANCE LOADING. PHASE AC, BC OR AB. THIS DEVICE LEAVES THE FACTORY PHASED AB, BC, AC, AND AC TOP TO BOTTOM.



TOP MOUNTING BRACKET



BOTTOM MOUNTING BRACKET

DUAL DIMENSIONS: INCHES MILLIMETERS

NOTES:
 FINISH - GRAY BAKED ENAMEL POWDER COAT PAINT OVER CLEANED GALVANNEALED STEEL.
 UL LISTED AS A MODULAR-PANELBOARD - FILE E131840, VOL. M SUITABLE FOR USE AS SERVICE EQUIPMENT.
 WHEN SERVICE GROUND IS TERMINATED IN THIS DEVICE A BONDING JUMPER (2/0 AWG MAX) IS REQUIRED TO CONNECT EQUIPMENT GROUND TO LOAD NEUTRAL AND IS LIMITED FOR USE WITH 800A MAX MAIN LUGS TAP BOX. UNMETERED COMPARTMENTS ARE SEALABLE BY UTILITY.
 SEE MARKINGS ON TENANT CIRCUIT BREAKER FOR WIRE RANGES. GANGABLE MULTI-METERING EQUIPMENT IS DESIGNED FOR WALL MOUNTING ONLY (NOT SUITABLE FOR USE AS FLOOR STANDING EQUIPMENT).

SYSTEM TYPE (IN)	SERVICE PROVIDED (OUT)	CATALOG NUMBER	METER SOCKET TYPE	NUMBER OF POSITIONS	TENANT CIRCUIT BREAKER (ORDER SEPARATELY)	LOAD NEUTRAL WIRE RANGE	EQUIPMENT GROUND AND SERVICE GROUND WIRE RANGE
3 Ø 4W 208Y/120VAC	1Ø 3W 120/208VAC	EZM314125	5-JAW RING TYPE WITHOUT BYPASS	4	QO,QO-VH,OR QOH 125A MAX 2-POLE	(5) #14-2/0 AWG CU (5) #12-2/0 AWG AL	(7) #14-2/0 AWG CU (7) #12-2/0 AWG AL

EZ METER-PAK GANGABLE MULTI-METERING EQUIPMENT
 125A MAX 3PH 4W METER SOCKET/CIRCUIT BREAKER
 4-GANG BRANCH UNITS
 RAINPROOF NEMA TYPE 3R ENCLOSURES



DWG# 3154
 NO.