

Field Testing and Maintenance Guide for Thermal-Magnetic and MicroLogic™ Electronic-Trip Circuit Breakers

Class 0600

Instruction Bulletin

0600IB1201
Release date 05/2022



Legal Information

The Schneider Electric brand and any trademarks of Schneider Electric SE and its subsidiaries referred to in this guide are the property of Schneider Electric SE or its subsidiaries. All other brands may be trademarks of their respective owners.

This guide and its content are protected under applicable copyright laws and furnished for informational use only. No part of this guide may be reproduced or transmitted in any form or by any means (electronic, mechanical, photocopying, recording, or otherwise), for any purpose, without the prior written permission of Schneider Electric.

Schneider Electric does not grant any right or license for commercial use of the guide or its content, except for a non-exclusive and personal license to consult it on an "as is" basis. Schneider Electric products and equipment should be installed, operated, serviced, and maintained only by qualified personnel.

As standards, specifications, and designs change from time to time, information contained in this guide may be subject to change without notice.

To the extent permitted by applicable law, no responsibility or liability is assumed by Schneider Electric and its subsidiaries for any errors or omissions in the informational content of this material or consequences arising out of or resulting from the use of the information contained herein.

Table of Contents

Section 1—Introduction.....	6
Inspection and Testing	6
Thermal-Magnetic Circuit Breaker Testing Inaccuracies	7
Safety Precautions	7
Section 2—Visual Inspection and Preventive Maintenance.....	8
Molded Case of Circuit Breakers.....	8
Procedures	8
Visual Inspections During Operation.....	8
Maintenance Inspections.....	9
Thermographic Inspection	12
Additional Information	12
Section 3—Performance Tests for Thermal-Magnetic Circuit Breaker.....	13
General Circuit Breaker Performance Tests	13
Field Testing Special 500 Vdc Circuit Breakers.....	13
Field Testing AC Thermal-Magnetic Circuit Breakers	14
Performance Tests.....	15
Insulation Resistance Test.....	15
Thermal-Magnetic Circuit Breaker Performance Tests	15
Remove Test Connections.....	19
Additional Information	19
Section 4—Performance Tests for PowerPacT Circuit Breakers.....	20
Performance Tests.....	20
Insulation Resistance Test (Dielectric Testing).....	20
MicroLogic Trip Unit Checks	21
Procedure to Defeat Zone-Selective Interlocking	21
Secondary Injection	22
Primary Injection Testing	22
Circuit Breakers with Integral Ground Fault Protection	24
Ground-Fault Protection and Indication Only Tests for Radial Systems.....	25
Remove Test Connections.....	29
Additional Information	29
Section 5—Performance Tests for Electronic Trip Legacy LE/LX, ME/MX, PE/PX, and SE Circuit Breaker.....	30
General Circuit Breaker Performance Tests	30
MicroLogic Electronic-Trip Circuit Breaker Tests.....	31
Circuit Breakers with Integral Ground Fault Protection	34
Procedure for Circuit Breakers Used with PowerLogic Systems.....	34
Procedure to Defeat Zone-Selective Interlocking	34
Ground-Fault Protection and Indication Only Tests for Radial Systems.....	35
Remove Test Connections.....	40
Additional Information	40
Section 6—Available Test Equipment.....	41

Test Equipment for L-, M-, N-, P- and S-Frame Circuit Breakers with
MicroLogic Trip Units 41

- Local Current Meter Kit..... 41
- Memory-Reset Module 41
- Primary Injection Test Kit 41
- Universal Test Set..... 42

Test Equipment for PowerPacT P/R Circuit Breakers with MicroLogic
Electronic Trip Units..... 42

- Full-Function Test Kit..... 42
- Hand-Held Test Kit 42

Available Test Equipment for PowerPacT H/J/L Circuit Breakers with
MicroLogic Electronic-Trip Units..... 43

- Pocket Tester 43
- UTA Tester for Test and Maintenance 43

Safety Information

Read these instructions carefully and look at the equipment to become familiar with the device before trying to install, operate, service, or maintain it. The following special messages may appear throughout this bulletin or on the equipment to warn of hazards or to call attention to information that clarifies or simplifies a procedure.



The addition of either symbol to a “Danger” or “Warning” safety label indicates that an electrical hazard exists which will result in personal injury if the instructions are not followed.



This is the safety alert symbol. It is used to alert you to personal injury hazards. Obey all safety messages that follow this symbol to avoid possible injury or death.

⚠ DANGER
DANGER indicates a hazardous situation which, if not avoided, will result in death or serious injury.

⚠ WARNING
WARNING indicates a hazardous situation which, if not avoided, could result in death or serious injury.

⚠ CAUTION
CAUTION indicates a hazardous situation which, if not avoided, could result in minor or moderate injury.

NOTICE
NOTICE is used to address practices not related to physical injury.

Please Note

Electrical equipment should be installed, operated, serviced, and maintained only by qualified personnel. No responsibility is assumed by Schneider Electric for any consequences arising out of the use of this material.

A qualified person is one who has skills and knowledge related to the construction, installation, and operation of electrical equipment and has received safety training to recognize and avoid the hazards involved. Electrical equipment should be transported, stored, installed, and operated only in the environment for which it is designed.

Section 1—Introduction

Inspection and Testing

The service life of molded case circuit breakers depends on proper application, correct installation, environmental conditions and preventive maintenance. Two levels of investigation can ensure that a circuit breaker is able to operate properly:

1. Inspection and preventive maintenance.
2. Performance and verification tests.

To ensure continued suitable performance, periodically inspect the circuit breakers following the procedures outlined in this document. These test procedures will help diagnose operational problems and are provided as an aid or as follow-up to an inspection that reveals potential problems. The inspection, preventive maintenance, and field-testing instructions provided in this document are intended for use with electronic-trip molded-case circuit breakers with the MicroLogic trip system, thermal-magnetic circuit breakers, and magnetic-only circuit breakers.

Table 1 - Circuit Breaker Inspection and Testing

Circuit Breaker Type	Inspection	Performance Tests
Thermal-Magnetic Circuit Breakers	Section 2	Section 3
Magnetic-Only Circuit Breakers	Section 2	Section 3
PowerPacT Circuit Breakers	Section 2	Section 4
Electronic Trip (Except for MasterPacT and PowerPacT) Circuit Breakers	Section 2	Section 5

For information on maintenance and testing of insulated case MasterPacT circuit breakers, see bulletin 0613IB1202, Maintenance and Field Testing Guide for MasterPacT NT and NW Circuit Breakers.

The standard generally used as a basis for field-testing requirements is the National Electrical Manufacturers Association Standard, NEMA AB 4, "Guidelines for Inspection and Preventive Maintenance of Molded Case Circuit Breakers Used in Commercial and Industrial Applications." If additional information or assistance is required, contact your local field sales office. For on-site service, contact the Customer Information Center twenty-four hours a day at 1-888-778-2733.

The inspection and preventive maintenance procedures outlined in this publication may be useful in setting up a routine inspection program. Conduct performance tests only if inspection or daily operation indicates that a circuit breaker may not be adequately providing the protection required by its application.

If questionable results are observed during inspection or performance tests, consult your local field sales office. If it is necessary to return a circuit breaker to the manufacturing facility, use proper packaging and packing materials to avoid shipping damage.

This publication is not intended, nor is it adequate, to verify proper electrical performance of a molded case circuit breaker that has been disassembled, modified, rebuilt, refurbished, or handled in any manner not intended or authorized by Schneider Electric.

Thermal-Magnetic Circuit Breaker Testing Inaccuracies

During the last few years there have been increasing incidents of inaccurate field testing. Major obstacles to accurate field testing of circuit breakers are the variables present in modern installations, such as variations in enclosures, bussing, cabling and proximity to other equipment.

Another obstacle is Vac vs. Vdc test currents for direct current applications. Most manufacturers have tested and certified ac circuit breakers for use in low-voltage dc applications (250 Vdc or less). When applying thermal-magnetic circuit breakers, 1000 A frame or less, on low-voltage (< 250 Vdc systems) the circuit breaker's thermal characteristics remain unchanged. But the magnetic (instantaneous) characteristics do change and require a multiplier to determine the dc current necessary to trip the circuit breaker. The multipliers for use with Square D™ equipment are shown in the *Determining Current Carrying Capacities in Special Applications* data bulletin.

For circuit breakers above 1000 A and 500 Vdc circuit breakers, the correlation between ac current and dc current is not predictable. For accurate results, these circuit breakers must be tested using dc current. See *Field Testing Special 500 Vdc Circuit Breakers*, page 13 for testing information.

Safety Precautions

1. Only qualified electrical workers with training and experience on low-voltage circuits should perform work described in these instructions. Workers must understand the hazards involved in working with or near low-voltage equipment. Such work should be performed only after reading this complete set of instructions.
2. Some inspections or procedures require that certain parts of the electrical system remain energized at hazardous voltage during the procedure. Observe all specific safety messages (Danger, Warning, Caution) throughout this manual.
3. Wear protective safety equipment, recognize potential hazard, and take adequate safety precautions when performing the procedures outlined in this manual.

Section 2—Visual Inspection and Preventive Maintenance

Molded case circuit breakers normally require very little maintenance. The Company recommends that inspection procedures be performed on a regular basis. Inspection frequency depends on operating and environmental conditions associated with the application.

Visual inspections during operation can be performed any time electrical workers or maintenance personnel are in the vicinity of the electrical equipment.

Maintenance inspections can be done during normal maintenance intervals. It is recommended that the circuit breaker mechanism be exercised annually. Inspection and maintenance may be required more frequently if adverse operating or environmental conditions exist.

Molded Case of Circuit Breakers

The molded case of a Square D molded case circuit breaker should not be opened. Opening the case or disassembling the circuit breaker voids the manufacturer's warranty and compromises the integrity of the device. Opened or otherwise inoperable circuit breakers should be destroyed or returned to the Company to prevent them from being returned to service. Removal of auxiliary or accessory covers does not constitute opening the molded case.

Procedures

Visual Inspections During Operation

DANGER

HAZARD OF ELECTRIC SHOCK, EXPLOSION, OR ARC FLASH

- Apply appropriate personal protective equipment (PPE) and follow safe electrical work practices. See NFPA 70E or CSA Z462.
- This equipment must be installed and serviced by qualified electrical personnel.
- Take precautions to ensure that no accidental contact is made with live components during this check.

Failure to follow these instructions will result in death or serious injury.

While circuit breaker is energized:

1. Verify circuit breaker application and rating.

Make sure that the circuit breaker is properly applied within labeled voltage, ampere rating, maximum current interrupting ratings and to Company recommendations. Compare the circuit breaker faceplate data to the installation drawings. Verify trip unit settings on MicroLogic electronic-trip circuit breakers with the coordination study. After completing inspection and maintenance procedures, insure that all trip unit settings for all functions are set according to the coordination study.

2. Check for overheating while equipment is energized.

While the circuit breaker is normally operating, under load and at operating temperature, check the exposed, accessible, insulated face of the circuit breaker and adjacent dead front surfaces of the enclosure for overheating. To do this, use an infrared temperature probe to check the temperature. If the temperature exceeds 60°C, the cause should be investigated.

Allow initially energized circuit breaker at least three hours to reach operating temperature. Compare the surface temperature of individual circuit breakers with the surface temperature of other circuit breakers in the installation. Circuit breaker surface temperatures vary according to loading, position in the panelboard and ambient temperature. If the surface temperature of a circuit breaker is considerably higher than adjacent circuit breakers, the cause should be investigated.

Thermographic inspection methods may also be used to evaluate overheating with equipment energized (see Thermographic Inspection, page 12).

3. Check for cracks in the molded case.

Any circuit breaker with a cracked molded case should be replaced because its ability to withstand short-circuit interruption stresses is reduced.

4. Inspect the enclosure.

The enclosure should be clean and dry. All covers and trip pieces should be in place.

Maintenance Inspections

DANGER

HAZARD OF ELECTRIC SHOCK, EXPLOSION, OR ARC FLASH

- Apply appropriate personal protective equipment (PPE) and follow safe electrical work practices. See NFPA 70E or CSA Z462.
- This equipment must be installed and serviced by qualified electrical personnel.
- Disconnect all power sources before performing maintenance inspections. Assume that all circuits are live until they are completely de-energized, tested, grounded and tagged. Consider all sources of power, including the possibility of backfeeding and control power.
- Always use a properly rated voltage sensing device to confirm power is off.
- Replace all devices, doors and covers before turning on power to this equipment.

Failure to follow these instructions will result in death or serious injury.

While circuit breaker is de-energized:

1. Check for overheating while the equipment is de-energized.

Visually inspect electrical components for discoloration. This may indicate overheating. If there is no evidence of overheating or loose connections, do not disturb or re-torque connections.

Copper Connections:

- If evidence of overheating is found on terminals, connectors, conductors or conductor insulation, clean and dress all affected connections and bus bars to NEMA Standards Publication AB4.

Aluminum Connections:

- Overheated aluminum connectors must be replaced and damaged portions of the conductor removed. If the conductor is not long enough to properly terminate the circuit breaker when the damaged portion is removed, make an appropriate splice using a new length of rated conductor.

I-Line™ Panelboard Connections:

- If the I-Line panelboard jaw connections are pitted, discolored or deformed, the circuit breaker must be replaced. I-Line jaws are gauged and tested during the manufacturing process. They are not field replaceable. Do not bend or adjust them.
- If electrical joint compound is removed from I-Line connections, it must be reapplied before reinstallation of the circuit breaker(s). This compound is necessary to ensure the integrity of the connection. I-Line panelboard connections require Square D PJC-7201 joint compound.

NOTICE

HAZARD OF EQUIPMENT DAMAGE

Drawout connection lubrication must be reapplied each time the circuit breaker is removed from the cradle.

Failure to follow these instructions can result in equipment damage.

Drawout Connections:

- If circuit breaker drawout connections are discolored or deformed, the circuit breaker must be replaced.
- Drawout connections must have lubrication applied each time the circuit breaker is removed from the cradle. This compound is necessary to ensure the integrity of the connection.
- Drawout connections for SE circuit breakers require Square D PJC8311 joint compound.
- Drawout connections for PowerPacT circuit breakers require grease kit S48899 to lubricate clusters and stabs.

After cleaning and/or replacing damaged parts, torque all connections to values specified by Square D. Refer to circuit breaker instruction bulletins for additional information regarding torque values. Bulletins are shipped with the circuit breakers and are available from the Square D internet technical library.

2. Exercise circuit breaker mechanism:

Toggle the circuit breaker handle on and off several times to ensure that mechanical linkages are free. Trip the circuit breaker with the push-to-trip button. Reset and turn the circuit breaker back on. Repeat to ensure operability. If the circuit breaker does not trip, or if it does not reset after tripping, it must be replaced.

NOTE: The Visi-Trip LED handle aids in quickly locating a circuit breaker that requires attention. Inspect the handle position for circuit breaker trip indication.

NOTE: When performing annual maintenance in accordance with MCCB Field Testing and Maintenance Guide (0600IB1201), operate the push to trip button (if equipped) to verify the Visi-Trip functionality. Cycle the circuit breaker from tripped to OFF, and then from OFF to ON and take note of the battery health.

Light Pattern	Indicator
Fast flash for two seconds.	Battery low (20% remaining). ¹
Long duration slow flash (continuous flash for six hours).	The circuit breaker requires inspection.

3. Clean the circuit breaker. Remove any buildup of dust, dirt, grease or moisture from circuit breaker surfaces with a lint-free dry cloth or vacuum cleaner. Do not use compressed air. Use caution when using detergent-based cleaners or solvents: these may deteriorate faceplate, labels, and insulation materials. Clean contact surfaces of circuit breaker terminals and terminal pads or bus bars with a nonabrasive cleaner. Abrasive cleaners will remove plating, resulting in joint deterioration.

If electrical joint compound is removed from I-Line or SE drawout connections, Square D PJC-7201 or PJC-8311 joint compound, respectively, must be reapplied before reinstalling the circuit breakers. This compound is necessary to ensure the integrity of the connection.

1. Contact Schneider Electric services for replacement detail.

Thermographic Inspection

DANGER

HAZARD OF ELECTRIC SHOCK, EXPLOSION, OR ARC FLASH

Only qualified electrical workers with training and experience on low-voltage circuits should perform thermographic inspections. These workers must understand the hazards involved in working with or near low-voltage equipment. Perform such work only after reading this complete set of instructions.

Failure to follow these instructions will result in death or serious injury.

Infrared thermographic inspection techniques may be useful in evaluating the operating condition of circuit breakers and terminations. Comparison to stored infrared thermographic images may be useful for the preventive maintenance of circuit breakers and end-use equipment. The actual amount of heat emitted is a function of both load current and ambient conditions. Interpretation of infrared survey requires experience and training in this type of inspection.

Allow initially energized circuit breakers at least three hours to reach operating temperature. Compare the thermographic images of individual circuit breakers to previously stored images of the same circuit breakers.

Additional Information

For more information concerning Square D circuit breakers, refer to the appropriate instruction manual. These manuals contain installation instructions, mounting information, safety features, wiring diagrams, and troubleshooting charts for specific circuit breakers.

Section 3—Performance Tests for Thermal-Magnetic Circuit Breaker

These tests check the performance of thermal-magnetic trip molded case circuit breakers.

General Circuit Breaker Performance Tests

⚠️⚠️ DANGER

HAZARD OF ELECTRIC SHOCK, EXPLOSION, OR ARC FLASH

- Apply appropriate personal protective equipment (PPE) and follow safe electrical work practices. See NFPA 70E or CSA Z462.
- This equipment must be installed and serviced by qualified electrical personnel.
- Turn off all power supplying this equipment before working on or inside equipment.
- Always use a properly rated voltage sensing device to confirm power is off.
- Replace all devices, doors and covers before turning on power to this equipment.
- Do not touch the circuit breaker terminals or the test leads while the circuit breaker is being tested.

Failure to follow these instructions will result in death or serious injury.

Do the performance tests in the order given to maximize the accuracy of the test results.

NOTE: Never do the contact resistance test before doing the instantaneous primary injection testing. The primary injection testing will ensure the contacts are clear of resistive films, oxidation and foreign material.

The following tests are intended to verify that a circuit breaker is operating properly. Precisely controlled factory testing conditions are used to establish the characteristic trip curves. If field test results fall outside the characteristic trip curve tolerance band, carefully evaluate the test conditions and methods for accuracy.

When questionable conditions or results are observed during inspection and performance tests, consult your local field sales office. Circuit breakers with accessories or factory modifications may require special investigation. If it is necessary to return a circuit breaker to the manufacturing facility, use proper packaging and packing materials to avoid shipping damage.

Field Testing Special 500 Vdc Circuit Breakers

Square D UL® Listed 500 Vdc circuit breakers are designed, manufactured and calibrated for use on ungrounded uninterruptable power supplies (UPS). The maximum nominal (loaded) voltage is 500 Vdc and the maximum floating (unloaded) voltage is 600 Vdc.

These circuit breakers are UL Listed when applied with all three poles connected in series as shown on the label of the circuit breaker. The series connection is customer provided and external to the circuit breaker.

Square D UL Listed 500 Vdc circuit breakers are special circuit breakers for dc applications only and must be tested using dc current.

- Select the correct time-current trip curve. The trip curves show both the thermal and magnetic trip ranges of the circuit breakers.

- Use a dc power supply to test the circuit breakers as follows:

Circuit Breaker	Time Constant ²
≤ 400 A dc	≤ 20 ms
450–2500 A dc	≤ 25 ms
dc ripple constant ≤ 1% rms.	

- Make sure ambient temperature and circuit breaker temperature is 25°C ± 3 degrees.
- Remove the circuit breaker from the enclosure. If removing the circuit breaker is not practical, test the circuit breaker in the end-use equipment. If the test results fall outside of the trip curve tolerance, remove the circuit breaker from the enclosure and retest.
- Use correctly sized cable (per National Electrical Code® [NEC®] tables) with a minimum of four feet (1.22 m) of cable per connection.
- Connect dc power supply to circuit breaker with all poles connected in series as shown on the circuit breaker label.
- Make sure connections to circuit breaker are properly torqued.
- Apply dc test current to trip the circuit breaker. The tripping mechanism in the circuit breaker reacts to the magnetic fields created by the current flowing through the circuit breaker. Apply a dc test current to the circuit breaker of approximately 70% of the expected value. If the circuit breaker does not trip, increase the test current on successive trials until it does trip. When the circuit breaker trips
 1. Reset and close the circuit breaker.
 2. Reapply the dc test current to trip the circuit breaker again.
 3. Record the current and compare to the trip curve.

Field Testing AC Thermal-Magnetic Circuit Breakers

Recommended steps to accurately field test circuit breakers (see test procedures in this manual for specific information):

- Use correct test equipment.
- Make sure ambient temperature and circuit breaker temperature is 25°C ± 3 degrees.
- Remove the circuit breaker from the enclosure. If removing the circuit breaker is not practical, test the circuit breaker in the end-use equipment. If the test results fall outside of the trip curve tolerance, remove the circuit breaker from the enclosure and retest.
- Use correctly sized cable (per NEC tables) with a minimum of four feet (1.22 m) of cable per connection.
- Test each pole individually.
- Make sure connections to circuit breaker are properly torqued.
- Test circuit breaker and record findings. The tripping mechanisms in the circuit breaker react to the magnetic fields created by the current flowing through the circuit breaker. When current flow is near the trip point of the circuit breaker, the magnetic fields can cause false tripping due to vibration. Do the following steps to minimize the effects of false tripping:
 1. After each current pulse or when circuit breaker trips, reset and turn the circuit breaker on.
 2. Reapply the test current to trip the circuit breaker again.
 3. Record the current and compare to the trip curve.

2. Time constant is defined by UL 489 as "The time constant of the circuit is the time measured on the oscillogram where the current is 63.2 percent of the prospective current."

Performance Tests

Insulation Resistance Test

Severe environmental conditions can reduce the dielectric strength of molded case circuit breakers. Check insulation resistance during electrical system testing.

NOTICE

HAZARD OF EQUIPMENT DAMAGE

Do not apply test voltage to control circuits or accessory terminals; damage to electronic and/or low-voltage components can result.

Failure to follow these instructions can result in equipment damage.

To check the insulation resistance, perform the following steps:

1. De-energize and isolate the circuit breaker.
2. Clean the circuit breaker as described earlier.
3. Using a megohmmeter with a capacity of 500–1000 Vdc, apply voltage from:
 - a. Each phase-to-ground with the circuit breaker on (circuit breaker contacts closed).
 - b. Phase-to-phase with the circuit breaker on (circuit breaker contacts closed).
 - c. Between each line and load terminal with the circuit breaker off (circuit breaker contacts open).
4. Record resistance values. Resistance values of less than one megohm (1,000,000 ohm) should be investigated.

Thermal-Magnetic Circuit Breaker Performance Tests

⚠️ DANGER

HAZARD OF ELECTRIC SHOCK, EXPLOSION, OR ARC FLASH

- Apply appropriate personal protective equipment (PPE) and follow safe electrical work practices. See NFPA 70E or CSA Z462.
- This equipment must be installed and serviced by qualified electrical personnel.
- Turn off all power supplying this equipment before working on or inside equipment.
- Always use a properly rated voltage sensing device to confirm power is off.
- Replace all devices, doors and covers before turning on power to this equipment.

Failure to follow these instructions will result in death or serious injury.

Inverse-Time Overcurrent Trip Test

1. Completely de-energize and remove the circuit breaker from service. Conduct the following tests at 300% of the circuit breaker ampere rating to verify the performance of the thermal tripping element on thermal-magnetic circuit breakers using a high-current, low-voltage ac power supply of less than 24 V.
2. Test in open air at 25°C (77°F) ambient temperature.

3. Trip times are measured from a “cold start.” A cold start, as defined by Underwriters Laboratories Inc. Standard 489 occurs at $25^{\circ}\text{C} \pm 3^{\circ}$ ($77^{\circ}\text{F} \pm 5^{\circ}$). Therefore, before beginning overcurrent testing, the circuit breaker must be in 25°C (77°F) ambient temperature long enough for all parts to reach that temperature. Circuit breakers that have been in higher ambient temperatures may take two to four hours to reach the steady state temperatures mentioned above.
4. Connect the circuit breaker to a power supply by using a minimum of four feet (1.2 m) of cable on each connection. Size the cable according to the ampere rating of the tested circuit breaker. Refer to the National Electrical Code Table 310-16; use the 75°C column for proper conductor sizing. Improperly sized cable will affect test results.
5. Test each pole of the circuit breaker individually at 300% of rated current using a high-current, low-voltage ac power supply.
6. Record and compare the trip test values to those in *Inverse-Time Overcurrent Trip Test*, page 16. As long as the recorded trip times are below the maximum trip times, the circuit breaker is providing acceptable thermal protection.

If verification of the manufacturer’s data is required, compare the trip times to the 300% trip range shown on the trip curve for the specific circuit breaker. If field test results fall outside the characteristic trip curve tolerance band, the test conditions and methods should be carefully evaluated for accuracy. A small error in test current results in a large error in trip time.

Table 2 - Inverse-Time Overcurrent Trip Test³

Rated Continuous Current	Maximum Trip Time	
	240 V	480 V / 600V
0–30 A	60 sec.	
31–50 A	80 sec.	100 sec.
51–100 A	140 sec.	160 sec.
101–150 A	200 sec.	250 sec.
151–225 A	230 sec.	275 sec.
226–400 A	300 sec.	350 sec.
401–600 A		450 sec.
601–800 A		500 sec.
801–1000 A		600 sec.
1001–1200 A		700 sec.
1201–1600 A		775 sec.
1601–2000 A		800 sec.
2001–2500 A		850 sec.
2501–5000 A		900 sec.

Instantaneous (Magnetic) Trip Test

This test simulates short-circuit conditions using a low-voltage test supply. To keep stray magnetic fields from affecting test results, test cables exiting the circuit breaker must be parallel with the current path of the circuit breaker for a minimum of 10 in (254 mm). Test results can also be influenced by the wave shape of the supply current. Use a power source with true sinusoidal output and a true RMS or analog ammeter to ensure accurate results. To verify the performance of the instantaneous (magnetic) trip element, proceed as follows:

NOTE: Test PA and PH circuit breakers with the circuit breaker mounted on a terminal pad kit (catalog number PALTB). PC circuit breakers should be tested with the circuit breaker mounted on the terminal pad kit provided with the circuit breaker.

3. For thermal-magnetic circuit breakers (at 300% of circuit breaker ampere rating). Derived from table 5-3, NEMA Standard AB 4-1996.

Test NA and NC circuit breakers in the end-use equipment or lying flat on a piece of 1/8 in. (3 mm) thick steel.

1. Set the circuit breaker instantaneous (magnetic) trip adjustment, if provided, to the high setting. Tests conducted at the high setting ensure instantaneous trip protection exists at all lower settings.
2. Connect the circuit breaker to the low-voltage test source with any convenient length of conductor.
3. Test each pole individually by the pulse method as follows:

The pulse method requires that the test equipment have a controlled closing and a pointer-stop ammeter, a calibrated image-retaining oscilloscope, or a high-speed, sampling-rate digital ammeter. The pulse method involves the following steps:

- a. Connect one pole of the test circuit breaker to the test equipment.
 - b. Set the current control of the test equipment to a value approximately 70% of the instantaneous trip current setting.
Example: If the instantaneous (magnetic) trip setting is 2000 A, set the test equipment to 1400 A.
 - c. After the circuit breaker is properly connected and adjusted, apply current in approximately 10-cycle pulses.
 - d. Starting at 70% of the instantaneous trip setting, increase the current of each pulse until the circuit breaker trips. After each pulse, move the circuit breaker handle to the full reset position and then to the on position.
 - e. Repeat step D to recheck and verify this value. Start with the current level below the value measured in step D to ensure a “no trip” on the initial pulse.
4. Record current level and trip time. To ensure protection of the rated conductor, the current necessary to trip the circuit breaker instantaneously must not exceed 140% of the high setting for circuit breakers 250 A frame size and below, and 125% of the high setting for circuit breakers 400 A frame size and above. These settings are printed on the faceplate label of the circuit breaker. If currents higher than these maximum levels are necessary to trip the circuit breaker, consult your local field sales office.

If field test results fall outside the characteristic trip curve tolerance band, the test conditions and methods must be carefully evaluated for accuracy.

Rated Current Hold-In Test

This test should be performed only on circuit breakers that have been nuisance tripping under normal conditions.

Conduct the test in a 25°C (77°F) ambient temperature using a high-current, low-voltage ac power supply. Follow the same procedure used in the Inverse-time Overcurrent Trip Test, Item 1, page 15 through Item 3, page 16. Connect all poles of the circuit breaker in series using cables with the appropriate ampacity for the application. These cables should be 4 ft. (1.22 m) long per terminal (8 ft. [2.43 m] total between poles). All connectors must be properly torqued according to the circuit breaker label specifications.

The circuit breaker should not trip when 100% of the device's rated current is applied for one hour for circuit breakers rated less than 100 A, or two hours for circuit breakers rated more than 100 A. If the circuit breaker trips, reset and move the handle from the off to on position several times while under load, then repeat the test. If the tripping condition continues, contact your local field sales office.

Contact Resistance Test

Circuit breaker pole resistance tests are not reliable indicators of circuit breaker performance because the resistance values are influenced by a number of transient factors including contact surface oxidation, foreign material between the contacts, and testing methods. NEMA AB 4 paragraph 6.4.1 states: “The millivolt drop of a circuit breaker pole can vary significantly due to inherent variability in the extreme low resistance of the electrical contacts and connectors. Such variations do not necessarily predict unacceptable performance and shall not be used as the sole criteria for determination of acceptability.”

High pole resistance may also be caused by eroded contacts, low contact force, and loose termination. The only one of these factors likely to be present on a new circuit breaker is a loose termination, since the contacts are new and there has been no opportunity for contact pressure to have drifted from the factory setting. A loose termination can be corrected in the field.

If a contact resistance test is done, it is important to do it after the contacts have been conditioned by instantaneous primary injection testing to ensure the contacts are clear of resistive films, oxidation and foreign material. If the circuit breaker has been in service with no performance issues, (overheating or nuisance tripping), contact resistance measurements are redundant and of little value.

Square D recommends that a DLRO (Digital Low Resistance Ohmmeter) be used, using a 10 A dc test current for circuit breaker ratings below 100 A, and using 100 A dc for circuit breakers rated 100 A and above. the median (middle) value of three readings (toggling the circuit breaker between each reading) should be recorded for each pole tested. If this value is equal to or less than the value listed in *Maximum Micro-Ohms Per Pole*, page 18, the pole is acceptable. If the reading is higher, the cause should be investigated and corrected if possible. Contact your local field office for more information.

Table 3 - Maximum Micro-Ohms Per Pole

Circuit Breaker		Micro-Ohms (u ohm)	Circuit Breaker		Micro-Ohms (u ohm)	Circuit Breaker		Micro-Ohms (u ohm)	Circuit Breaker		Micro-Ohms (u ohm)
Type	Rating		Type	Rating		Type	Rating		Type	Rating	
FA, FH, FC	15	38,400	KA, KH	70	3,420	MA, MH	125	1,970	LD, LG, LJ, LL, LR	250	630
	20	23,100		80	2,620		175	1,120		400	240
	25	14,800		90	2,390		200	890		600	160
	30	10,400		100	1,930		225	730	NSF, CG, CJ	16	35,000
	35	7,860		110	1,620		250	600		25	14,000
	40	6,010		125	1,250		300	425		32	7,000
	45	5,180		150	890		350	322		40	6,000
	50	4,190		175	680		400	246		50	4,000
	60	2,910		200	540		500	180		63	2,800
	70	2,340		225	430		600	140		80	1,700
	80	1,790		250	350		700	115		100	1,100
90	1,430	KC, KI	110	1,620	800	96	NSJ	400	240		
100	1,160		125	1,250	900	83		600	140		
FD, FG, FJ	15		34,700	150	890	1000	67	MG, MJ	300	780	
	20	19,500	KC, KI	175	680	15	35,000		350	570	
	25	12,500		200	540	20	23,000		400	440	
	30	9,550		225	430	25	14,000		450	350	
	35	7,020		250	350	30	10,400		500	280	
	40	6,800		LA, LH	125	1,500	35		7,860	600	190
	45	5,780	150		1,200	40	6,010		700	140	
	50	5,000	175		980	45	5,180		800	110	
	60	4,120	200		770	50	4,190	NA, NC	600	138	
	70	3,510	225		610	60	2,910		700	131	
	80	3,170	250		510	70	2,340		800	105	
	90	2,510	300		480	80	1,790		900	100	
	100	2,260	350	330	90	1,430	1000		82		
	110	2,060	400	310	100	1,200	1200		69		
	125	1,800	LI, LC	300	589	110	1,160	PA, PH, PC	600	132	

Table 3 - Maximum Micro-Ohms Per Pole (Continued)

Circuit Breaker		Micro-Ohms (u ohm)	Circuit Breaker		Micro-Ohms (u ohm)	Circuit Breaker		Micro-Ohms (u ohm)	Circuit Breaker		Micro-Ohms (u ohm)	
Type	Rating		Type	Rating		Type	Rating		Type	Rating		
FI	20	26,200		350	513		125	1,100		700	123	
	25	17,700		400	308		150	1,020		800	100	
	30	12,300		450	310		JD, JG, JJ, JL, JR	150		890	1000	77
	35	9,070		500	286			175		680	1200	66
	40	7,330		600	209			200		600	1400	61
	45	5,790					225	525		1600	50	
	50	4,930				250	450	1800	43			
	60	3,420						2000	38			
	70	3,020						2500	33			
	80	2,310						NSF, CG, CJ	16	35,000		
	90	1,980										
	100	1,600										

Remove Test Connections

Upon completing testing:

- Remove test connections from circuit breaker.
- Inspect connections for damage caused by testing.

Additional Information

For more information concerning Square D circuit breakers, refer to the appropriate instruction manual. These manuals contain installation instructions, mounting information, safety features, wiring diagrams, and troubleshooting charts for specific circuit breakers.

Section 4—Performance Tests for PowerPacT Circuit Breakers

These tests check the performance of PowerPacT electronic trip circuit breakers.

Performance Tests

DANGER

HAZARD OF ELECTRIC SHOCK, EXPLOSION, OR ARC FLASH

- Apply appropriate personal protective equipment (PPE) and follow safe electrical work practices. See NFPA 70E or CSA Z462.
- This equipment must be installed and serviced by qualified electrical personnel.
- Turn off all power supplying this equipment before working on or inside equipment.
- Always use a properly rated voltage sensing device to confirm power is off.
- Replace all devices, doors and covers before turning on power to this equipment.
- Do not touch the circuit breaker terminals or the test leads while the circuit breaker is being tested.

Failure to follow these instructions will result in death or serious injury.

Do the performance tests in the order given to maximize the accuracy of the test results.

NOTE: Never do the contact resistance test before doing the instantaneous primary injection testing. The primary injection testing will ensure the contacts are clear of resistive films, oxidation and foreign material.

The following tests are intended to verify that a circuit breaker is operating properly. Precisely controlled factory testing conditions are used to establish the characteristic trip curves. If field test results fall outside the characteristic trip curve tolerance band, carefully evaluate the test conditions and methods for accuracy.

When questionable conditions or results are observed during inspection and performance tests, consult your local field sales office. Circuit breakers with accessories or factory modifications may require special investigation. If it is necessary to return a circuit breaker to the manufacturing facility, use proper packaging and packing materials to avoid shipping damage.

Insulation Resistance Test (Dielectric Testing)

NOTICE

HAZARD OF EQUIPMENT DAMAGE

- Insulation resistance testing (dielectric tests) may damage MicroLogic 5.0/6.0P or 5.0/6.0H trip units.
- Remove rating plug from trip unit prior to testing.
- Replace trip unit if rating plug was not removed during tests or if trip unit was exposed to more than 700 Vac.

Failure to follow these instructions can result in equipment damage.

Severe environmental conditions can reduce the dielectric strength of molded case circuit breakers. Check insulation resistance during electrical system testing. To check the insulation resistance, perform the following steps:

1. De-energize and isolate the circuit breaker.
2. Clean the circuit breaker as described earlier.
3. Using a megohmmeter with a capacity of 500 -1000 Vdc, apply voltage from:
 - a. Each phase-to-ground with the circuit breaker on (circuit breaker contacts closed).
 - b. Phase-to-phase with the circuit breaker on (circuit breaker contacts closed).
 - c. Between each line and load terminal with the circuit breaker off (circuit breaker contacts open).
4. Record resistance values. Resistance values of less than one megohm (1,000,000 ohm) should be investigated.

NOTE: 5.2E 5.3E, 6.2E, 6.3E MicroLogic trip units have some normal leakage due to internal circuits for metering. When testing systems with more than 10 circuit breakers with these trip units, it may be necessary to open some of the circuit breakers at a time to make sure all breakers and equipment is sound and insulation resistance is within acceptable limits.

MicroLogic Trip Unit Checks

Circuit breakers with MicroLogic trip units can have their trip unit operation tested with secondary injection testing using the one of the available test kits. (See Section 6—Available Test Equipment, page 41 for available test kits by circuit breaker.)

Secondary injection testing does not test the current transformers and connections. Primary injection testing can be used to ensure that all trip system connections have been correctly made.

If the circuit breaker is tested by the primary injection method, the PowerLogic™ system can remain connected to the circuit breaker during testing without affecting the results.

NOTE: Testing a circuit breaker connected to a PowerLogic system causes the PowerLogic system to react as if the circuit breaker were experiencing the actual faults.

Procedure to Defeat Zone-Selective Interlocking

Zone-selective interlocking (ZSI) is a method of communication between electronic-trip overcurrent protective devices. ZSI allows interlocked devices at different levels to work together as a system in which a short circuit or ground fault is isolated and cleared with minimum time delay. The purpose of defeating ZSI is to verify the characteristics of the specific circuit breaker short-time and ground-fault trip delay functions.

Secondary Injection

Field installation of a trip unit requires secondary injection testing with a Full-Function Test Kit for PowerPacT P- and R-frame circuit breakers and a UTA for PowerPacT H-, J-, and L-frame circuit breakers. This will ensure that the newly-installed trip unit is functioning properly. The test will require opening and closing the circuit breaker. Follow the procedures outlined in the instruction bulletins shipped with the circuit breaker and the Full-function Test Kit.

1. Make sure the circuit breaker is isolated from all upstream and downstream devices.
2. Perform secondary injection testing as outlined in the instruction bulletin shipped with the full-function test kit or UTA. Verify that all applicable trip unit functions are operating properly.
3. Repeat step 2 with the circuit breaker in the open position.

NOTE: The test kit states that the circuit breaker should be closed when performing the test. Do not close the circuit breaker for this step.

4. If any test fails, do not put the circuit breaker into service and contact the local sales office for factory authorization service.

Primary Injection Testing

Primary injection testing can be used to ensure that all trip system connections have been correctly made.

NOTE: Secondary injection testing continues to be the Schneider Electric preferred method for testing circuit breakers. Improper primary injection testing can cause damage to the circuit breakers. Failure to conduct primary injection testing in the proper manner could result in circuit breakers passing testing, while ultimately damaging the integrity of the circuit breaker long term.

NOTICE

HAZARD OF EQUIPMENT DAMAGE

Make connection to the circuit breaker carefully using rated cable and appropriate connection methods. Do not use clamps or other methods that can score or otherwise damage the finish of the connectors.

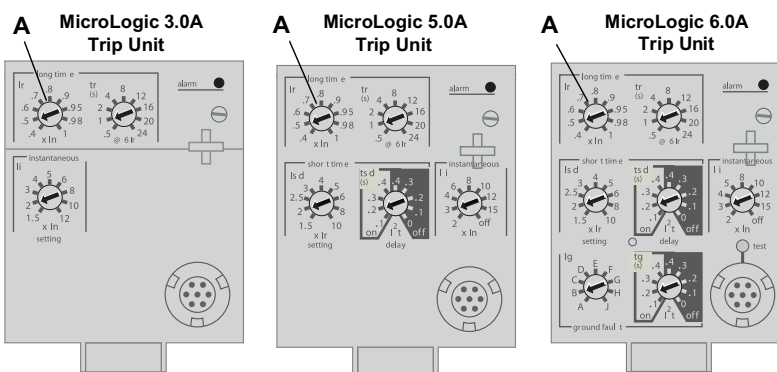
Failure to follow these instructions can result in equipment damage.

1. If performing primary injection testing on fixed circuit breakers, connect circuit breaker to power supply using rated cable and appropriate connection method.
2. Record each of the original trip unit switch settings. (Settings must be reset after testing is complete.)

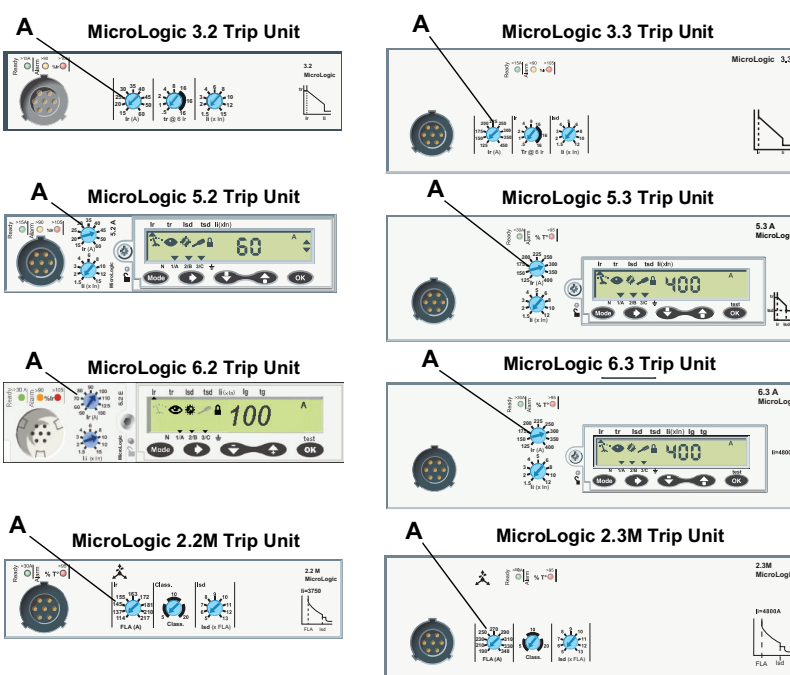
3. Set the long-time pickup (I_r) switch (A) to the minimum setting.

Figure 1 - Long-Time Pickup (I_r)

PowerPacT P- and R-Frame



PowerPacT H-, J- and L-Frame



- For ground-fault and/or zone-selective interlocked trip units, use the test kit to inhibit ground-fault and zone-selective interlocking functions.
- If an auxiliary power supply is being used for the MicroLogic trip unit, disconnect the auxiliary power supply.
- Find the primary injection current needed by multiplying the long-time pickup current (long-time pickup setting $I_r \times$ sensor plug I_n) \times 125% (i.e. $I_r \times I_n \times 1.25$).
- Inject primary current into A-phase and monitor the overload indicator light. Verify that the overload indicator light (A) lights between 105% and 120% of the $I_r \times I_n$ value.

NOTE: On H-, J-, and L-frame circuit breakers LED:

The green “Ready” LED (B) blinks slowly when the electronic trip unit is ready to provide protection. It indicates the trip unit is operating correctly.

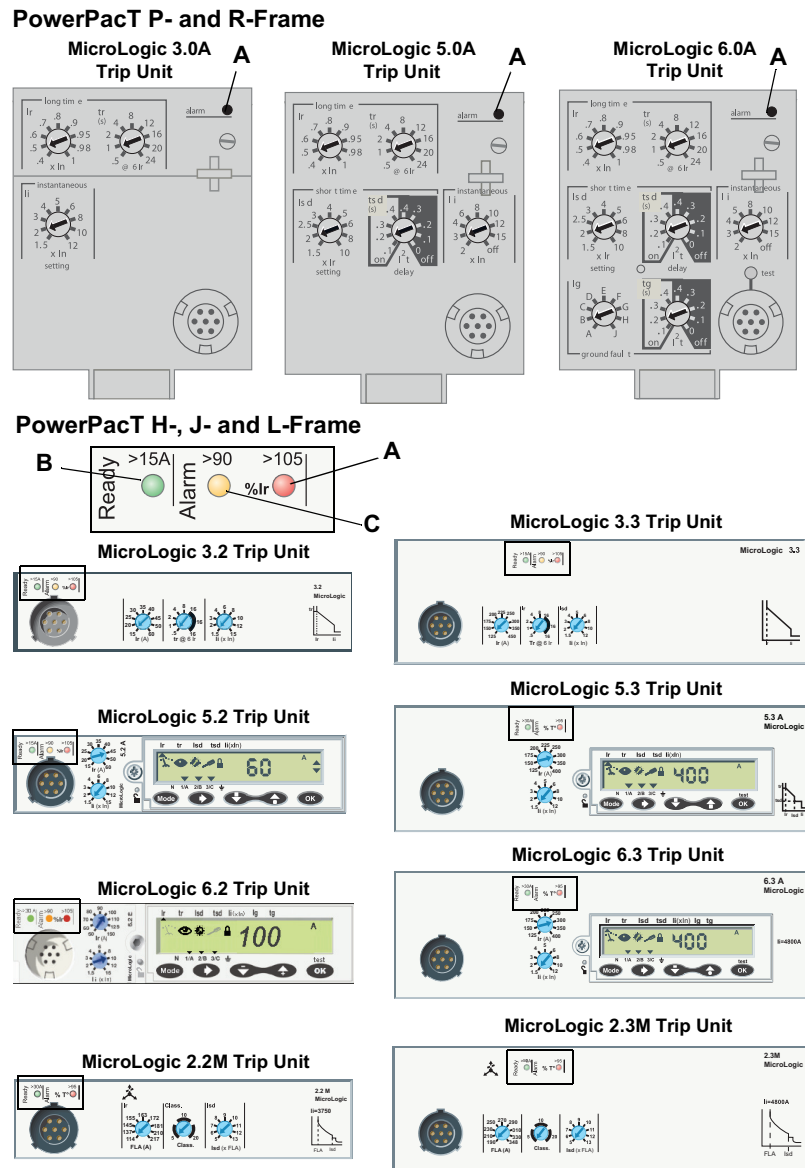
Orange overload pre-alarm LED (C): steady on when $I > 90\%$ I_r

Red overload LED (A): steady on when $I > 105\%$ I_r

- Repeat for all phases and neutral (if applicable).

- f. If overload indicator light does not light correctly, check all trip unit connections and test setup. If unit still fails primary injection testing, contact the local sales office.

Figure 2 - Overload Indicator Light



Circuit Breakers with Integral Ground Fault Protection

MicroLogic electronic-trip circuit breakers with the integral ground-fault protection function require special attention when testing overload and short-circuit functions. The single-pole primary injection tests for the inverse-time overcurrent, short-time and instantaneous functions will cause ground-fault trips due to the return current path not going through the circuit breaker. To overcome this difficulty, use the Hand-Held, Full-Function, or UTA Test Kit to defeat the ground-fault function on PowerPacT circuit breakers equipped with MicroLogic trip units.

Ground-Fault Protection and Indication Only Tests for Radial Systems

⚠️ DANGER

HAZARD OF ELECTRIC SHOCK, EXPLOSION, OR ARC FLASH

- Apply appropriate personal protective equipment (PPE) and follow safe electrical work practices. See NFPA 70E or CSA Z462.
- This equipment must be installed and serviced by qualified electrical personnel.
- Turn off all power supplying this equipment before working on or inside equipment.
- Always use a properly rated voltage sensing device to confirm power is off.
- Replace all devices, doors and covers before turning on power to this equipment.

Failure to follow these instructions will result in death or serious injury.

Ground-Fault Trip Test

The ground-fault function of a MicroLogic electronic-trip circuit breaker provides ground-fault protection for equipment with adjustable pickup and delay values. The ground-fault delay feature determines how long the circuit breaker waits before initiating a trip signal during a ground fault. Performance of the ground-fault functions of the circuit breaker can be tested using a high-current, low-voltage ac power supply.

Test Procedure

1. Completely de-energize and remove the circuit breaker from service.
2. Before testing, record pickup and delay setting for all functions. Reset the trip unit to these same settings after the test procedure is completed.
3. If testing a circuit breaker that is equipped with zone-selective interlocking, follow the procedure to defeat zone-selective interlocking on [Procedure to Defeat Zone-Selective Interlocking](#), page 34. If you are using a secondary injection test kit for these tests, carefully read and follow the test kit instructions about zone-selective interlocking.

NOTE: Failure to defeat zone-selective interlocking will result in trip time inaccuracy.

4. Use these settings for the test:

Long-time Pickup/Ampere Rating = Max.

Long-time/Overload Delay = Max

Short-time/Short-circuit Delay = Max. (I²t IN or ON)

Instantaneous = Max.

Ground-fault Pickup = Min.

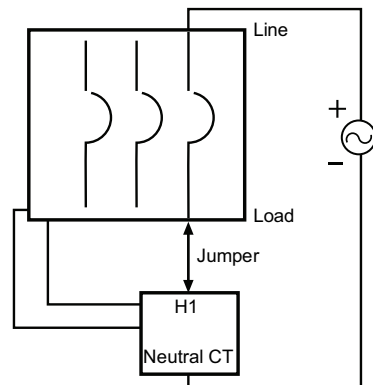
Ground-fault Delay = 0.2

5. Follow the hookup procedure appropriate to the test application.
For circuit breakers without a neutral current transformer, go to step 8.

For circuit breakers with the integral ground-fault function in a three-phase, four-wire system, an externally-mounted neutral current transformer (CT) must be used. The neutral CT is connected to the circuit breaker by a shielded cable (14 AWG [2.1 mm²] wire is recommended).

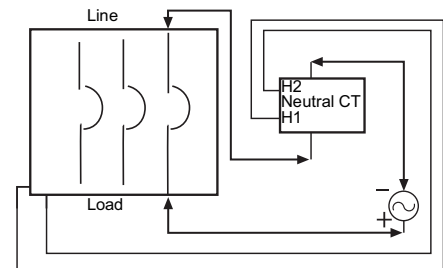
NOTE: When testing, disconnect or turn off 24 Vdc control power to F1 and F2, if equipped and disconnect the Hand-Held or Full-Function Test Kit from the trip unit, if connected.

Figure 3 - Test Hookup Diagram for Neutral CT Phasing Test



See circuit breaker instructions bulletin for connections to circuit breaker and neutral CT.

Figure 4 - Test Hookup Diagram for Neutral CT Size Test



See circuit breaker instructions bulletin for connections to circuit breaker and neutral CT.

6. Verify correct phasing of the neutral CT (three-phase, four-wire systems) by performing a No Trip Test as follows:
- Connect the circuit breaker and neutral CT as shown in Test Hookup Diagram for Neutral CT Phasing Test, page 26. The jumper must go from the load connection on the circuit breaker to the H1 connection on the neutral CT (or the side of the neutral CT that has the red dot). Connect the secondary of the neutral CT according to the circuit breaker instruction manual or the neutral CT instructions.
 - Apply current above the ground-fault pickup level and maintain longer than the ground-fault delay.
 - The circuit breaker must not trip. No trip indicates that both the phase CT and neutral CT are phased properly.

7.

Figure 5 - Test Hookup Diagram for Circuit Breaker Without Neutral CT

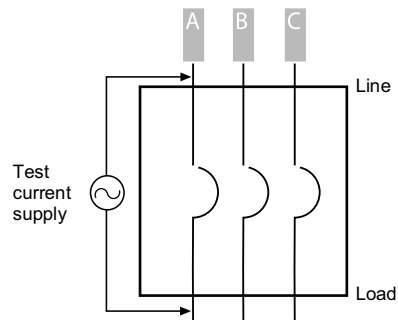
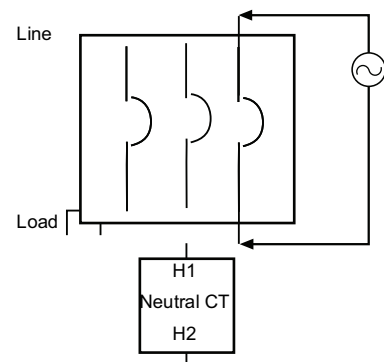


Figure 6 - Test Hookup Diagram for Ground-Fault Pickup and Delay Test



Verify the correct size of the neutral CT (three-phase, four-wire systems) by performing a Trip Test as follows:

- a. Connect the circuit breaker and neutral CT as shown in Test Hookup Diagram for Neutral CT Size Test, page 26. Connect the polarity (+) terminal of the high current injection unit to the load side of the circuit breaker. The jumper must go from the line connection on the circuit breaker to the H1 connection on the neutral CT (or the side of the neutral CT that has the red dot). Connect the non-polarity (-) terminal of the high current injection unit to H2 on the neutral CT (on the line side of the circuit breaker). Connect the secondary of the neutral CT according to the circuit breaker instruction manual or the neutral CT instructions.
 - b. Apply current.
 - c. The circuit breaker must trip at half the value of the ground-fault pickup. Tripping indicates that both the phase CT and neutral CT have the same turns ratio (same size).
8. Test ground fault pickup and delay by performing a trip test as follows:
- a. Connect the circuit breaker as shown in Test Hookup Diagram for Circuit Breaker Without Neutral CT, page 27, (three-phase, three-wire systems) or Test Hookup Diagram for Ground-Fault Pickup and Delay Test, page 27 (three-phase, four-wire systems).

NOTE: The recommended method of testing ground-fault pickup and delay is the “pulse” method. This method will be the most accurate, but requires that the test equipment have a calibrated image-retaining oscilloscope or high-speed sampling rate digital ammeter. An accurate timer is needed to monitor delay time.
 - b. After the circuit is properly connected and closed, apply current in short pulses of 10-cycle duration. Starting at 70% of the expected trip value, increase the current on each succeeding pulse until the circuit breaker trips.
 - c. Reclose the circuit breaker and reduce the current level; pulse again to determine if the pickup level found was overshoot.
 - d. Repeat steps b and c to further isolate the pickup point.
 - e. To determine delay time, test each pole of the circuit breaker individually at 150% of the ground-fault pickup setting. Monitor the time from this pickup point until the circuit breaker trips to obtain the delay time.
 - f. Record pickup and delay values and compare the results to the trip curve.

The ground-fault test can also be done using secondary injection testing using the Full-Function Test Kit. Secondary injection testing does not test the current transformers and connections.

Contact Resistance Test

Circuit breaker pole resistance tests are not reliable indicators of circuit breaker performance because the resistance values are influenced by a number of transient factors including contact surface oxidation, foreign material between the contacts, and testing methods. NEMA AB 4 paragraph 6.4.1 states: “The millivolt drop of a circuit breaker pole can vary significantly due to inherent variability in the extreme low resistance of the electrical contacts and connectors. Such variations do not necessarily predict unacceptable performance and shall not be used as the sole criteria for determination of acceptability.”

High pole resistance may also be caused by eroded contacts, low contact force, and loose termination. The only one of these factors likely to be present on a new circuit breaker is a loose termination, since the contacts are new and there has been no opportunity for contact pressure to have drifted from the factory setting. A loose termination can be corrected in the field.

If a contact resistance test is done, it is important to do it after the contacts have been conditioned by instantaneous primary injection testing to ensure the contacts are clear of resistive films, oxidation and foreign material. If the circuit breaker has been in service with no performance issues, (overheating or nuisance tripping), contact resistance measurements are redundant and of little value.

Square D recommends that a DLRO (Digital Low Resistance Ohmmeter) be used, using a 10 A dc test current for circuit breaker ratings below 100 A, and using 100 A dc for circuit breakers rated 100 A and above. the median (middle) value of three readings (toggling the circuit breaker between each reading) should be recorded for each pole tested. If this value is equal to or less than the value listed in *Maximum Micro-Ohms Per Pole*, page 28, the pole is acceptable. If the reading is higher, the cause should be investigated and corrected if possible. Contact your local field office for more information.

Table 4 - Maximum Micro-Ohms Per Pole

PowerPacT		Micro-Ohms (u ohm)
Type	Rating	
HD, HG, HJ, HL, HR	60	1,500
	100	1,200
	150	600
JD, JG, JJ, JL, JR	250	450
LD, LG, LJ, LL, LR	250	630
	400	240
	600	160
DG, DJ, DL	400	240
	600	140
PG, PJ, PK, PL	250	488
	400	200
	600	114
	800	78
	1000	55
	1200	39
RG, RJ, RK, RL	600	106
	800	81
	1000	63
	1200	53
	1600	50
	2000	38
	2500	33

Remove Test Connections

Upon completing testing:

- Remove test connections from circuit breaker.
- Inspect connections for damage caused by testing.
- Reset the long-time pickup switch to original settings, as recorded in above.
- If an auxiliary power supply is being used for the MicroLogic trip unit, reconnect the auxiliary power supply.

Additional Information

For more information concerning Square D Circuit breakers, refer to the appropriate instruction manual. These manuals contain installation instructions, mounting information, safety features, wiring diagrams, and troubleshooting charts for specific circuit breakers.

Section 5—Performance Tests for Electronic Trip Legacy LE/LX, ME/MX, PE/PX, and SE Circuit Breaker

General Circuit Breaker Performance Tests

DANGER

HAZARD OF ELECTRIC SHOCK, EXPLOSION, OR ARC FLASH

- Apply appropriate personal protective equipment (PPE) and follow safe electrical work practices. See NFPA 70E or CSA Z462.
- This equipment must be installed and serviced by qualified electrical personnel.
- Turn off all power supplying this equipment before working on or inside equipment.
- Always use a properly rated voltage sensing device to confirm power is off.
- Replace all devices, doors and covers before turning on power to this equipment.
- Do not touch the circuit breaker terminals or the test leads while the circuit breaker is being tested.

Failure to follow these instructions will result in death or serious injury.

Do the performance tests in the order given to maximize the accuracy of the test results.

NOTE: Never do the contact resistance test before doing the instantaneous primary injection testing. The primary injection testing will ensure the contacts are clear of resistive films, oxidation and foreign material.

The following tests are intended to verify that a circuit breaker is operating properly. Precisely controlled factory testing conditions are used to establish the characteristic trip curves. If field test results fall outside the characteristic trip curve tolerance band, carefully evaluate the test conditions and methods for accuracy.

When questionable conditions or results are observed during inspection and performance tests, consult your local field sales office. Circuit breakers with accessories or factory modifications may require special investigation. If it is necessary to return a circuit breaker to the manufacturing facility, use proper packaging and packing materials to avoid shipping damage. Repacking instructions are contained in the circuit breaker instruction manual.

NOTICE

HAZARD OF EQUIPMENT DAMAGE

Do not apply test voltage to control circuits or accessory terminals; damage to electronic and/or low-voltage components can result.

Failure to follow these instructions can result in equipment damage.

Insulation Resistance Test

Severe environmental conditions can reduce the dielectric strength of molded case circuit breakers. Check insulation resistance during electrical system testing.

To check the insulation resistance, perform the following steps:

1. De-energize the isolate the circuit breaker:
2. Clean the circuit breaker as described earlier.

3. Using a megohmmeter with a capacity of 500–1000 Vdc, apply voltage from:
 - a. Each phase-to-ground with the circuit breaker on (circuit breaker contacts closed).
 - b. Phase-to-phase with the circuit breaker on (circuit breaker contacts closed).
 - c. Between each line and load terminal with the circuit breaker off (circuit breaker contacts open).
4. Record resistance values. Resistance values of less than one megohm (1,000,000 ohm) should be investigated.

MicroLogic Electronic-Trip Circuit Breaker Tests

NOTICE

HAZARD OF EQUIPMENT DAMAGE

- Circuit breakers are heavy and can be damaged with improper handling. Use care when handling and transporting circuit breaker to test equipment.
- Make connection to the circuit breaker carefully using rated cable and appropriate connection methods. Do not use clamps or other methods that can score or otherwise damage the finish of the connectors.

Failure to follow these instructions can result in equipment damage.

Long-time Trip Test

The long-time ampere rating defines the maximum level of current the circuit breaker will carry continuously. MicroLogic electronic-trip circuit breakers pick up and begin timing when a phase current exceeds $110\% \pm 10\%$ of the ampere rating. The long-time delay feature permits variations of the circuit breaker inverse-time delay characteristic. This delay determines how long the circuit breaker will carry a sustained overcurrent before initiating a trip signal. Performance of the inverse-time overcurrent functions of the circuit breaker can be tested using a high-current, low-voltage ac power supply.

1. Completely de-energize and remove the circuit breaker from service.
2. Before testing, record pickup and delay settings for all functions. Important: reset the trip unit to these same settings after the test procedure is completed.
3. If the MicroLogic circuit breaker has the integral ground-fault protection function, see test procedures for circuit breakers with integral ground fault, *Circuit Breakers with Integral Ground Fault Protection*, page 34, before continuing with the test procedure.
4. Use the following settings for the test:
 - Long-time/Ampere Rating = Max
 - Long-time/Overload Delay = Min.
 - Short-time/Short Circuit = Max.
 - Short-time/Short Circuit Delay = Max. (I²t IN or ON)
 - Instantaneous = Max.

NOTE: Labeling and trip unit functions are specified by the circuit breaker series and catalog numbers. Series and catalog numbers are printed on the circuit breaker.
5. Connect the circuit breaker to a high-current, low-voltage ac power supply. Connect the circuit breaker to the test power source with any convenient length of adequately sized wiring.
6. Test all phases of the circuit breaker individually, or in pairs, for integral ground-fault equipped circuit breakers as required in the special test procedure on *Circuit Breakers with Integral Ground Fault Protection*, page 34.

7. Use the slow “run-up” test method to determine the pickup level. Slowly increase the current until the long-time pickup light glows steadily; this is defined as the pickup level.

NOTE: All MicroLogic electronic-trip circuit breakers are equipped with Long-time/Overload Memory or thermal imaging. The Long-time/Overload Memory can be reset by using the appropriate memory reset module. See the local field sales office for additional information of the memory reset modules and test kits. If the memory-reset module is not used, wait at least 15 minutes to allow the memory to clear and reset before proceeding with the tests.

8. To determine the delay time, set the current to 300% of the ampere rating value. Monitor the time from this pickup point until the circuit breaker trips; this is the delay time.
9. Record pickup and delay values and compare them to the appropriate trip curve.

The long-time trip test can also be done using the UTS3 secondary injection test kit. These secondary injection test sets do not test the current transformers and connections.

Short-Time Trip Test

The short-time pickup characteristic of a MicroLogic electronic-trip circuit breaker adjusts the level of current at which the short-time delay begins timing. Short-time pickup levels are multiples of sensor size times the rating plug multiplier. The short-time delay function determines how long the circuit breaker will wait before initiating a trip signal during a short circuit. Performance of the short-time functions of the circuit breaker can be tested using a high-current, low-voltage ac power supply.

1. If testing a circuit breaker that is equipped with zone-selective interlocking, follow the Procedure to Defeat Zone-Selective Interlocking on Procedure to Defeat Zone-Selective Interlocking, page 34. If you are using a secondary injection test kit for these tests, carefully read and follow the test kit instructions about zone-selective interlocking.

NOTE: Failure to defeat zone-selective interlocking will result in tripping with no intentional delay.

2. If the MicroLogic trip unit is equipped with the integral ground-fault protection function, see test procedures for circuit breaker with integral ground-fault, Circuit Breakers with Integral Ground Fault Protection, page 34, before continuing.
3. SE drawout circuit breakers with the integral ground-fault protection function require an adapter plug (catalog number SEPITK2) when completely removed from the cradle. The adapter plug makes the necessary jumper connections on the secondary circuit. These jumper connections are normally made when the circuit breaker is in the connected position. Follow the instructions provided with the plug to ensure proper application.
4. Use the following settings for the test:
 - Long-time Pickup/Ampere Rating - Max.
 - Long-time/Overload Delay = Max.
 - Short-time/Short-circuit Pickup = Min.
 - Short-time/Short-circuit Delay = Min.
 - Instantaneous = Max.

NOTE: For LE Series 1B, ME Series 3, 4, 5, 5A, 5B, NE Series 1, 2, 3, 3A, 3B, PE Series 4, 5, 6, 6A, 6B, and SE Series 2, 3, 3A, 3B trip units, the Min. Short-time/Short-circuit setting will be 0.1 I_{2t} OUT.

5. Connect the circuit breaker to the test source with any convenient length of conductor.
6. For non-ground-fault circuit breakers, test all poles of the circuit breaker individually. For circuit breakers with integral ground-fault, test each pole of the circuit breaker as noted in the special test procedure on Circuit Breakers with Integral Ground Fault Protection, page 34.

7. Short-Time Pickup Test

After the circuit breaker is properly connected, inject the phase under test with a current value just below the minimum pickup value indicated by the trip curve. Test current duration must exceed expected delay time (determined from the trip curve). The circuit breaker should not trip. Repeat the test using the maximum pickup value indicated by the trip curve. The circuit breaker should trip, indicating an acceptable pickup level. If the circuit breaker does not trip within the expected time, terminate the test to prevent thermal damage to the circuit breaker. If the precise pickup value is desired, repeat the test at current levels between the maximum and minimum. The lowest current value at which the circuit breaker trips is the pickup value.

8. Short-Time Delay test

After the circuit breaker is properly connected, apply 150% of the nominal short-time pickup value. The circuit breaker should trip within the time limits defined by the trip curve. If the circuit breaker does not trip within the expected time limits, disengage the power supply to prevent thermal damage to the circuit breaker.

NOTE: All MicroLogic electronic-trip circuit breakers are equipped with Long-Time/Overload Memory or thermal imaging. The overcurrent pulses used to test Short-time Pickup and Delay add to this memory. If the circuit breaker trips at a lower than expected current value after several overcurrent pulses, it may be tripping on the long-time function. The Longtime/Overload Memory can be reset using the appropriate memory reset module. If the memory reset module is not used, wait at least 15 minutes to allow the memory to clear and reset before proceeding with the tests.

The short-time trip test can also be done using the UTS3 secondary injection test kit. These secondary injection test sets do not test the current transformers and connections.

Instantaneous Trip Test

The instantaneous trip function of a MicroLogic electronic-trip circuit breaker determines the level of current at which the circuit breaker trips with no intentional delay. Performance of the instantaneous function of the circuit breaker can be tested using a high-current, low-voltage ac power supply.

1. If the MicroLogic circuit breaker is equipped with the integral ground-fault protection function, see test procedures for circuit breaker with integral ground-fault, *Circuit Breakers with Integral Ground Fault Protection*, page 34, before continuing.
2. For non-ground-fault circuit breakers, test all poles of the circuit breaker individually. For circuit breakers with the integral ground-fault function, test each pole of the circuit breaker as noted in the special test procedure on *Circuit Breakers with Integral Ground Fault Protection*, page 34.
3. After the circuit breaker is properly connected and adjusted, apply current in approximately 10-cycle pulses. Start at 70% of the expected trip value, increase the current in each succeeding pulse until the circuit breaker trips.

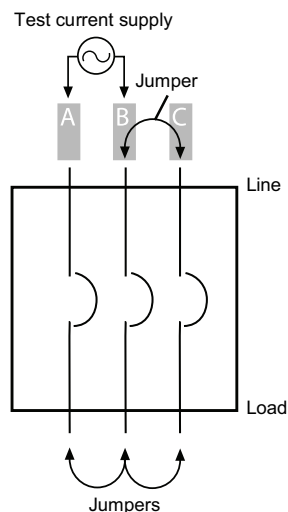
NOTE: All MicroLogic electronic-trip circuit breakers are equipped with Long-time/Overload Memory or thermal imaging. The overcurrent pulses used to test Short-time Pickup and Delay add to this memory. If the circuit breaker trips at a lower than expected current value after several Overcurrent pulses, it may be tripping on the long-time function. The Long-time/Overload Memory can be reset by using the appropriate memory reset module. If the memory reset module is not used, wait at least 15 minutes to allow the memory to clear and reset before proceeding with the tests.

4. Compare the pickup value to the trip curve for the tested circuit breaker.

The instantaneous trip test can also be done using the UTS-3 secondary injection test kit. These secondary injection test sets do not test the current transformers and connections.

Circuit Breakers with Integral Ground Fault Protection

Figure 7 - Special Overload and Short-circuit Test Procedures



MicroLogic electronic-trip circuit breakers with the integral ground-fault protection function require special attention when testing overload and short-circuit functions. The single-pole primary injection tests for the inverse-time overcurrent, short-time and instantaneous functions will cause ground-fault trips due to the return current path not going through the circuit breaker. To overcome this difficulty, use the looping method for MicroLogic circuit breakers with the integral ground-fault feature.

Looping Method:

Looping the current as shown in *Special Overload and Short-circuit Test Procedures*, page 34, balances the amount of current entering and leaving the circuit breaker. This, in effect, eliminates ground-fault trips by keeping the internal ground-fault transformer balanced. Verification of successive poles can be made by varying the connections (loop AC, AB, BC).

Exceptions:

For SE fixed-type circuit breakers, connect terminals 16, 17, 18 and 19 together to defeat ground fault for test purposes. For SE drawout circuit breakers, use the adapter plug SEPITK2 to make the necessary connections.

Procedure for Circuit Breakers Used with PowerLogic Systems

LE, ME, NE, PE and SE circuit breakers connected to a PowerLogic system are connected via a communications adapter (catalog number CIM3F). If the circuit breaker is tested by the primary injection method, the PowerLogic system can remain connected to the circuit breaker during testing without affecting the results.

NOTE: Testing a circuit breaker connected to a PowerLogic system causes the PowerLogic system to react as if the circuit breaker were experiencing the actual faults.

When performing secondary injection testing using the UTS3 test set, the PowerLogic system must be disconnected from the circuit breaker. This is done by disconnecting the 4-pin plug connection on the adapter. The test set will indicate testing failed if the PowerLogic system is left connected when testing. After testing, reconnect the 4-pin plug to the adapter. Follow the instructions for the version of the PowerLogic software that is installed on the system to verify that communication has been re-established with the circuit breaker.

Procedure to Defeat Zone-Selective Interlocking

Zone-selective interlocking is a method of communication between electronic-trip overcurrent protective devices. Zone-selective interlocking allows interlocked devices at different levels to work together as a system in which a short circuit or ground fault is isolated and cleared with minimum time delay. The purpose of defeating zone-selective interlocking is to verify the characteristics of the specific circuit breaker short-time and ground-fault trip delay functions. This is accomplished by disconnecting restraint wiring and installing jumpers as required. This self-restrains the circuit breaker being tested. Label any restraint wires before disconnecting.

Self-Restraint Settings, page 35 outlines self-restraint (jumper) instructions for each of the MicroLogic circuit breakers. Use wire size 14–18 AWG (1–2.1 mm).

Table 5 - Self-Restraint Settings

Circuit Breaker Type/Trip Unit Series	Function (ST or GF)	Connect Terminal (Restraint IN)	To Terminal (Restraint OUT)
LE 1B	Short-time	#5	#6
LE 1B	Ground-fault	#7	#8
ME 3	Both	Violet wire	Violet wire
ME 4, 5, 5A, 5B	Short-time	#5	#6
ME 4, 5, 5A, 5B	Ground-fault	#7	#8
NE 1	Both	#6	#7
NE 2, 3, 3A, 3B	Short-time	#5	#6
NE 2, 3, 3A, 3B	Ground-fault	#7	#8
PE 4	Both	#6	#7
PE 5, 6, 6A, 6B	Short-time	#5	#6
PE 5, 6, 6A, 6B	Ground-fault	#7	#8
SE 2, 3, 3A, 3B (Fixed and Drawout)	Both	#23	#24
SE 2, 3, 3A, 3B (Fixed and Drawout)	Ground-fault	#20	#21
SE Drawout (Fully Removed From cradle)	Both	Use SEPTIK2 (see Primary Injection Test Kit, page 41)	Use SEPTIK2 (see Primary Injection Test Kit, page 41)

NOTE: If self-restraint jumpers are installed to defeat zone-selective interlocking for testing purposes, remove jumpers when testing is complete. Any restraint wires disconnected for the test should be reconnected at this time.

Ground-Fault Protection and Indication Only Tests for Radial Systems

⚠️ ⚠️ DANGER

HAZARD OF ELECTRIC SHOCK, EXPLOSION, OR ARC FLASH

- Apply appropriate personal protective equipment (PPE) and follow safe electrical work practices. See NFPA 70E or CSA Z462.
- This equipment must be installed and serviced by qualified electrical personnel.
- Turn off all power supplying this equipment before working on or inside equipment.
- Always use a properly rated voltage sensing device to confirm power is off.
- Replace all devices, doors and covers before turning on power to this equipment.

Failure to follow these instructions will result in death or serious injury.

Ground-Fault Trip Test

The ground-fault function of a MicroLogic electronic-trip circuit breaker provides ground-fault protection for equipment with adjustable pickup and delay values. The ground-fault delay feature determines how long the circuit breaker waits before initiating a trip signal during a ground fault. Performance of the ground-fault functions of the circuit breaker can be tested using a high-current, low-voltage ac power supply.

SE drawout circuit breakers with the integral ground-fault test feature require an adapter plug (Square D catalog number SEPITK2) when the circuit breaker is completely removed from the cradle. The adapter plug will make the necessary jumper connections on the secondary circuit. These jumpers are normally made when the circuit breaker is in the connected position. Follow the instructions provided with the adapter plug to ensure proper application.

Test Procedure

1. Completely de-energize and remove the circuit breaker from service.
2. Before testing, record pickup and delay setting for all function. Reset the trip unit to these same settings after the test procedure is completed.
3. If testing a circuit breaker that is equipped with zone-selective interlocking, follow the procedure to defeat zone-selective interlocking on Procedure to Defeat Zone-Selective Interlocking, page 34. If you are using a secondary injection test kit for these tests, carefully read and follow the test kit instructions about zone-selective interlocking.

NOTE: Failure to defeat zone-selective interlocking will result in trip time inaccuracy.

4. Use these settings for the test:

Long-Time Pickup/Ampere Rating = Max.

Long-Time/Overload Delay = Max

Short-Time/Short-Circuit Delay = Max. (I²t IN or ON)

Instantaneous = Max.

Ground-Fault Pickup = Min.

Ground-Fault Delay = Min. (I²t OUT of OFF)

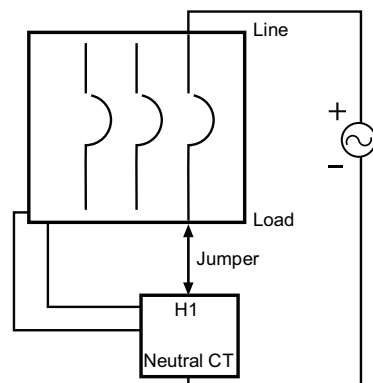
NOTE: Do not use the INSTANT setting for ground-fault delay. On Series 2 SE circuit breakers, use ground-fault delay setting “2.”

5. Follow the hookup procedure appropriate to the test application.

For circuit breakers without a neutral current transformer, go to step 8.

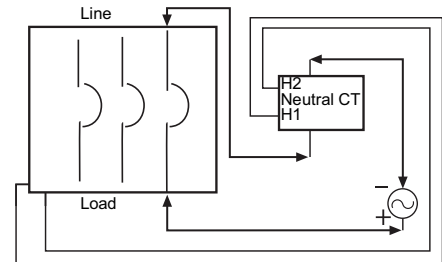
For circuit breakers with the integral ground-fault function in a three-phase, four-wire system, an externally-mounted neutral current transformer (CT) must be used. The neutral CT is connected to the circuit breaker by a shielded cable (#14 AWG [2.5 mm] wire is recommended).

Figure 8 - Test Hookup Diagram for Neutral CT Phasing Test



See circuit breaker instructions bulletin for connections to circuit breaker and neutral CT.

Figure 9 - Test Hookup Diagram for Neutral CT Size Test



See circuit breaker instructions bulletin for connections to circuit breaker and neutral CT.

6. Verify correct phasing of the neutral CT (three-phase, four-wire systems) by performing a No Trip Test as follows:
 - a. Connect the circuit breaker and neutral CT as shown in Test Hookup Diagram for Neutral CT Phasing Test, page 36. The jumper must go from the load connection on the circuit breaker to the H1 connection on the neutral CT (or the side of the neutral CT that has the red dot). Connect the secondary of the neutral CT according to the circuit breaker instruction manual or the neutral CT instructions.
 - b. Apply current above the ground-fault pickup level and maintain longer than the ground-fault delay.
 - c. The circuit breaker must not trip. No trip indicates that both the phase CT and neutral CT are phased properly.

Figure 10 - Test Hookup Diagram for Circuit Breaker Without Neutral CT

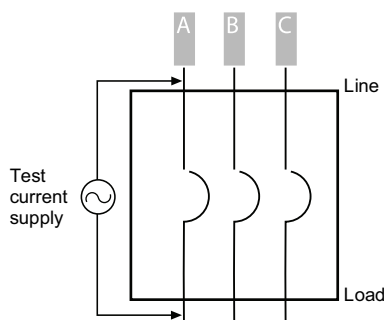
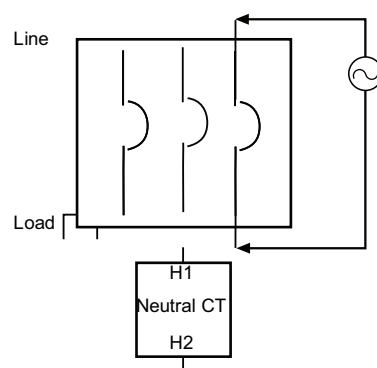


Figure 11 - Test Hookup Diagram for Ground-fault Pickup and Delay Test



7. Verify the correct size of the neutral CT (three-phase, four-wire systems) by performing a Trip Test as follows:
 - a. Connect the circuit breaker and neutral CT as shown in Test Hookup Diagram for Neutral CT Size Test, page 36. Connect the polarity (+) terminal of the high current injection unit to the load side of the circuit breaker. The jumper must go from the line connection on the circuit breaker to the H1 connection on the neutral CT (or the side of the neutral CT that has the red dot). Connect the non-polarity (-) terminal of the high current injection unit to H2 on the neutral CT (on the line side of the circuit breaker). Connect the secondary of the neutral CT according to the circuit breaker instruction manual or the neutral CT instructions.
 - b. Apply current.
 - c. The circuit breaker must trip at half the value of the ground-fault pickup. Tripping indicates that both the phase CT and neutral CT have the same turns ratio (same size).

8. Test ground fault pickup and delay by performing a trip test as follows:
 - a. Connect the circuit breaker as shown in Test Hookup Diagram for Circuit Breaker Without Neutral CT, page 37, (three-phase, three-wire systems) or Test Hookup Diagram for Ground-fault Pickup and Delay Test, page 37 or (three-phase, four-wire systems).
 - b. After the circuit is properly connected and closed, apply current in short pulses of 10-cycle duration. Starting at 70% of the expected trip value, increase the current on each succeeding pulse until the circuit breaker trips.
 - c. Reclose the circuit breaker and reduce the current level; pulse again to determine if the pickup level found was overshoot.
 - d. Repeat steps b and c to further isolate the pickup point.
 - e. To determine delay time, test each pole of the circuit breaker individually at 150% of the ground-fault pickup setting. Monitor the time from this pickup point until the circuit breaker trips to obtain the delay time.
 - f. Record pickup and delay values and compare the results to the trip curve.

The ground-fault test can also be done using the UTS3 secondary injection test kit. These secondary injection test sets do not test the current transformers and connections.

Tests for Ground-Fault Alarm Only: LE, ME, NE, PE and SE Circuit Breakers

All LE, ME, NE, PE, and SE circuit breakers with the ground-fault alarm feature are supplied with an integral ground-fault test feature. A 120 V power source is required to operate the integral test feature. The test circuitry simulates a ground-fault when the test button on the front of the circuit breaker is depressed. The ammeter in the circuit breaker will indicate a current value while the push-to-test button is engaged.

NOTE: The ground-fault alarm only circuit breaker will not trip or indicate a trip when the push-to-test button on the front of the circuit breaker is pressed.

When connected to a PowerLogic system via a communications adapter (Square D catalog number CIM3F), the PowerLogic system will indicate a ground-fault current value while the push-to-test button is engaged. The PowerLogic system indicates an alarm condition if the push-to-test button is pressed for two seconds. The circuit breaker takes a maximum of one second to communicate an alarm condition. The PowerLogic system updates the condition only as frequently as the scan time is set on the PowerLogic system.

Instructions for the ground-fault trip test, Ground-fault Trip Test, can be applied to ground-fault alarm only circuit breakers with the following exceptions:

- A. Ground-fault alarm only circuit breakers have no trip or delay features. Therefore the Universal Test Set (catalog number UTS3) will display no time values.
- B. Ground-fault zone-selective interlocking is not available on ground-fault alarm only circuit breakers.
- C. If the pulse test method is used, the pulse signal must be long enough for the PowerLogic system to recognize the alarm condition.

When secondary injection testing using the UTS3 test set, the circuit breaker must be disconnected from the PowerLogic system. To disconnect the circuit breaker from the PowerLogic system, detach the 4-pin plug connection on the adapter. The test set will indicate the circuit breaker failed if the PowerLogic system remains connected when testing. After testing, reconnect the four-pin plug to the adapter. Follow the instructions for the version of PowerLogic software that is installed on the system to verify that the communication has been re-established with the circuit breaker.

NOTE: Testing a circuit breaker connected to a PowerLogic system causes the PowerLogic system to react as if the circuit breaker were experiencing the actual faults.

Table 6 - Maximum Micro-Ohms Per Pole

Circuit Breaker		Micro-Ohms (u ohm)	Circuit Breaker		Micro-Ohms (u ohm)
Type	Rating		Type	Rating	
LE, LX	300	477	NE, NX	600	112
	350	416		700	106
	400	250		800	85
	450	310		900	81
	500	286		1000	66
	600	169		1200	56
ME, MX	125	1,600	PE, PX	600	106
	150	1,500		700	100
	175	914		800	81
	200	725		1000	63
	225	593		1200	53
	250	488		1400	49
	300	344		1600	41
	350	261		1800	35
	400	200		2000	31
	450	146		2500	33
	500	114	PE, PX	600	106
	600	94		700	100
	700	78		800	81
	800	68		1000	63
				1200	53

Contact Resistance Test

Circuit breaker pole resistance tests are not reliable indicators of circuit breaker performance because the resistance values are influenced by a number of transient factors including contact surface oxidation, foreign material between the contacts, and testing methods. NEMA AB 4 paragraph 6.4.1 states: “The millivolt drop of a circuit breaker pole can vary significantly due to inherent variability in the extreme low resistance of the electrical contacts and connectors. Such variations do not necessarily predict unacceptable performance and shall not be used as the sole criteria for determination of acceptability.”

High pole resistance may also be caused by eroded contacts, low contact force, and loose termination. The only one of these factors likely to be present on a new circuit breaker is a loose termination, since the contacts are new and there has been no opportunity for contact pressure to have drifted from the factory setting. A loose termination can be corrected in the field.

If a contact resistance test is done, it is important to do it after the contacts have been conditioned by instantaneous primary injection testing to ensure the contacts are clear of resistive films, oxidation and foreign material. If the circuit breaker has been in service with no performance issues, (overheating or nuisance tripping), contact resistance measurements are redundant and of little value.

Square D recommends that a DLRO (Digital Low Resistance Ohmmeter) be used, using a 10 A dc test current for circuit breaker ratings below 100 A, and using 100 A dc for circuit breakers rated 100 A and above. the median (middle) value of three readings (toggling the circuit breaker between each reading) should be recorded for each pole tested. If this value is equal to or less than the value listed in *Maximum Micro-Ohms Per Pole*, page 39, the pole is acceptable. If the reading is higher, the cause should be investigated and corrected if possible. Contact your local field office for more information.

Remove Test Connections

Upon completing testing:

- Remove test connections from circuit breaker.
- Inspect connections for damage caused by testing.
- Reset the long-time pickup switch to original settings, as recorded in above.
- If an auxiliary power supply is being used for the MicroLogic trip unit, reconnect the auxiliary power supply.

Additional Information

For more information concerning Square D circuit breakers, refer to the appropriate instruction manual. These manuals contain installation instructions, mounting information, safety features, wiring diagrams, and troubleshooting charts for specific circuit breakers.

Section 6—Available Test Equipment

Test Equipment for L-, M-, N-, P- and S-Frame Circuit Breakers with MicroLogic Trip Units

Local Current Meter Kit

Local current meters (catalog numbers ALAM and ALAMP) offer real-time current metering capabilities and, if the circuit breaker trips, the meters indicate the type of trip:

- Overload
- Short circuit
- Ground fault

The current meter provides a simple means of troubleshooting the cause of a trip, and comes installed in all full-function (LE, ME, NE, PE and SE) circuit breakers. The current meter provides on-line assistance with:

- Identifying overloaded or unbalanced phases
- Defining the level of ground-fault current flowing on the circuit

The ALAM kit is for use with all series of L-, M-, N- and S-frame MicroLogic electronic-trip circuit breakers. The ALAMP kit is for use on all series of P-frame MicroLogic Electronic-trip circuit breakers, and is different only because of the orientation of the trip unit cavity.

Memory-Reset Module

Memory reset modules (catalog numbers MTMB, MTM2 and MTM3) are used to reset the long-time memory on MicroLogic electronic-trip circuit breakers. This allows faster primary injection testing of the circuit breaker.

- The MTMB module is for use with MicroLogic Series B electronic-trip systems.
- The MTM3 module is for use with MicroLogic Series 3 trip systems
- The MTM2 module is for use with Series 2 SE electronic-trip circuit breakers.

Primary Injection Test Kit

Adapter plug kits (catalog numbers SEPITK1 and SEPITK2) use jumpers in certain terminals to properly connect the secondary sensing wiring in SE drawout construction circuit breakers. The SEPITK1 test kit is for use with Series 1 SED circuit breakers; the SEPITK2 test kit is for use with Series 2 and above SED circuit breakers.

Universal Test Set

The optional Universal Test Set (catalog number UST3) is a microprocessor-based system used to test all LE, LX, LXI, ME, MX, NE, NX, PE, PX and SE MicroLogic circuit breakers. This test set will thoroughly test each function of the trip unit. The Universal Test Set is a secondary injection tester and does not take current transformer tolerances into consideration.

The UTS3 test set includes:

- The test module for standard and full-function MicroLogic Series B trip systems
- A self-test module
- A power cord
- A ribbon cable
- An instruction manual

Test Equipment for PowerPacT P/R Circuit Breakers with MicroLogic Electronic Trip Units

Full-Function Test Kit

The Full-Function Test Kit is a microprocessor-based system used to test ComPact™ NSJ, and PowerPacT circuit breakers with MicroLogic electronic-trip units. The Full-Function Test Kit is a secondary injection tester and does not test the current transformers and connections.

The Full-Function Test Kit is designed to be used as a stand-alone test unit or in conjunction with a personal computer. The Full-Function Test Kit alone performs the following tests:

- Protection function verification (LSIG)
- Compliance with trip curve
- Electrical and mechanical tests of trip system
- Zone-selective interlocking tests
- Inhibition of ground-fault protection for use during primary injection testing
- Inhibition of thermal imaging for use during primary injection testing
- Supply control power to the trip unit to energize displays

Hand-Held Test Kit

The Hand-Held Test Kit is a small battery-powered unit. It is designed to provide convenient secondary injection tests on ComPact NSJ and PowerPacT circuit breakers with MicroLogic electronic-trip units. The Hand-Held Test Kit is powered by five 9 V batteries and can be used to do the following:

- Verify trip unit operation by tripping the circuit breaker with a secondary injection signal
- Supply control power to the trip unit to energize displays
- Inhibit thermal imaging for primary injection testing
- Inhibit ground-fault for primary injection testing
- Zone-selective interlocking tests⁴

4. Only provides power to trip unit to indicate a ZSI signal was received. Will not initiate the command to send a ZSI restraint signal.

Available Test Equipment for PowerPacT H/J/L Circuit Breakers with MicroLogic Electronic-Trip Units

Pocket Tester

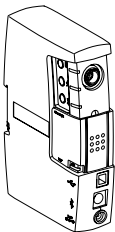


Pocket Tester

The pocket tester connects to the MicroLogic trip unit test connector. It powers up the MicroLogic trip unit and the Ready LED. It supplies the screen, allows settings to be made using the keypad, and provides thermal memory inhibit functions.

The pocket tester runs off of two Alkaline AA batteries.

UTA Tester for Test and Maintenance



UTA Tester Module

The UTA Tester includes:

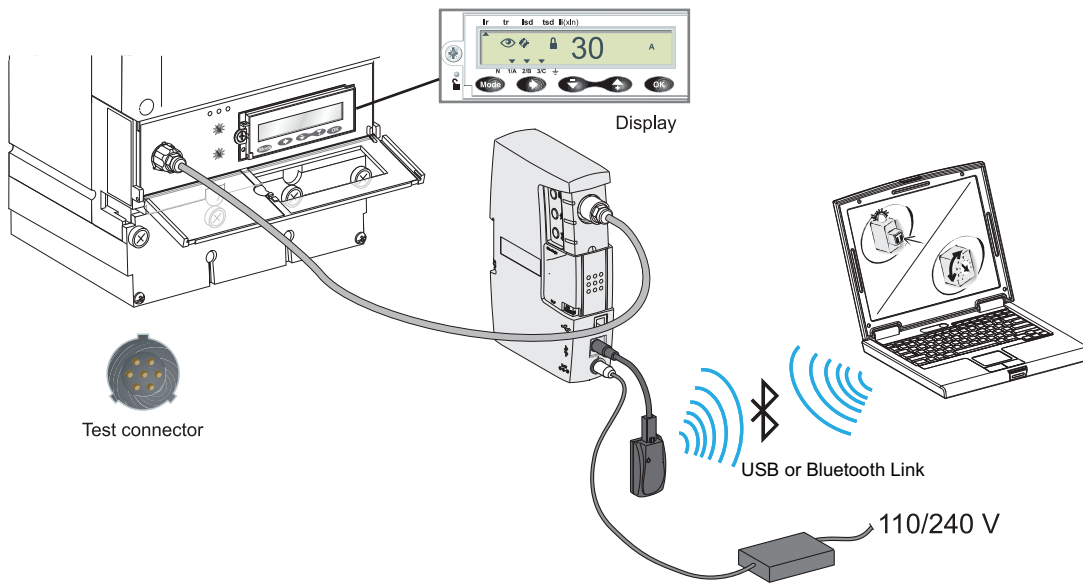
- configuration and maintenance module
- power supply (110–220 Vac / 50-60 Hz 24 Vdc - 1 A)
- special MicroLogic cable for connection to the trip-unit test connector
- standard USB cable
- standard RJ45 cable
- user manual

Included in the UTA Tester, the UTA Tester module tests MicroLogic trip unit operation and provides access to all parameters and settings. It connects to the MicroLogic trip unit test connector and can operate in two modes.

- Stand-alone mode to:
 - supply the MicroLogic trip unit with power and check operation using the Ready LED
 - Provides ground-fault inhibit and thermal memory inhibit
- PC mode, connected to a PC with a USB or Bluetooth link. This mode provides access to protection settings, alarm settings and readings of all indicators. Using the associated RSU software utility, it is possible to store, in a dedicated file for each device, all the data that can transferred to another device.

This mode also offers operating-test functions:

- check on trip time delay (trip curve)
- check on non-tripping time (coordination)
- check on ZSI function
- alarm simulation
- display of setting curves
- display of currents
- printing of test reports
- optional Bluetooth link (to PC).



Schneider Electric
800 Federal Street
Andover, MA 01810
USA

888-778-2733

www.se.com

As standards, specifications, and design change from time to time,
please ask for confirmation of the information given in this publication.

© 2021 – 2022 Schneider Electric. All rights reserved.

0600IB1201

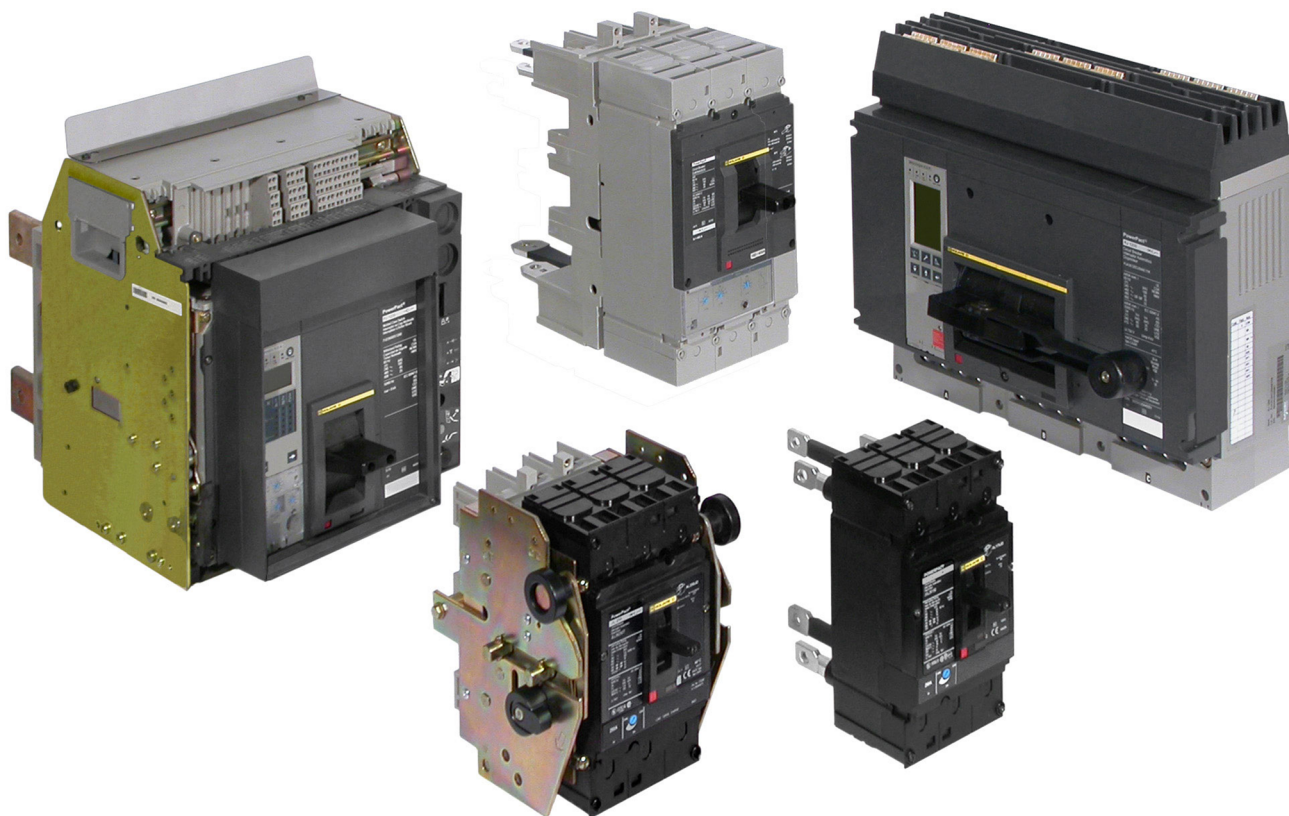
Guía de pruebas de campo y mantenimiento para interruptores termomagnéticos y de disparo electrónico MicroLogic™

Clase 0600

Boletín de instrucciones

0600IB1201

Fecha de lanzamiento 05/2022



Información legal

La marca Schneider Electric y cualquier marca comercial de Schneider Electric SE y sus subsidiarias mencionadas en esta guía son propiedad de Schneider Electric SE o sus subsidiarias. Todas las demás marcas pueden ser marcas comerciales de sus respectivos propietarios. Esta guía y su contenido están protegidos por las leyes de derechos de autor aplicables y se proporciona solo para fines informativos. No se puede reproducir o transmitir ninguna parte de esta guía de ninguna forma ni por ningún medio (ya sea electrónico, mecánico, por fotocopia, grabación o de otra manera), con ningún propósito, sin la previa autorización por escrito de Schneider Electric.

Schneider Electric no concede ningún derecho o licencia para el uso comercial de la guía o de su contenido, salvo en el caso de una licencia no exclusiva y personal para consultarla que se suministra "tal cual".

Solo el personal calificado puede instalar, hacer funcionar y prestar servicios de mantenimiento a los productos y equipos de Schneider Electric.

Ya que las normas, las especificaciones y los diseños cambian cada cierto tiempo, la información contenida en esta guía puede estar sujeta a cambios sin previo aviso.

En la medida permitida por la ley vigente, Schneider Electric y sus subsidiarias no asumen responsabilidad alguna por cualquier error u omisión en el contenido informativo de este material o de las consecuencias derivadas o resultantes del uso de la información contenida en este documento.

Contenido

Sección 1—Introducción.....	6
Inspección y prueba.....	6
Errores de pruebas de los interruptores termomagnéticos.....	7
Precauciones de seguridad.....	7
Sección 2—Inspección visual y servicio de mantenimiento preventivo.....	8
Caja moldeada de interruptores automáticos.....	8
Procedimientos.....	8
Inspecciones visuales durante el funcionamiento.....	8
Inspecciones de servicio de mantenimiento.....	10
Inspección termográfica.....	13
Información adicional.....	13
Sección 3: Pruebas de rendimiento del interruptor automático termomagnético.....	14
Pruebas generales de rendimiento de los interruptores.....	14
Pruebas en campo de los interruptores automáticos especiales de 500 VCC.....	14
Pruebas en campo de los interruptores termomagnéticos de CA.....	15
Pruebas de rendimiento.....	16
Prueba de resistencia del aislamiento.....	16
Pruebas de rendimiento de los interruptores termomagnéticos.....	17
Desconexión de la prueba.....	21
Información adicional.....	21
Sección 4: Pruebas de rendimiento de los interruptores PowerPacT.....	22
Pruebas de rendimiento.....	22
Prueba de resistencia de aislamiento (prueba de rigidez dieléctrica).....	23
Verificación de las unidades de disparo MicroLogic.....	23
Procedimiento para anular el enclavamiento selectivo de zona.....	24
Pruebas de inyección secundaria.....	25
Prueba de inyección primaria.....	25
Interruptores con protección contra fallas a tierra integral.....	27
Pruebas de indicación y protección contra fallas a tierra solamente para los sistemas radiales.....	28
Desconexión de la prueba.....	32
Información adicional.....	32
Sección 5: Pruebas de rendimiento para los interruptores automáticos SE y LE/LX, ME/MX, PE/PX antiguos de disparo electrónico.....	33
Pruebas generales de rendimiento de los interruptores.....	33
Pruebas de los interruptores con disparo electrónico MicroLogic™.....	34
Interruptores con protección contra fallas a tierra integral.....	38
Procedimiento para los interruptores que se utilizan con los sistemas PowerLogic.....	38
Procedimiento para anular el enclavamiento selectivo de zona.....	38

Pruebas de indicación y protección contra fallas a tierra solamente para los sistemas radiales	39
Desconexión de la prueba	45
Información adicional	45
Sección 6: Equipo de pruebas disponible	46
Equipo de pruebas para los interruptores con marcos en L, M, N, P y S y unidades de disparo MicroLogic	46
Equipo de medición de corriente	46
Módulo de restablecimiento de memoria.....	46
Equipo de pruebas de inyección primaria.....	46
Equipo de pruebas universal.....	47
Equipo de pruebas para los interruptores automáticos PowerPact™ P/R con unidades de disparo electrónico MicroLogic	47
Equipo de pruebas de amplias funciones	47
Equipo de pruebas portátil	47
Equipo de pruebas disponible para los interruptores automáticos PowerPact™ H/J/L con unidad de disparo electrónico MicroLogic™	48
Probador de bolsillo	48
Probador UTA para prueba y mantenimiento.....	48

Información de seguridad

Asegúrese de leer detenidamente estas instrucciones y realice una inspección visual del equipo para familiarizarse con él antes de instalarlo, hacerlo funcionar o prestarle servicio de mantenimiento. Los siguientes mensajes especiales pueden aparecer en este boletín o en el equipo para advertirle sobre peligros o llamar su atención sobre cierta información que clarifica o simplifica un procedimiento.



La adición de cualquiera de estos símbolos a una etiqueta de seguridad de "Peligro" o "Advertencia" indica la existencia de un peligro eléctrico que podrá causar lesiones personales si no se siguen las instrucciones.



Este es el símbolo de alerta de seguridad. Se usa para avisar sobre peligros de lesiones personales. Respete todos los mensajes de seguridad con este símbolo para evitar posibles lesiones o la muerte.

⚠ PELIGRO

PELIGRO indica una situación peligrosa que, si no se evita, causará la muerte o lesiones graves.

⚠ ADVERTENCIA

ADVERTENCIA indica una situación peligrosa que, si no se evita, puede causar la muerte o lesiones graves.

⚠ PRECAUCIÓN

PRECAUCIÓN indica una situación peligrosa que, si no se evita, puede causar lesiones leves o moderadas.

AVISO

AVISO se usa para referirse a prácticas no relacionadas con lesiones físicas.

Observe que

Solamente el personal calificado deberá instalar, hacer funcionar y prestar servicios de mantenimiento al equipo eléctrico. Schneider Electric no asume responsabilidad alguna por las consecuencias emergentes del uso de este material.

Una persona calificada es aquella que tiene destreza y conocimiento técnico relacionado con la construcción, instalación y funcionamiento del equipo eléctrico; asimismo, esta persona ha recibido capacitación sobre seguridad con la cual puede reconocer y evitar los riesgos involucrados. Los equipos eléctricos deben transportarse, almacenarse, instalarse y operarse únicamente en el entorno para el que fueron diseñados.

Sección 1—Introducción

Inspección y prueba

La vida útil de los interruptores automáticos en caja moldeada depende de la aplicación apropiada, instalación correcta, condiciones ambientales y servicio de mantenimiento preventivo. Dos niveles de investigación pueden garantizar el funcionamiento correcto de un interruptor automático:

1. Inspección y servicio de mantenimiento preventivo
2. Pruebas de rendimiento y verificación.

Para garantizar un funcionamiento adecuado continuo, inspeccione periódicamente los interruptores siguiendo los procedimientos delineados en este documento. Estos procedimientos le ayudarán a diagnosticar problemas de funcionamiento y se han proporcionado para ayudarle a identificar problemas potenciales después de haber realizado una inspección. Las instrucciones de pruebas en campo, inspección y servicio preventivo delineadas en este documento son apropiadas para su uso con interruptores automáticos de disparo electrónico MicroLogic™, interruptores termomagnéticos e interruptores automáticos magnéticos solamente.

Tabla 1 - Pruebas e inspección del interruptor automático

Interruptor automático	Inspección	Pruebas de rendimiento
Interruptores termomagnéticos	Sección 2	Sección 3
Interruptores automáticos magnéticos solamente	Sección 2	Sección 3
Interruptores automáticos PowerPacT	Sección 2	Sección 4
Interruptores de disparo electrónico (excepto los interruptores MasterPacT y PowerPacT)	Sección 2	Sección 5

Para obtener información sobre el mantenimiento y las pruebas de los interruptores MasterPacT de caja aislada, consulte el boletín 0613IB1202, la guía de mantenimiento y pruebas de campo de los interruptores MasterPacT NT y NW.

La norma generalmente usada como base para los requisitos de las pruebas en campo es la norma NEMA AB4 de la Asociación nacional de fabricantes de equipo eléctrico de los EUA, "Procedimiento de inspección y mantenimiento preventivo de interruptores automáticos en caja moldeada que se utilizan en aplicaciones comerciales e industriales". Si necesita información o asistencia adicional, póngase en contacto con la oficina local de ventas. Para obtener servicio en sus instalaciones, póngase en contacto con el Centro de información al cliente que está a su disposición las 24 horas del día, llamando al 1-888-778-2733 (en EUA) o al 55-5804-5000 (en México).

Los procedimientos de inspección y mantenimiento preventivo delineados en este documento le serán útiles para establecer un programa de inspección rutinario. Realice pruebas de rendimiento sólo si durante una inspección o bien, el funcionamiento diario indica que el interruptor automático no está proporcionando protección adecuada necesaria para la aplicación.

Si durante las pruebas de rendimiento o inspección los resultados son cuestionables, póngase en contacto con la oficina local de ventas. Si es necesario devolver un interruptor a la fábrica, utilice embalaje apropiado para evitar que se dañe durante el transporte.

Este documento no tiene como objetivo, ni tampoco es adecuado para, verificar el funcionamiento apropiado de los componentes eléctricos de un interruptor automático en caja moldeada que ha sido desarmado, modificado, restaurado o manipulado de manera inadecuada o no autorizada por la compañía.

Errores de pruebas de los interruptores termomagnéticos

En los últimos años se ha reportado un creciente número de errores en las pruebas de campo. Los obstáculos principales que afectan las pruebas en campo de estos interruptores son las variables presentes en instalaciones modernas, tales como variaciones en gabinetes, barras, alambrado y proximidad a otro equipo.

Otro obstáculo es el uso de corrientes de prueba de VCA en lugar de VCC para las aplicaciones de corriente directa. La mayoría de los fabricantes, sin embargo, han probado y certificado los interruptores automáticos de CA para su uso en aplicaciones de CC en baja tensión (250 V o de menor valor). Cuando se usan interruptores termomagnéticos, con un marco de 1000 A o de menor intensidad, en sistemas de baja tensión menores que 250 V, las características térmicas de los interruptores permanecen estables. Por otro lado, las características magnéticas (instantáneas) varían y requieren un multiplicador para determinar la corriente de CC necesaria para disparar el interruptor automático. Los multiplicadores adecuados para el equipo marca Square D figuran en la sección "Cómo determinar las capacidades de conducción de la corriente" en el boletín de datos de aplicaciones especiales.

Para los interruptores automáticos de más de 1000 A e interruptores de 500 VCC, la correlación entre la corriente CA y la corriente CC no es predecible. Para obtener resultados precisos, estos interruptores deberán ser probados utilizando corriente CC. Consulte Pruebas en campo de los interruptores automáticos especiales de 500 VCC, página 14 para obtener información sobre las pruebas.

Precauciones de seguridad

1. Solamente el personal eléctrico especializado con capacitación y experiencia en circuitos de baja tensión deberá realizar el trabajo descrito en estas instrucciones. Estos técnicos deberán entender los riesgos involucrados al trabajar con y cerca de equipo de baja tensión. Este trabajo deberá realizarse sólo después de haber leído todas las instrucciones.
2. Algunas inspecciones o procedimientos requieren que ciertas partes del sistema eléctrico permanezcan energizadas en tensiones peligrosas. Observe todos los mensajes específicos de seguridad (peligro, advertencia, precaución) que figuran en este manual.
3. Use equipo protector, reconozca peligros potenciales y tome medidas de seguridad adecuadas al realizar los procedimientos descritos en este manual.

Sección 2—Inspección visual y servicio de mantenimiento preventivo

Los interruptores automáticos en caja moldeada requieren muy poco mantenimiento. La Compañía recomienda realizar procedimientos de inspección en intervalos regulares. La frecuencia de inspecciones depende de las condiciones ambientales y de funcionamiento relacionadas con la aplicación.

Las inspecciones visuales mientras está funcionando el equipo pueden ser realizadas cada vez que el personal eléctrico especializado o de mantenimiento se encuentre en la sala del equipo eléctrico.

Las inspecciones de mantenimiento pueden realizarse en intervalos de mantenimiento regulares. Se recomienda realizar pruebas anuales al mecanismo de los interruptores automáticos. Tal vez sea necesario realizar inspecciones y servicios de mantenimiento más frecuentes si el equipo es expuesto a condiciones ambientales o de funcionamiento adversas.

Caja moldeada de interruptores automáticos

La caja moldeada de un interruptor automático (en caja moldeada) marca Square D no deberá abrirse. Si se abre la caja o se desarma el interruptor automático, se anulará la garantía del fabricante y se pone en peligro la integridad del dispositivo. Los interruptores automáticos que han sido abiertos o que no funcionan deberán ser destruidos o devueltos a la Compañía para que no vuelvan a ponerse en servicio. El desmontaje de las cubiertas auxiliares o de accesorios no constituye la apertura de la caja moldeada.

Procedimientos

Inspecciones visuales durante el funcionamiento

PELIGRO

PELIGRO DE DESCARGA ELÉCTRICA, EXPLOSIÓN O DESTELLO POR ARQUEO

- Utilice equipo de protección personal (EPP) apropiado y siga las prácticas de seguridad en trabajos eléctricos establecidas por su compañía. Consulte la norma 70E de NFPA o Z462 de CSA.
- Solamente el personal especializado en electricidad deberá instalar y prestar servicio de mantenimiento a este equipo.
- Tome medidas de seguridad apropiadas para asegurarse de que no haya contacto accidental con componentes energizados durante este procedimiento.

El incumplimiento de estas instrucciones tendrá como resultado la muerte o lesiones graves.

Mientras el interruptor está energizado:

1. Verifique la aplicación y el valor nominal del interruptor automático.

Asegúrese de que el interruptor automático sea adecuado para la aplicación: valores nominales de la corriente máxima de interrupción, tensión e intensidad de la corriente, especificados en la etiqueta y las recomendaciones de la Compañía. Compare la información en la placa frontal del interruptor con los dibujos de la instalación. Verifique los ajustes en los interruptores de disparo electrónico MicroLogic™ con los resultados del estudio de coordinación. Después de haber completado los procedimientos de servicio de mantenimiento e inspección, asegúrese de que los ajustes de las funciones de la unidad de disparo hayan sido definidos según los resultados del estudio de coordinación.

2. Revise el equipo mientras está energizado para determinar si hay sobrecalentamiento.

Mientras el interruptor automático está funcionando normalmente, bajo carga y a una temperatura de funcionamiento adecuada, revise el frente aislado, expuesto y accesible del interruptor así como las superficies del frente muerto adyacente del gabinete para determinar si hay sobrecalentamiento. Para ello, utilice una sonda de temperatura infrarroja para comprobar la temperatura. Si la temperatura supera los 60 °C, debe investigarse la causa.

Si el interruptor automático recién ha sido energizado, déjelo funcionar por lo menos tres horas para alcanzar la temperatura de funcionamiento. Compare la temperatura en la superficie de cada interruptor automático con la temperatura en la superficie de otros interruptores instalados. La temperatura en la superficie de los interruptores varía según la carga, posición en el tablero de alumbrado y distribución y según la temperatura ambiente. Si la temperatura en la superficie de un interruptor automático es más alta que la de los interruptores adyacentes, se debe investigar la causa.

Los métodos de inspección termográfica también pueden utilizarse para evaluar el sobrecalentamiento con los equipos energizados (consulte *Inspección termográfica*, página 13).

3. Revise la caja moldeada para ver si hay grietas.

Cualquier interruptor automático en caja moldeada con grietas deberá sustituirse ya que su habilidad para soportar esfuerzos de interrupción de cortocircuito se habrá visto afectada (reducida).

4. Revise el gabinete.

El gabinete deberá estar limpio y seco. Todas las cubiertas y piezas de disparo deberán estar en su lugar.

Inspecciones de servicio de mantenimiento

PELIGRO

PELIGRO DE DESCARGA ELÉCTRICA, EXPLOSIÓN O DESTELLO POR ARQUEO

- Utilice equipo de protección personal (EPP) apropiado y siga las prácticas de seguridad en trabajos eléctricos establecidas por su compañía. Consulte la norma 70E de NFPA o Z462 de CSA.
- Solamente el personal especializado en electricidad deberá instalar y prestar servicio de mantenimiento a este equipo.
- Desconecte todas las fuentes de alimentación antes de realizar inspecciones de servicio de mantenimiento. Suponga que todos los circuitos están “vivos” (activos) hasta que hayan sido completamente desenergizados, probados, puestos a tierra y etiquetados. Tome en consideración todas las fuentes de alimentación, incluida la posibilidad de retroalimentación y alimentación de control.
- Siempre utilice un dispositivo detector de tensión de valor nominal adecuado para confirmar que el equipo está apagado.
- Vuelva a colocar todos los dispositivos, las puertas y las cubiertas antes de encender este equipo.

El incumplimiento de estas instrucciones tendrá como resultado la muerte o lesiones graves.

Mientras el interruptor está desenergizado:

1. Revise el equipo mientras está desenergizado para determinar si hay sobrecalentamiento.

Realice una inspección visual a los componentes eléctricos para ver si hay decoloración. Esto puede ser una indicación de sobrecalentamiento. Si no hay evidencia de sobrecalentamiento o conexiones sueltas, no altere ni vuelva a apretar las conexiones.

Conexiones de cobre:

- Si hay evidencia de sobrecalentamiento en las terminales, conectores, conductores o aislamiento de los conductores, limpie y arregle las barras de distribución y conexiones afectadas según los requisitos de la norma NEMA AB4.

Conexiones de aluminio:

- Los conectores de aluminio que se han sobrecalentado deberán ser sustituidos, así como sus partes dañadas. Si el conductor no es lo suficientemente largo para conectarlo correctamente a las terminales del interruptor automático después de haber quitado la parte dañada, conecte un empalme apropiado empleando una nueva sección de un conductor similar.

Conexiones de los tableros I-Line™:

- Si las conexiones de las mordazas de los tableros I-Line están picadas, decoloradas o deformadas, el interruptor automático deberá cambiarse. Las mordazas I-Line se calibran y prueban durante el proceso de fabricación. No se pueden cambiar en el campo. No doble ni ajuste las mordazas.
- Si retira el compuesto para juntas eléctricas de las conexiones del tablero I-Line, deberá volver a aplicarlo antes de instalar nuevamente los interruptores. Este compuesto es necesario para garantizar la integridad de las conexiones. Las conexiones de los tableros de distribución I-Line requieren el compuesto para juntas PJC-7201 de Square D.

AVISO
<p>PELIGRO DE DAÑO AL EQUIPO</p> <p>Cada vez que se retire el interruptor de su compartimiento será necesario volver a lubricar sus conexiones removibles.</p> <p>El incumplimiento de estas instrucciones podría provocar daños en el equipo.</p>

Conexiones removibles:

- Si las conexiones removibles del interruptor están decoloradas o deformadas, el interruptor deberá sustituirse.
- Cada vez que se retire el interruptor de su compartimiento, será necesario volver a lubricar sus conexiones removibles. Este compuesto es necesario para garantizar la integridad de las conexiones.
- Las conexiones removibles de los interruptores SE requieren el compuesto para juntas PJC8311 Square D.
- Las conexiones removibles para los interruptores PowerPacT requieren el kit de grasa S48899 para lubricar las pinzas de conexión y las lengüetas.

Después de limpiar y/o sustituir las piezas dañadas, apriete todas las conexiones en los valores especificados por Square D. Consulte el boletín de instrucciones del interruptor para obtener información adicional sobre los valores de par de apriete. Los boletines de instrucciones vienen con los interruptores y también se encuentran disponibles en la biblioteca técnica en el sitio web de Square D.

2. Pruebe el mecanismo de los interruptores:

Articule la palanca del interruptor varias veces en la posición de abierto (O) y cerrado (I) para asegurarse de que no haya ninguna obstrucción mecánica. Dispare el interruptor presionando el botón de disparo. Restablezca y vuelva a energizar el interruptor. Vuelva a repetir este procedimiento para asegurar su funcionamiento correcto. Si el interruptor no se dispara, o si no se restablece después de dispararlo, este deberá sustituirse.

NOTA: La palanca LED Visi-Trip ayuda a localizar rápidamente un interruptor automático que necesita atención. Inspeccione la posición de la palanca para ver la indicación de disparo del interruptor automático.

NOTA: Al realizar el mantenimiento anual de acuerdo con la Guía de mantenimiento y pruebas de campo de MCCB (0600IB1201), presione el botón de disparo (si está incluido) para verificar la funcionalidad Visi-Trip. Desactive el interruptor automático disparado y vuelva a activarlo y compruebe el estado de la batería.

Patrón de luz	Indicador
Parpadeo rápido durante dos segundos.	Batería baja (20% restante). ¹
Parpadeo lento de larga duración (parpadeo continuo durante seis horas).	El interruptor automático requiere una inspección

3. Limpie el interruptor. Remueva la acumulación de polvo, suciedad, grasa o humedad de las superficies del interruptor con un trapo que no deje pelusas o una aspiradora. No use aire comprimido. Proceda con cuidado al usar solventes o limpiadores basados en detergente: estos pueden deteriorar la placa frontal, etiquetas y material de aislamiento. Limpie las superficies de contacto de las terminales de conexión y de las terminales del interruptor o barras de distribución con un limpiador no abrasivo. Los limpiadores abrasivos pueden remover el revestimiento, lo cual puede deteriorar las juntas.

Si se remueve el compuesto para juntas eléctricas de las conexiones de los interruptores automáticos removibles SE o I-Line, este deberá volverse a aplicar (no. de pieza PJC-7201 o PJC-8311 marca Square D) antes de instalar nuevamente los interruptores. Este compuesto es necesario para garantizar la integridad de las conexiones.

1. Póngase en contacto con el servicio técnico de Schneider Electric para obtener información sobre la sustitución de la batería.

Inspección termográfica

PELIGRO

PELIGRO DE DESCARGA ELÉCTRICA, EXPLOSIÓN O DESTELLO POR ARQUEO

Solamente el personal eléctrico especializado con capacitación y experiencia en circuitos de baja tensión, deberá realizar las inspecciones termográficas. Estos técnicos deberán entender los riesgos involucrados al trabajar con o cerca de equipo de baja tensión. Este trabajo deberá realizarse sólo después de haber leído todas las instrucciones.

El incumplimiento de estas instrucciones tendrá como resultado la muerte o lesiones graves.

Las técnicas de inspección termográfica infrarroja pueden ser útiles para evaluar la condición de funcionamiento de los interruptores y sus terminaciones. La comparación con las imágenes termográficas infrarrojas almacenadas puede ser útil para realizar mantenimiento preventivo a los interruptores y otro equipo. La cantidad real de calor emitido es una función de la corriente de carga y las condiciones ambientales. La interpretación de las mediciones de rayos infrarrojos requiere experiencia y capacitación en este tipo de inspección.

Si el interruptor recién ha sido energizado, déjelo funcionar por lo menos tres horas para alcanzar la temperatura de funcionamiento. Compare las imágenes termográficas de cada interruptor con las imágenes almacenadas previamente del mismo interruptor.


Información adicional

Si necesita más información sobre los interruptores automáticos marca Square D, consulte el manual de instrucciones correspondiente. Estos manuales contienen las instrucciones de instalación, información de montaje, funciones de seguridad, diagramas de cableado y cuadros de diagnóstico de problemas para interruptores específicos.

Sección 3: Pruebas de rendimiento del interruptor automático termomagnético

Con estas pruebas se verifica el rendimiento de los interruptores termomagnéticos en caja moldeada.

Pruebas generales de rendimiento de los interruptores

 **PELIGRO**

PELIGRO DE DESCARGA ELÉCTRICA, EXPLOSIÓN O DESTELLO POR ARQUEO

- Utilice equipo de protección personal (EPP) apropiado y siga las prácticas de seguridad en trabajos eléctricos establecidas por su compañía. Consulte la norma 70E de NFPA o Z462 de CSA.
- Solamente el personal especializado en electricidad deberá instalar y prestar servicio de mantenimiento a este equipo.
- Desenergice todas las fuentes de alimentación del equipo antes de realizar cualquier trabajo dentro o fuera de él.
- Siempre utilice un dispositivo detector de tensión de valor nominal adecuado para confirmar que el equipo está apagado.
- Vuelva a colocar todos los dispositivos, las puertas y las cubiertas antes de encender este equipo.
- No toque las terminales del interruptor ni los conductores de prueba mientras se está probando el interruptor.

El incumplimiento de estas instrucciones tendrá como resultado la muerte o lesiones graves.

Realice las pruebas de rendimiento en el orden que figuran para maximizar la precisión de los resultados.

NOTA: Nunca realice la prueba de resistencia de los contactos antes de realizar la prueba de inyección primaria instantánea. La prueba de inyección primaria asegurará que los contactos estén libres de películas resistivas, oxidación y material extraño.

Las siguientes pruebas tienen como objetivo verificar que un interruptor esté funcionando correctamente. Las curvas de disparo características son establecidas bajo condiciones de prueba precisas controladas en la fábrica. Si los resultados de la prueba en campo caen fuera de la gama de tolerancia de la curva de disparo característica; con cuidado evalúe las condiciones de la prueba y los métodos utilizados para obtener precisión.

Si durante las pruebas de rendimiento e inspección los resultados o condiciones son cuestionables, póngase en contacto con la oficina local de ventas. Los interruptores con accesorios o modificaciones de fábrica pueden requerir atención especial. Si es necesario devolver un interruptor a la fábrica, utilice embalaje apropiado para evitar que se dañe durante el transporte.

Pruebas en campo de los interruptores automáticos especiales de 500 VCC

Los interruptores automáticos de 500 VCC de Square D con certificación UL® están diseñados, fabricados y calibrados para su uso en sistemas de alimentación ininterrumpida (SAI) sin conexión a tierra. La tensión (con carga) nominal máxima es de 500 VCC y la tensión (sin carga) flotante máxima es de 600 VCC.

Estos interruptores automáticos tienen certificación UL cuando se usan con los tres polos conectados en serie como se muestra en la etiqueta del interruptor. La conexión en serie es proporcionada por el cliente y deberá estar instalada fuera del interruptor.

Los interruptores automáticos de 500 VCC marca Square D, con certificación UL, son interruptores especiales para aplicaciones de CC solamente y deberán probarse usando corriente CC.

- Seleccione la curva de disparo de tiempo-corriente correcta. Las curvas de disparo muestran ambas gamas de disparo termomagnético y magnético de los interruptores automáticos.
- Utilice una fuente de alimentación de CC para probar los interruptores de la siguiente manera:

Interruptor automático	Constante de tiempo ²
≤ 400 A CC	≤ 20 ms
450–2 500 A CC	≤ 25 ms
Constante de ondulaciones en CC ≤ 1% rms.	

- Asegúrese de que la temperatura ambiente y la del interruptor sean de 25°C ± 3 grados.
- Desmonte el interruptor automático del gabinete. Si no es práctico desmontar el interruptor, pruébelo en el equipo original. Si los resultados de la prueba caen fuera de la gama de tolerancia de la curva de disparo; desmonte el interruptor del gabinete y vuelva a probarlo.
- Utilice un cable del tamaño correcto (según las tablas del Código Eléctrico Nacional® [NEC®]) con un mínimo de 1,22 m de cable por conexión.
- Conecte la fuente de alimentación de CC al interruptor automático con todos los polos conectados en serie como se muestra en la etiqueta del interruptor.
- Asegúrese de que todas las conexiones al interruptor hayan sido apretadas correctamente.
- Aplique corriente de prueba CC para disparar el interruptor automático. El mecanismo de disparo en el interruptor reacciona a los campos magnéticos creados por la corriente que circula por el interruptor. Aplique una corriente de prueba de CC al interruptor de aproximadamente un 70% del valor esperado. Si el interruptor automático no se dispara, aumente la corriente de prueba durante pruebas sucesivas hasta que se dispare. Cuando el interruptor se dispara:
 1. Restablezca y cierre el interruptor
 2. Vuelva a aplicar corriente de prueba de CC para disparar el interruptor automático nuevamente.
 3. Anote la corriente y compárela con la curva de disparo.

Pruebas en campo de los interruptores termomagnéticos de CA

Pasos recomendados para realizar las pruebas en campo con precisión de los interruptores automáticos (consulte los procedimientos de prueba en este manual para obtener información específica):

- Utilice equipo de pruebas apropiado.
- Asegúrese de que la temperatura ambiente y la del interruptor sean de 25°C ± 3 grados.
- Desmonte el interruptor automático del gabinete. Si no es práctico desmontar el interruptor, pruébelo en el equipo original. Si los resultados de la prueba caen fuera de la gama de tolerancia de la curva de disparo; desmonte el interruptor del gabinete y vuelva a probarlo.

2. La constante de tiempo es definida por la UL 489 como "La constante de tiempo del circuito es el tiempo medido en el oscilograma donde la corriente es el 63,2 por ciento de la corriente prospectiva".

- Utilice cable de tamaño correcto (según las tablas del NEC, NOM-001-SEDE) con un tramo mínimo de cable de 1,22 m (4 pies) por conexión.
- Pruebe cada polo individualmente.
- Asegúrese de que todas las conexiones al interruptor hayan sido apretadas correctamente.
- Pruebe el interruptor y anote los resultados. El mecanismo de disparo en el interruptor reacciona a los campos magnéticos creados por la corriente que circula por el interruptor. Cuando el flujo de corriente se acerca al punto de disparo del interruptor automático, los campos magnéticos pueden causar un disparo falso debido a vibración. Realice los siguientes pasos para minimizar los efectos de un disparo falso:
 1. Después de cada impulso de corriente o cuando el interruptor se dispara, restablezca y vuelva a energizar el interruptor.
 2. Vuelva a aplicar corriente de prueba para disparar el interruptor automático nuevamente.
 3. Anote la corriente y compárela con la curva de disparo.

Pruebas de rendimiento

Prueba de resistencia del aislamiento

Condiciones ambientales severas pueden reducir la fuerza dieléctrica de los interruptores automáticos en caja moldeada. Verifique la resistencia del aislamiento durante las pruebas del sistema dieléctrico.

AVISO

PELIGRO DE DAÑO AL EQUIPO

No aplique tensión de prueba a los circuitos de control ni a las terminales de accesorios, ya que se pueden dañar los componentes electrónicos y/o de baja tensión.

El incumplimiento de estas instrucciones podría provocar daños en el equipo.

Para verificar la resistencia del aislamiento, realice los siguientes pasos:

1. Desenergice y aisle el interruptor automático.
2. Limpie el interruptor automático como se indicó anteriormente.
3. Use un megóhmetro de una capacidad de 500 a 1 000 VCC y aplique tensión de:
 - a. Cada fase a tierra con el interruptor automático en "ON" (contactos del interruptor cerrados).
 - b. Fase a fase con el interruptor automático en "ON" (contactos del interruptor cerrados).
 - c. Entre cada terminal de línea y carga con el interruptor en "OFF" (contactos del interruptor abiertos).
4. Anote los valores de resistencia. Los valores de resistencia de menos de 1 megohm (1 000 000 ohms) deberán revisarse.

Pruebas de rendimiento de los interruptores termomagnéticos

PELIGRO

PELIGRO DE DESCARGA ELÉCTRICA, EXPLOSIÓN O DESTELLO POR ARQUEO

- Utilice equipo de protección personal (EPP) apropiado y siga las prácticas de seguridad en trabajos eléctricos establecidas por su compañía. Consulte la norma 70E de NFPA o Z462 de CSA.
- Solamente el personal especializado en electricidad deberá instalar y prestar servicio de mantenimiento a este equipo.
- Desenergice todas las fuentes de alimentación del equipo antes de realizar cualquier trabajo dentro o fuera de él.
- Siempre utilice un dispositivo detector de tensión de valor nominal adecuado para confirmar que el equipo está apagado.
- Vuelva a colocar todos los dispositivos, las puertas y las cubiertas antes de encender este equipo.

El incumplimiento de estas instrucciones tendrá como resultado la muerte o lesiones graves.

Prueba de disparo por sobrecorriente de tiempo inverso

1. Desenergice completamente el interruptor y retírelo del servicio. Realice las siguientes pruebas en un 300% de la intensidad de la corriente del interruptor automático para verificar el funcionamiento de la unidad térmica de disparo en los interruptores termomagnéticos utilizando una fuente de alimentación de baja tensión de CA y alta corriente de menos de 24 V.
2. Pruebe al aire libre a una temperatura ambiente de 25°C (77°F).
3. Los tiempos de disparo se miden desde un “arranque en frío”. Un arranque en frío, según lo define la norma UL 489, sucede a 25°C ± 3° (77°F ± 5°). Por lo tanto, antes de comenzar la prueba de sobrecorriente, el interruptor automático deberá permanecer a una temperatura ambiente de 25°C (77°F) el tiempo suficiente para que todas sus partes alcancen esa temperatura. Los interruptores que se encuentran a temperaturas ambiente más elevadas a esta les llevará de dos a cuatro horas más para alcanzar esta temperatura.
4. Conecte el interruptor a una fuente de alimentación empleando un cable de 1,2 m (4 pies) como mínimo en cada conexión. Elija el cable de tamaño adecuado según los valores de intensidad de la corriente del interruptor probado. Consulte la tabla 310-16 del NEC, NOM-001-SEDE, utilice la columna de 75°C para seleccionar el tamaño correcto de conductor. El cable de tamaño incorrecto afectará los resultados de la prueba.
5. Pruebe cada polo del interruptor individualmente en el 300% de la corriente nominal empleando una fuente de alimentación de CA de baja tensión y alta corriente.
6. Registre y compare los valores de la prueba de disparo con los de la Prueba disparo por sobrecorriente de tiempo inverso, página 18. Siempre que los tiempos de disparo anotados se encuentren por debajo de los tiempos máximos de disparo, el interruptor automático proporcionará protección térmica aceptable.

Si es necesario verificar los datos del fabricante, compare los tiempos de disparo con la gama de disparo al 300% que se muestra en la curva de disparo para el interruptor específico. Si los resultados de la prueba en campo caen fuera de la gama de tolerancia de la curva de disparo característica; con cuidado evalúe las condiciones de la prueba y los métodos utilizados para obtener precisión. Un pequeño error en la corriente de prueba produce un gran error en el tiempo de disparo.

Tabla 2 - Prueba de disparo por sobrecorriente de tiempo inverso³

Corriente nominal continua	Tiempo máximo de disparo	
	240 V	480 V / 600 V
0–30 A	60 s	
31-50 A	80 s	100 s
51-100 A	140 s	160 s
101-150 A	200 s	250 s
151-225 A	230 s	275 s
226-400 A	300 s	350 s
401-600 A		450 s
601-800 A		500 s
801–1 000 A		600 s
1 001–1 200 A		700 s
1 201–1 600 A		775 s
1 601–2 000 A		800 s
2 001–2 500 A		850 s
2 501–5 000 A		900 s

Prueba de disparo (magnético) instantáneo

Esta prueba simula las condiciones de cortocircuito utilizando una fuente de alimentación de prueba de baja tensión. Para evitar que los campos magnéticos errantes afecten los resultados de la prueba, los cables de prueba que salen del interruptor deberán estar en paralelo con la trayectoria de la corriente del interruptor en un mínimo de 254 mm (10 pulg). Los resultados de la prueba también se pueden ver afectados por la forma de la onda de la corriente de la fuente de alimentación. Utilice una fuente de alimentación con una salida sinusoidal verdadera y rcm verdadera o un amperímetro analógico para obtener resultados precisos. Para verificar el funcionamiento de la unidad de disparo (magnético) instantáneo, proceda de la siguiente manera:

NOTA: Pruebe los interruptores automáticos PA y PH con el interruptor montado en el kit de terminales de conexión (número de catálogo PALTB). Los interruptores automáticos PC deberán ser probados con el interruptor montado en el kit de terminales de conexión incluido.

Pruebe los interruptores automáticos NA y NC en el equipo original o colocado en una superficie plana sobre un pedazo de acero de 3 mm (1/8 pulg) de grueso.

1. Configure el disparo (magnético) instantáneo del interruptor automático, si ha sido provisto, en el ajuste más alto. Las pruebas conducidas en el ajuste más alto garantizan una protección de disparo instantáneo en todos los ajustes inferiores.
2. Conecte el interruptor a la fuente de alimentación de prueba de baja tensión con un conductor de longitud práctica.

3. Para interruptores termomagnéticos (al 300% del amperaje del interruptor). De la tabla 5-3, norma NEMA AB 4-1996.

3. Pruebe cada polo individualmente empleando el método de impulsos de la siguiente manera:

El método de impulsos requiere que el equipo de pruebas tenga un cierre controlado y un amperímetro de paro con indicador, un osciloscopio calibrado que almacene imágenes, o bien, un amperímetro digital de alta velocidad de muestreo. El método de impulsos incluye los siguientes pasos:

- a. Conecte un polo del interruptor en prueba al equipo de prueba.
- b. Ajuste el control de la corriente del equipo de prueba en un valor al 70% aproximadamente del ajuste de la corriente de disparo instantáneo.
Por ejemplo: Si el ajuste de disparo (magnético) instantáneo es de 2 000 A, ajuste el equipo de prueba en 1 400 A.
- c. Después de que el interruptor automático ha sido conectado y ajustado correctamente, aplique corriente en impulsos de 10 ciclos aproximadamente.
- d. Con el ajuste inicial del disparo instantáneo al 70%, aumente la corriente de cada impulso hasta que el interruptor se dispare. Después de cada impulso, mueva la palanca del interruptor automático completamente a la posición de restablecimiento, y luego a la posición de cerrado "ON".
- e. Repita el paso D para verificar este valor. Comience con un nivel de corriente inferior al valor medido en el paso D para asegurarse de que no se produzca un disparo en el impulso inicial.

4. Anote el nivel de la corriente y el tiempo de disparo. Para asegurarse de tener protección en el conductor, la corriente necesaria para disparar el interruptor automático instantáneamente no debe exceder el 140% del ajuste más alto para los interruptores con marco de 250 A y de valor nominal inferior, y al 125% del ajuste más alto para los interruptores con marco de 400 A y de valor nominal superior. Estos ajustes se encuentran impresos en la etiqueta en la placa de datos del interruptor automático. Si para disparar el interruptor son necesarias corrientes más altas que estos niveles máximos, póngase en contacto con la oficina local de ventas.

Si los resultados de la prueba en campo caen fuera de la gama de tolerancia de la curva de disparo característica; con cuidado evalúe las condiciones de la prueba y los métodos utilizados para obtener precisión.

Prueba de retención de la corriente nominal

Esta prueba deberá ser realizada solamente en interruptores automáticos que se han estado disparando incorrectamente bajo condiciones normales de funcionamiento.

Conduzca la prueba a una temperatura ambiente de 25°C (77°F) utilizando una fuente de alimentación de CA de baja tensión y alta corriente. Siga el mismo procedimiento utilizado en la prueba de disparo por sobrecorriente en tiempo inverso, Artículo 1, página 17 a Artículo 3, página 17. Conecte todos los polos del interruptor automático en serie con los cables de tamaño apropiado para la aplicación. Estos cables deberán ser de 1,22 m (4 pies) de largo por terminal (2,43 m [8 pies] en total entre los polos). Todos los conectores deberán ser apretados correctamente según los valores especificados en la etiqueta del interruptor.

El interruptor automático no deberá dispararse al aplicar la corriente nominal del dispositivo al 100% durante una hora para aquellos interruptores con intensidad de corriente inferior a 100 A, o durante dos horas para los interruptores de más de 100 A. Si se dispara el interruptor, restablézcalo y mueva la palanca de la posición de abierto "OFF" a la posición de cerrado "ON" varias veces mientras está bajo carga, luego repita la prueba. Si el interruptor continúa disparándose, póngase en contacto con la oficina local de ventas.

Prueba de resistencia de los contactos

Las pruebas de resistencia de los polos del interruptor no son indicadores fiables del funcionamiento del interruptor ya que los valores de resistencia son afectados por varios factores transitorios incluyendo la oxidación en la superficie de los contactos, material extraño entre los contactos así como los métodos de prueba. El inciso 6.4.1 de la norma NEMA AB 4 dice que: La caída de milivolts en los polos de un interruptor puede variar considerablemente debido a la variedad inherente en la resistencia demasiado baja de los conectores y contactos eléctricos. Dichas variaciones no predicen necesariamente un funcionamiento inaceptable, por consiguiente, no deberán utilizarse como criterio único para determinar un funcionamiento aceptable.

La alta resistencia de los polos también puede ser causada por la erosión de los contactos, baja fuerza de los contactos y conexiones sueltas en las terminales. El único factor probablemente presente en un interruptor nuevo es conexiones sueltas en las terminales; como los contactos son nuevos y no han sido expuestos a presión entre ellos, no es posible que se hayan desviado de los ajustes de fábrica. Las conexiones sueltas en las terminales pueden ser corregidas en campo.

Si se realiza una prueba de resistencia a los contactos, es importante hacerlo después de que estos hayan sido acondicionados por las pruebas de inyección primaria instantánea para asegurarse de que los contactos estén libres de películas resistivas, oxidación y material extraño. Si el interruptor ha estado en servicio sin problemas de funcionamiento (sobrecalentamiento o disparos incorrectos), las mediciones de resistencia de los contactos son redundantes y de poco valor.

Square D recomienda el uso de un óhmetro digital de baja resistencia (DLRO, por sus siglas en inglés), una corriente de prueba de 10 A de CC para los interruptores de menos de 100 A, y una corriente de 100 A de CC para los interruptores de 100 A y de mayor valor nominal. Se debe registrar el valor medio (promedio) de las tres lecturas (articulación de la palanca del interruptor entre cada lectura) de cada polo probado. Si este valor es igual o menor que el valor indicado en Valor máximo de resistencia por polo en micro-ohms, página 20, el polo es aceptable. Si la lectura es mayor, se debe investigar la causa y corregir (si es posible). Póngase en contacto con la oficina local para obtener información.

Tabla 3 - Valor máximo de resistencia por polo en micro-ohms

Interruptor automático		Micro-ohms (u ohm)	Interruptor automático		Micro-ohms (u ohm)	Interruptor automático		Micro-ohms (u ohm)	Interruptor automático		Micro-ohms (u ohm)
Tipo	Valor nom.		Tipo	Valor nom.		Tipo	Valor nom.		Tipo	Valor nom.	
FA, FH, FC	15	38,400	KA, KH	70	3 420	MA, MH	125	1 970	LD, LG, LJ, LL, LR	250	630
	20	23 100		80	2 620		175	1 120		400	240
	25	14 800		90	2 390		200	890		600	160
	30	10 400		100	1 930		225	730	NSF, CG, CJ	16	35 000
	35	7 860		110	1 620		250	600		25	14 000
	40	6 010		125	1 250		300	425		32	7 000
	45	5 180		150	890		350	322		40	6 000
	50	4 190		175	680		400	246		50	4 000
	60	2 910		200	540		500	180		63	2 800
	70	2 340		225	430		600	140		80	1 700
	80	1 790		250	350		700	115		100	1 100
	90	1 430		110	1 620		800	96		NSJ	400
100	1 160	125	1 250	900	83	600	140				
		150	890	1 000	67	300	780				
FD, FG, FJ	15	34 700	KC, KI	175	680	HD, HG, HJ, HL, HR	15	35 000	MG, MJ	350	570
	20	19 500		200	540		20	23 000		400	440
	25	12 500		225	430		25	14 000		450	350
	30	9 550		250	350		30	10 400		500	280
	35	7 020		125	1 500		35	7 860		600	190
	40	6 800	150	1 200	40		6 010	700		140	
	45	5 780	LA, LH	175	980		45	5 180		800	110
	50	5 000		200	770		50	4 190		600	138
	60	4 120		225	610		60	2 910		700	131
	70	3 510							NA, NC		

Tabla 3 - Valor máximo de resistencia por polo en micro-ohms (Continuación)

Interruptor automático		Micro-ohms (u ohm)	Interruptor automático		Micro-ohms (u ohm)	Interruptor automático		Micro-ohms (u ohm)	Interruptor automático		Micro-ohms (u ohm)
Tipo	Valor nom.		Tipo	Valor nom.		Tipo	Valor nom.		Tipo	Valor nom.	
	80	3 170		250	510		70	2 340		800	105
	90	2 510		300	480		80	1 790		900	100
	100	2 260		350	330		90	1 430		1 000	82
	110	2 060		400	310		100	1 200		1 200	69
	125	1 800		300	589		110	1 160		600	132
FI	20	26 200	LI, LC	350	513	JD, JG, JJ, JL, JR	125	1 100	PA, PH, PC	700	123
	25	17 700		400	308		150	1 020		800	100
	30	12 300		450	310		150	890		1 000	77
	35	9 070		500	286		175	680		1 200	66
	40	7 330		600	209		200	600		1 400	61
	45	5 790					225	525		1 600	50
	50	4 930			250	450	1800	43			
	60	3 420					2 000	38			
	70	3 020					2 500	33			
	80	2 310					NSF, CG, CJ	16	35 000		
	90	1 980									
	100	1,600									

Desconexión de la prueba

Al completar la prueba:

- Desconecte todos los cables de prueba del interruptor.
- Realice una inspección visual de las conexiones para determinar si se ha causado daño durante la prueba.

Información adicional

Si necesita más información sobre los interruptores automáticos marca Square D, consulte el manual de instrucciones correspondiente. Estos manuales contienen las instrucciones de instalación, información de montaje, funciones de seguridad, diagramas de cableado y cuadros de diagnóstico de problemas para interruptores específicos.

Sección 4: Pruebas de rendimiento de los interruptores PowerPacT

Estas pruebas verifican el rendimiento de los interruptores automáticos de disparo electrónico PowerPacT™.

Pruebas de rendimiento

PELIGRO

PELIGRO DE DESCARGA ELÉCTRICA, EXPLOSIÓN O DESTELLO POR ARQUEO

- Utilice equipo de protección personal (EPP) apropiado y siga las prácticas de seguridad en trabajos eléctricos establecidas por su compañía. Consulte la norma 70E de NFPA o Z462 de CSA.
- Solamente el personal especializado en electricidad deberá instalar y prestar servicio de mantenimiento a este equipo.
- Desenergice todas las fuentes de alimentación del equipo antes de realizar cualquier trabajo dentro o fuera de él.
- Siempre utilice un dispositivo detector de tensión de valor nominal adecuado para confirmar que el equipo está apagado.
- Vuelva a colocar todos los dispositivos, las puertas y las cubiertas antes de encender este equipo.
- No toque las terminales del interruptor ni los conductores de prueba mientras se está probando el interruptor.

El incumplimiento de estas instrucciones tendrá como resultado la muerte o lesiones graves.

Realice las pruebas de rendimiento en el orden que figuran para maximizar la precisión de los resultados.

NOTA: Nunca realice la prueba de resistencia de los contactos antes de realizar la prueba de inyección primaria instantánea. La prueba de inyección primaria asegurará que los contactos estén libres de películas resistivas, oxidación y material extraño.

Las siguientes pruebas tienen como objetivo verificar que un interruptor esté funcionando correctamente. Las curvas de disparo características son establecidas bajo condiciones de prueba precisas controladas en la fábrica. Si los resultados de la prueba en campo caen fuera de la gama de tolerancia de la curva de disparo característica; con cuidado evalúe las condiciones de la prueba y los métodos utilizados para obtener precisión.

Si durante las pruebas de rendimiento e inspección los resultados o condiciones son cuestionables, póngase en contacto con la oficina local de ventas. Los interruptores con accesorios o modificaciones de fábrica pueden requerir atención especial. Si es necesario devolver un interruptor a la fábrica, utilice embalaje apropiado para evitar que se dañe durante el transporte.

Prueba de resistencia de aislamiento (prueba de rigidez dieléctrica)

AVISO

PELIGRO DE DAÑO AL EQUIPO

- Las pruebas de resistencia del aislamiento (pruebas de rigidez dieléctrica) pueden dañar las unidades de disparo MicroLogic™ 5.0/6.0P o 5.0/6.0H.
- Retire el calibrador de la unidad de disparo antes de realizar una prueba.
- Sustituya la unidad de disparo si no retiró el calibrador durante las pruebas o si ésta fue expuesta a más de 700 V~.

El incumplimiento de estas instrucciones podría provocar daños en el equipo.

Condiciones ambientales severas pueden reducir la fuerza dieléctrica de los interruptores automáticos en caja moldeada. Verifique la resistencia del aislamiento durante las pruebas del sistema dieléctrico. Para verificar la resistencia del aislamiento, realice los siguientes pasos:

1. Desenergice y aisle el interruptor automático.
2. Limpie el interruptor automático como se indicó anteriormente.
3. Empleando un megóhmetro con una capacidad de 500 a 1 000 VCC, aplique tensión de: a. Cada fase-a-tierra con el interruptor automático cerrado (contactos del interruptor cerrados). b. Fase a fase con el interruptor automático cerrado (contactos del interruptor cerrados). c. Entre cada terminal de línea y carga con el interruptor automático abierto (contactos del interruptor abiertos).
4. Anote los valores de resistencia. Los valores de resistencia de menos de 1 megohm (1 000 000 ohms) deberán revisarse.

NOTA: Las unidades de disparo MicroLogic 5.2E 5.3E, 6.2E, 6.3E tienen algo de fuga lo cual es normal debido a los circuitos internos para medición. Cuando se prueban sistemas con más de 10 interruptores automáticos empleando estas unidades de disparo, puede ser necesario abrir algunos de los interruptores automáticos en un momento para asegurarse de que todos los interruptores y el equipo estén en buen estado y que la resistencia de aislamiento se encuentra dentro de los límites aceptables.

Verificación de las unidades de disparo MicroLogic

En los interruptores automáticos con unidades de disparo MicroLogic™ es posible verificar el funcionamiento de la unidad de disparo realizando una prueba con inyección secundaria utilizando uno de los equipo de prueba disponibles. (Consulte Sección 6: Equipo de pruebas disponible, página 46 para los equipos de prueba disponibles por interruptor).

Las pruebas de inyección secundaria no prueban los transformadores de corriente ni las conexiones. Se recomienda realizar pruebas de inyección primaria para asegurarse de haber conectado correctamente el sistema de disparo.

Si el interruptor se prueba con el método de inyección primaria, el sistema Powerlogic™ puede permanecer conectado al interruptor durante la prueba sin afectar los resultados.

NOTA: La prueba de un interruptor conectado a un sistema PowerLogic hace que el sistema reaccione como si el interruptor mismo estuviese experimentando las fallas reales.

Procedimiento para anular el enclavamiento selectivo de zona

El enclavamiento selectivo de zona es un método de comunicación entre los dispositivos de protección contra sobrecorriente de disparo electrónico. El enclavamiento selectivo de zona permite a los dispositivos enclavados, en diferentes niveles, funcionar juntos como un sistema en el que un cortocircuito o falla a tierra es aislada y eliminada con un tiempo de retardo mínimo. El objetivo de la anulación de este enclavamiento es verificar las funciones de tiempo de retardo por falla a tierra y cortocircuito del interruptor específico.

Pruebas de inyección secundaria

La instalación en campo de una unidad de disparo requiere pruebas de inyección secundaria empleando un equipo de pruebas de amplias funciones para los interruptores automáticos Powerpact marcos P y R y un probador UTA para los interruptores automáticos Powerpact marcos H, J y L. Esto garantizará el funcionamiento correcto de la unidad de disparo recién instalada. Durante la prueba será necesario abrir y cerrar el interruptor. Siga los procedimientos detallados en los boletines de instrucciones incluidos con el interruptor y el equipo de pruebas de amplias funciones.

1. Asegúrese de que el interruptor esté aislado de todos los dispositivos de corriente ascendente y corriente descendente.
2. Realice las pruebas de inyección secundaria como se describe en el boletín de instrucciones incluido con el equipo de pruebas de amplias funciones o probador UTA. Asegúrese de que todas las funciones aplicables de la unidad de disparo funcionen correctamente.
3. Repita el paso 2 con el interruptor en la posición de abierto.

NOTA: El equipo de prueba indica que el interruptor debe estar cerrado al realizar la prueba. No cierre el interruptor para este paso.

4. Si falla alguna de las pruebas, no ponga el interruptor en servicio y comuníquese con la oficina local de ventas y solicite servicio autorizado de fábrica.

Prueba de inyección primaria

Se recomienda realizar pruebas de inyección primaria para asegurarse de haber conectado correctamente el sistema de disparo.

NOTA: Las pruebas de inyección secundaria siguen siendo el método preferido de Schneider Electric para probar los interruptores. Pruebas de inyección primaria inadecuadas pueden causar daños a los interruptores. Si no se lleva a cabo la prueba de inyección primaria de manera adecuada esto puede resultar en la aprobación de las pruebas de los interruptores, dañando la integridad del interruptor a la larga.

AVISO

PELIGRO DE DAÑO AL EQUIPO

Realice las conexiones en el interruptor cuidadosamente empleando cable de tamaño correcto y métodos de conexión apropiados. No utilice pinzas u otros métodos que puedan marcar o dañar el acabado de los conectores.

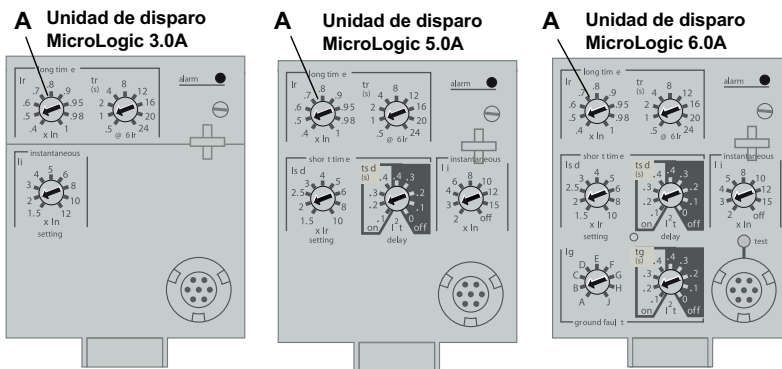
El incumplimiento de estas instrucciones podría provocar daños en el equipo.

1. Si realiza pruebas de inyección primaria en los interruptores fijos, conecte el interruptor a la fuente de alimentación empleando cable de tamaño correcto y un método de conexión apropiado.
2. Anote cada uno de los ajustes de los selectores en la unidad de disparo original. (Los ajustes deberán ser reconfigurados después de completar la prueba).

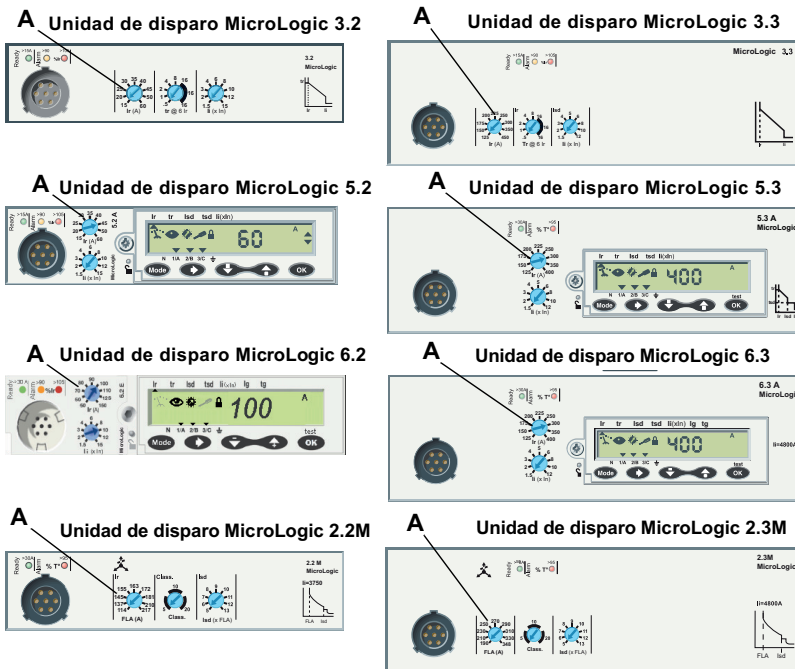
- Ajuste el selector de activación de tiempo largo (I_r) en el valor mínimo de la gama de ajustes.

Figura 1 - Activación de tiempo largo (I_r)

PowerPacT con marco en P y R



PowerPacT con marco en H, J y L



- Para las unidades de disparo por falla a tierra y/o enclavamiento selectivo de zona, utilice el equipo de pruebas para inhibir las funciones de falla a tierra y del enclavamiento selectivo de zona.
- Si se utiliza una fuente de alimentación auxiliar en la unidad de disparo MicroLogic, desconéctela.
- Localice la corriente de inyección primaria necesaria multiplicando el valor de la corriente de activación de tiempo largo (ajuste de activación de tiempo largo I_r x el sensor enchufable) x 125% (i.e. $I_r \times I_n \times 1,125$).
- Inyecte corriente primaria en la fase A y monitoree la luz indicadora de sobrecarga. Asegúrese de que se ilumine la luz indicadora (A) de sobrecarga dentro del 105% y 120% del valor $I_r \times I_n$.

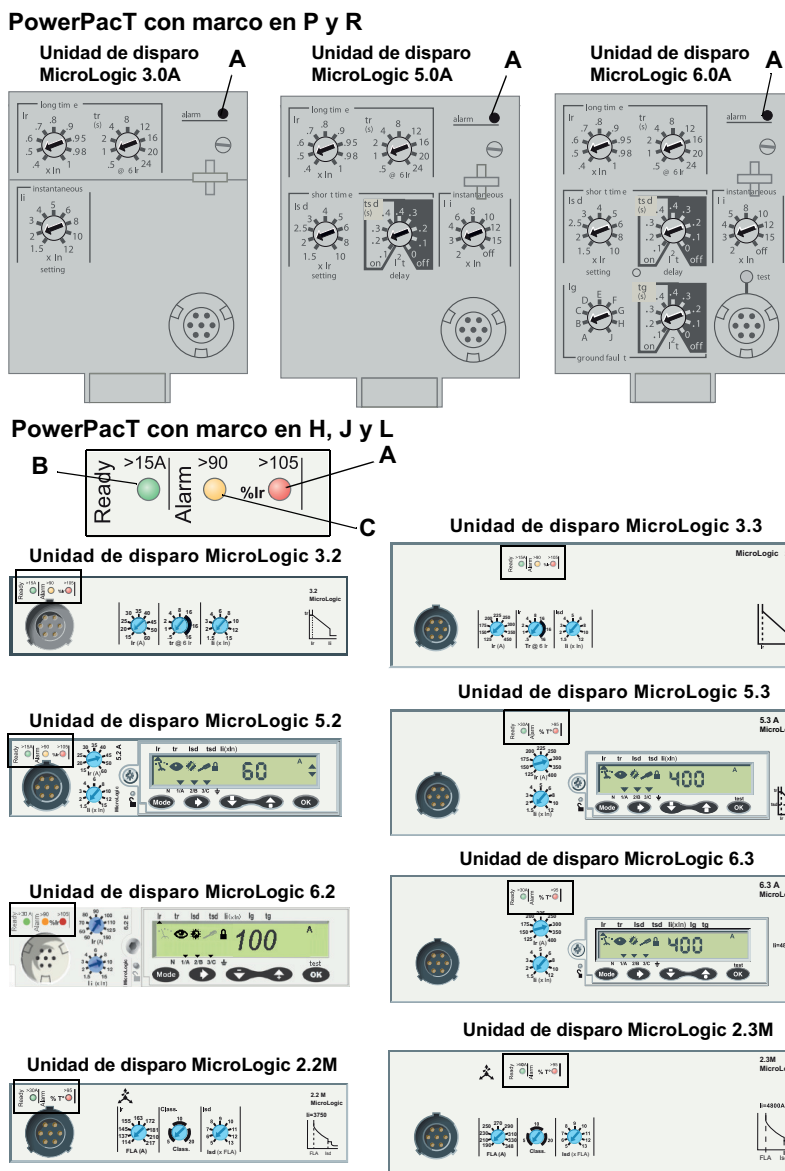
NOTA: En los interruptores automáticos marcos H, J y L:

El LED "Ready" verde (B) parpadea lentamente cuando la unidad de disparo electrónico está lista para brindar protección. Esto indica que la unidad de disparo está funcionando correctamente.

LED de pre-alarma de sobrecarga anaranjado (C): encendido continuamente cuando $I > 90\% I_r$

- LED de sobrecarga rojo (A): encendido continuamente cuando $I > 105\% I_r$
- Repita este paso para cada una de las fases y el neutro (según sea pertinente).
 - Si el indicador de sobrecarga no se ilumina correctamente, revise todas las conexiones de la unidad de disparo y la configuración de prueba. Si aún fallan las pruebas de inyección primaria de la unidad, comuníquese con la oficina de ventas local.

Figura 2 - Luz indicadora de sobrecarga



Interruptores con protección contra fallas a tierra integral

Los interruptores con disparo electrónico MicroLogic™ con la función integral de protección contra fallas a tierra requieren atención especial al probar las funciones de sobrecarga y cortocircuito. Las pruebas de inyección primaria de un polo para las funciones de sobrecorriente de tiempo inverso, tiempo corto e instantánea provocarán disparos de falla a tierra debido al trayecto de la corriente de retorno que no pasa por el interruptor. Para evitar esto, utilice el equipo de pruebas portátil o de amplias funciones para anular la función de falla a tierra en los interruptores automáticos PowerPact equipados con unidades de disparo MicroLogic.

Pruebas de indicación y protección contra fallas a tierra solamente para los sistemas radiales

PELIGRO

PELIGRO DE DESCARGA ELÉCTRICA, EXPLOSIÓN O DESTELLO POR ARQUEO

- Utilice equipo de protección personal (EPP) apropiado y siga las prácticas de seguridad en trabajos eléctricos establecidas por su compañía. Consulte la norma 70E de NFPA o Z462 de CSA.
- Solamente el personal especializado en electricidad deberá instalar y prestar servicio de mantenimiento a este equipo.
- Desenergice todas las fuentes de alimentación del equipo antes de realizar cualquier trabajo dentro o fuera de él.
- Siempre utilice un dispositivo detector de tensión de valor nominal adecuado para confirmar que el equipo está apagado.
- Vuelva a colocar todos los dispositivos, las puertas y las cubiertas antes de encender este equipo.

El incumplimiento de estas instrucciones tendrá como resultado la muerte o lesiones graves.

Prueba de disparo por falla de conexión a tierra

La función de falla a tierra de un interruptor con disparo electrónico MicroLogic™ proporciona protección contra fallas a tierra al equipo con valores de retardo y activación ajustables. La función de retardo de falla a tierra determina cuánto tiempo esperará el interruptor antes de iniciar una señal de disparo durante una falla a tierra. Las funciones de falla a tierra del interruptor pueden ser probadas empleando una fuente de alimentación de CA de baja tensión y alta corriente.

Procedimiento de prueba

1. Desenergice completamente el interruptor y retírelo del servicio.
2. Antes de la prueba, anote los ajustes de retardo y activación de todas las funciones. Ajuste la unidad de disparo en los mismos valores después de haber completado el procedimiento de prueba.
3. Si se prueba un interruptor equipado con enclavamiento selectivo de zona, siga el procedimiento para anular el enclavamiento selectivo de zona en [Procedimiento para anular el enclavamiento selectivo de zona, página 38](#). Si va a usar un equipo de pruebas de inyección secundaria para este procedimiento, lea y siga cuidadosamente las instrucciones del equipo de prueba sobre el enclavamiento selectivo de zona.

NOTA: Si no se anula el enclavamiento selectivo de zona se producirán inexactitudes en el tiempo de disparo.

4. Use estos ajustes para la prueba:
 - Activación de tiempo largo/Intensidad de la corriente = Máx.
 - Retardo de tiempo largo/sobrecarga = Máx
 - Retardo de tiempo corto/cortocircuito = Máx. (I^2t IN o ON)
 - Instantáneo = Máx.
 - Activación de la falla a tierra = Mín.
 - Retardo de falla a tierra = 0,2

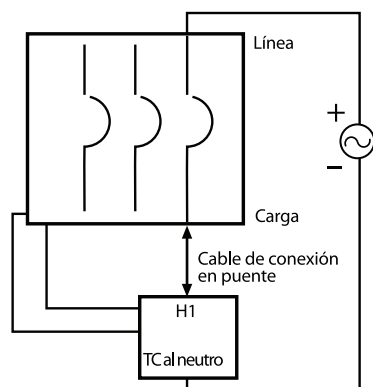
5. Siga el procedimiento de conexión apropiado para la aplicación de prueba.

Para los interruptores sin un transformador de corriente al neutro, vaya al paso 8.

Para los interruptores con la función integral de falla a tierra en un sistema de tres fases y cuatro hilos, se deberá usar un transformador de corriente (TC) al neutro montado en el exterior. El TC al neutro se conecta al interruptor mediante un cable con protección (se recomienda un cable de 2,1 mm² [14 AWG]).

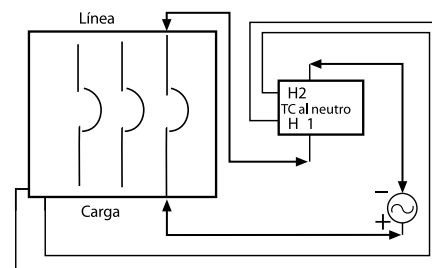
NOTA: Al realizar las pruebas, desconecte o desenergice la alimentación de control de 24 VCC en F1 y F2, si está equipado con ellas y desconecte el equipo de pruebas portátil y de amplias funciones de la unidad de disparo, si está conectado.

Figura 3 - Diagrama de conexión para la prueba de las fases del TC al neutro



Consulte el boletín de instrucciones incluido con el interruptor para realizar las conexiones al interruptor y TC al neutro.

Figura 4 - Diagrama de conexión para la prueba de tamaño del TC al neutro

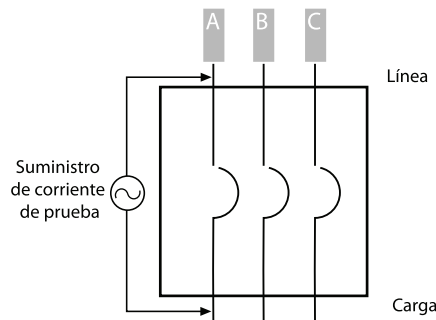
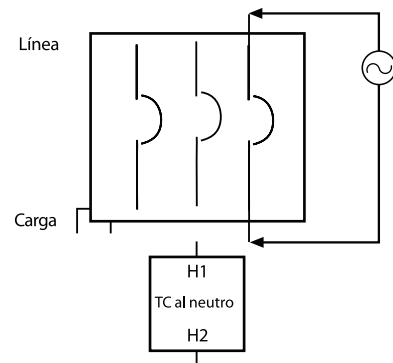


Consulte el boletín de instrucciones incluido con el interruptor para realizar las conexiones al interruptor y TC al neutro.

6. Verifique la conexión correcta de las fases del TC al neutro (sistemas de tres fases, cuatro hilos) realizando una prueba sin disparo de la siguiente manera:

- a. Conecte el interruptor y el TC al neutro como se indica en Diagrama de conexión para la prueba de las fases del TC al neutro, página 29. El puente deberá conectarse de la carga del interruptor a H1 en el TC al neutro (o el lado del TC al neutro que tiene el punto rojo). Conecte el secundario del TC al neutro según las instrucciones en el manual del interruptor o las instrucciones del TC al neutro.
- b. Aplique corriente por encima del nivel de activación de falla a tierra y sosténgalo durante un período mayor que el del retardo de falla a tierra.
- c. El interruptor no deberá dispararse. Si el interruptor no se dispara esto es una indicación de que ambos, el TC de fase y el TC al neutro, están correctamente en fase.

7.

Figura 5 - Diagrama de conexión de la prueba del interruptor sin TC al neutro**Figura 6 - Diagrama de conexión de la prueba de activación y retardo de falla de conexión a tierra**

Verifique el tamaño correcto del TC al neutro (sistemas de tres fases, cuatro hilos) realizando una prueba de disparo de la siguiente manera:

- a. Conecte el interruptor y el TC al neutro como se indica en Diagrama de conexión para la prueba de tamaño del TC al neutro, página 29. Conecte la terminal de polaridad (+) de la unidad de inyección de alta corriente al lado de carga del interruptor. El puente deberá conectarse de la línea en el interruptor a H1 en el TC al neutro (o el lado del TC al neutro que tiene el punto rojo). Conecte la terminal sin polaridad (-) de la unidad de inyección de alta corriente a H2 en el TC al neutro (en el lado de línea del interruptor). Conecte el secundario del TC al neutro según las instrucciones en el manual del interruptor o las instrucciones del TC al neutro.
- b. Aplique corriente.
- c. El interruptor se debe disparar a la mitad del valor de la activación de falla a tierra. Si el interruptor se dispara esto es una indicación de que ambos, el TC de fase y el TC al neutro, tienen la misma razón de vueltas (mismo tamaño).

8. Verifique la activación y el retardo de la falla a tierra realizando una prueba de disparo de la siguiente manera:
 - a. Conecte el interruptor como se indica en Diagrama de conexión de la prueba del interruptor sin TC al neutro, página 30, (sistemas trifásicos de tres hilos) o Diagrama de conexión de la prueba de activación y retardo de falla de conexión a tierra, página 30 (sistemas trifásicos de cuatro hilos).

NOTA: El método de prueba recomendado para la activación y retardo de falla a tierra es el de "impulso". Este método será el más preciso pero requiere que el equipo de pruebas cuente con un osciloscopio calibrado que almacene imágenes o un amperímetro digital de alta velocidad de muestreo. También se necesitará un temporizador de precisión para monitorear el tiempo de retardo.
 - b. Después de que el circuito ha sido conectado y cerrado correctamente, aplique corriente en impulsos cortos de 10 ciclos aproximadamente. Con el ajuste inicial del disparo esperado al 70%, aumente la corriente de cada impulso sucesivo hasta que el interruptor se dispare.
 - c. Vuelva a cerrar el interruptor y reduzca el nivel de la corriente, vuelva a pulsar para determinar si el nivel de activación encontrado fue excedido.
 - d. Repita los pasos b y c para aislar aun más el punto de activación.
 - e. Para determina el tiempo de retardo, pruebe cada polo del interruptor individualmente en el 150% del ajuste de activación de falla a tierra. Monitoree el tiempo a partir de este punto de activación hasta que se dispare el interruptor para obtener el tiempo de retardo.
 - f. Anote los valores de activación y retardo y compárelos con los resultados de la curva de disparo.

La prueba de falla a tierra también puede ser realizada usando pruebas de inyección secundaria con un equipo de pruebas de amplias funciones. Las pruebas de inyección secundaria no prueban los transformadores de corriente ni las conexiones.

Prueba de resistencia de los contactos

Las pruebas de resistencia de los polos del interruptor no son indicadores fiables del funcionamiento del interruptor ya que los valores de resistencia son afectados por varios factores transitorios incluyendo la oxidación en la superficie de los contactos, material extraño entre los contactos así como los métodos de prueba. El inciso 6.4.1 de la norma NEMA AB 4 dice que: La caída de milivolts en los polos de un interruptor puede variar considerablemente debido a la variedad inherente en la resistencia demasiado baja de los conectores y contactos eléctricos. Dichas variaciones no predicen necesariamente un funcionamiento inaceptable, por consiguiente, no deberán utilizarse como criterio único para determinar un funcionamiento aceptable.

La alta resistencia de los polos también puede ser causada por la erosión de los contactos, baja fuerza de los contactos y conexiones sueltas en las terminales. El único factor probablemente presente en un interruptor nuevo es conexiones sueltas en las terminales; como los contactos son nuevos y no han sido expuestos a presión entre ellos, no es posible que se hayan desviado de los ajustes de fábrica. Las conexiones sueltas en las terminales pueden ser corregidas en campo.

Si se realiza una prueba de resistencia a los contactos, es importante hacerlo después de que estos hayan sido acondicionados por las pruebas de inyección primaria instantánea para asegurarse de que los contactos estén libres de películas resistivas, oxidación y material extraño. Si el interruptor ha estado en servicio sin problemas de funcionamiento (sobrecalentamiento o disparos incorrectos), las mediciones de resistencia de los contactos son redundantes y de poco valor.

Square D recomienda el uso de un óhmetro digital de baja resistencia (DLRO, por sus siglas en inglés), una corriente de prueba de 10 A de CC para los interruptores de menos de 100 A, y una corriente de 100 A de CC para los interruptores de 100 A y de mayor valor nominal. Se debe registrar el valor medio (promedio) de las tres lecturas (articulación de la palanca del interruptor entre cada lectura) de cada polo probado. Si este valor es igual o menor que el valor

indicado en Valor máximo de resistencia por polo en micro-ohms, página 32, el polo es aceptable. Si la lectura es mayor, se debe investigar la causa y corregir (si es posible). Póngase en contacto con la oficina local para obtener información.

Tabla 4 - Valor máximo de resistencia por polo en micro-ohms

PowerPact		Micro-ohms (u ohm)
Tipo	Valor nom.	
HD, HG, HJ, HL, HR	60	1 500
	100	1 200
	150	600
JD, JG, JJ, JL, JR	250	450
LD, LG, LJ, LL, LR	250	630
	400	240
	600	160
DG, DJ, DL	400	240
	600	140
PG, PJ, PK, PL	250	488
	400	200
	600	114
	800	78
	1 000	55
	1 200	39
RG, RJ, RK, RL	600	106
	800	81
	1 000	63
	1 200	53
	1 600	50
	2 000	38
	2 500	33

Desconexión de la prueba

Al completar la prueba:

- Desconecte todos los cables de prueba del interruptor.
- Realice una inspección visual de las conexiones para determinar si se ha causado daño durante la prueba.
- Vuelva a ajustar el selector de activación de tiempo largo en el valor original que anotó anteriormente.
- Si se utiliza una fuente de alimentación auxiliar en la unidad de disparo MicroLogic, vuelva a conectarla.

Información adicional

Si necesita más información sobre los interruptores automáticos marca Square D, consulte el manual de instrucciones correspondiente. Estos manuales contienen las instrucciones de instalación, información de montaje, funciones de seguridad, diagramas de cableado y cuadros de diagnóstico de problemas para interruptores específicos.

Sección 5: Pruebas de rendimiento para los interruptores automáticos SE y LE/LX, ME/MX, PE/PX antiguos de disparo electrónico

Pruebas generales de rendimiento de los interruptores

PELIGRO

PELIGRO DE DESCARGA ELÉCTRICA, EXPLOSIÓN O DESTELLO POR ARQUEO

- Utilice equipo de protección personal (EPP) apropiado y siga las prácticas de seguridad en trabajos eléctricos establecidas por su compañía. Consulte la norma 70E de NFPA o Z462 de CSA.
- Solamente el personal especializado en electricidad deberá instalar y prestar servicio de mantenimiento a este equipo.
- Desenergice todas las fuentes de alimentación del equipo antes de realizar cualquier trabajo dentro o fuera de él.
- Siempre utilice un dispositivo detector de tensión de valor nominal adecuado para confirmar que el equipo está apagado.
- Vuelva a colocar todos los dispositivos, las puertas y las cubiertas antes de encender este equipo.
- No toque las terminales del interruptor ni los conductores de prueba mientras se está probando el interruptor.

El incumplimiento de estas instrucciones tendrá como resultado la muerte o lesiones graves.

Realice las pruebas de rendimiento en el orden que figuran para maximizar la precisión de los resultados.

NOTA: Nunca realice la prueba de resistencia de los contactos antes de realizar la prueba de inyección primaria instantánea. La prueba de inyección primaria asegurará que los contactos estén libres de películas resistivas, oxidación y material extraño.

Las siguientes pruebas tienen como objetivo verificar que un interruptor esté funcionando correctamente. Las curvas de disparo características son establecidas bajo condiciones de prueba precisas controladas en la fábrica. Si los resultados de la prueba en campo caen fuera de la gama de tolerancia de la curva de disparo característica; con cuidado evalúe las condiciones de la prueba y los métodos utilizados para obtener precisión.

Si durante las pruebas de rendimiento e inspección los resultados o condiciones son cuestionables, póngase en contacto con la oficina local de ventas. Los interruptores con accesorios o modificaciones de fábrica pueden requerir atención especial. Si es necesario devolver un interruptor a la fábrica, utilice embalaje apropiado para evitar que se dañe durante el transporte. Las instrucciones con respecto al reempaquetado han sido incluidas con el manual de instrucciones del interruptor.

AVISO

PELIGRO DE DAÑO AL EQUIPO

No aplique tensión de prueba a los circuitos de control ni a las terminales de accesorios, ya que se pueden dañar los componentes electrónicos y/o de baja tensión.

El incumplimiento de estas instrucciones podría provocar daños en el equipo.

Prueba de resistencia del aislamiento

Condiciones ambientales severas pueden reducir la fuerza dieléctrica de los interruptores automáticos en caja moldeada. Verifique la resistencia del aislamiento durante las pruebas del sistema dieléctrico.

Para verificar la resistencia del aislamiento, realice los siguientes pasos:

1. Desenergice y aisle el interruptor.
2. Limpie el interruptor automático como se indicó anteriormente.
3. Use un megóhmetro de una capacidad de 500 a 1 000 VCC y aplique tensión de:
 - a. Cada fase a tierra con el interruptor automático en "ON" (contactos del interruptor cerrados).
 - b. Fase a fase con el interruptor automático en "ON" (contactos del interruptor cerrados).
 - c. Entre cada terminal de línea y carga con el interruptor en "OFF" (contactos del interruptor abiertos).
4. Anote los valores de resistencia. Los valores de resistencia de menos de 1 megohm (1 000 000 ohms) deberán revisarse.

Pruebas de los interruptores con disparo electrónico MicroLogic™

AVISO

PELIGRO DE DAÑO AL EQUIPO

- Los interruptores son pesados y se pueden dañar si se manejan incorrectamente. Proceda con cuidado al manejar y transportar el interruptor para probar el equipo.
- Realice las conexiones en el interruptor cuidadosamente empleando cable de tamaño correcto y métodos de conexión apropiados. No utilice pinzas u otros métodos que puedan marcar o dañar el acabado de los conectores.

El incumplimiento de estas instrucciones podría provocar daños en el equipo.

Prueba del disparo de tiempo largo

La intensidad de corriente de largo tiempo define el nivel máximo de corriente que podrá llevar el interruptor continuamente. Los interruptores con disparo electrónico MicroLogic™ activan e inician la temporización cuando una corriente de fase excede $110\% \pm 10\%$ de la intensidad de la corriente. La función de retardo de largo tiempo permite variaciones de la función de retardo de tiempo inverso del interruptor. Este retardo determina cuánto tiempo el interruptor llevará una sobrecorriente sostenida antes de iniciar una señal de disparo. Las funciones de sobrecorriente de tiempo inverso del interruptor pueden ser probadas empleando una fuente de alimentación de CA de baja tensión y alta corriente.

1. Desenergice completamente el interruptor y retírelo del servicio.
2. Antes de la prueba, anote los ajustes de retardo y activación de todas las funciones. Importante: Ajuste la unidad de disparo en los mismos valores después de haber completado el procedimiento de prueba.
3. Si el interruptor MicroLogic tiene la función de protección integral contra fallos de conexión a tierra, consulte los procedimientos de prueba para interruptores con falla de conexión a tierra integral, *Interruptores con protección contra fallas a tierra integral*, página 38, antes de continuar con el procedimiento de prueba.

4. Use estos ajustes para la prueba:

Activación de tiempo largo/Intensidad de la corriente = Máx.

Retardo de tiempo largo/sobrecarga = Mín

Cortocircuito = Máximo.

Retardo de tiempo corto/cortocircuito = Máx. (I_{2t} IN o ON)

Instantáneo = Máx.

NOTA: El etiquetado y las funciones de la unidad de disparo son especificados por la serie y números de catálogo de los interruptores. La serie y números de catálogo vienen impresos en el interruptor.

5. Conecte el interruptor a una fuente de alimentación de CA de baja tensión y alta corriente. Conecte el interruptor a la fuente de alimentación de prueba con un conductor de longitud práctica.

6. Pruebe todas las fases del interruptor individualmente, o en pares, para los interruptores equipados con falla de conexión a tierra integral como se requiere en el procedimiento de prueba especial en Interruptores con protección contra fallas a tierra integral, página 38.

7. Utilice el método de prueba de “marcha” lenta para determinar el nivel de activación. Aumente lentamente la corriente hasta que destelle continuamente la luz indicadora de activación de tiempo largo, esto definirá el nivel de activación.

NOTA: Todos los interruptores con disparo electrónico MicroLogic vienen equipados con imágenes térmicas o memoria para los valores de sobrecarga/larga duración. La memoria de valores de sobrecarga/tiempo largo puede volverse a iniciar utilizando un módulo apropiado de restablecimiento de memoria. Póngase en contacto con la oficina local de ventas para obtener información adicional sobre los módulos de restablecimiento de memoria y equipos de prueba. Si no se usa un módulo de restablecimiento de memoria, espere 15 minutos como mínimo para que la memoria se borre y vuelva a ponerse en ceros antes de continuar con las pruebas.

8. Para determinar el tiempo de retardo, ajuste la corriente en el 300% del valor de intensidad de la corriente. Monitoree el tiempo a partir de este punto de activación hasta que se dispare el interruptor para obtener el tiempo de retardo.

9. Anote los valores de activación y retardo y compárelos con la curva de disparo apropiada.

La prueba de disparo de larga duración también puede realizarse con el equipo de prueba de inyección secundaria UTS3. Sin embargo, estos equipos de pruebas de inyección secundaria no prueban los transformadores de corriente ni las conexiones.

Prueba del disparo de tiempo corto

La función de activación de tiempo corto de un interruptor con disparo electrónico MicroLogic ajusta el nivel de corriente en el que la temporización de retardo de tiempo corto comienza. Los niveles de activación de tiempo corto son múltiplos del tamaño de sensor x los multiplicadores del calibrador. La función de retardo de tiempo corto determina cuánto tiempo el interruptor esperará antes de iniciar una señal de disparo durante un cortocircuito. Las funciones de tiempo corto del interruptor pueden ser probadas empleando una fuente de alimentación de CA de baja tensión y alta corriente.

1. Si se prueba un interruptor equipado con enclavamiento selectivo de zona, siga el Procedimiento para anular el enclavamiento selectivo de zona en Procedimiento para anular el enclavamiento selectivo de zona, página 38. Si va a usar un equipo de pruebas de inyección secundaria para este procedimiento, lea y siga cuidadosamente las instrucciones del equipo de prueba sobre el enclavamiento selectivo de zona.

NOTA: Si no se anula el enclavamiento selectivo de zona se producirán disparos sin retardo intencional.

2. Si la unidad de disparo MicroLogic está equipada con la función de protección integral contra fallas a tierra, consulte los procedimientos de prueba para el interruptor contra fallas de conexión a tierra integral, Interruptores con protección contra fallas a tierra integral, página 38, antes de continuar.
3. Los interruptores removibles SE con la función integral de protección contra fallas a tierra necesitan un enchufe adaptador (número de catálogo SEPITK2) cuando son completamente extraídos de su compartimiento. A través de este enchufe adaptador se realizan las conexiones en puente necesarias en el circuito secundario. Estas conexiones en puente se realizan normalmente cuando el interruptor se encuentra en la posición de conectado. Siga las instrucciones incluidas con el enchufe para asegurarse de usarlo correctamente.
4. Use estos ajustes para la prueba:
Activación de tiempo largo/Intensidad de la corriente = Máx.
Retardo de tiempo largo/sobrecarga = Máx.
Activación de tiempo corto/cortocircuito = Mín.
Retardo de tiempo corto/cortocircuito = Mín.
Instantáneo = Máx.

NOTA: Para las unidades de disparo LE serie 1B, ME serie 3, 4, 5, 5A, 5B, NE serie 1, 2, 3, 3A, 3B, PE serie 4, 5, 6, 6A, 6B, y SE serie 2, 3, 3A, 3B, el ajuste mínimo de tiempo corto/cortocircuito será de 0,1 I_{2t} OUT.

5. Conecte el interruptor a la fuente de alimentación de prueba con un conductor de longitud práctica.
6. En los interruptores sin protección contra fallas a tierra, pruebe todos sus polos individualmente. Para los interruptores contra falla a tierra integral, pruebe cada polo del interruptor como se indica en el procedimiento de prueba especial en Interruptores con protección contra fallas a tierra integral, página 38.
7. Prueba del activación de tiempo corto
Una vez que el interruptor esté correctamente conectado, inyecte la fase bajo prueba con un valor de corriente un poco más bajo que el valor mínimo de activación indicado por la curva de disparo. La duración de la corriente de prueba debe exceder el tiempo de retardo esperado (determinado por la curva de disparo). El interruptor no deberá dispararse. Repita la prueba utilizando el valor máximo de activación indicado por la curva de disparo. El interruptor deberá dispararse, lo cual indica que el nivel de activación es aceptable. Si el interruptor no se dispara dentro del tiempo esperado, termine la prueba para evitar daño térmico al interruptor. Si desea obtener un valor de activación preciso, repita la prueba en los niveles de corriente entre el máximo y mínimo. El valor de corriente más bajo en el que se dispara el interruptor es el valor de activación.
8. Prueba del retardo de tiempo corto
Después de que el interruptor ha sido conectado correctamente, aplique corriente al 150% del valor nominal de activación de tiempo corto. El interruptor deberá dispararse dentro de los límites de tiempo definidos por la curva de disparo. Si el interruptor no se dispara dentro de los límites de tiempo esperado, desconecte la fuente de alimentación para evitar daño térmico al interruptor.

NOTA: Todos los interruptores con disparo electrónico MicroLogic vienen equipados con imágenes térmicas o memoria para los valores de sobrecarga/tiempo largo. Los impulsos de sobrecorriente utilizados para probar el retardo y activación de tiempo corto deberán agregarse a la memoria. Si el interruptor se dispara en un valor inferior a la corriente esperada, después de varios impulsos de sobrecorriente, es posible que se esté disparando con la función de tiempo largo. La memoria de larga duración/sobrecarga puede restablecerse mediante el módulo de restablecimiento de memoria correspondiente. Si no se usa un módulo de restablecimiento de memoria, espere 15 minutos como mínimo para que la memoria se borre y vuelva a ponerse en ceros antes de continuar con las pruebas.

La prueba de disparo de corta duración también puede realizarse con el equipo de prueba de inyección secundaria UTS3. Sin embargo, estos equipos de pruebas de inyección secundaria no prueban los transformadores de corriente ni las conexiones.

Prueba del disparo instantáneo

La función de disparo instantáneo de un interruptor con disparo electrónico MicroLogic determina el nivel de corriente en el que el interruptor se dispara sin retardo intencional. La función de disparo instantáneo del interruptor puede ser probada empleando una fuente de alimentación de CA de baja tensión y alta corriente.

1. Si el interruptor MicroLogic está equipado con la función de protección integral contra fallas a tierra, consulte los procedimientos de prueba para el interruptor contra fallas de conexión a tierra integral, *Interruptores con protección contra fallas a tierra integral*, página 38, antes de continuar.
2. En los interruptores sin protección contra fallas a tierra, pruebe todos sus polos individualmente. Para los interruptores con la función contra fallas de conexión a tierra integral, pruebe cada polo del interruptor como se indica en el procedimiento de prueba especial en *Interruptores con protección contra fallas a tierra integral*, página 38.
3. Después de que el interruptor automático ha sido conectado y ajustado correctamente, aplique corriente en impulsos de 10 ciclos aproximadamente. Con el ajuste inicial del disparo esperado al 70%, aumente la corriente de cada impulso sucesivo hasta que el interruptor se dispara.

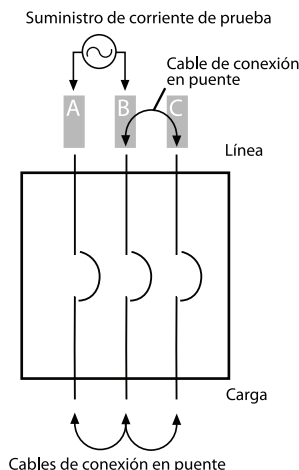
NOTA: Todos los interruptores con disparo electrónico MicroLogic vienen equipados con imágenes térmicas o memoria para los valores de sobrecarga/tiempo largo. Los impulsos de sobrecorriente utilizados para probar el retardo y activación de tiempo corto deberán agregarse a la memoria. Si el interruptor se dispara en un valor inferior a la corriente esperada, después de varios impulsos de sobrecorriente, es posible que se esté disparando con la función de tiempo largo. La memoria de valores de sobrecarga/tiempo largo puede volverse a iniciar utilizando un módulo apropiado de restablecimiento de memoria. Si no se usa un módulo de restablecimiento de memoria, espere 15 minutos como mínimo para que la memoria se borre y vuelva a ponerse en ceros antes de continuar con las pruebas.

4. Compare el valor de activación con la curva de disparo del interruptor que se está probando.

La prueba de disparo instantáneo también se puede hacer utilizando el equipo de pruebas de inyección secundaria UTS-3. Sin embargo, estos equipos de pruebas de inyección secundaria no prueban los transformadores de corriente ni las conexiones.

Interruptores con protección contra fallas a tierra integral

Figura 7 - Procedimientos especiales de prueba de sobrecarga y cortocircuito



Los interruptores con disparo electrónico MicroLogic™ con la función integral de protección contra fallas a tierra requieren atención especial al probar las funciones de sobrecarga y cortocircuito. Las pruebas de inyección primaria de un polo para las funciones de sobrecorriente de tiempo inverso, tiempo corto e instantánea provocarán disparos de falla a tierra debido al trayecto de la corriente de retorno que no pasa por el interruptor. Para evitar esto, emplee el método de bucle para los interruptores con unidad de disparo MicroLogic con la función integral de falla a tierra.

Método de bucle:

El bucle de la corriente como se muestra en Procedimientos especiales de prueba de sobrecarga y cortocircuito, página 38 equilibra la cantidad de corriente que entra y sale del interruptor. Esto, de hecho, elimina los disparos por falla a tierra al mantener equilibrado el transformador de falla a tierra interno. La verificación de polos sucesivos se puede llevar a cabo variando las conexiones (bucle AC, AB, BC).

Excepciones:

En los interruptores fijos SE, conecte las terminales 16, 17, 18 y 19 juntas para anular la falla a tierra con el fin de realizar la prueba. En los interruptores removibles SE, utilice el enchufe adaptador SEPITK2 para realizar las conexiones necesarias.

Procedimiento para los interruptores que se utilizan con los sistemas PowerLogic

Los interruptores LE, ME, NE, PE y SE conectados a un sistema PowerLogic™ se conectan a través de un adaptador de comunicaciones (número de catálogo CIM3F). Si el interruptor se prueba con el método de inyección primaria, el sistema PowerLogic puede permanecer conectado al interruptor durante la prueba sin afectar los resultados.

NOTA: La prueba de un interruptor conectado a un sistema PowerLogic hace que el sistema reaccione como si el interruptor mismo estuviese experimentando las fallas reales.

Al realizar la prueba de inyección secundaria utilizando el equipo de pruebas UTS3, el sistema PowerLogic debe ser desconectado del interruptor. Esto se lleva a cabo desconectando el enchufe de 4 espigas en el adaptador. El equipo de pruebas indicará si falló la prueba cuando el sistema PowerLogic se ha dejado conectado durante la prueba. Después de la prueba, vuelva a conectar el enchufe de 4 espigas al adaptador. Siga las instrucciones correspondientes a la versión de software PowerLogic que está instalada en el sistema para verificar el restablecimiento de comunicación con el interruptor.

Procedimiento para anular el enclavamiento selectivo de zona

El enclavamiento selectivo de zona es un método de comunicación entre los dispositivos de protección contra sobrecorriente de disparo electrónico. El enclavamiento selectivo de zona permite a los dispositivos enclavados, en diferentes niveles, funcionar juntos como un sistema en el que un cortocircuito o falla a tierra es aislada y eliminada con un tiempo de retardo mínimo. El objetivo de este enclavamiento es verificar las funciones de tiempo de retardo por falla a tierra y cortocircuito del interruptor específico. Esto se lleva a cabo desconectando los cables de restricción e instalando los puentes de conexión necesarios. Esto auto-restringe el interruptor que se está probando. Etiquete los cables de restricción antes de desconectarlos.

Ajustes de auto-restricción, página 39 resume las instrucciones de auto-restricción (puentes) para cada uno de los interruptores MicroLogic. Utilice cables de tamaño 1–2,1 mm² (14–18 AWG).

Tabla 5 - Ajustes de auto-restricción

Interruptor tipo/Unidad de disparo serie	Función (ST o GF)	Terminal de conexión (restricción IN)	Al terminal (restricción OUT)
LE 1B	Tiempo corto (ST)	#5	#6
LE 1B	Falla a tierra GF)	#7	#8
ME 3	Ambos	Conductor violeta	Conductor violeta
ME 4, 5, 5A, 5B	Tiempo corto (ST)	#5	#6
ME 4, 5, 5A, 5B	Falla a tierra GF)	#7	#8
NE 1	Ambos	#6	#7
NE 2, 3, 3A, 3B	Tiempo corto (ST)	#5	#6
NE 2, 3, 3A, 3B	Falla a tierra GF)	#7	#8
PE 4	Ambos	#6	#7
PE 5, 6, 6A, 6B	Tiempo corto (ST)	#5	#6
PE 5, 6, 6A, 6B	Falla a tierra GF)	#7	#8
SE 2, 3, 3A, 3B (fijo y extraíble)	Ambos	#23	#24
SE 2, 3, 3A, 3B (fijo y extraíble)	Falla a tierra GF)	#20	#21
SE extraíble (totalmente extraído de la plataforma)	Ambos	Utilice SEPTIK2 (consulte Equipo de pruebas de inyección primaria, página 46)	Utilice SEPTIK2 (consulte Equipo de pruebas de inyección primaria, página 46)

NOTA: Si se han instalado los puentes de conexión de auto-restricción para anular el enclavamiento selectivo de zona con el fin de realizar las pruebas, retire los puentes una vez que haya completado la prueba. Cualquier cable de restricción que haya sido desconectado para realizar la prueba deberá volverse a conectar en este momento.

Pruebas de indicación y protección contra fallas a tierra solamente para los sistemas radiales

PELIGRO

PELIGRO DE DESCARGA ELÉCTRICA, EXPLOSIÓN O DESTELLO POR ARQUEO

- Utilice equipo de protección personal (EPP) apropiado y siga las prácticas de seguridad en trabajos eléctricos establecidas por su compañía Consulte la norma 70E de NFPA o Z462 de CSA.
- Solamente el personal especializado en electricidad deberá instalar y prestar servicio de mantenimiento a este equipo.
- Desenergice todas las fuentes de alimentación del equipo antes de realizar cualquier trabajo dentro o fuera de él.
- Siempre utilice un dispositivo detector de tensión de valor nominal adecuado para confirmar que el equipo está apagado.
- Vuelva a colocar todos los dispositivos, las puertas y las cubiertas antes de encender este equipo.

El incumplimiento de estas instrucciones tendrá como resultado la muerte o lesiones graves.

Prueba de disparo por falla de conexión a tierra

La función de falla a tierra de un interruptor con disparo electrónico MicroLogic™ proporciona protección contra fallas a tierra al equipo con valores de retardo y activación ajustables. La función de retardo de falla a tierra determina cuánto tiempo esperará el interruptor antes de iniciar una señal de disparo durante una falla a tierra. Las funciones de falla a tierra del interruptor pueden ser probadas empleando una fuente de alimentación de CA de baja tensión y alta corriente.

Los interruptores removibles SE con la función integral de protección contra fallas a tierra necesitan un enchufe adaptador (número de catálogo SEPITK2 de Square D) cuando son completamente extraídos de su compartimiento. A través de este enchufe adaptador se realizan las conexiones en puente necesarias en el circuito secundario. Estas conexiones en puente se realizan normalmente cuando el interruptor se encuentra en la posición de conectado. Siga las instrucciones incluidas con el enchufe adaptador para asegurarse de usarlo correctamente.

Procedimiento de prueba

1. Desenergice completamente el interruptor y retírelo del servicio.
2. Antes de la prueba, anote los ajustes de retardo y activación de todas las funciones. Ajuste la unidad de disparo en los mismos valores después de haber completado el procedimiento de prueba.
3. Si se prueba un interruptor equipado con enclavamiento selectivo de zona, siga el procedimiento para anular el enclavamiento selectivo de zona en [Procedimiento para anular el enclavamiento selectivo de zona, página 38](#). Si va a usar un equipo de pruebas de inyección secundaria para este procedimiento, lea y siga cuidadosamente las instrucciones del equipo de prueba sobre el enclavamiento selectivo de zona.

NOTA: Si no se anula el enclavamiento selectivo de zona se producirán inexactitudes en el tiempo de disparo.

4. Use estos ajustes para la prueba:

Activación de tiempo largo/Intensidad de la corriente = Máx.

Retardo de tiempo largo/sobrecarga = Máx

Retardo de tiempo corto/cortocircuito = Máx. (I²t IN o ON)

Instantáneo = Máx.

Activación de la falla a tierra = Mín.

Retardo de falla a tierra = Mín. (I²t OUT de OFF)

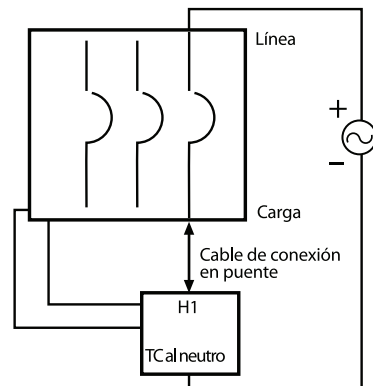
NOTA: No utilice el ajuste INSTANT para el retardo de falla a tierra. En los interruptores SE serie 2, utilice el ajuste "2" para el retardo de falla a tierra.

5. Siga el procedimiento de conexión apropiado para la aplicación de prueba.

Para los interruptores sin un transformador de corriente al neutro, vaya al paso 8.

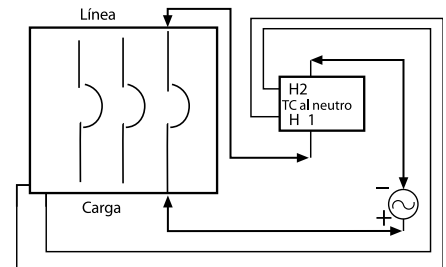
Para los interruptores con la función integral de falla a tierra en un sistema de tres fases y cuatro hilos, se deberá usar un transformador de corriente (TC) al neutro montado en el exterior. El TC al neutro se conecta al interruptor mediante un cable con protección (se remienda el uso de un cable de 2,5 mm [14 AWG]).

Figura 8 - Diagrama de conexión para la prueba de las fases del TC al neutro



Consulte el boletín de instrucciones incluido con el interruptor para realizar las conexiones al interruptor y TC al neutro.

Figura 9 - Diagrama de conexión para la prueba de tamaño del TC al neutro



Consulte el boletín de instrucciones incluido con el interruptor para realizar las conexiones al interruptor y TC al neutro.

6. Verifique la conexión correcta de las fases del TC al neutro (sistemas de tres fases, cuatro hilos) realizando una prueba sin disparo de la siguiente manera:
 - a. Conecte el interruptor y el TC al neutro como se indica en Diagrama de conexión para la prueba de las fases del TC al neutro, página 41. El puente deberá conectarse de la carga del interruptor a H1 en el TC al neutro (o el lado del TC al neutro que tiene el punto rojo). Conecte el secundario del TC al neutro según las instrucciones en el manual del interruptor o las instrucciones del TC al neutro.
 - b. Aplique corriente por encima del nivel de activación de falla a tierra y sosténgalo durante un período mayor que el del retardo de falla a tierra.
 - c. El interruptor no deberá dispararse. Si el interruptor no se dispara esto es una indicación de que ambos, el TC de fase y el TC al neutro, están correctamente en fase.

Figura 10 - Diagrama de conexión de la prueba del interruptor sin TC al neutro

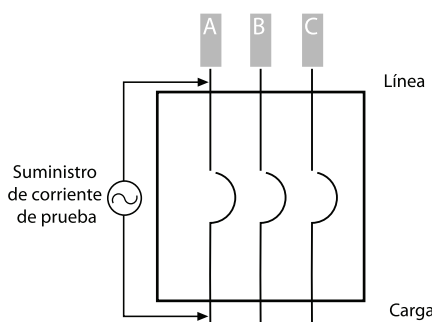
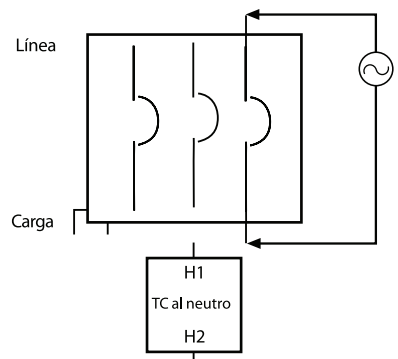


Figura 11 - Diagrama de conexión de la prueba de activación y retardo de falla de conexión a tierra



7. Verifique el tamaño correcto del TC al neutro (sistemas de tres fases, cuatro hilos) realizando una prueba de disparo de la siguiente manera:
 - a. Conecte el interruptor y el TC al neutro como se indica en Diagrama de conexión para la prueba de tamaño del TC al neutro, página 41. Conecte la terminal de polaridad (+) de la unidad de inyección de alta corriente al lado de carga del interruptor. El puente deberá conectarse de la línea en el interruptor a H1 en el TC al neutro (o el lado del TC al neutro que tiene el punto rojo). Conecte la terminal sin polaridad (-) de la unidad de inyección de alta corriente a H2 en el TC al neutro (en el lado de línea del interruptor). Conecte el secundario del TC al neutro según las instrucciones en el manual del interruptor o las instrucciones del TC al neutro.
 - b. Aplique corriente.
 - c. El interruptor se debe disparar a la mitad del valor de la activación de falla a tierra. Si el interruptor se dispara esto es una indicación de que ambos, el TC de fase y el TC al neutro, tienen la misma razón de vueltas (mismo tamaño).

8. Verifique la activación y el retardo de la falla a tierra realizando una prueba de disparo de la siguiente manera:
 - a. Conecte el interruptor como se indica en Diagrama de conexión de la prueba del interruptor sin TC al neutro, página 42, (sistemas trifásicos de tres hilos) o Diagrama de conexión de la prueba de activación y retardo de falla de conexión a tierra, página 42o (sistemas trifásicos de cuatro hilos).
 - b. Después de que el circuito ha sido conectado y cerrado correctamente, aplique corriente en impulsos cortos de 10 ciclos aproximadamente. Con el ajuste inicial del disparo esperado al 70%, aumente la corriente de cada impulso sucesivo hasta que el interruptor se dispare.
 - c. Vuelva a cerrar el interruptor y reduzca el nivel de la corriente, vuelva a pulsar para determinar si el nivel de activación encontrado fue excedido.
 - d. Repita los pasos b y c para aislar aun más el punto de activación.
 - e. Para determina el tiempo de retardo, pruebe cada polo del interruptor individualmente en el 150% del ajuste de activación de falla a tierra. Monitoree el tiempo a partir de este punto de activación hasta que se dispare el interruptor para obtener el tiempo de retardo.
 - f. Anote los valores de activación y retardo y compárelos con los resultados de la curva de disparo.

La prueba de falla de conexión a tierra también puede realizarse con el equipo de prueba de inyección secundaria UTS3. Sin embargo, estos equipos de pruebas de inyección secundaria no prueban los transformadores de corriente ni las conexiones.

Prueba para la alarma de falla a tierra solamente: Interruptores LE, ME, NE, PE y SE

Todos los interruptores LE, ME, NE, PE y SE con la función de alarma de falla a tierra vienen equipados con la función integral de prueba de falla a tierra. Se necesita una fuente de alimentación de 120 V para hacer funcionar la función integral de prueba. Los circuitos de prueba simulan una falla a tierra cuando se oprime el botón de prueba situado en el frente del interruptor. El amperímetro en el interruptor indicará un valor de corriente mientras se oprima el botón de prueba.

NOTA: La alarma de falla a tierra no disparará ni indicará un disparo cuando se oprime el botón de prueba del interruptor.

Cuando se conecta a un sistema Powerlogic a través de un adaptador de comunicaciones (número de catálogo CIM3F de Square D), el sistema Powerlogic indicará un valor de corriente de falla a tierra mientras se oprima el botón de prueba. El sistema Powerlogic indica una condición de alarma si se oprime el botón de prueba durante dos segundos. El interruptor tarda un máximo de un segundo para comunicar una condición de alarma. El sistema Powerlogic actualiza la condición solamente con la frecuencia de tiempo de exploración definida en el sistema.

Las instrucciones para la prueba de disparo por fallo de conexión a tierra, Prueba de disparo por falla de conexión a tierra, pueden aplicarse a los interruptores de alarma por falla a tierra solamente con las siguientes excepciones:

- A. Interruptores con alarma de falla a tierra solamente que no estén equipados con la función de retardo o disparo. Por consiguiente, el equipo de pruebas universal (UTS-3) no mostrará ningún valor.
- B. El enclavamiento selectivo de zona de falla a tierra no está disponible en los interruptores con alarma de falla a tierra solamente.
- C. Si se usa el método de impulso, la señal de impulso deberá durar lo suficiente para que el sistema Powerlogic reconozca la condición de alarma.

Al realizar la prueba de inyección secundaria utilizando el equipo de pruebas UTS3, el sistema Powerlogic debe ser desconectado del interruptor. Para desconectar el interruptor del sistema Powerlogic, desconecte el enchufe de 4 espigas en el adaptador. El equipo de pruebas indicará que el interruptor falló la prueba cuando el sistema Powerlogic permanece conectado durante la prueba. Después de la prueba, vuelva a conectar el enchufe de 4 espigas al adaptador. Siga las instrucciones correspondientes a la versión de software Powerlogic que

está instalada en el sistema para verificar el restablecimiento de comunicación con el interruptor.

NOTA: La prueba de un interruptor conectado a un sistema PowerLogic hace que el sistema reaccione como si el interruptor mismo estuviese experimentando las fallas reales.

Tabla 6 - Valor máximo de resistencia por polo en micro-ohms

Interruptor automático		Micro-ohms (u ohm)	Interruptor automático		Micro-ohms (u ohm)
Tipo	Valor nom.		Tipo	Valor nom.	
LE, LX	300	477	NE, NX	600	112
	350	416		700	106
	400	250		800	85
	450	310		900	81
	500	286		1 000	66
	600	169		1 200	56
ME, MX	125	1,600	PE, PX	600	106
	150	1 500		700	100
	175	914		800	81
	200	725		1 000	63
	225	593		1 200	53
	250	488		1 400	49
	300	344		1 600	41
	350	261		1800	35
	400	200		2 000	31
	450	146		2 500	33
	500	114	PE, PX	600	106
	600	94		700	100
	700	78		800	81
	800	68		1 000	63
			1 200	53	

Prueba de resistencia de los contactos

Las pruebas de resistencia de los polos del interruptor no son indicadores fiables del funcionamiento del interruptor ya que los valores de resistencia son afectados por varios factores transitorios incluyendo la oxidación en la superficie de los contactos, material extraño entre los contactos así como los métodos de prueba. El inciso 6.4.1 de la norma NEMA AB 4 dice que: La caída de milivolts en los polos de un interruptor puede variar considerablemente debido a la variedad inherente en la resistencia demasiado baja de los conectores y contactos eléctricos. Dichas variaciones no predicen necesariamente un funcionamiento inaceptable, por consiguiente, no deberán utilizarse como criterio único para determinar un funcionamiento aceptable.

La alta resistencia de los polos también puede ser causada por la erosión de los contactos, baja fuerza de los contactos y conexiones sueltas en las terminales. El único factor probablemente presente en un interruptor nuevo es conexiones sueltas en las terminales; como los contactos son nuevos y no han sido expuestos a presión entre ellos, no es posible que se hayan desviado de los ajustes de fábrica. Las conexiones sueltas en las terminales pueden ser corregidas en campo.

Si se realiza una prueba de resistencia a los contactos, es importante hacerlo después de que estos hayan sido acondicionados por las pruebas de inyección primaria instantánea para asegurarse de que los contactos estén libres de películas resistivas, oxidación y material extraño. Si el interruptor ha estado en servicio sin problemas de funcionamiento (sobrecalentamiento o disparos

incorrectos), las mediciones de resistencia de los contactos son redundantes y de poco valor.

Square D recomienda el uso de un óhmetro digital de baja resistencia (DLRO, por sus siglas en inglés), una corriente de prueba de 10 A de CC para los interruptores de menos de 100 A, y una corriente de 100 A de CC para los interruptores de 100 A y de mayor valor nominal. Se debe registrar el valor medio (promedio) de las tres lecturas (articulación de la palanca del interruptor entre cada lectura) de cada polo probado. Si este valor es igual o menor que el valor indicado en *Valor máximo de resistencia por polo en micro-ohms*, página 44, el polo es aceptable. Si la lectura es mayor, se debe investigar la causa y corregir (si es posible). Póngase en contacto con la oficina local para obtener información.

Desconexión de la prueba

Al completar la prueba:

- Desconecte todos los cables de prueba del interruptor.
- Realice una inspección visual de las conexiones para determinar si se ha causado daño durante la prueba.
- Vuelva a ajustar el selector de activación de tiempo largo en el valor original que anotó anteriormente.
- Si se utiliza una fuente de alimentación auxiliar en la unidad de disparo MicroLogic, vuelva a conectarla.

Información adicional

Si necesita más información sobre los interruptores automáticos marca Square D, consulte el manual de instrucciones correspondiente. Estos manuales contienen las instrucciones de instalación, información de montaje, funciones de seguridad, diagramas de cableado y cuadros de diagnóstico de problemas para interruptores específicos.

Sección 6: Equipo de pruebas disponible

Equipo de pruebas para los interruptores con marcos en L, M, N, P y S y unidades de disparo MicroLogic

Equipo de medición de corriente

Los medidores de corriente (números de catálogo ALAM y ALAMP) ofrecen funciones de medición de corriente en tiempo real y, si el interruptor se dispara, estos medidores indican el tipo de disparo:

- Sobrecarga
- Cortocircuito
- Falla a tierra

El medidor de corriente proporciona un medio sencillo de diagnosticar problemas provocados por un disparo, y viene instalado en los interruptores que incluyen todas las funciones (LE, ME, NE, PE y SE). El medidor de corriente proporciona asistencia en línea sobre:

- Identificación de fases sobrecargadas o desequilibradas
- Definición del nivel de la corriente de falla a tierra que circula en el circuito.

El equipo ALAM se usa en todos los interruptores marcos L, M, N y S con unidad de disparo MicroLogic™. El equipo ALAMP se usa en todos los interruptores con marco P con unidad de disparo electrónico MicroLogic, y su diferencia se debe a la orientación de la cavidad de la unidad de disparo.

Módulo de restablecimiento de memoria

Los módulos de restablecimiento de memoria (números de catálogo MTMB, MTM2 y MTM3) se usan para reiniciar los valores de la memoria de tiempo largo en los interruptores con unidad de disparo MicroLogic. Esto permite realizar la prueba de inyección primaria del interruptor de manera más rápida.

- El módulo MTMB se usa en las unidades de disparo electrónico MicroLogic serie B.
- El módulo MTM3 se usa en las unidades de disparo MicroLogic serie 3.
- El módulo MTM2 se usa en los interruptores SE serie 2 con unidades de disparo electrónico.

Equipo de pruebas de inyección primaria

Los equipos de enchufe adaptador (número de catálogo SEPITK1 y SEPITK2) emplean puentes de conexión en ciertas terminales para conectar correctamente los cables de detección secundaria en los interruptores removibles SE. El equipo de pruebas SEPITK1 se usa en los interruptores SED serie 1; el equipo de pruebas SEPITK2 se usa con los interruptores SED serie 2 y posteriores.

Equipo de pruebas universal

El equipo de pruebas universal opcional (número de catálogo UST3) es un sistema basado en microprocesador y se usa para probar los interruptores LE, LX, LXI, ME, MX, NE, NX, PE, PX y SE con unidades de disparo MicroLogic. Este equipo probará completamente cada función de la unidad de disparo. El equipo de pruebas universal es un probador de inyección secundaria y no toma en consideración las tolerancias del transformador de corriente.

El equipo UTS-3 incluye:

- El módulo de pruebas para las unidades de disparo MicroLogic estándar y de amplias funciones, serie B.
- Un módulo de auto-prueba
- Un cordón para la alimentación
- Un cable de cinta
- Un manual de instrucciones

Equipo de pruebas para los interruptores automáticos PowerPact™ P/R con unidades de disparo electrónico MicroLogic

Equipo de pruebas de amplias funciones

El equipo de pruebas de amplias funciones es un sistema basado en un microprocesador usado para probar los interruptores automáticos ComPacT™ NSJ y PowerPact™ con unidades de disparo electrónico MicroLogic. El equipo de pruebas de amplias funciones es un probador de inyección secundaria y no prueba los transformadores de corriente ni las conexiones..

El equipo de pruebas de amplias funciones ha sido diseñado como una unidad de pruebas independiente, sin embargo, también se puede usar junto con una computadora personal. El equipo de pruebas de amplias funciones por sí solo realiza las siguientes pruebas:

- Verificar las funciones de protección (LSIG)
- Cumplir con la curva de disparo
- Pruebas eléctricas y mecánicas del sistema de disparo
- Pruebas del enclavamiento selectivo de zona
- Inhibir la protección contra fallas a tierra utilizada durante la prueba de inyección primaria
- Inhibir las imágenes térmicas utilizadas durante la prueba de inyección primaria
- Fuente de alimentación de control que suministra a la unidad de disparo para energizar las pantallas

Equipo de pruebas portátil

El equipo de pruebas portátil es una unidad pequeña energizada por pilas. Éste ha sido diseñado para proporcionar pruebas de inyección secundaria prácticas a los interruptores ComPacT NSJ y PowerPact con unidades de disparo electrónico MicroLogic. El equipo de pruebas portátil es energizado con pilas de 9 V y puede usarse para lo siguiente:

- Verificar el funcionamiento de la unidad de disparo disparando el interruptor con una señal de inyección secundaria

- Fuente de alimentación de control que suministra a la unidad de disparo para energizar las pantallas
- Inhibir la imagen térmica durante las pruebas de inyección primaria
- Inhibir la falla a tierra durante las pruebas de inyección primaria
- Pruebas de enclavamiento selectivo de zona⁴

Equipo de pruebas disponible para los interruptores automáticos PowerPact™ H/J/L con unidad de disparo electrónico MicroLogic™

Probador de bolsillo

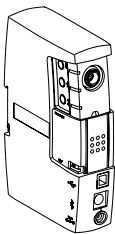


Probador de bolsillo

El probador de bolsillo se conecta al conector de prueba de la unidad de disparo MicroLogic. Éste energiza la unidad de disparo MicroLogic e ilumina el LED Ready. Asimismo suministra energía a la pantalla, permite realizar configuraciones con la terminal de programación y ajustes y proporciona las funciones de supresión de la memoria térmica.

El probador de bolsillo funciona con dos pilas alcalinas AA.

Probador UTA para prueba y mantenimiento



Probador UTA

El probador UTA incluye:

- módulo de configuración y mantenimiento
- fuente de alimentación (110–220 VCA/50-60 Hz, 24 VCC - 1 A)
- cable especial MicroLogic para la conexión al conector de prueba de la unidad de disparo
- cable USB estándar
- cable RJ45 estándar
- manual del usuario

El módulo incluido con el probador UTA realiza pruebas de funcionamiento a la unidad de disparo MicroLogic y proporciona acceso a todos los parámetros y configuraciones. Se conecta al conector de prueba de la unidad de disparo MicroLogic y puede funcionar en dos modos.

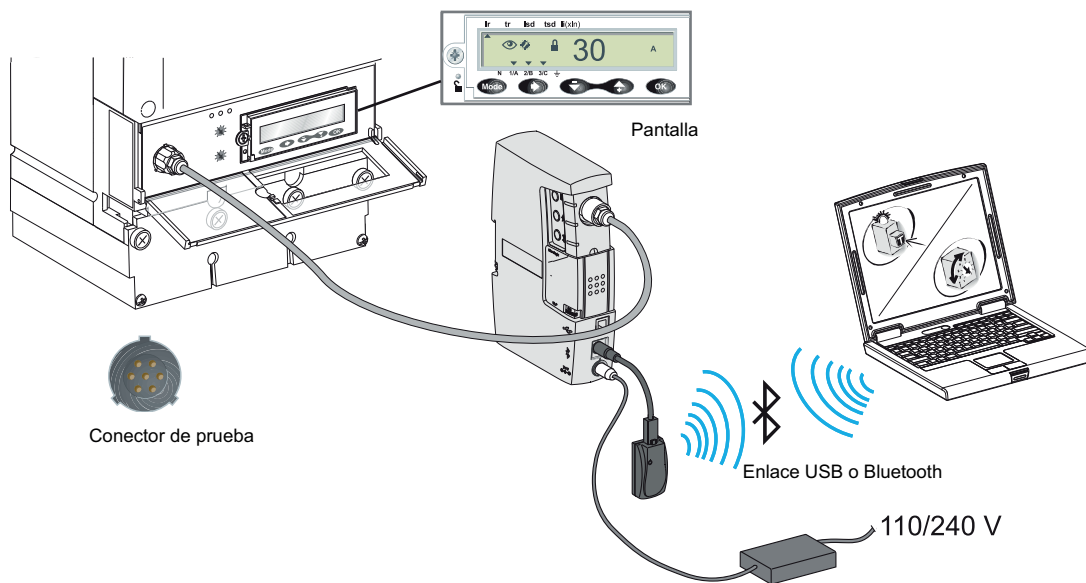
- Modo independiente para:
 - energizar la unidad de disparo MicroLogic y comprobar su funcionamiento mediante el LED Ready
 - Proporciona supresión de fallas a tierra y supresión de la memoria térmica

4. Solo proporciona energía a la unidad de disparo para indicar que se recibió una señal ZSI. No iniciará el comando para enviar una señal de restricción ZSI.

- Modo PC, conectada a una PC con una conexión USB o Bluetooth. Este modo proporciona acceso a las configuraciones de protección, ajustes de alarma y lecturas de todos los indicadores. Mediante el programa de utilidades del software RSU asociado, es posible almacenar en un archivo dedicado para cada dispositivo, todos los datos que pueden ser transferidos a otro dispositivo.

Este modo también ofrece funciones de prueba de funcionamiento:

- comprobar el retardo de tiempo del disparo (curva de disparo)
- comprobar el tiempo sin disparo (coordinación)
- comprobar la función de ZSI (enclavamiento selectivo de zona)
- simular alarmas
- visualizar las curvas de configuración
- visualizar las corrientes
- imprimir informes de pruebas
- conexión Bluetooth opcional (en la PC).



Schneider Electric
800 Federal Street
Andover, MA 01810
Estados Unidos

55-5804-5000

www.se.com

Debido a que las normas, las especificaciones y el diseño cambian de vez en cuando, solicite confirmación de la información brindada en esta publicación.

© 2021 – 2022 Schneider Electric. Reservados todos los derechos

0600IB1201

Manuel d'essai et d'entretien sur le terrain des disjoncteurs thermomagnétiques et à déclenchement électronique MicroLogic™

Classe 0600

Directives d'utilisation

0600IB1201

Date de sortie 05/2022



Information juridique

La marque Schneider Electric et toutes les marques déposées de Schneider Electric SE et de ses filiales mentionnées dans le présent guide sont la propriété de Schneider Electric SE et de ses filiales. Toutes les autres marques peuvent être des marques de commerce de leurs détenteurs respectifs. Le présent guide et son contenu sont protégés par les lois applicables sur les droits d'auteur et sont fournis à titre d'information seulement. Aucune partie du présent guide ne peut être reproduite ni transmise sous aucune forme ni par aucun moyen que ce soit (électronique, mécanique, photocopie, enregistrement ou autre), à toute fin, sans l'autorisation écrite préalable de Schneider Electric.

Schneider Electric n'accorde aucun droit ni aucune licence pour l'utilisation commerciale du présent guide, sauf une licence non exclusive et personnelle pour le consulter sur une base « tel quel ».

Les produits et l'équipement de Schneider Electric doivent être installés, utilisés et maintenus par un personnel qualifié uniquement.

Alors que les normes, les spécifications et les designs changent à l'occasion, l'information contenue dans le présent guide peut être sujette à modification sans préavis.

Dans la mesure autorisée par les lois applicables, aucune responsabilité n'est assumée par Schneider Electric et ses filiales pour toute erreur ou omission dans le contenu informatif de la présente documentation, ni pour toute conséquence découlant de l'utilisation de l'information contenue ici ou causée par celle-ci.

Table des matières

Section 1—Introduction.....	6
Inspection et vérification.....	6
Inexactitude des vérifications de disjoncteurs thermomagnétiques.....	7
Mesures de sécurité	7
Section 2—Inspection visuelle et entretien préventif.....	8
Boîtier moulé des disjoncteurs	8
Procédures	8
Inspections visuelles pendant le fonctionnement	8
Inspections d'entretien	9
Inspection thermographique	12
Renseignements supplémentaires	12
Section 3—Essais de performance des disjoncteurs thermomagnétiques.....	13
Essais de performance des disjoncteurs en général	13
Vérification sur place des disjoncteurs spéciaux de 500 Vcc.....	13
Vérification sur place des disjoncteurs à circuit thermomagnétique ca	14
Essais de performance	15
Essai de résistance d'isolation	15
Essais de performance des disjoncteurs thermomagnétiques.....	16
Retirer les raccords d'essai	20
Renseignements supplémentaires	20
Section 4—Essais de performance des disjoncteurs PowerPacTMC	21
Essais de performance	21
Essai de résistance d'isolation (essais diélectriques)	22
Vérifications d'un déclencheur MicroLogicMC	22
Procédure de neutralisation de l'interverrouillage sélectif de zone	22
Essai d'injection secondaire	24
Essai d'injection primaire.....	24
Disjoncteurs avec protection intégrale contre les défauts à la terre.....	26
Protection contre les défauts à la terre et essais d'indication seulement pour les systèmes radiaux.....	27
Retirer les raccords d'essai	31
Renseignements supplémentaires	31
Section 5—Essais de performance pour les disjoncteurs à déclenchement électronique LE/LX, ME/MX, PE/PX et SE anciens	33
Essais de performance des disjoncteurs en général	33
Essais des disjoncteurs à déclenchement électronique MicroLogicMC	34
Disjoncteurs avec protection intégrale contre les défauts à la terre.....	38

Procédure pour les disjoncteurs utilisés avec les systèmes PowerLogicMC	38
Procédure de neutralisation de l'interverrouillage sélectif de zone	38
Protection contre les défauts à la terre et essais d'indication seulement pour les systèmes radiaux	39
Retirer les raccords d'essai	45
Renseignements supplémentaires	45
Section 6—Appareils d'essai disponibles	46
Appareils d'essai pour disjoncteurs à châssis L, M, N, P et S avec déclencheurs MicroLogicMC	46
Kit ampèremètre/Indicateur de déclenchement	46
Module de remise à zéro de la mémoire.....	46
Trousse d'essai d'injection primaire	46
Appareil universel d'essai	47
Appareils d'essai pour les disjoncteurs PowerPacTMC P/R munis de déclencheurs électroniques MicroLogic	47
Trousse d'essai des fonctions complètes	47
Trousse d'essai portable	47
Appareils d'essai disponibles pour les disjoncteurs PowerPacTMC P/R munis de déclencheurs électroniques MicroLogic.....	48
Vérificateur de poche	48
Module de maintenance UTA pour les essais et l'entretien	48

Informations relatives à la sécurité

Lire attentivement ces directives et examiner l'appareillage pour vous familiariser avec son fonctionnement avant de faire son installation ou son entretien. Les messages spéciaux suivants peuvent apparaître dans les présentes directives ou sur l'appareil pour avertir l'utilisateur de dangers potentiels ou pour attirer l'attention sur des informations qui clarifient ou simplifient une procédure.



L'ajout d'un de ces deux symboles à une étiquette de sécurité de « Danger » ou d'« Avertissement » indique qu'un danger électrique existe et qu'il peut entraîner des blessures corporelles si les directives ne sont pas respectées.



Ceci est le symbole d'alerte de sécurité. Il est utilisé pour vous alerter de dangers de blessures corporelles potentielles. Veuillez vous conformer à tous les messages de sécurité qui suivent ce symbole pour éviter une blessure ou la mort.

⚠ DANGER

DANGER indique une situation de danger imminent qui, si elle n'est pas évitée entraînera la mort ou des blessures graves.

⚠ AVERTISSEMENT

AVERTISSEMENT indique une situation de danger potentiel qui, si elle n'est pas évitée, peut entraîner la mort ou des blessures graves.

⚠ ATTENTION

ATTENTION indique une situation de danger potentiel qui, si elle n'est pas évitée, peut entraîner des blessures mineures ou modérées.

AVIS

AVIS est utilisé pour commenter des pratiques sans rapport avec les blessures physiques.

Veillez noter

Seul du personnel qualifié doit effectuer l'installation, l'utilisation, l'entretien et la maintenance du matériel électrique. Schneider Electric n'assume aucune responsabilité des conséquences éventuelles découlant de l'utilisation de cette documentation.

Une personne qualifiée est une personne disposant de compétences et de connaissances dans le domaine de la construction et du fonctionnement des équipements électriques et installations et ayant bénéficié d'une formation de sécurité afin de reconnaître et d'éviter les risques encourus. L'équipement électrique doit être transporté, entreposé, installé et utilisé exclusivement dans l'environnement pour lequel il a été conçu.

Section 1—Introduction

Inspection et vérification

La vie utile des disjoncteurs à boîtier moulé dépend d'une application appropriée, d'une installation correcte, des conditions environnementales et d'un entretien préventif. Deux niveaux d'investigation peuvent assurer qu'un disjoncteur est capable de fonctionner correctement :

1. Inspection et entretien préventif
2. Essais de performance et de vérification.

Pour assurer une performance continue convenable, inspecter périodiquement le disjoncteur en suivant les procédures précisées dans ce document. Ces procédures de vérification aideront à diagnostiquer des problèmes de fonctionnement et sont fournies comme une aide ou un suivi à une inspection qui révèle des problèmes potentiels. L'inspection, l'entretien préventif et les directives de vérification sur place fournies dans ce document sont destinées à être utilisées avec des disjoncteurs à déclenchement électronique munis du système de déclenchement MicroLogicMC, des disjoncteurs thermomagnétiques et des disjoncteurs seulement magnétiques.

Tableau 1 - Inspection et vérification de disjoncteurs

Type de disjoncteur	Inspection	Essais de performance
Disjoncteurs thermomagnétiques	Section 2	Section 3
Disjoncteurs seulement magnétiques	Section 2	Section 3
Disjoncteurs PowerPacTMC	Section 2	Section 4
Disjoncteurs à déclenchement électronique (sauf les disjoncteurs MasterPacT et PowerPacT)	Section 2	Section 5

Pour des renseignements sur l'entretien et l'essai de disjoncteurs MasterPacT en coffret isolé, voir les directives d'utilisation 0613IB1202, Guide d'entretien et d'essai sur place pour les disjoncteurs MasterPacT NT et NW.

La norme généralement utilisée comme base d'exigences de vérification sur place est la norme de l'Association nationale américaine des constructeurs de matériel électrique « NEMA AB4 - Guidelines for Inspection and Preventive Maintenance of Molded Case Circuit Breakers Used in Commercial and Industrial Application (Directives pour inspection et entretien préventif des disjoncteurs à boîtier moulé utilisés dans les applications commerciales et industrielles) ». Si des informations ou une assistance supplémentaires sont nécessaires, contacter le bureau des ventes local. Pour un service sur place, contacter le Centre d'informations à la clientèle 24 heures sur 24 au 1-888-778-2733 (É.-U.).

Les procédures d'inspection et d'entretien préventif précisées dans cette publication peuvent être utiles pour organiser un programme d'inspections de routine. Effectuer des essais de performance uniquement si une inspection ou un fonctionnement quotidien indique la possibilité qu'un disjoncteur ne fournisse pas de façon adéquate la protection requise par son application.

Si des résultats contestables sont observés durant une inspection ou des essais de performance, consulter le bureau des ventes local. S'il est nécessaire de renvoyer un disjoncteur à l'établissement de fabrication, employer un emballage et des matériaux d'emballage appropriés pour éviter tout endommagement durant le transport.

Cette publication n'est pas destinée et ne convient pas, à vérifier la performance électrique correcte d'un disjoncteur à boîtier moulé qui a été démonté, modifié, remis en état ou manipulé d'une façon non prévue et non autorisée par l'entreprise.

Inexactitude des vérifications de disjoncteurs thermomagnétiques

Au cours des dernières années, il y a eu de plus en plus d'incidents de vérifications inexactes sur place. Les obstacles majeurs à une vérification précise sur place des disjoncteurs sont les variables présentes dans les installations modernes, telles que des variantes dans les boîtiers, les connexions à barre-bus, les câblages et la proximité d'autres appareils.

Un autre obstacle est l'utilisation de courants d'essai V_{ca} au lieu de courants d'essai V_{cc} pour les applications en courant continu. La plupart des fabricants ont essayé et certifié des disjoncteurs ca pour une utilisation dans des applications cc à basse tension (250 Vcc ou moins). Lors d'une application de disjoncteurs thermomagnétiques, à châssis de 1 000 A ou moins, sur des systèmes à basse tension (< 250 Vcc), les caractéristiques thermiques des disjoncteurs restent inchangées. Mais les caractéristiques magnétiques (instantanées) changent et exigent un multiplicateur pour déterminer le courant cc nécessaire pour déclencher le disjoncteur. Les multiplicateurs pour une utilisation avec un appareil Square D sont indiqués dans le bulletin de données « *Détermination des capacités porteuses de courant dans des applications spéciales* ».

Pour les disjoncteurs de plus de 1 000 A et disjoncteurs de 500 Vcc, la corrélation entre le courant ca et le courant cc n'est pas prévisible. Pour des résultats précis, ces disjoncteurs doivent être essayés en utilisant un courant cc . Voir *Vérification sur place des disjoncteurs spéciaux de 500 Vcc*, page 13 pour des renseignements sur les essais.

Mesures de sécurité

1. Seuls des électriciens qualifiés ayant une formation et l'expérience des circuits à basse tension doivent effectuer le travail décrit dans ces directives. Le personnel doit connaître les risques encourus à travailler sur ou à proximité des appareils à basse tension. Ces travaux ne doivent être accomplis qu'après avoir lu ces directives d'utilisation dans leur intégralité.
2. Certaines inspections ou procédures nécessitent que certaines parties du système électrique restent sous tension à une tension dangereuse durant la procédure. Observer tous les messages spécifiques de sécurité (Danger, Avertissement, Attention) trouvés dans ce manuel.
3. Porter un équipement de protection de sécurité, reconnaître les risques potentiels et prendre les mesures de sécurité adéquates lors de l'exécution des procédures décrites dans ce manuel.

Section 2—Inspection visuelle et entretien préventif

Les disjoncteurs à boîtier moulé demandent habituellement très peu d'entretien. L'entreprise recommande d'effectuer les procédures d'inspection sur une base régulière. La fréquence des inspections dépend des conditions de fonctionnement et d'environnement associées avec l'application.

Des inspections visuelles pendant le fonctionnement peuvent être faites n'importe quand lorsque des électriciens ou du personnel d'entretien se trouvent à proximité de l'appareil électrique.

Les inspections d'entretien peuvent être faites aux intervalles d'entretien normaux. Il est recommandé de faire fonctionner le mécanisme des disjoncteurs une fois l'an. L'inspection et l'entretien peuvent être nécessaires plus fréquemment en présence de conditions de fonctionnement ou d'environnement hostiles.

Boîtier moulé des disjoncteurs

Le boîtier moulé d'un disjoncteur à boîtier moulé Square D ne doit pas être ouvert. L'ouverture du boîtier ou le démontage du disjoncteur annule la garantie du fabricant et compromet l'intégrité du dispositif. Les disjoncteurs ouverts ou autrement défectueux au point de ne pas fonctionner doivent être détruits ou renvoyés à l'entreprise afin d'éviter qu'ils ne soient remis en service. Le retrait de couvercles auxiliaires ou d'accessoires ne constitue pas une ouverture du boîtier moulé.

Procédures

Inspections visuelles pendant le fonctionnement

DANGER

RISQUE D'ÉLECTROCUTION, D'EXPLOSION OU D'ÉCLAIR D'ARC

- Portez un équipement de protection individuelle (ÉPI) approprié et observez les méthodes de travail électrique sécuritaire. Voir NFPA 70E ou CSA Z462.
- Seul un personnel qualifié doit effectuer l'installation et l'entretien de cet appareil.
- Prenez toutes les précautions pour assurer qu'aucun contact accidentel avec des composants sous tension ne se produise durant ce contrôle.

Le fait de ne pas suivre ces instructions entraînera des blessures graves, voire mortelles.

Pendant que le disjoncteur est sous tension :

1. Vérifier l'application et la puissance nominale d'un disjoncteur.

S'assurer que le disjoncteur est mis en service de façon appropriée correspondant à la tension indiquée sur l'étiquette, à l'intensité nominale, aux valeurs nominales maximales d'interruption de courant et aux recommandations de l'entreprise. Comparer les données de la face avant du disjoncteur aux plans d'installation. Vérifier les réglages du déclencheur sur les disjoncteurs à déclenchement électronique MicroLogicMC avec l'étude de coordination. Après avoir terminé les procédures d'inspection et d'entretien, s'assurer que tous les réglages du déclencheur pour toutes les fonctions sont conformes à l'étude de coordination.

2. Contrôler pour voir s'il se produit une surchauffe lorsque l'appareil est sous tension.

Pendant que le disjoncteur fonctionne normalement, sous charge et à la température de fonctionnement, vérifier si la face exposée, accessible, isolée et les surfaces adjacentes du coffret surchauffent. Pour faire cela, utiliser une sonde de température infrarouge pour vérifier la température. Si la température dépasse 60 °C, la cause doit être recherchée.

Accorder à un disjoncteur sous tension au moins trois heures pour qu'il atteigne la température de fonctionnement. Comparer la température des surfaces des disjoncteurs individuels à la température des surfaces des autres disjoncteurs de l'installation. Les températures des surfaces des disjoncteurs varient en fonction de leur charge, de l'emplacement sur le panneau de distribution et de la température ambiante. Si la température des surfaces d'un disjoncteur est considérablement plus élevée que pour les disjoncteurs adjacents, la cause doit être recherchée.

Les méthodes d'inspection thermographiques peuvent être également employées pour évaluer la surchauffe d'un appareil sous tension (voir Inspection thermographique, page 12).

3. Vérifier si le boîtier moulé est fissuré.

Tout disjoncteur avec un boîtier moulé fissuré doit être remplacé parce que sa capacité de soutenir les contraintes d'interruption par court-circuit est réduite.

4. Inspecter le coffret.

Le coffret doit être propre et sec. Tous les couvercles et toutes les pièces de déclenchement doivent être en place.

Inspections d'entretien

DANGER

RISQUE D'ÉLECTROCUTION, D'EXPLOSION OU D'ÉCLAIR D'ARC

- Portez un équipement de protection individuelle (ÉPI) approprié et observez les méthodes de travail électrique sécuritaire. Voir NFPA 70E ou CSA Z462.
- Seul un personnel qualifié doit effectuer l'installation et l'entretien de cet appareil.
- Déconnectez toutes les sources d'alimentation avant d'effectuer des inspections. Présumez que tous les circuits sont sous tension tant qu'ils n'ont pas été complètement mis hors tension, vérifiés, mis à la terre et étiquetés. Considérez toutes les sources d'alimentation, y compris la possibilité de rétro-alimentation et l'alimentation de contrôle.
- Toujours utiliser un dispositif de détection de tension à valeur nominale appropriée pour s'assurer que l'alimentation est coupée.
- Remplacez tous les dispositifs, les portes et les couvercles avant de mettre l'appareil sous tension.

Le fait de ne pas suivre ces instructions entrainera des blessures graves, voire mortelles.

Pendant que le disjoncteur est hors tension :

1. Contrôler pour voir s'il existe une surchauffe quand l'appareil est hors tension.

Inspecter visuellement si les composants électriques montrent des signes de décoloration. Cela peut indiquer une surchauffe. S'il n'existe aucune évidence de surchauffe ou de raccordements lâches ou défaits, ne pas déranger ou resserrer les raccordements.

Raccordements en cuivre :

- Si une surchauffe évidente est détectée sur les bornes, connecteurs, conducteurs ou sur l'isolation de conducteurs, nettoyer et polir tous les raccordements et barres-bus affectés en suivant les recommandations de la publication NEMA AB4.

Raccordements en aluminium :

- Les connecteurs en aluminium surchauffés doivent être remplacés et les portions endommagées d'un conducteur doivent être retirées. Si le conducteur n'est pas assez long pour se terminer correctement au disjoncteur après le retrait de la portion endommagée, faire une jonction appropriée à l'aide d'une nouvelle longueur d'un conducteur de même calibre.

Raccordements à un panneau de distribution I-Line™ :

- Si les raccordements des mâchoires du panneau de distribution I-Line sont piqués, décolorés ou déformés, le disjoncteur doit être remplacé. Les mâchoires du I-Line sont calibrées et essayées durant le processus de fabrication. Elles ne sont pas remplaçables sur place. Ne pas les plier ou les ajuster.
- Si du lubrifiant pour joint manque sur les raccordements du panneau I-Line, il faut en remettre avant de réinstaller le ou les disjoncteurs. Ce lubrifiant est nécessaire pour assurer l'intégrité du raccordement. Les raccordements du panneau de distribution I-Line requièrent le lubrifiant pour joint Square D PJC-7201.

AVIS

RISQUE DE DOMMAGES MATÉRIELS

La lubrification des raccordements débrochables doit être refaite à chaque fois que le disjoncteur est retiré du compartiment.

Le fait de ne pas suivre ces instructions peut endommager l'équipement.

Raccordements débrochables :

- Si les raccordements du disjoncteur débrochable sont décolorés ou déformés, le disjoncteur doit être remplacé.
- Il faut lubrifier les raccordements à chaque fois que le disjoncteur débrochable est retiré du berceau. Ce lubrifiant est nécessaire pour assurer l'intégrité du raccordement.
- Les raccordements des disjoncteurs débrochables SE requièrent le lubrifiant pour joint Square D PJC8311.
- Les raccordements des disjoncteurs débrochables PowerPacT requièrent le kit de lubrification S48899 pour lubrifier les groupes de connecteurs et les lames de fixation.

Après avoir nettoyé ou remplacé les pièces endommagées, serrer tous les raccordements aux couples de serrage spécifiés par Square D. Se reporter aux directives d'utilisation des disjoncteurs pour des renseignements supplémentaires concernant les valeurs de couples de serrage. Les directives d'utilisation sont expédiées avec les disjoncteurs et sont disponibles à la bibliothèque technique Internet de Square D.

2. Faire fonctionner le mécanisme des disjoncteurs :

Mettre la manette du disjoncteur aux positions de marche et d'arrêt plusieurs fois pour assurer que les liaisons ou tringleries mécaniques fonctionnent librement. Déclencher le disjoncteur en appuyant sur le bouton pousser-pour-déclencher. Réarmer et remettre le disjoncteur à la position de marche. Répéter la manœuvre pour assurer l'efficacité opérationnelle. Si le disjoncteur ne se déclenche pas, ou s'il ne se réarme pas après un déclenchement, il doit être remplacé.

REMARQUE: La poignée Visi-Trip à voyant DEL permet de localiser rapidement un disjoncteur qui exige une intervention. La position de la poignée indique le déclenchement du disjoncteur.

REMARQUE: Lors de l'entretien annuel conformément au document « MCCB Field Testing and Maintenance Guide » (0600IB1201), actionnez le bouton-poussoir de déclenchement (si présent) pour vérifier la fonctionnalité Visi-Trip. Faites passer le disjoncteur de déclenché à désarmé, puis de désarmé à réarmé, et vérifiez l'état de la batterie.

Séquence de clignotement	Indicateur
Clignotement rapide pendant deux secondes	Batterie faible (20 % restant). ¹
Clignotement lent de longue durée (clignotement continu pendant six heures).	Le disjoncteur doit être inspecté.

3. Nettoyer le disjoncteur : Enlever toute accumulation de poussière, de crasse, de graisse ou d'humidité des surfaces du disjoncteur avec un chiffon sec non-pelucheux ou un aspirateur. Ne pas utiliser d'air comprimé. Faire attention lors de l'emploi de nettoyeurs ou dissolvants à base de détergent : ces produits pourraient détériorer la face avant, les étiquettes et les matériaux isolants. Nettoyer les surfaces de contact des supports de connexions et des bornes du disjoncteur ou les barres-bus à l'aide d'un nettoyeur non abrasif. Un nettoyeur abrasif enlèvera le placage, détériorant alors le joint

Si du lubrifiant pour joint manque sur les raccordements des disjoncteurs débrochables I-Line ou SE, du lubrifiant pour joint Square D PJC-7201 ou PJC-8311, respectivement, doit être appliqué de nouveau avant de réinstaller les disjoncteurs. Ce lubrifiant est nécessaire pour assurer l'intégrité du raccordement.

1. Contactez les services de Schneider Electric pour remplacement.

Inspection thermographique



RISQUE D'ÉLECTROCUTION, D'EXPLOSION OU D'ÉCLAIR D'ARC

Seuls des électriciens qualifiés ayant une formation et l'expérience des circuits à basse tension doivent effectuer l'inspection thermographique. Le personnel doit connaître les risques encourus à travailler sur ou à proximité des appareils à basse tension. N'entreprenez ce travail qu'après avoir lu ces directives d'utilisation dans leur intégralité.

Le fait de ne pas suivre ces instructions entrainera des blessures graves, voire mortelles.

Les techniques d'inspection thermographique à infrarouge peuvent être utiles pour évaluer la condition de fonctionnement des disjoncteurs et des terminaisons. La comparaison aux images thermographiques infrarouges mises en mémoire peut être utile pour un entretien préventif de disjoncteurs et d'appareils d'utilisation privée. La quantité réelle de chaleur émise est fonction tant du courant de charge que des conditions ambiantes. L'interprétation d'un examen à l'infrarouge exige de l'expérience et une formation à ce type d'inspection.

Accorder aux disjoncteurs initialement mis sous tension au moins trois heures pour atteindre la température de fonctionnement. Comparer les images thermographiques des disjoncteurs individuels aux images antérieurement mises en mémoire des mêmes disjoncteurs.

Renseignements supplémentaires

Pour plus de renseignements sur les disjoncteurs Square D, se reporter au manuel de directives approprié. Ces manuels contiennent des directives d'installation, des renseignements de montage, des mesures de sécurité, des schémas de câblage et des tableaux de dépannage pour des disjoncteurs spécifiques.

Section 3—Essais de performance des disjoncteurs thermomagnétiques

Ces essais contrôlent la performance des disjoncteurs à déclenchement thermomagnétique à boîtier moulé.

Essais de performance des disjoncteurs en général

DANGER

RISQUE D'ÉLECTROCUTION, D'EXPLOSION OU D'ÉCLAIR D'ARC

- Portez un équipement de protection individuelle (ÉPI) approprié et observez les méthodes de travail électrique sécuritaire. Voir NFPA 70E ou CSA Z462.
- Seul un personnel qualifié doit effectuer l'installation et l'entretien de cet appareil.
- Coupez toutes les alimentations à cet appareil avant d'y travailler.
- Utilisez toujours un dispositif de détection de tension avec une valeur nominale appropriée pour vous assurer que l'alimentation est coupée.
- Remplacez tous les dispositifs, les portes et les couvercles avant de mettre l'appareil sous tension.
- Ne touchez pas les bornes ou fils de connexion d'essai d'un disjoncteur alors que celui-ci est en cours de vérification.

Le fait de ne pas suivre ces instructions entraînera des blessures graves, voire mortelles.

Effectuer les essais de performance dans l'ordre donné pour maximiser la précision des résultats des essais.

REMARQUE: Ne jamais faire un essai de résistance des contacts avant d'avoir fait des essais d'injection primaire instantanée. Les essais d'injection primaire assureront que les contacts ne montrent aucun signe de film résistif, d'oxydation et de présence de corps étrangers.

Les essais suivants sont destinés à vérifier le bon fonctionnement d'un disjoncteur. Des conditions d'essais contrôlées de façon précise par l'usine sont utilisées pour établir les courbes des caractéristiques du déclenchement. Si les résultats d'essais sur place tombent en dehors de la bande de tolérance pour les caractéristiques des courbes de déclenchement, évaluer la précision des conditions et méthodes d'essais avec attention.

Lorsque des conditions ou résultats douteux sont observés au cours d'une inspection et d'essais de performance, consulter le bureau des ventes local. Les disjoncteurs dotés d'accessoires ou modifiés à l'usine peuvent exiger une investigation spéciale. S'il est nécessaire de renvoyer un disjoncteur à l'établissement de fabrication, employer un emballage et des matériaux d'emballage appropriés pour éviter tout endommagement durant le transport.

Vérification sur place des disjoncteurs spéciaux de 500 Vcc

Les disjoncteurs Square D de 500 Vcc inscrits UL® sont conçus, fabriqués et étalonnés pour une utilisation sur des systèmes d'alimentation sans coupure UPS (Uninterruptable Power Supplies) non mis à la terre. La tension nominale maximale (chargée) est de 500 Vcc et la tension flottante maximale (déchargée) est de 600 Vcc.

Ces disjoncteurs sont inscrits UL quand ils sont appliqués avec les trois pôles raccordés en série comme indiqué sur l'étiquette du disjoncteur. Le raccordement en série est fourni par le client et est externe au disjoncteur.

Les disjoncteurs Square D de 500 Vcc inscrits UL sont des disjoncteurs spéciaux pour les applications cc uniquement et doivent être vérifiés à l'aide de courant cc.

- Sélectionner la courbe de déclenchement temps-courant correct. Les courbes de déclenchement indiquent les gammes de déclenchement thermiques et magnétiques des disjoncteurs.
- Utiliser une alimentation cc pour vérifier les disjoncteurs comme suit:

Disjoncteur	Constante de temps ²
≤ 400 A CC	≤ 20 ms
450 à 2 500 A cc	≤ 25 ms
Constance d'ondulation CC ≤ 1 % de valeur efficace (rms).	

- S'assurer que la température ambiante et la température du disjoncteur sont de 25 °C ± 3 degrés.
- Enlever le disjoncteur du coffret. Si le retrait du disjoncteur n'est pas pratique, vérifier le disjoncteur dans l'appareil d'utilisation finale. Si les résultats de la vérification tombent en dehors de la tolérance pour la courbe de déclenchement, retirer le disjoncteur du coffret et faire une nouvelle vérification.
- Utiliser un câble de calibre correct (selon les tableaux du National Electrical Code® [NEC®]) d'une longueur minimale de 1,22 m (4 pieds) par raccordement.
- Raccorder l'alimentation cc au disjoncteur avec les pôles raccordés en série comme indiqué sur l'étiquette du disjoncteur.
- S'assurer que les raccordements au disjoncteur sont serrés au couple de serrage approprié.
- Appliquer le courant d'essai cc pour déclencher le disjoncteur. Le mécanisme de déclenchement du disjoncteur réagit aux champs magnétiques créés par le courant qui traverse le disjoncteur. Appliquer un courant d'essai cc au disjoncteur d'environ 70 % de la valeur envisagée. Si le disjoncteur ne se déclenche pas, augmenter le courant d'essai au cours de tentatives successives jusqu'à ce qu'il se déclenche. Lorsque le disjoncteur se déclenche
 1. Réarmer et fermer le disjoncteur
 2. Appliquer de nouveau le courant d'essai cc pour déclencher le disjoncteur une autre fois.
 3. Noter le courant et comparer à la courbe de déclenchement.

Vérification sur place des disjoncteurs à circuit thermomagnétique ca

Points recommandés pour une vérification précise sur place des disjoncteurs (se reporter aux procédures de vérification dans ce manuel pour des renseignements spécifiques):

- Utiliser l'appareil de vérification correct.
- S'assurer que la température ambiante et la température du disjoncteur sont de 25 °C ± 3 degrés.
- Enlever le disjoncteur du coffret. Si le retrait du disjoncteur n'est pas pratique, vérifier le disjoncteur dans l'appareil d'utilisation finale. Si les résultats de la vérification tombent en dehors de la tolérance pour la courbe de déclenchement, retirer le disjoncteur du coffret et faire une nouvelle vérification.
- Utiliser un câble de calibre correct (selon les tableaux du NEC) d'une longueur minimale de 1,22 m (4 pieds) par raccordement.

2. La constante de temps est ainsi définie par UL 489 : « la constante de temps du circuit est le temps mesuré sur l'oscillogramme où le courant est de 63,2 % du courant envisagé ».

- Faire un essai sur chaque pôle individuellement.
- S'assurer que les raccordements au disjoncteur sont serrés au couple de serrage approprié.
- Vérifier le disjoncteur et noter les résultats. Le mécanisme de déclenchement du disjoncteur réagit aux champs magnétiques créés par le courant qui traverse le disjoncteur. Lorsque le flux de courant est proche du point de déclenchement du disjoncteur, les champs magnétiques peuvent provoquer un faux déclenchement dû aux vibrations. Suivre les points suivants pour minimiser les effets d'un faux déclenchement:
 1. Après chaque impulsion de courant ou quand le disjoncteur se déclenche, réarmer et mettre le disjoncteur à la position de marche.
 2. Appliquer de nouveau le courant d'essai pour déclencher le disjoncteur une autre fois.
 3. Noter le courant et comparer à la courbe de déclenchement.

Essais de performance

Essai de résistance d'isolation

Des conditions d'environnement sévères peuvent réduire la rigidité diélectrique des disjoncteurs à boîtier moulé. Vérifier la résistance de l'isolation pendant un essai du système électrique

AVIS
RISQUE DE DOMMAGES MATÉRIELS
N'appliquez pas la tension d'essai aux circuits de contrôle ou aux bornes d'accessoires; l'endommagement de composants électroniques ou basse tension pourrait en résulter.
Le fait de ne pas suivre ces instructions peut endommager l'équipement.

Pour vérifier la résistance d'isolation, procéder comme suit :

1. Mettre hors tension et isoler le disjoncteur.
2. Nettoyer le disjoncteur comme décrit antérieurement.
3. En utilisant un mégohmmètre avec une capacité de 500 à 1 000 V cc, appliquer la tension entre :
 - a. Chaque phase et la terre avec le disjoncteur en position de marche (I), contacts du disjoncteur fermés.
 - b. Phase à phase avec le disjoncteur en position de marche (I), contacts du disjoncteur fermés.
 - c. Entre chaque borne de ligne et charge avec le disjoncteur en position d'arrêt (O), contacts du disjoncteur ouverts.
4. Noter les valeurs de résistance. Les valeurs de résistance inférieures à un mégohm (1 000 000 Ohms) doivent être examinées.

Essais de performance des disjoncteurs thermomagnétiques

DANGER

RISQUE D'ÉLECTROCUTION, D'EXPLOSION OU D'ÉCLAIR D'ARC

- Portez un équipement de protection individuelle (ÉPI) approprié et observez les méthodes de travail électrique sécuritaire. Voir NFPA 70E ou CSA Z462.
- Seul un personnel qualifié doit effectuer l'installation et l'entretien de cet appareil.
- Coupez toutes les alimentations à cet appareil avant d'y travailler.
- Utilisez toujours un dispositif de détection de tension avec une valeur nominale appropriée pour vous assurer que l'alimentation est coupée.
- Remplacez tous les dispositifs, les portes et les couvercles avant de mettre l'appareil sous tension.

Le fait de ne pas suivre ces instructions entraînera des blessures graves, voire mortelles.

Essai de déclenchement sur surintensité de retard inversé

1. Désactiver complètement et retirer le disjoncteur du service. Effectuer les essais suivants à 300 % de l'intensité nominale du disjoncteur pour vérifier la performance de l'élément de déclenchement thermique sur les disjoncteurs thermomagnétiques à l'aide d'une alimentation ca capable de délivrer des courants élevés, basse tension de moins de 24 V.
2. Essai en plein air à une température ambiante de 25 °C (77 °F).
3. Les temps de déclenchement sont mesurés à partir d'un « démarrage à froid ». Un démarrage à froid, comme défini par Underwriters Laboratories Inc. dans la norme 489 se produit à 25 °C ± 3 ° (77 °F ± 5 °). Par conséquent, avant d'entreprendre des essais de surintensité, le disjoncteur doit être dans une température ambiante de 25 °C (77 °F) pendant suffisamment longtemps pour que toutes les pièces atteignent cette température. Les disjoncteurs qui ont été exposés à des températures ambiantes plus élevées peuvent demander jusqu'à quatre heures pour atteindre les températures d'état constant mentionnées ci-dessus.
4. Raccorder le disjoncteur à une alimentation à l'aide d'un câble d'une longueur minimale de 1,2 m (4 pieds) sur chaque raccordement. Déterminer le calibre du câble en fonction de l'intensité nominale du disjoncteur vérifié. Se reporter au Code national de l'électricité (NEC; É.-U.), tableau 310-16; utiliser la colonne de 75 °C pour le calibre approprié des conducteurs. Un câble de calibre incorrect affectera les résultats de l'essai.
5. Essayer chaque pôle du disjoncteur individuellement à 300 % du courant nominal à l'aide d'une alimentation ca capable de délivrer des courants élevés, basse tension.
6. Enregistrer les valeurs d'essai de déclenchement et comparer avec les valeurs de l'Essai de déclenchement sur surintensité de retard inversé, page 17. Tant que les temps de déclenchement notés sont en dessous des temps de déclenchement maximums, le disjoncteur fournit une protection thermique acceptable.

Si la vérification des données du fabricant est requise, comparer les temps de déclenchement à la plage de déclenchement de 300 % indiquée sur la courbe de déclenchement pour le disjoncteur spécifique. Si les résultats des essais sur place tombent en dehors de la bande de tolérance des caractéristiques de la courbe de déclenchement, la précision des conditions et méthodes des essais doit être évaluée avec attention. Une petite erreur dans la valeur du courant d'essai entraîne une grande erreur sur le temps de déclenchement.

Tableau 2 - Essai de déclenchement sur surintensité de retard inversé³

Courant continu nominal	Temps de déclenchement max.	
	240 V	480 V / 600V
0-30 A	60 s	
31-50 A	80 s	100 s
51-100 A	140 s	160 s
101-150 A	200 s	250 s
151-225 A	230 s	275 s
226-400 A	300 s	350 s
401-600 A		450 s
601-800 A		500 s
801-1000 A		600 s
1 001 à 1 200 A		700 s
1201-1600 A		775 s
1601 à 2000 A		800 s
2001-2500 A		850 s
2501-5000 A		900 s

Essai de déclenchement instantané (magnétique)

Cet essai simule des conditions de court-circuit en utilisant une alimentation d'essai basse tension. Pour empêcher des champs magnétiques parasites d'affecter les résultats des essais, les câbles d'essai sortant du disjoncteur doivent être parallèles au passage de courant du disjoncteur sur un minimum de 254 mm (10 po). Les résultats des essais peuvent être également influencés par la forme de l'onde du courant d'alimentation. Utiliser une source d'alimentation avec une véritable sortie sinusoïdale et une valeur efficace vraie ou avec un ampèremètre analogique pour assurer des résultats précis. Pour vérifier la performance de l'élément de déclenchement instantané (magnétique), procéder comme suit:

REMARQUE: Vérifier les disjoncteurs PA et PH avec le disjoncteur monté sur un kit de support de connexions (numéro de catalogue PALTB). Les disjoncteurs PC doivent être vérifiés avec le disjoncteur monté sur le kit de support de connexions fourni avec le disjoncteur.

Vérifier les disjoncteurs NA et NC dans l'appareil d'utilisation finale ou couchés à plat sur une pièce d'acier de 3 mm (1/8 po) d'épaisseur.

1. Régler l'ajustement du déclencheur instantané (magnétique) du disjoncteur, si fourni, au réglage le plus haut. Les essais faits au réglage haut assurent l'existence d'une protection du déclencheur instantané à tous les réglages inférieurs.
2. Raccorder le disjoncteur à la source d'essai basse tension avec toute longueur convenable de conducteur.

3. Pour les disjoncteurs thermomagnétiques (à 300 % de l'intensité nominale du disjoncteur). Dérivé du tableau 5-3, norme NEMA AB 4-1996.

3. Essayer chaque pôle individuellement par la méthode d'impulsions comme suit:

La méthode d'impulsions exige que l'appareil de vérification possède une fermeture contrôlée et un ampèremètre à butée d'aiguille, un oscilloscope calibré à retenue d'image ou un ampèremètre numérique à cadence élevée d'échantillonnage. La méthode d'impulsions implique les points suivants:

- a. Raccorder un pôle du disjoncteur d'essai à l'appareil de vérification.
- b. Régler la commande de courant de l'appareil de vérification à une valeur d'environ 70 % du réglage du courant du déclencheur instantané.
Exemple : Si le réglage du déclencheur instantané (magnétique) est de 2 000 A, régler l'appareil de vérification à 1 400 A.
- c. Après avoir raccordé et réglé le disjoncteur de façon appropriée, appliquer le courant en impulsions d'environ 10 cycles.
- d. En démarrant à 70 % du réglage du déclencheur instantané, augmenter le courant de chaque impulsion jusqu'à ce que le disjoncteur se déclenche. Après chaque impulsion, placer la manette du disjoncteur à la position de réarmement total, puis à la position de marche.
- e. Répéter le point D pour reconstrôler et vérifier cette valeur. Démarrer avec un niveau de courant en dessous de la valeur mesurée au point D pour assurer un « non déclenchement » sur l'impulsion initiale.

4. Noter le niveau de courant et le temps de déclenchement. Pour assurer une protection du conducteur nominal, le courant nécessaire pour déclencher le disjoncteur instantanément ne doit pas dépasser 140 % du réglage haut pour les disjoncteurs ayant une taille de châssis de 250 A et en dessous, et 125 % du réglage haut pour les disjoncteurs ayant une taille de châssis de 400 A et au-dessus. Ces réglages sont imprimés sur l'étiquette de la face avant du disjoncteur. Si des courants plus hauts que ces niveaux maximums sont nécessaires pour déclencher le disjoncteur, consulter le bureau des ventes local.

Si les résultats des essais sur place tombent hors de la bande de tolérance des caractéristiques de la courbe de déclenchement, la précision des conditions et méthodes des essais doit être évaluée avec attention.

Essai de maintien au courant nominal

Cet essai ne doit être effectué que sur des disjoncteurs qui se sont déclenchés intempestivement dans des conditions normales.

Effectuer l'essai à une température ambiante de 25 °C (77 °F) à l'aide d'une alimentation ca capable de délivrer des courants élevés, basse tension. Suivre la même procédure que celle utilisée dans l'essai de déclenchement sur surintensité de retard inversé, points Article 1, page 16 à Article 3, page 16. Raccorder tous les pôles du disjoncteur en série en utilisant des câbles d'une ampacité appropriée pour l'application. Ces câbles doivent être d'une longueur de 1,22 m (4 pieds) par borne (2,43 m [8 pieds] au total entre les pôles). Tous les connecteurs doivent être serrés au couple de serrage approprié selon les spécifications indiquées sur l'étiquette du disjoncteur.

Le disjoncteur ne doit pas se déclencher lorsque 100 % du courant nominal du dispositif sont appliqués pendant une heure pour les disjoncteurs d'une intensité nominale inférieure à 100 A, ou pendant deux heures pour les disjoncteurs d'une intensité nominale supérieure à 100 A. Si le disjoncteur se déclenche, réarmer et déplacer la manette de la position d'arrêt à la position de marche plusieurs fois en étant sous charge, puis refaire l'essai. Si la condition de déclenchement persiste, contacter le bureau des ventes local.

Essai de résistance des contacts

Les essais de résistance des pôles d'un disjoncteur ne sont pas des indicateurs fiables de la performance du disjoncteur parce que les valeurs de résistance sont influencées par un certain nombre de facteurs transitoires, notamment l'oxydation des surfaces de contact, la présence de corps étrangers entre les contacts et les méthodes d'essais. Le paragraphe 6.4.1 de NEMA AB 4 précise: « La chute de tension en millivolts d'un pôle de disjoncteur peut varier de façon notable par suite de la variabilité inhérente due à la très faible résistance des contacts et connecteurs électriques. De telles variations ne prédisent pas nécessairement une performance inacceptable et ne doivent pas être utilisées comme seul critère pour déterminer l'acceptabilité ».

Une résistance élevée des pôles peut être également causée par des contacts érodés, une force de contact faible et une terminaison desserrée. Le seul de ces facteurs à être vraisemblablement présent sur un disjoncteur neuf est une terminaison desserrée, du fait que les contacts sont neufs et que la pression des contacts n'a eu aucune occasion de se dérégler depuis le réglage à l'usine. Une terminaison desserrée peut être corrigée sur place.

Si un essai de résistance des contacts est effectué, il est important de le faire après le conditionnement des contacts par un essai d'injection primaire instantanée afin de s'assurer que les contacts ne montrent aucun film résistif, aucune oxydation et ne comportent pas de corps étrangers. Si le disjoncteur a été en service sans problèmes de performance (surchauffe ou déclenchement intempestif), les mesures de résistance des contacts sont superflues et de peu de valeur.

Square D recommande d'utiliser un ohmmètre numérique à faible résistance DLRO (Digital Low Resistance Ohmmeter), avec un courant d'essai cc de 10 A pour les disjoncteurs d'une intensité nominale inférieure à 100 A, et un courant cc de 100 A pour les disjoncteurs d'une intensité nominale de 100 A et au-dessus. La valeur médiane (du milieu) de trois relevés (en basculant la manette du disjoncteur entre chaque relevé) doit être notée pour chaque pôle essayé. Si cette valeur est égale ou inférieure à la valeur indiquée dans le Valeur maximum de résistance par pôle en micro-ohms, page 19, le pôle est acceptable. Si le relevé est supérieur, la cause doit être recherchée et corrigée si possible. Contacter le bureau des ventes local pour plus de renseignements.

Tableau 3 - Valeur maximum de résistance par pôle en micro-ohms

Disjoncteur		Mi-crohms (μΩ)	Disjoncteur		Mi-crohms (μΩ)	Disjoncteur		Mi-crohms (μΩ)	Disjoncteur		Mi-crohms (μΩ)	
Type	Val. nom.		Type	Val. nom.		Type	Val. nom.		Type	Val. nom.		
FA, FH, FC	15	38 400	KA, KH	70	3 420	MA, MH	125	1 970	LD, LG, LJ, LL, LR	250	630	
	20	23 100		80	2 620		175	1 120		400	240	
	25	14 800		90	2 390		200	890		600	160	
	30	10 400		100	1 930		225	730		NSF, CG, CJ	16	35 000
	35	7 860		110	1 620		250	600			25	14 000
	40	6 010		125	1 250		300	425			32	7 000
	45	5 180		150	890		350	322			40	6 000
	50	4 190		175	680		400	246			50	4 000
	60	2 910		200	540		500	180			63	2 800
	70	2 340		225	430		600	140			80	1 700
80	1 790	250	350	700	115	100	1 100					
90	1 430	KC, KI	110	1 620	800	96	NSJ	400	240			
100	1 160		125	1 250	900	83		600	140			
FD, FG, FJ	15		34 700	150	890	1000		67	MG, MJ	300	780	
	20		19 500	175	680	15		35 000		350	570	
	25		12 500	200	540	20		23 000		400	440	
	30		9 550	225	430	25		14 000		450	350	
	35		7 020	250	350	30		10 400		500	280	
	40		6 800	LA, LH	125	1 500		35		7 860	600	190
	45		5 780		150	1 200		40		6 010	700	140
	50		5 000		175	980		45		5 180	800	110
	60	4 120	200		770	50	4 190	600		138		
	70	3 510	225		610	60	2 910	700		131		
80	3 170	250	510		70	2 340	800	105				
									NA, NC			

Tableau 3 - Valeur maximum de résistance par pôle en micro-ohms (Suite)

Disjoncteur		Mi-crohms (μΩ)	Disjoncteur		Mi-crohms (μΩ)	Disjoncteur		Mi-crohms (μΩ)	Disjoncteur		Mi-crohms (μΩ)
Type	Val. nom.		Type	Val. nom.		Type	Val. nom.		Type	Val. nom.	
FI	90	2 510	LI, LC	300	480	JD, JG, JJ, JL, JR	80	1 790	PA, PH, PC	900	100
	100	2 260		350	330		90	1 430		1000	82
	110	2 060		400	310		100	1 200		1200	69
	125	1 800		300	589		110	1 160		600	132
	20	26 200	350	513	125		1 100	700		123	
	25	17 700	400	308	150		1 020	800		100	
	30	12 300	450	310	175	890	1000	77			
	35	9 070	500	286	200	600	1200	66			
	40	7 330	600	209	225	525	1400	61			
	45	5 790			250	450	1600	50			
	50	4 930					1800	43			
	60	3 420					2000	38			
	70	3 020					2500	33			
80	2 310					NSF, CG, CJ	16	35 000			
90	1 980										
100	1 600										

Retirer les raccordements d'essai

Dès la fin des essais:

- Retirer les raccordements d'essai du disjoncteur.
- Inspecter les raccordements afin de voir s'ils ont été endommagés par les essais.

Renseignements supplémentaires

Pour plus de renseignements sur les disjoncteurs Square D, se reporter au manuel de directives approprié. Ces manuels contiennent des directives d'installation, des renseignements de montage, des mesures de sécurité, des schémas de câblage et des tableaux de dépannage pour des disjoncteurs spécifiques.

Section 4—Essais de performance des disjoncteurs PowerPacTMC

Ces essais contrôlent la performance des disjoncteurs à PowerPacTMC.

Essais de performance

DANGER

RISQUE D'ÉLECTROCUTION, D'EXPLOSION OU D'ÉCLAIR D'ARC

- Portez un équipement de protection individuelle (ÉPI) approprié et observez les méthodes de travail électrique sécuritaire. Voir NFPA 70E ou CSA Z462.
- Seul un personnel qualifié doit effectuer l'installation et l'entretien de cet appareil.
- Coupez toutes les alimentations à cet appareil avant d'y travailler.
- Utilisez toujours un dispositif de détection de tension avec une valeur nominale appropriée pour vous assurer que l'alimentation est coupée.
- Remplacez tous les dispositifs, les portes et les couvercles avant de mettre l'appareil sous tension.
- Ne touchez pas les bornes ou fils de connexion d'essai d'un disjoncteur alors que celui-ci est en cours de vérification.

Le fait de ne pas suivre ces instructions entrainera des blessures graves, voire mortelles.

Effectuer les essais de performance dans l'ordre donné pour maximiser la précision des résultats des essais.

REMARQUE: Ne jamais faire un essai de résistance des contacts avant d'avoir fait des essais d'injection primaire instantanée. Les essais d'injection primaire assureront que les contacts ne montrent aucun signe de film résistif, d'oxydation et de présence de corps étrangers.

Les essais suivants sont destinés à vérifier le bon fonctionnement d'un disjoncteur. Des conditions d'essais contrôlées de façon précise par l'usine sont utilisées pour établir les courbes des caractéristiques du déclenchement. Si les résultats d'essais sur place tombent en dehors de la bande de tolérance pour les caractéristiques des courbes de déclenchement, évaluer la précision des conditions et méthodes d'essais avec attention.

Lorsque des conditions ou résultats douteux sont observés au cours d'une inspection et d'essais de performance, consulter le bureau des ventes local. Les disjoncteurs dotés d'accessoires ou modifiés à l'usine peuvent exiger une investigation spéciale. S'il est nécessaire de renvoyer un disjoncteur à l'établissement de fabrication, employer un emballage et des matériaux d'emballage appropriés pour éviter tout endommagement durant le transport.

Essai de résistance d'isolation (essais diélectriques)

AVIS

RISQUE DE DOMMAGES MATÉRIELS

- Les essais de résistance d'isolation (essais diélectriques) peuvent endommager les déclencheurs MicroLogicMC 5.0/6.0P ou 5.0/6.0H.
- Retirez la fiche de valeur nominale du déclencheur avant de procéder aux essais.
- Remplacez le déclencheur si la fiche de valeur nominale n'a pas été retirée durant les essais ou si le déclencheur a été exposé à plus de 700 Vca.

Le fait de ne pas suivre ces instructions peut endommager l'équipement.

Des conditions d'environnement sévères peuvent réduire la rigidité diélectrique des disjoncteurs à boîtier moulé. Vérifier la résistance de l'isolation pendant un essai du système électrique. Pour vérifier la résistance d'isolation, procéder comme suit :

1. Mettre hors tension et isoler le disjoncteur.
2. Nettoyer le disjoncteur comme décrit antérieurement.
3. En utilisant un mégohmmètre avec une capacité de 500 à 1000 Vcc appliquer la tension entre : a. Chaque phase à la terre avec le disjoncteur en position de marche (I), contacts du disjoncteur fermés. b. Phase à phase avec le disjoncteur en position de marche (I), contacts du disjoncteur fermés. c. Entre chaque borne de ligne et de charge avec le disjoncteur en position d'arrêt (O), contacts du disjoncteur ouverts.
4. Noter les valeurs de résistance. Les valeurs de résistance inférieures à un mégohm (1 000 000 Ohms) doivent être examinées.

REMARQUE: Les déclencheurs MicroLogic 5.2E 5.3E, 6.2E, 6.3E ont une certaine fuite normale due à des circuits internes pour le mesurage. Lors d'essais de systèmes possédant plus de 10 disjoncteurs avec ces déclencheurs, il peut être nécessaire d'ouvrir certains de ces disjoncteurs à la fois pour s'assurer que tous les disjoncteurs et l'appareillage sont en bon état et que la résistance d'isolation se maintient dans des limites acceptables.

Vérifications d'un déclencheur MicroLogicMC

L'essai de fonctionnement des déclencheurs sur les disjoncteurs munis de déclencheurs MicroLogicMC peut se faire au moyen d'une injection secondaire à l'aide d'une des trousse d'essai disponibles. (Voir la Section 6—Appareils d'essai disponibles, page 46 pour les trousse d'essai disponibles par disjoncteur).

L'essai d'injection secondaire ne vérifie pas les transformateurs de courant et les raccordements. L'essai d'injection primaire peut être utilisé pour s'assurer que toutes les connexions du système de déclenchement ont été correctement effectuées.

Si le disjoncteur est vérifié par la méthode d'injection primaire, le système PowerLogic™ peut rester raccordé au disjoncteur pendant l'essai sans affecter les résultats.

REMARQUE: L'essai d'un disjoncteur raccordé à un système Powerlogic fait ce dernier réagir comme si le disjoncteur subissait des défauts réels.

Procédure de neutralisation de l'interverrouillage sélectif de zone

L'interverrouillage sélectif de zone est une méthode de communication entre des dispositifs de protection électronique de déclenchement sur surintensité. L'interverrouillage sélectif de zone permet aux dispositifs interverrouillés à des niveaux différents de fonctionner ensemble comme un système dans lequel un

court-circuit ou un défaut à la terre est isolé et corrigé dans un délai minimum. L'objectif d'une neutralisation d'un interverrouillage sélectif de zone est de vérifier les caractéristiques des fonctions spécifiques de retard de déclenchement à temps court et sur défaut à la terre du disjoncteur.

Essai d'injection secondaire

L'installation sur place d'un déclencheur nécessite des essais d'injection secondaire à l'aide d'une trousse d'essai des fonctions complètes pour les disjoncteurs PowerPacT à châssis P et R et d'un module de maintenance UTA pour les disjoncteurs PowerPacT à châssis H, J et L. Cela assurera que le déclencheur nouvellement installé fonctionnera correctement. L'essai impose d'ouvrir et de fermer le disjoncteur. Suivre les procédures détaillées dans les directives d'utilisation expédiées avec le disjoncteur et la trousse d'essai des fonctions complètes.

1. S'assurer que le disjoncteur est isolé de tous les dispositifs en amont et en aval.
2. Exécuter un essai d'injection secondaire comme expliqué dans les directives d'utilisation expédiées avec la trousse d'essai des fonctions complètes ou le module de maintenance UTA. Vérifier si toutes les fonctions utilisables du déclencheur fonctionnent correctement.
3. Répéter le point 2 avec le disjoncteur en position ouverte

REMARQUE: La trousse d'essai indique que le disjoncteur doit être fermé lors de la réalisation de l'essai. Ne pas fermer le disjoncteur pour cette étape.
4. Si certains essais échouent, ne pas mettre le disjoncteur en service et contacter le bureau de vente local pour obtenir un service autorisé par l'usine.

Essai d'injection primaire

L'essai d'injection primaire peut être utilisé pour s'assurer que toutes les connexions du système de déclenchement ont été correctement effectuées.

REMARQUE: L'essai par injection secondaire continue d'être la méthode préférée de Schneider Electric pour les essais de disjoncteurs. Un essai par injection primaire inadéquat peut entraîner l'endommagement des disjoncteurs. L'inobservation de la méthode appropriée pour les essais par injection primaire pourrait aboutir à un essai réussi pour les disjoncteurs, alors qu'en fin de compte l'intégrité à long terme des disjoncteurs sera endommagée.

AVIS

RISQUE DE DOMMAGES MATÉRIELS

Effectuez le raccordement d'un disjoncteur avec soin, en utilisant un câble de valeur nominale appropriée et des méthodes de raccordement adéquates. N'utilisez pas de colliers, brides ou autres méthodes pouvant rayer ou autrement endommager le fini des connecteurs.

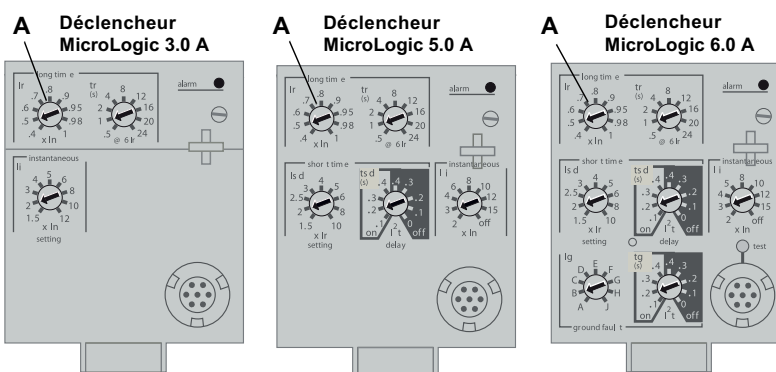
Le fait de ne pas suivre ces instructions peut endommager l'équipement.

1. En cas d'exécution d'un essai d'injection primaire sur des disjoncteurs fixes, raccorder le disjoncteur à l'alimentation en utilisant un câble de valeur nominale appropriée et une méthode de raccordement adéquate.
2. Noter tous les réglages d'origine des commutateurs du déclencheur. (Les réglages doivent être refaits après la fin des essais).

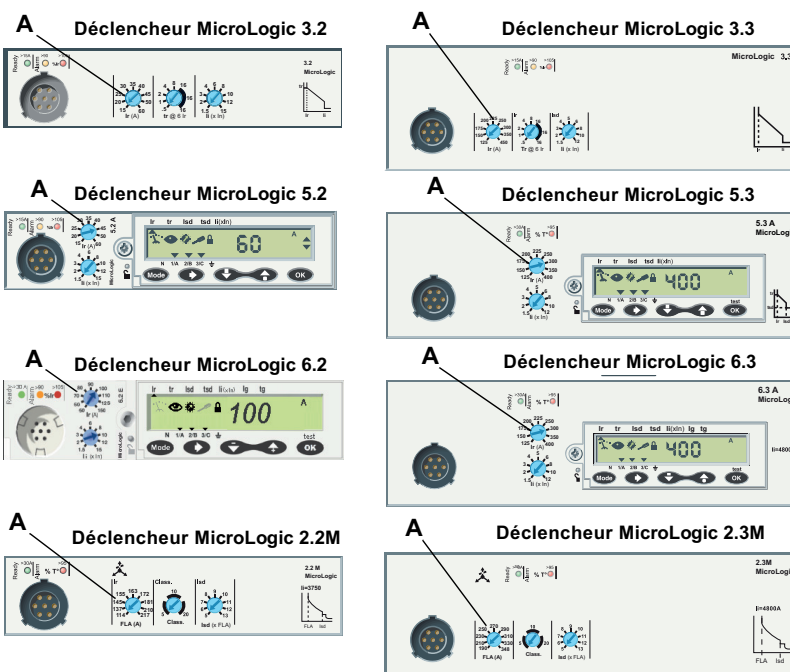
3. Régler le commutateur d'enclenchement de longue durée (I_r) au réglage minimum.

Figure 1 - Enclenchement de longue durée (I_r)

PowerPacT châssis P et R



PowerPacT châssis H, J et L



- Pour les déclencheurs sur défaut de terre ou à interverrouillage sélectif de zone, utiliser la trousse d'essais pour inhiber les fonctions de défaut à la terre et d'interverrouillage sélectif de zone.
- Si une alimentation auxiliaire est utilisée pour le déclencheur MicroLogic, débrancher l'alimentation auxiliaire.
- Trouver le courant d'injection primaire nécessaire en multipliant le courant d'enclenchement de longue durée (réglage d'enclenchement de longue durée $I_r \times$ capteur enfichable I_n) $\times 1,25$ % (c.-à-d., $I_r \times I_n \times 1,25$).
- Injecter le courant primaire dans la phase A et surveiller le voyant de surcharge. Vérifier si le voyant de surcharge (A) s'allume dans la gamme de 105 % à 120 % de la valeur de $I_r \times I_n$.

REMARQUE: DÉL sur les disjoncteurs à châssis H, J et L :

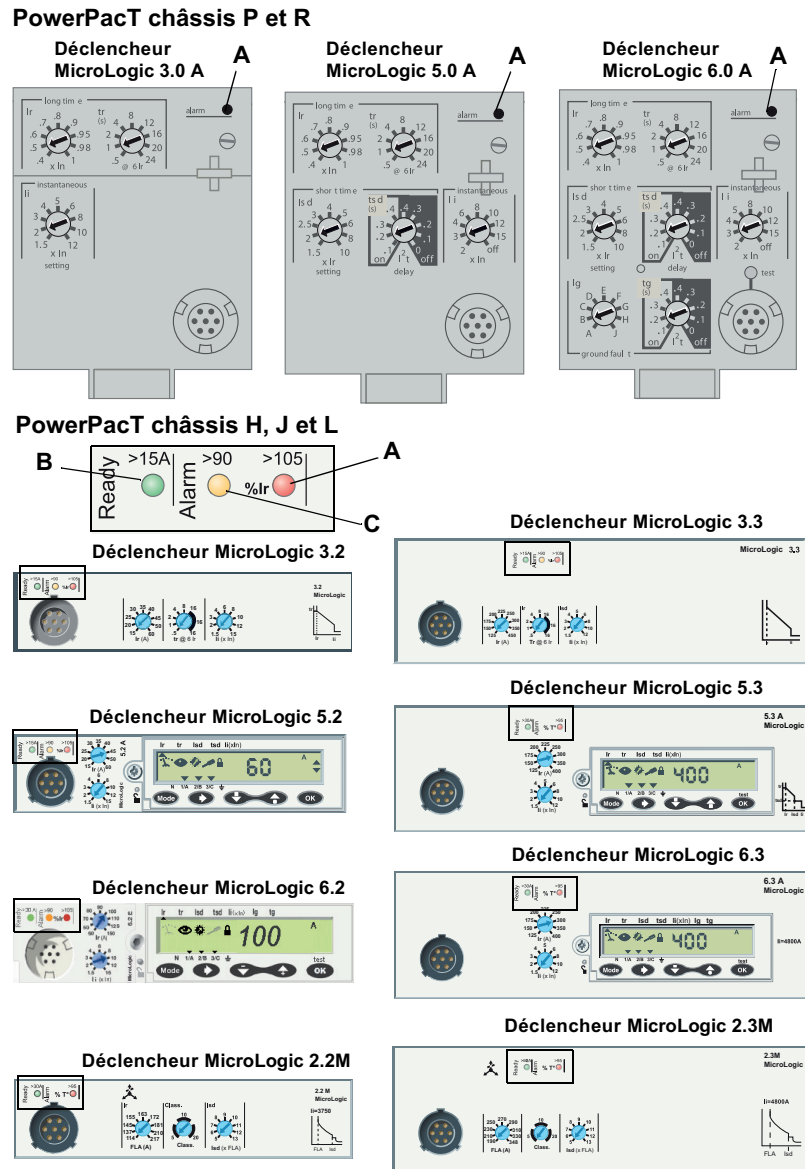
La DÉL verte « Ready » (B) clignote lentement quand le déclencheur électronique est prêt à fournir une protection. Elle indique que le déclencheur fonctionne correctement.

DÉL orange de pré-alarme de surcharge (C) : allumée stable quand $I > 90$ % I_r

DÉL rouge de surcharge (A) : allumée stable quand $I > 105$ % I_r

- e. Répéter pour toutes les phases et le neutre, le cas échéant.
- f. Si un voyant lumineux de surcharge ne s'allume pas correctement, vérifier tous les raccordements du déclencheur et la configuration des essais. Si l'essai d'injection primaire du déclencheur échoue encore, s'adresser au bureau de vente local.

Figure 2 - Voyant de surcharge



Disjoncteurs avec protection intégrale contre les défauts à la terre

Les disjoncteurs à déclenchement électronique MicroLogic munis de la fonction de protection intégrale contre les défauts à la terre demandent une attention spéciale lors de la vérification des fonctions de surcharge et de court-circuit. Les fonctions d'essais d'injection primaire unipolaires pour la surintensité à retard inversé, à temps court et instantané, entraîneront des déclenchements sur défaut à la terre dus au chemin du courant de retour ne passant pas par le disjoncteur. Pour surmonter cette difficulté, utiliser une trousse d'essai portable ou des fonctions complètes pour neutraliser la fonction de défaut à la terre sur les disjoncteurs PowerPacT munis de déclencheurs MicroLogic.

Protection contre les défauts à la terre et essais d'indication seulement pour les systèmes radiaux

⚠ ⚠ DANGER

RISQUE D'ÉLECTROCUTION, D'EXPLOSION OU D'ÉCLAIR D'ARC

- Portez un équipement de protection individuelle (ÉPI) approprié et observez les méthodes de travail électrique sécuritaire. Voir NFPA 70E ou CSA Z462.
- Seul un personnel qualifié doit effectuer l'installation et l'entretien de cet appareil.
- Coupez toutes les alimentations à cet appareil avant d'y travailler.
- Utilisez toujours un dispositif de détection de tension avec une valeur nominale appropriée pour vous assurer que l'alimentation est coupée.
- Remplacez tous les dispositifs, les portes et les couvercles avant de mettre l'appareil sous tension.

Le fait de ne pas suivre ces instructions entraînera des blessures graves, voire mortelles.

Essai de déclenchement sur défauts à la terre

La fonction de défaut à la terre d'un disjoncteur à déclenchement électronique MicroLogic fournit une protection contre les défauts à la terre à un appareil avec des valeurs d'enclenchement et de retard réglables. La caractéristique de retard de défaut à la terre détermine combien de temps le disjoncteur attend avant d'initialiser un signal de déclenchement durant un défaut à la terre. La performance des fonctions de défauts à la terre du disjoncteur peut être vérifiée à l'aide d'une alimentation ca capable de délivrer des courants élevés, basse tension.

Procédure d'essai

1. Désactiver complètement et retirer le disjoncteur du service.
2. Avant les essais, noter le réglage de l'enclenchement et du retard pour toute fonction. Remettre le déclencheur aux mêmes réglages après avoir terminé la procédure des essais.
3. En cas de vérification d'un disjoncteur équipé d'un interverrouillage sélectif de zone, suivre la procédure pour neutraliser l'interverrouillage sélectif de zone indiquée à la Procédure de neutralisation de l'interverrouillage sélectif de zone, page 38. En cas d'utilisation d'une trousse d'essai d'injection secondaire pour ces essais, lire et observer attentivement les directives de la trousse d'essai sur l'interverrouillage sélectif de zone.

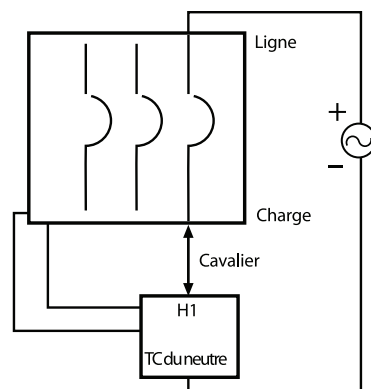
REMARQUE: Ne pas neutraliser l'interverrouillage sélectif de zone aboutira à une imprécision des temps de déclenchement.

4. Utiliser ces réglages pour l'essai:
Enclenchement de longue durée/Intensité nominale = Max.
Retard de longue durée/Surcharge = Max
Retard de courte durée /Court-circuit = Max. (I_{2t} IN ou ON)
Instantané = Max.
Enclenchement sur défaut à la terre = Min.
Retard de défaut à la terre = 0,2

5. Suivre la procédure de raccordement appropriée pour l'application de l'essai.
 Pour les disjoncteurs sans transformateur de courant de neutre, passer au point 8.
 Pour les disjoncteurs avec la fonction de défaut à la terre intégrale dans un système triphasé à quatre fils, un transformateur de courant (TC) de neutre monté en externe doit être utilisé. Le TC de neutre est raccordé au disjoncteur par un câble blindé (un fil de calibre 14 AWG [2,1 mm²] est recommandé).

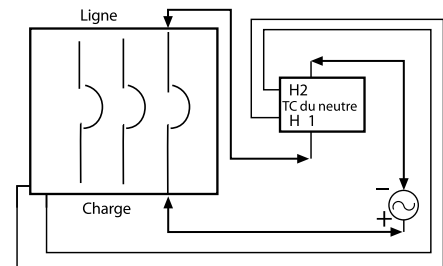
REMARQUE: Lors d'un essai, déconnecter ou couper l'alimentation de commande de 24 Vcc vers F1 et F2, si ainsi équipé, et déconnecter la trousse d'essai portative ou des fonctions complètes du déclencheur, si elle est connectée.

Figure 3 - Schéma de raccordement d'essai pour un essai de mise en phase du TC de neutre



Voir les directives d'utilisation du disjoncteur pour les raccordements au disjoncteur et au TC de neutre.

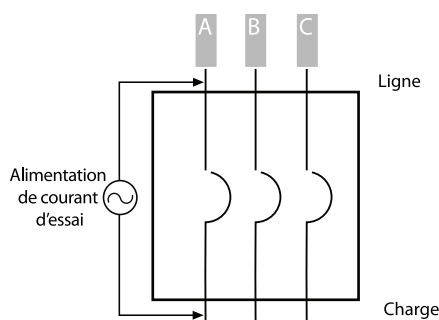
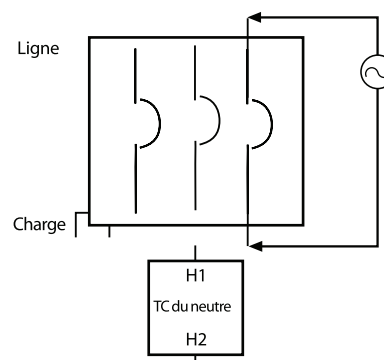
Figure 4 - Schéma de raccordement d'essai pour un essai de taille du TC de neutre



Voir les directives d'utilisation du disjoncteur pour les raccordements au disjoncteur et au TC de neutre.

6. Vérifier que la séquence des phases du TC de neutre est correcte (systèmes triphasés à quatre fils) en effectuant un essai de non déclenchement comme suit:
 - a. Raccorder le disjoncteur et le TC de neutre comme indiqué à la Schéma de raccordement d'essai pour un essai de mise en phase du TC de neutre, page 28. Le cavalier doit aller du raccordement local sur le disjoncteur au raccordement H1 sur le TC de neutre CT (ou sur le côté du TC de neutre avec un point rouge). Raccorder le secondaire du TC de neutre conformément au manuel de directives du disjoncteur ou aux directives du TC de neutre.
 - b. Appliquer le courant au-dessus du niveau d'enclenchement d'un défaut à la terre et le maintenir plus longtemps que le retard de défaut à la terre.
 - c. Le disjoncteur ne doit pas se déclencher. L'absence de déclenchement indique que le TC de phase ainsi que le TC de neutre sont connectés correctement.

7.

Figure 5 - Schéma de raccordement d'essai pour un disjoncteur sans TC de neutre**Figure 6 - Schéma de raccordement d'essai pour un essai d'enclenchement et de retard de défaut à la terre**

Vérifier que la taille du TC de neutre est correcte (systèmes triphasés à quatre fils) en effectuant un essai de déclenchement comme suit:

- a. Raccorder le disjoncteur et le TC de neutre comme indiqué à la Schéma de raccordement d'essai pour un essai de taille du TC de neutre, page 28. Raccorder la borne de polarité (+) de l'unité d'injection de courant élevé au côté charge du disjoncteur. Le cavalier doit aller du raccordement côté ligne sur le disjoncteur au raccordement H1 sur le TC de neutre CT (ou sur le côté du TC de neutre avec un point rouge). Raccorder la borne de non polarité (-) de l'unité d'injection de courant élevé à H2 sur le TC de neutre (sur le côté ligne du disjoncteur). Raccorder le secondaire du TC de neutre conformément au manuel de directives du disjoncteur ou aux directives du TC de neutre.
- b. Appliquer le courant.
- c. Le disjoncteur doit se déclencher à la moitié de la valeur de l'enclenchement d'un défaut à la terre. Un déclenchement indique que le TC de phase et le TC de neutre ont le même rapport de spires (même taille).

8. Vérifier l'enclenchement et le retard de défaut à la terre en effectuant un essai de déclenchement comme suit:
- a. Raccorder le disjoncteur comme indiqué à la Schéma de raccordement d'essai pour un disjoncteur sans TC de neutre, page 29, (systèmes triphasés à trois fils) ou à la Schéma de raccordement d'essai pour un essai d'enclenchement et de retard de défaut à la terre, page 29 (systèmes triphasés à quatre fils).
- REMARQUE:** La méthode recommandée d'essai d'enclenchement et de retard de défaut à la terre est la méthode « d'impulsion ». Cette méthode sera la plus précise, mais nécessite que l'appareil d'essai soit muni d'un oscilloscope étalonné à retenue d'image ou d'un ampèremètre numérique à cadence d'échantillonnage rapide. Un chronomètre précis est nécessaire pour enregistrer le retard.
- b. Après avoir raccordé et fermé le circuit correctement, appliquer le courant en impulsions courtes d'une durée de 10 cycles. En démarrant à 70 % de la valeur de déclenchement envisagée, augmenter le courant à chaque impulsion suivante jusqu'à ce que le disjoncteur se déclenche.
 - c. Refermer le disjoncteur et réduire le niveau du courant; lancer une autre impulsion afin de déterminer si le niveau d'enclenchement trouvé était dépassé.
 - d. Répéter les points b et c pour isoler davantage le point d'enclenchement.
 - e. Pour déterminer le retard, essayer chaque pôle du disjoncteur individuellement à 150 % du réglage d'enclenchement de défaut à la terre. Surveiller le temps à compter du point d'enclenchement jusqu'à ce que le disjoncteur se déclenche pour obtenir le retard.
 - f. Noter les valeurs d'enclenchement et de retard et comparer les résultats à la courbe de déclenchement.

L'essai de défaut à la terre peut se faire également à l'aide d'un essai d'injection secondaire en utilisant la trousse d'essai des fonctions complètes. L'essai d'injection secondaire ne vérifie pas les transformateurs de courant et les raccordements.

Essai de résistance des contacts

Les essais de résistance des pôles d'un disjoncteur ne sont pas des indicateurs fiables de la performance du disjoncteur parce que les valeurs de résistance sont influencées par un certain nombre de facteurs transitoires, notamment l'oxydation des surfaces de contact, la présence de corps étrangers entre les contacts et les méthodes d'essais. Le paragraphe 6.4.1 de NEMA AB 4 précise: « La chute de tension en millivolts d'un pôle de disjoncteur peut varier de façon notable par suite de la variabilité inhérente due à la très faible résistance des contacts et connecteurs électriques. De telles variations ne prédisent pas nécessairement une performance inacceptable et ne doivent pas être utilisées comme seul critère pour déterminer l'acceptabilité ».

Une résistance élevée des pôles peut être également causée par des contacts érodés, une force de contact faible et une terminaison desserrée. Le seul de ces facteurs à être vraisemblablement présent sur un disjoncteur neuf est une terminaison desserrée, du fait que les contacts sont neufs et que la pression des contacts n'a eu aucune occasion de se dérégler depuis le réglage à l'usine. Une terminaison desserrée peut être corrigée sur place.

Si un essai de résistance des contacts est effectué, il est important de le faire après le conditionnement des contacts par un essai d'injection primaire instantanée afin de s'assurer que les contacts ne montrent aucun film résistif, aucune oxydation et ne comportent pas de corps étrangers. Si le disjoncteur a été en service sans problèmes de performance (surchauffe ou déclenchement intempestif), les mesures de résistance des contacts sont superflues et de peu de valeur.

Square D recommande d'utiliser un ohmmètre numérique à faible résistance DLRO (Digital Low Resistance Ohmmeter), avec un courant d'essai cc de 10 A pour les disjoncteurs d'une intensité nominale inférieure à 100 A, et un courant cc de 100 A pour les disjoncteurs d'une intensité nominale de 100 A et au-dessus. La valeur médiane (du milieu) de trois relevés (en basculant la manette du disjoncteur entre chaque relevé) doit être notée pour chaque pôle essayé. Si cette

valeur est égale ou inférieure à la valeur indiquée dans le Valeur maximum de résistance par pôle en micro-ohms, page 31, le pôle est acceptable. Si le relevé est supérieur, la cause doit être recherchée et corrigée si possible. Contacter le bureau des ventes local pour plus de renseignements.

Tableau 4 - Valeur maximum de résistance par pôle en micro-ohms

PowerPacT		Microhms ($\mu\Omega$)
Type	Val. nom.	
HD, HG, HJ, HL, HR	60	1 500
	100	1 200
	150	600
JD, JG, JJ, JL, JR	250	450
LD, LG, LJ, LL, LR	250	630
	400	240
	600	160
DG, DJ, DL	400	240
	600	140
PG, PJ, PK, PL	250	488
	400	200
	600	114
	800	78
	1000	55
	1200	39
RG, RJ, RK, RL	600	106
	800	81
	1000	63
	1200	53
	1600	50
	2000	38
	2500	33

Retirer les raccordements d'essai

Dès la fin des essais:

- Retirer les raccordements d'essai du disjoncteur.
- Inspecter les raccordements afin de voir s'ils ont été endommagés par les essais.
- Remettre le commutateur d'enclenchement de longue durée à ses réglages d'origine, telle que notée ci-dessus.
- Si une alimentation auxiliaire est utilisée pour le déclencheur MicroLogic, rebrancher l'alimentation auxiliaire.

Renseignements supplémentaires

Pour plus de renseignements sur les disjoncteurs Square D, se reporter au manuel de directives approprié. Ces manuels contiennent des directives d'installation, des renseignements de montage, des mesures de sécurité, des

schémas de câblage et des tableaux de dépannage pour des disjoncteurs spécifiques.

Section 5—Essais de performance pour les disjoncteurs à déclenchement électronique LE/LX, ME/MX, PE/PX et SE anciens

Essais de performance des disjoncteurs en général

⚠ ⚠ DANGER

RISQUE D'ÉLECTROCUTION, D'EXPLOSION OU D'ÉCLAIR D'ARC

- Portez un équipement de protection individuelle (ÉPI) approprié et observez les méthodes de travail électrique sécuritaire. Voir NFPA 70E ou CSA Z462.
- Seul un personnel qualifié doit effectuer l'installation et l'entretien de cet appareil.
- Coupez toutes les alimentations à cet appareil avant d'y travailler.
- Utilisez toujours un dispositif de détection de tension avec une valeur nominale appropriée pour vous assurer que l'alimentation est coupée.
- Remplacez tous les dispositifs, les portes et les couvercles avant de mettre l'appareil sous tension.
- Ne touchez pas les bornes ou fils de connexion d'essai d'un disjoncteur alors que celui-ci est en cours de vérification.

Le fait de ne pas suivre ces instructions entrainera des blessures graves, voire mortelles.

Effectuer les essais de performance dans l'ordre donné pour maximiser la précision des résultats des essais.

REMARQUE: Ne jamais faire un essai de résistance des contacts avant d'avoir fait des essais d'injection primaire instantanée. Les essais d'injection primaire assureront que les contacts ne montrent aucun signe de film résistif, d'oxydation et de présence de corps étrangers.

Les essais suivants sont destinés à vérifier le bon fonctionnement d'un disjoncteur. Des conditions d'essais contrôlées de façon précise par l'usine sont utilisées pour établir les courbes des caractéristiques du déclenchement. Si les résultats d'essais sur place tombent en dehors de la bande de tolérance pour les caractéristiques des courbes de déclenchement, évaluer la précision des conditions et méthodes d'essais avec attention.

Lorsque des conditions ou résultats douteux sont observés au cours d'une inspection et d'essais de performance, consulter le bureau des ventes local. Les disjoncteurs dotés d'accessoires ou modifiés à l'usine peuvent exiger une investigation spéciale. S'il est nécessaire de renvoyer un disjoncteur à l'établissement de fabrication, employer un emballage et des matériaux d'emballage appropriés pour éviter tout endommagement durant le transport. Les instructions de réemballage sont fournies dans le manuel de directives du disjoncteur.

AVIS

RISQUE DE DOMMAGES MATÉRIELS

N'appliquez pas la tension d'essai aux circuits de contrôle ou aux bornes d'accessoires; l'endommagement de composants électroniques ou basse tension pourrait en résulter.

Le fait de ne pas suivre ces instructions peut endommager l'équipement.

Essai de résistance d'isolation

Des conditions d'environnement sévères peuvent réduire la rigidité diélectrique des disjoncteurs à boîtier moulé. Vérifier la résistance de l'isolation pendant un essai du système électrique

Pour vérifier la résistance d'isolation, procéder comme suit :

1. Mettre le disjoncteur hors tension et l'isoler.
2. Nettoyer le disjoncteur comme décrit antérieurement.
3. En utilisant un mégohmmètre avec une capacité de 500 à 1 000 V cc, appliquer la tension entre :
 - a. Chaque phase et la terre avec le disjoncteur en position de marche (I), contacts du disjoncteur fermés.
 - b. Phase à phase avec le disjoncteur en position de marche (I), contacts du disjoncteur fermés.
 - c. Entre chaque borne de ligne et charge avec le disjoncteur en position d'arrêt (O), contacts du disjoncteur ouverts.
4. Noter les valeurs de résistance. Les valeurs de résistance inférieures à un mégohm (1 000 000 Ohms) doivent être examinées.

Essais des disjoncteurs à déclenchement électronique MicroLogicMC

AVIS

RISQUE DE DOMMAGES MATÉRIELS

- Les disjoncteurs sont lourds et peuvent être endommagés par suite d'une manutention inappropriée. Prenez des précautions lorsque vous manipulez ou déplacez un disjoncteur vers un appareil de vérification.
- Effectuez le raccordement d'un disjoncteur avec soin, en utilisant un câble de valeur nominale appropriée et des méthodes de raccordement adéquates. N'utilisez pas de colliers, brides ou autres méthodes pouvant rayer ou autrement endommager le fini des connecteurs.

Le fait de ne pas suivre ces instructions peut endommager l'équipement.

Essai de déclenchement de longue durée

L'intensité nominale de longue durée définit le niveau maximum de courant que le disjoncteur supportera de façon continue. Les disjoncteurs à déclenchement électronique MicroLogicMC s'enclenchent et commencent à enregistrer le temps dès qu'un courant de phase dépasse $110 \% \pm 10 \%$ de l'intensité nominale. La fonction de retard de longue durée permet des variations de la caractéristique du délai à retard inversé du disjoncteur. Ce délai détermine pendant combien de temps le disjoncteur supportera une surintensité soutenue avant d'initialiser un signal de déclenchement. La performance des fonctions de surintensité de retard inversé du disjoncteur peut être vérifiée à l'aide d'une alimentation capable de délivrer un courant élevé, basse tension.

1. Désactiver complètement et retirer le disjoncteur du service.
2. Avant les essais, noter les réglages d'enclenchement et de retard pour toutes les fonctions. Important : remettre le déclencheur à ces mêmes réglages après avoir accompli la procédure de vérification.
3. Si le disjoncteur MicroLogic est doté de la fonction de protection intégrale contre les défauts à la terre, se reporter aux procédures de vérification pour les disjoncteurs ainsi équipés, à la Disjoncteurs avec protection intégrale contre les défauts à la terre, page 38, avant de continuer la procédure de vérification.

4. Utiliser les réglages suivants pour l'essai:

Enclenchement de longue durée/Intensité nominale = Max.

Retard de longue durée/Surcharge= Min.

Court-circuit/Court-circuit = Max.

Retard de courte durée /Court-circuit = Max. (1^{er} IN ou ON)

Instantané = Max.

REMARQUE: L'étiquetage et les fonctions du déclencheur sont spécifiés par les numéros de série et de catalogue du disjoncteur. Les numéros de série et de catalogue sont imprimés sur le disjoncteur.

5. Raccorder le disjoncteur à une alimentation ca capable de délivrer un courant élevé, basse tension. Raccorder le disjoncteur à une source d'alimentation d'essai à l'aide de tout câblage de longueur convenable et de calibre adéquat.

6. Vérifier toutes les phases du disjoncteur individuellement, ou par paires, pour les disjoncteurs munis de la protection intégrale contre les défauts à la terre, comme requis dans les procédures de vérification spéciales à la Disjoncteurs avec protection intégrale contre les défauts à la terre, page 38.

7. Utiliser la méthode d'essai à « accroissement » lent pour déterminer le niveau d'enclenchement. Augmenter lentement le courant jusqu'à ce que le voyant d'enclenchement de longue durée brille de façon continue; ceci est défini comme le niveau d'enclenchement.

REMARQUE: Tous les disjoncteurs à déclenchement électronique MicroLogic sont munis d'une mémoire de longue durée/surcharge ou d'une imagerie thermique. La mémoire de longue durée/surcharge peut être remise à zéro à l'aide du module approprié de remise à zéro de la mémoire. Consulter le bureau de vente local pour obtenir des renseignements supplémentaires sur les modules de remise à zéro de la mémoire et les trousse d'essai. Si le module de remise à zéro de la mémoire n'est pas utilisé, attendre au moins 15 minutes pour permettre à la mémoire de s'effacer et de se remettre à zéro avant de continuer les essais.

8. Pour déterminer le délai de déclenchement, régler le courant à 300 % de la valeur nominale de l'intensité. Surveiller le temps depuis le point d'enclenchement jusqu'au déclenchement du disjoncteur; c'est le délai de déclenchement.

9. Noter les valeurs de l'enclenchement et du retard et les comparer à la courbe de déclenchement appropriée.

L'essai de déclenchement de longue durée peut aussi se faire à l'aide de la trousse d'essai d'injection secondaire UTS3. Ces appareils d'essai d'injection secondaire ne vérifient pas les transformateurs de courant et les raccordements.

Essai de déclenchement de courte durée

La caractéristique d'enclenchement de courte durée d'un disjoncteur à déclenchement électronique MicroLogic ajuste le niveau de courant auquel le retard de courte durée commence à enregistrer le temps. Les niveaux d'enclenchement de courte durée sont des multiples de la taille des capteurs par le multiplicateur de la fiche de valeur nominale. La fonction de retard de courte durée détermine pendant combien de temps le disjoncteur attendra avant d'initialiser un signal de déclenchement pendant un court-circuit. La performance des fonctions de courte durée du disjoncteur peut être vérifiée à l'aide d'une alimentation ca capable de délivrer un courant élevé, basse tension.

1. Dans le cas d'essai d'un disjoncteur équipé d'un interverrouillage sélectif de zone, suivre la procédure pour neutraliser l'interverrouillage sélectif de zone décrite à la Procédure de neutralisation de l'interverrouillage sélectif de zone, page 38. En cas d'utilisation d'une trousse d'essai d'injection secondaire pour ces essais, lire et observer attentivement les directives de la trousse d'essai sur l'interverrouillage sélectif de zone.

REMARQUE: Ne pas neutraliser l'interverrouillage sélectif de zone entraînera un déclenchement sans retard intentionnel.

2. Si le déclencheur du disjoncteur MicroLogic est muni de la fonction de protection intégrale contre les défauts à la terre, se reporter aux procédures de vérification pour un disjoncteur muni de cette fonction, à la *Disjoncteurs avec protection intégrale contre les défauts à la terre*, page 38, avant de continuer.
3. Les disjoncteurs débrochables SE dotés de la fonction de protection intégrale contre les défauts à la terre requièrent une fiche adaptatrice (numéro de catalogue SEPITK2) lorsqu'ils sont complètement retirés de la cellule. La fiche adaptatrice fait les raccordements de cavaliers nécessaires sur le circuit secondaire. Ces raccordements de cavaliers sont normalement faits quand le disjoncteur est en position connectée. Suivre les directives fournies avec la fiche pour assurer une application correcte.
4. Utiliser les réglages suivants pour l'essai:
 - Enclenchement de longue durée/Intensité nominale = Max.
 - Retard de longue durée/Surcharge = Max
 - Enclenchement de courte durée/Court-circuit = Min.
 - Retard de courte durée/Court-circuit = Min.
 - Instantané = Max.

REMARQUE: Pour les déclencheurs LE série 1B, ME séries 3, 4, 5, 5A, 5B, NE séries 1, 2, 3, 3A, 3B, PE séries 4, 5, 6, 6A, 6B et SE séries 2, 3, 3A, 3B, le réglage minimum de courte durée/court-circuit sera 0,1 I_n OUT.

5. Raccorder le disjoncteur à la source d'essai à l'aide de toute longueur convenable de conducteur.
6. Pour les disjoncteurs sans protection contre les défauts à la terre, essayer tous les pôles du disjoncteur individuellement. Pour les disjoncteurs munis de la protection intégrale contre les défauts à la terre, essayer chaque pôle du disjoncteur comme noté dans la procédure de vérification spéciale indiquée à la *Disjoncteurs avec protection intégrale contre les défauts à la terre*, page 38.
7. Essai d'enclenchement de courte durée

Après avoir raccordé le disjoncteur de façon appropriée, injecter dans la phase soumise à l'essai une valeur de courant juste en dessous de la valeur d'enclenchement minimale indiquée par la courbe de déclenchement. La durée du courant d'essai doit être plus longue que le temps du délai de déclenchement envisagé (déterminé à partir de la courbe de déclenchement). Le disjoncteur ne devrait pas se déclencher. Répéter l'essai en utilisant la valeur d'enclenchement maximale indiquée par la courbe de déclenchement. Le disjoncteur devrait se déclencher, indiquant un niveau d'enclenchement acceptable. Si le disjoncteur ne se déclenche pas dans le délai attendu, terminer l'essai afin d'éviter un endommagement thermique du disjoncteur. Si une valeur précise d'enclenchement est désirée, répéter l'essai à des niveaux de courant entre le maximum et le minimum. La valeur de courant la plus basse à laquelle le disjoncteur se déclenche est la valeur d'enclenchement.
8. Essai de retard de courte durée

Après avoir raccordé le disjoncteur de façon appropriée, appliquer 150 % de la valeur nominale d'enclenchement de courte durée. Le disjoncteur devrait se déclencher dans les limites de temps définies par la courbe de déclenchement. Si le disjoncteur ne se déclenche pas dans les limites de temps attendues, débrancher l'alimentation afin d'éviter un endommagement thermique du disjoncteur.

REMARQUE: Tous les disjoncteurs à déclenchement électronique MicroLogic sont munis d'une mémoire de longue durée/surcharge ou d'une imagerie thermique. Les impulsions de surintensité sont utilisées pour vérifier l'enclenchement et le délai de courte durée et s'ajoutent à cette mémoire. Si le disjoncteur se déclenche à une valeur de courant plus basse que celle envisagée après plusieurs impulsions de surintensité, il est possible qu'il se déclenche sur la fonction de longue durée. La mémoire de longue durée/surcharge peut être remise à zéro à l'aide du module approprié de remise à zéro de la mémoire. Si le module de remise à zéro de la mémoire n'est pas utilisé, attendre au moins 15 minutes pour permettre à la mémoire de s'effacer et de se remettre à zéro avant de continuer les essais.

L'essai de déclenchement de courte durée peut aussi se faire à l'aide de la trousse d'essai d'injection secondaire UTS3. Ces appareils d'essai d'injection secondaire ne vérifient pas les transformateurs de courant et les raccordements.

Essai du déclenchement instantané

La fonction de déclenchement instantané d'un disjoncteur à déclenchement électronique MicroLogic détermine le niveau de courant auquel le disjoncteur se déclenche sans retard intentionnel. La fonction instantanée du disjoncteur peut être vérifiée à l'aide d'une alimentation ca capable de délivrer un courant élevé, basse tension.

1. Si le disjoncteur MicroLogic est muni de la fonction de protection intégrale contre les défauts à la terre, se reporter aux procédures de vérification pour le disjoncteur ainsi muni, à la *Disjoncteurs avec protection intégrale contre les défauts à la terre*, page 38, avant de continuer.
2. Pour les disjoncteurs sans protection contre les défauts à la terre, essayer tous les pôles du disjoncteur individuellement. Pour les disjoncteurs munis de la fonction de protection intégrale contre les défauts à la terre, essayer chaque pôle du disjoncteur comme noté dans la procédure de vérification spéciale à la *Disjoncteurs avec protection intégrale contre les défauts à la terre*, page 38.
3. Après avoir raccordé et réglé le disjoncteur de façon appropriée, appliquer le courant en impulsions d'environ 10 cycles. Démarrer à 70 % de la valeur de déclenchement attendue, augmenter le courant dans chaque impulsion suivante jusqu'à ce que le disjoncteur se déclenche.

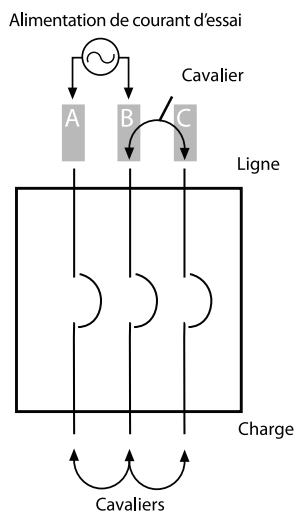
REMARQUE: Tous les disjoncteurs à déclenchement électronique MicroLogic sont munis d'une mémoire de longue durée/surcharge ou d'une imagerie thermique. Les impulsions de surintensité sont utilisées pour vérifier l'enclenchement et le délai de courte durée et s'ajoutent à cette mémoire. Si le disjoncteur se déclenche à une valeur de courant plus basse que celle attendue après plusieurs impulsions de surintensité, il est possible qu'il se déclenche sur la fonction de longue durée. La mémoire de longue durée/surcharge peut être remise à zéro à l'aide du module approprié de remise à zéro de la mémoire. Si le module de remise à zéro de la mémoire n'est pas utilisé, attendre au moins 15 minutes pour permettre à la mémoire de s'effacer et de se remettre à zéro avant de continuer les essais.

4. Comparer la valeur d'enclenchement à la courbe de déclenchement pour le disjoncteur vérifié.

L'essai de déclenchement instantané peut aussi se faire à l'aide de la trousse d'essai d'injection secondaire UTS-3. Ces appareils d'essai d'injection secondaire ne vérifient pas les transformateurs de courant et les raccordements.

Disjoncteurs avec protection intégrale contre les défauts à la terre

Figure 7 - Procédures de vérification spéciales de surcharge et de court-circuit



Les disjoncteurs à déclenchement électronique MicroLogic munis de la fonction de protection intégrale contre les défauts à la terre demandent une attention spéciale lors de la vérification des fonctions de surcharge et de court-circuit. Les fonctions d'essais d'injection primaire unipolaires pour la surintensité à retard inversé, à temps court et instantané, entraîneront des déclenchements sur défaut à la terre dus au chemin du courant de retour ne passant pas par le disjoncteur. Pour surmonter cette difficulté, utiliser la méthode de bouclage pour les disjoncteurs MicroLogic munis de la fonction de protection intégrale contre les défauts à la terre.

Méthode de bouclage:

Boucler le courant, comme indiqué à la Procédures de vérification spéciales de surcharge et de court-circuit, page 38, équilibre la quantité de courant qui entre dans le disjoncteur et qui en sort. Cela, comme conséquence, élimine les déclenchements sur défaut à la terre en maintenant le transformateur de défaut à la terre équilibré. La vérification des pôles successifs peut être faite en variant les raccordements (boucle AC, AB, BC).

Exceptions:

Pour les disjoncteurs fixes SE, raccorder les bornes 16, 17, 18 et 19 ensemble pour neutraliser le défaut à la terre pour le besoin des essais. Pour les disjoncteurs SE débroschables, utiliser la fiche adaptatrice SEPITK2 pour faire les raccordements nécessaires.

Procédure pour les disjoncteurs utilisés avec les systèmes PowerLogicMC

Les disjoncteurs LE, ME, NE, PE et SE raccordés à un système PowerLogicMC sont raccordés via un adaptateur de communication (numéro de catalogue CIM3F). Si le disjoncteur est vérifié par la méthode d'injection primaire, le système Powerlogic peut rester raccordé au disjoncteur pendant l'essai sans affecter les résultats.

REMARQUE: L'essai d'un disjoncteur raccordé à un système Powerlogic fait ce dernier réagir comme si le disjoncteur subissait des défauts réels.

En cas d'exécution d'un essai d'injection secondaire à l'aide d'un ensemble d'essai UTS3, le système Powerlogic doit être déconnecté du disjoncteur. Cela se fait en déconnectant le raccordement par fiche à 4 broches sur l'adaptateur. L'ensemble d'essai indiquera que l'essai a échoué si le système Powerlogic reste connecté pendant l'essai. Une fois l'essai terminé, rebrancher la fiche à 4 broches sur l'adaptateur. Suivre les directives pour la version de logiciel du Powerlogic installée sur le système pour s'assurer que la communication avec le disjoncteur a été rétablie.

Procédure de neutralisation de l'interverrouillage sélectif de zone

L'interverrouillage sélectif de zone est une méthode de communication entre des dispositifs de protection électronique de déclenchement sur surintensité. L'interverrouillage sélectif de zone permet aux dispositifs interverrouillés à des niveaux différents de fonctionner ensemble comme un système dans lequel un court-circuit ou un défaut à la terre est isolé et corrigé dans un délai minimum. L'objectif d'une neutralisation d'un interverrouillage sélectif de zone est de vérifier les caractéristiques des fonctions spécifiques de retard de déclenchement à temps court et sur défaut à la terre du disjoncteur. Cela est accompli en déconnectant le câblage d'entrave en installant des cavaliers comme requis. Cela entrave automatiquement le disjoncteur en cours de vérification. Étiqueter les fils d'entrave avant de déconnecter.

Réglages d'auto-entrave, page 39 donne les directives d'auto-entrave (cavalier) pour chacun des disjoncteurs munis de déclencheurs MicroLogic. Utiliser du fil de calibre 14 à 18 AWG (1 à 2,1 mm²).

Tableau 5 - Réglages d'auto-entrave

Type de disjoncteur / Série du déclencheur	Fonction (ST ou GF)	Borne de raccordement (ancrage IN)	Vers la borne (ancrage OUT)
LE 1B	Courte durée (ST)	#5	#6
LE 1B	Défaut à la terre (GF)	#7	n 8
ME 3	Les deux	Fil violet	Fil violet
ME 4, 5, 5A, 5B	Courte durée (ST)	#5	#6
ME 4, 5, 5A, 5B	Défaut à la terre (GF)	#7	n 8
NE 1	Les deux	#6	#7
NE 2, 3, 3A, 3B	Courte durée (ST)	#5	#6
NE 2, 3, 3A, 3B	Défaut à la terre (GF)	#7	n 8
PE 4	Les deux	#6	#7
PE 5, 6, 6A, 6B	Courte durée (ST)	#5	#6
PE 5, 6, 6A, 6B	Défaut à la terre (GF)	#7	n 8
SE 2, 3, 3A, 3B (fixe et débrochable)	Les deux	#23	#24
SE 2, 3, 3A, 3B (fixe et débrochable)	Défaut à la terre (GF)	#20	#21
SE débrochable (complètement retiré de la cellule)	Les deux	Utiliser SEPTIK2 (voir Trousse d'essai d'injection primaire, page 46)	Utiliser SEPTIK2 (voir Trousse d'essai d'injection primaire, page 46)

REMARQUE: Si des cavaliers d'auto-entrave sont installés pour neutraliser un interverrouillage sélectif de zone pour le besoin des essais, retirer les cavaliers quand les essais sont terminés. Tous fils d'entrave déconnectés pour l'essai doivent être reconnectés à ce moment-là.

Protection contre les défauts à la terre et essais d'indication seulement pour les systèmes radiaux

DANGER

RISQUE D'ÉLECTROCUTION, D'EXPLOSION OU D'ÉCLAIR D'ARC

- Portez un équipement de protection individuelle (ÉPI) approprié et observez les méthodes de travail électrique sécuritaire. Voir NFPA 70E ou CSA Z462.
- Seul un personnel qualifié doit effectuer l'installation et l'entretien de cet appareil.
- Coupez toutes les alimentations à cet appareil avant d'y travailler.
- Utilisez toujours un dispositif de détection de tension avec une valeur nominale appropriée pour vous assurer que l'alimentation est coupée.
- Remplacez tous les dispositifs, les portes et les couvercles avant de mettre l'appareil sous tension.

Le fait de ne pas suivre ces instructions entrainera des blessures graves, voire mortelles.

Essai de déclenchement sur défauts à la terre

La fonction de défaut à la terre d'un disjoncteur à déclenchement électronique MicroLogic fournit une protection contre les défauts à la terre à un appareil avec des valeurs d'enclenchement et de retard réglables. La caractéristique de retard de défaut à la terre détermine combien de temps le disjoncteur attend avant d'initialiser un signal de déclenchement durant un défaut à la terre. La performance des fonctions de défauts à la terre du disjoncteur peut être vérifiée à l'aide d'une alimentation ca capable de délivrer des courants élevés, basse tension.

Les disjoncteurs SE débrochables avec la fonction intégrée d'essai de défaut à la terre requièrent une fiche adaptatrice (numéro de catalogue Square D SEPITK2) quand le disjoncteur est complètement retiré du compartiment. La fiche adaptatrice fera les raccordements de cavalier nécessaires sur le circuit secondaire. Ces raccordements de cavalier sont normalement faits quand le disjoncteur est en position connectée. Suivre les directives fournies avec la fiche adaptatrice pour assurer une application correcte.

Procédure d'essai

1. Désactiver complètement et retirer le disjoncteur du service.
2. Avant les essais, noter le réglage de l'enclenchement et du retard pour toutes les fonctions. Remettre le déclencheur aux mêmes réglages après avoir terminé la procédure des essais.
3. En cas de vérification d'un disjoncteur équipé d'un interverrouillage sélectif de zone, suivre la procédure pour neutraliser l'interverrouillage sélectif de zone indiquée à la Procédure de neutralisation de l'interverrouillage sélectif de zone, page 38. En cas d'utilisation d'une trousse d'essai d'injection secondaire pour ces essais, lire et observer attentivement les directives de la trousse d'essai sur l'interverrouillage sélectif de zone.

REMARQUE: Ne pas neutraliser l'interverrouillage sélectif de zone aboutira à une imprécision des temps de déclenchement.

4. Utiliser ces réglages pour l'essai:

Enclenchement de longue durée/Intensité nominale = Max.

Retard de longue durée/Surcharge = Max

Retard de courte durée /Court-circuit = Max. (I²t IN ou ON)

Instantané = Max.

Enclenchement sur défaut à la terre = Min.

Retard sur défaut à la terre = Min. (I²t OUT ou OFF)

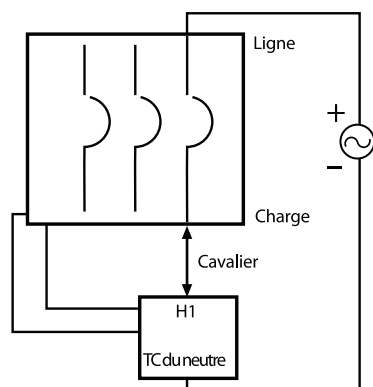
REMARQUE: Ne pas utiliser le réglage INSTANTANÉ pour le retard de défaut à la terre. Sur les disjoncteurs SE de la série 2, utiliser le réglage de retard de défaut à la terre « 2 ».

5. Suivre la procédure de raccordement appropriée pour l'application de l'essai.

Pour les disjoncteurs sans transformateur de courant de neutre, passer au point 8.

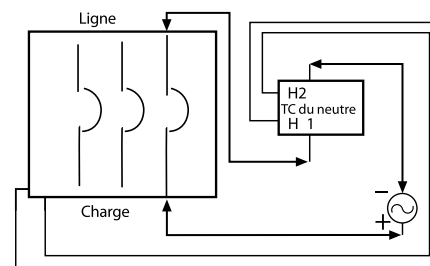
Pour les disjoncteurs avec la fonction de défaut à la terre intégrale dans un système triphasé à quatre fils, un transformateur de courant (TC) de neutre monté en externe doit être utilisé. Le TC de neutre est raccordé au disjoncteur par un câble blindé (un fil de calibre 14 AWG [2,5 mm²] est recommandé).

Figure 8 - Schéma de raccordement d'essai pour un essai de mise en phase du TC de neutre



Voir les directives d'utilisation du disjoncteur pour les raccordements au disjoncteur et au TC de neutre.

Figure 9 - Schéma de raccordement d'essai pour un essai de taille du TC de neutre



Voir les directives d'utilisation du disjoncteur pour les raccordements au disjoncteur et au TC de neutre.

6. Vérifier que la séquence des phases du TC de neutre est correcte (systèmes triphasés à quatre fils) en effectuant un essai de non déclenchement comme suit:
 - a. Raccorder le disjoncteur et le TC de neutre comme indiqué à la Schéma de raccordement d'essai pour un essai de mise en phase du TC de neutre, page 41. Le cavalier doit aller du raccordement local sur le disjoncteur au raccordement H1 sur le TC de neutre CT (ou sur le côté du TC de neutre avec un point rouge). Raccorder le secondaire du TC de neutre conformément au manuel de directives du disjoncteur ou aux directives du TC de neutre.
 - b. Appliquer le courant au-dessus du niveau d'enclenchement d'un défaut à la terre et le maintenir plus longtemps que le retard de défaut à la terre.
 - c. Le disjoncteur ne doit pas se déclencher. L'absence de déclenchement indique que le TC de phase ainsi que le TC de neutre sont connectés correctement.

Figure 10 - Schéma de raccordement d'essai pour un disjoncteur sans TC de neutre

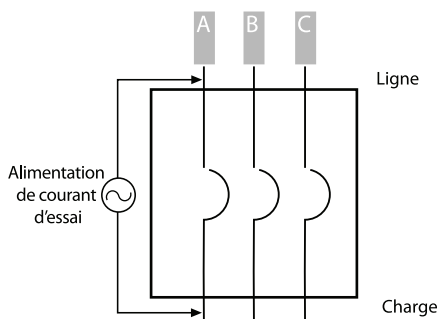
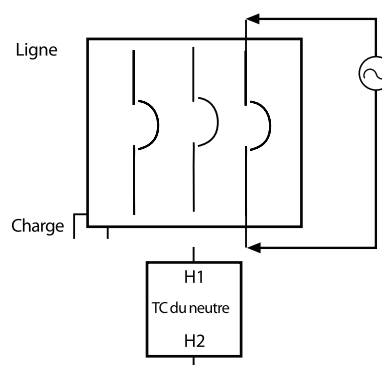


Figure 11 - Schéma de raccordement d'essai pour un essai d'enclenchement et de retard de défaut à la terre



7. Vérifier que la taille du TC de neutre est correcte (systèmes triphasés à quatre fils) en effectuant un essai de déclenchement comme suit:
 - a. Raccorder le disjoncteur et le TC de neutre comme indiqué à la Schéma de raccordement d'essai pour un essai de taille du TC de neutre, page 41. Raccorder la borne de polarité (+) de l'unité d'injection de courant élevé au côté charge du disjoncteur. Le cavalier doit aller du raccordement côté ligne sur le disjoncteur au raccordement H1 sur le TC de neutre CT (ou sur le côté du TC de neutre avec un point rouge). Raccorder la borne de non polarité (-) de l'unité d'injection de courant élevé à H2 sur le TC de neutre (sur le côté ligne du disjoncteur). Raccorder le secondaire du TC de neutre conformément au manuel de directives du disjoncteur ou aux directives du TC de neutre.
 - b. Appliquer le courant.
 - c. Le disjoncteur doit se déclencher à la moitié de la valeur de l'enclenchement d'un défaut à la terre. Un déclenchement indique que le TC de phase et le TC de neutre ont le même rapport de spires (même taille).

8. Vérifier l'enclenchement et le retard de défaut à la terre en effectuant un essai de déclenchement comme suit:
 - a. Raccorder le disjoncteur comme indiqué à la Schéma de raccordement d'essai pour un disjoncteur sans TC de neutre, page 42, (systèmes triphasés à trois fils) ou à la Schéma de raccordement d'essai pour un essai d'enclenchement et de retard de défaut à la terre, page 42 (systèmes triphasés à quatre fils).
 - b. Après avoir raccordé et fermé le circuit correctement, appliquer le courant en impulsions courtes d'une durée de 10 cycles. En démarrant à 70 % de la valeur de déclenchement envisagée, augmenter le courant à chaque impulsion suivante jusqu'à ce que le disjoncteur se déclenche.
 - c. Refermer le disjoncteur et réduire le niveau du courant; lancer une autre impulsion afin de déterminer si le niveau d'enclenchement trouvé était dépassé.
 - d. Répéter les points b et c pour isoler davantage le point d'enclenchement.
 - e. Pour déterminer le retard, essayer chaque pôle du disjoncteur individuellement à 150 % du réglage d'enclenchement de défaut à la terre. Surveiller le temps à compter du point d'enclenchement jusqu'à ce que le disjoncteur se déclenche pour obtenir le retard.
 - f. Noter les valeurs d'enclenchement et de retard et comparer les résultats à la courbe de déclenchement.

L'essai de défaut à la terre peut se faire également à l'aide de la trousse d'essai à injection secondaire UTS3. Ces appareils d'essai d'injection secondaire ne vérifient pas les transformateurs de courant et les raccordements.

Essais pour une alarme de défaut à la terre seulement: Disjoncteurs LE, ME, NE, PE et SE

Tous les disjoncteurs LE, ME, NE, PE et SE munis de la fonction d'alarme de défaut à la terre sont livrés avec une fonction d'essai intégrale de défaut à la terre. Une alimentation de 120 V est requise pour le fonctionnement de la fonction d'essai intégrale. Les circuits d'essai simulent un défaut à la terre quand on appuie sur le bouton d'essai sur la face avant du disjoncteur. L'ampèremètre dans le disjoncteur indiquera une valeur de courant lorsque l'on appuie sur le bouton pousser-pour-vérifier.

REMARQUE: L'alarme de défaut à la terre sur le disjoncteur ne se déclenchera pas ou indiquera un déclenchement quand on appuie sur le bouton pousser-pour-vérifier sur la face avant du disjoncteur.

Lorsqu'il est raccordé à un système Powerlogic via un adaptateur de communication (numéro de catalogue Square D CIM3F), le système Powerlogic indiquera une valeur de courant de défaut à la terre lorsqu'on appuie sur le bouton pousser-pour-vérifier. Le système Powerlogic indique une condition d'alarme si l'on appuie sur le bouton pousser-pour-vérifier pendant deux secondes. Le disjoncteur demande une seconde au maximum pour communiquer une condition d'alarme. Le système Powerlogic met la condition à jour seulement aussi souvent que le réglage du temps de balayage l'indique sur le système Powerlogic.

Les directives pour l'essai de déclenchement sur défaut à la terre, *Essai de déclenchement sur défauts à la terre*, peuvent être appliquées aux disjoncteurs avec alarme de défaut à la terre seulement, avec les exceptions suivantes:

- A. Les disjoncteurs avec alarme de défaut à la terre seulement ne possèdent pas de fonctions de déclenchement ou de retard. L'appareil universel d'essai (numéro de catalogue UTS3) n'affichera donc pas de valeurs de temps.
- B. L'interverrouillage sélectif de zone sur défaut à la terre n'est pas disponible sur les disjoncteurs avec alarme de défaut à la terre seulement.
- C. Si la méthode d'essai par impulsions est utilisée, le signal d'impulsion doit être suffisamment long pour que le système Powerlogic reconnaisse la condition d'alarme.

En cas d'essai d'injection secondaire à l'aide de l'appareil d'essai UTS3, le disjoncteur doit être déconnecté du système Powerlogic. Pour déconnecter le disjoncteur du système Powerlogic, débrancher la fiche à 4 broches de l'adaptateur. L'appareil d'essai indiquera que le disjoncteur a échoué l'essai si le système Powerlogic reste connecté durant l'essai. Après les essais, reconnecter

la fiche à 4 broches à l'adaptateur. Suivre les directives pour la version de logiciel de Powerlogic pour s'assurer que la communication a été rétablie avec le disjoncteur.

REMARQUE: L'essai d'un disjoncteur raccordé à un système Powerlogic fait ce dernier réagir comme si le disjoncteur subissait des défauts réels.

Tableau 6 - Valeur maximum de résistance par pôle en micro-ohms

Disjoncteur		Microhms (μΩ)	Disjoncteur		Microhms (μΩ)
Type	Val. nom.		Type	Val. nom.	
LE, LX	300	477	NE, NX	600	112
	350	416		700	106
	400	250		800	85
	450	310		900	81
	500	286		1000	66
	600	169		1200	56
ME, MX	125	1 600	PE, PX	600	106
	150	1 500		700	100
	175	914		800	81
	200	725		1000	63
	225	593		1200	53
	250	488		1400	49
	300	344		1600	41
	350	261		1800	35
	400	200		2000	31
	450	146		2500	33
	500	114	PE, PX	600	106
	600	94		700	100
	700	78		800	81
	800	68		1000	63
			1200	53	

Essai de résistance des contacts

Les essais de résistance des pôles d'un disjoncteur ne sont pas des indicateurs fiables de la performance du disjoncteur parce que les valeurs de résistance sont influencées par un certain nombre de facteurs transitoires, notamment l'oxydation des surfaces de contact, la présence de corps étrangers entre les contacts et les méthodes d'essais. Le paragraphe 6.4.1 de NEMA AB 4 précise: « La chute de tension en millivolts d'un pôle de disjoncteur peut varier de façon notable par suite de la variabilité inhérente due à la très faible résistance des contacts et connecteurs électriques. De telles variations ne prédisent pas nécessairement une performance inacceptable et ne doivent pas être utilisées comme seul critère pour déterminer l'acceptabilité ».

Une résistance élevée des pôles peut être également causée par des contacts érodés, une force de contact faible et une terminaison desserrée. Le seul de ces facteurs à être vraisemblablement présent sur un disjoncteur neuf est une terminaison desserrée, du fait que les contacts sont neufs et que la pression des contacts n'a eu aucune occasion de se dérégler depuis le réglage à l'usine. Une terminaison desserrée peut être corrigée sur place.

Si un essai de résistance des contacts est effectué, il est important de le faire après le conditionnement des contacts par un essai d'injection primaire instantanée afin de s'assurer que les contacts ne montrent aucun film résistif, aucune oxydation et ne comportent pas de corps étrangers. Si le disjoncteur a été en service sans problèmes de performance (surchauffe ou déclenchement

intempestif), les mesures de résistance des contacts sont superflues et de peu de valeur.

Square D recommande d'utiliser un ohmmètre numérique à faible résistance DLRO (Digital Low Resistance Ohmmeter), avec un courant d'essai cc de 10 A pour les disjoncteurs d'une intensité nominale inférieure à 100 A, et un courant cc de 100 A pour les disjoncteurs d'une intensité nominale de 100 A et au-dessus. La valeur médiane (du milieu) de trois relevés (en basculant la manette du disjoncteur entre chaque relevé) doit être notée pour chaque pôle essayé. Si cette valeur est égale ou inférieure à la valeur indiquée dans le *Valeur maximum de résistance par pôle en micro-ohms*, page 44, le pôle est acceptable. Si le relevé est supérieur, la cause doit être recherchée et corrigée si possible. Contacter le bureau des ventes local pour plus de renseignements.

Retirer les raccordements d'essai

Dès la fin des essais:

- Retirer les raccordements d'essai du disjoncteur.
- Inspecter les raccordements afin de voir s'ils ont été endommagés par les essais.
- Remettre le commutateur d'enclenchement de longue durée à ses réglages d'origine, telle que notée ci-dessus.
- Si une alimentation auxiliaire est utilisée pour le déclencheur MicroLogic, rebrancher l'alimentation auxiliaire.

Renseignements supplémentaires

Pour plus de renseignements sur les disjoncteurs Square D, se reporter au manuel de directives approprié. Ces manuels contiennent des directives d'installation, des renseignements de montage, des mesures de sécurité, des schémas de câblage et des tableaux de dépannage pour des disjoncteurs spécifiques.

Section 6—Appareils d'essai disponibles

Appareils d'essai pour disjoncteurs à châssis L, M, N, P et S avec déclencheurs MicroLogicMC

Kit ampèremètre/Indicateur de déclenchement

Les kits ampèremètre/indicateur de déclenchement (ALAM et ALAMP) offrent des capacités de mesure du courant en temps réel et, si le disjoncteur se déclenche, les kits indiquent le type de déclenchement:

- Surcharge
- Court-circuit
- Défaut à la terre

Le kit ampèremètre/indicateur de déclenchement fournit un moyen simple de dépanner la cause d'un déclenchement et est livré installé dans les disjoncteurs à fonctions complètes (LE, ME, NE, PE et SE). Le kit fournit une assistance en ligne avec:

- l'identification des phases surchargées ou déséquilibrées
- la définition du niveau de courant de défaut à la terre passant dans le circuit

Le kit ALAM est destiné à une utilisation avec toutes les séries de disjoncteurs à déclenchement électronique MicroLogicMC de châssis L, M, N et S. Le kit ALAMP est destiné à une utilisation avec toutes les séries de disjoncteurs à déclenchement électronique MicroLogic de châssis P et est différent uniquement à cause de l'orientation de la cavité du déclencheur.

Module de remise à zéro de la mémoire

Les modules de remise à zéro de la mémoire (numéros de catalogue MTMB, MTM2 et MTM3) sont utilisés pour remettre à zéro la mémoire de longue durée sur les disjoncteurs à déclenchement électronique MicroLogic. Cela permet des essais d'injection primaire plus rapides du disjoncteur.

- Le module MTMB est destiné à une utilisation avec les déclencheurs MicroLogic de la série B.
- Le module MTM3 est destiné à une utilisation avec les déclencheurs MicroLogic de la série 3.
- Le module MTM2 est destiné à une utilisation avec les disjoncteurs SE de la série 2 à déclenchement électronique.

Trousse d'essai d'injection primaire

Les kits de fiches adaptatrices (SEPITK1 et SEPITK2) utilisent des cavaliers dans certaines bornes pour raccorder correctement le câblage de détection secondaire dans les disjoncteurs SE débrochables. La trousse d'essai SEPITK1 est destinée à une utilisation avec les disjoncteurs SED de la série 1; la trousse d'essai SEPITK2 est destinée à une utilisation avec les disjoncteurs SED de la série 2 et au-dessus.

Appareil universel d'essai

L'appareil universel d'essai en option (numéro de catalogue UST3) est un système utilisant un microprocesseur pour vérifier tous les disjoncteurs LE, LX, LXI, ME, MX, NE, NX, PE, PX et SE avec déclencheurs MicroLogic. Cet appareil d'essai vérifiera à fond chaque fonction du déclencheur. L'appareil universel d'essai est un vérificateur à injection secondaire et ne tient pas compte des tolérances d'un transformateur de courant.

L'appareil d'essai UTS3 comprend:

- Le module d'essai pour les systèmes de déclenchement standard et à fonctions complètes MicroLogic de la série B
- Un module d'auto-vérification
- Un cordon électrique
- Un câble plat
- Un manuel de directives

Appareils d'essai pour les disjoncteurs PowerPacTMC P/R munis de déclencheurs électroniques MicroLogic

Trousse d'essai des fonctions complètes

La trousse d'essai à fonctions complètes est un système utilisant un microprocesseur pour vérifier les disjoncteurs ComPacTMC NSJ et PowerPacTMC avec les déclencheurs électroniques MicroLogic. La trousse d'essai à fonctions complètes est un vérificateur à injection secondaire et ne vérifie pas les transformateurs de courant et les raccordements.

La trousse d'essai à fonctions complètes est conçue pour une utilisation comme unité d'essai autonome ou conjointement avec un ordinateur personnel. La trousse d'essai à fonctions complètes à elle seule effectue les essais suivants:

- Vérification des fonctions de protection (LSIG)
- Conformité avec la courbe de déclenchement
- Essais électriques et mécaniques du système de déclenchement
- Essais de l'interverrouillage sélectif de zone
- Inhibition de la protection contre les défauts à la terre pour une utilisation durant un essai d'injection primaire
- Inhibition de l'imagerie thermique pour une utilisation durant un essai d'injection primaire
- Fournir une alimentation de commande au déclencheur pour mettre les afficheurs sous tension.

Trousse d'essai portative

La trousse d'essai portative est une petite unité alimentée par piles. Elle est conçue pour fournir des essais d'injection secondaire commodes sur les disjoncteurs ComPacT NSJ et PowerPacT dotés des déclencheurs électroniques MicroLogic. La trousse d'essai portative est alimentée par cinq piles de 9 V et peut être utilisée pour faire les opérations suivantes :

- Vérifier le fonctionnement du déclencheur en déclenchant le disjoncteur par un signal d'injection secondaire.
- Fournir une alimentation de commande au déclencheur pour mettre les afficheurs sous tension.
- Inhiber la fonction d'imagerie thermique pour l'essai d'injection primaire.

- Inhiber le défaut de m.à.l.t. pour l'essai d'injection primaire.
- Essais de l'interverrouillage sélectif de zone⁴

Appareils d'essai disponibles pour les disjoncteurs PowerPacTMC P/R munis de déclencheurs électroniques MicroLogic

Vérificateur de poche

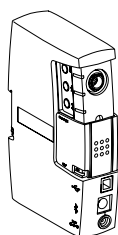


Vérificateur de poche

Le vérificateur de poche se raccorde au connecteur d'essai du déclencheur MicroLogic. Il alimente le déclencheur MicroLogic et la DÉL « Ready » (Prêt). Il alimente l'écran, permet de faire des réglages avec le terminal d'exploitation et fournit des fonctions d'inhibition de la mémoire thermique.

Le vérificateur de poche fonctionne sur deux piles AA alcalines.

Module de maintenance UTA pour les essais et l'entretien



Module de maintenance UTA

Le module de maintenance UTA comprend :

- module de configuration et d'entretien
- alimentation (110–220 Vca / 50-60 Hz, 24 Vcc - 1 A)
- câble MicroLogic spécial pour le raccordement au connecteur d'essai du déclencheur
- câble USB standard
- câble RJ45 standard
- guide de l'utilisateur

Le module inclus avec le module de maintenance UTA, exécute les essais de fonctionnement des déclencheurs MicroLogic et donne accès à tous les paramètres et réglages. Il se raccorde au connecteur d'essai des déclencheurs MicroLogic et peut fonctionner en deux modes.

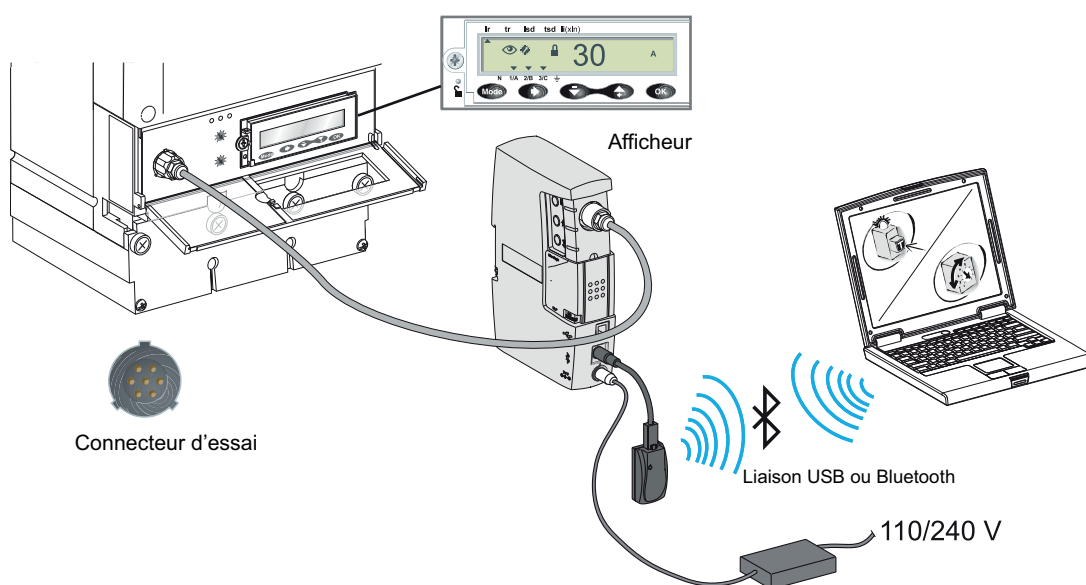
- Mode autonome pour :
 - alimenter le déclencheur MicroLogic et en vérifier le fonctionnement à l'aide de la DÉL Ready
 - fournit l'inhibition des défauts à la terre et de la mémoire thermique

4. Fournit seulement une alimentation au déclencheur pour indiquer qu'un signal de ZSI (interverrouillage sélectif de zone) a été reçu. N'initialisera pas la commande pour envoyer un signal d'entrave de ZSI.

- Mode PC, raccordé à un PC par une liaison USB ou Bluetooth. Ce mode fournit l'accès aux réglages de protections, aux réglages des alarmes et aux lectures de tous les indicateurs. En utilisant le logiciel utilitaire RSU associé, il est possible de mettre en mémoire, dans un fichier dédié pour chaque dispositif, toutes les données pouvant être transférées vers un autre dispositif.

Ce mode offre également des fonctions d'essais de fonctionnement :

- vérifier le délai de déclenchement (courbe de déclenchement)
- vérifier le temps de non-déclenchement (coordination)
- essayer la fonction ZSI (interverrouillage sélectif de zone)
- simuler des alarmes
- afficher des courbes de réglages
- afficher des courants
- imprimer des rapports d'essais
- liaison Bluetooth en option (au PC).



Schneider-Electric
5985 McLaughlin Road
Andover, MA 01810
États-Unis

800-565-6699

www.se.com

Puisque les normes, caractéristiques techniques et conceptions changent à l'occasion, assurez-vous de vérifier si les renseignements contenus dans la présente publication

© 2021 – 2022 Schneider-Electric. Tous droits réservés.

0600IB1201