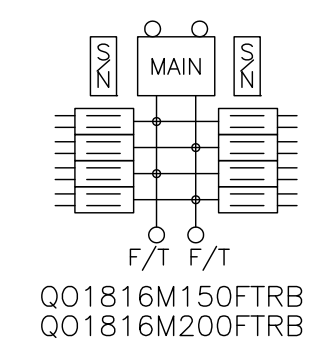
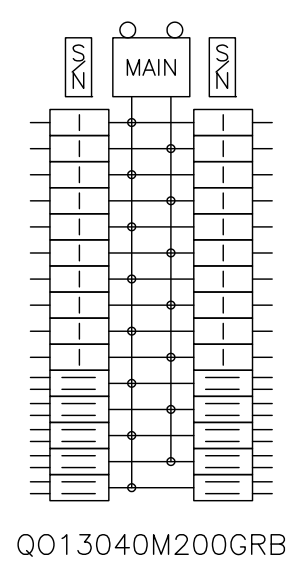
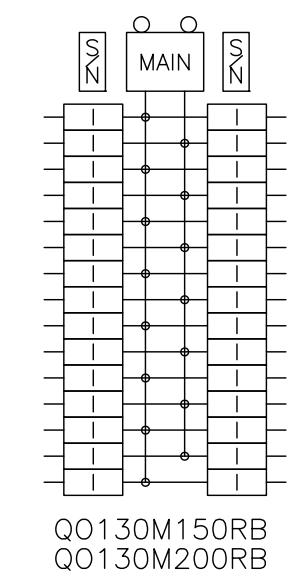
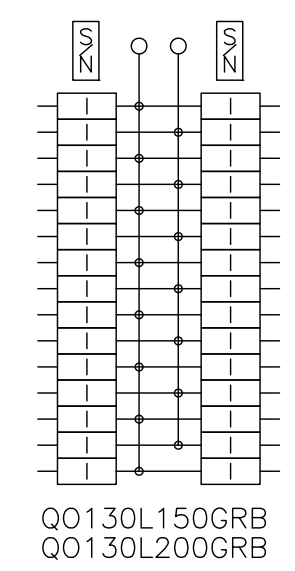
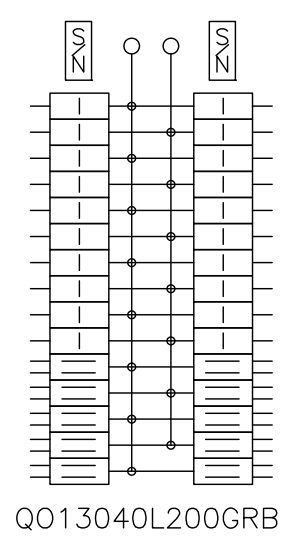
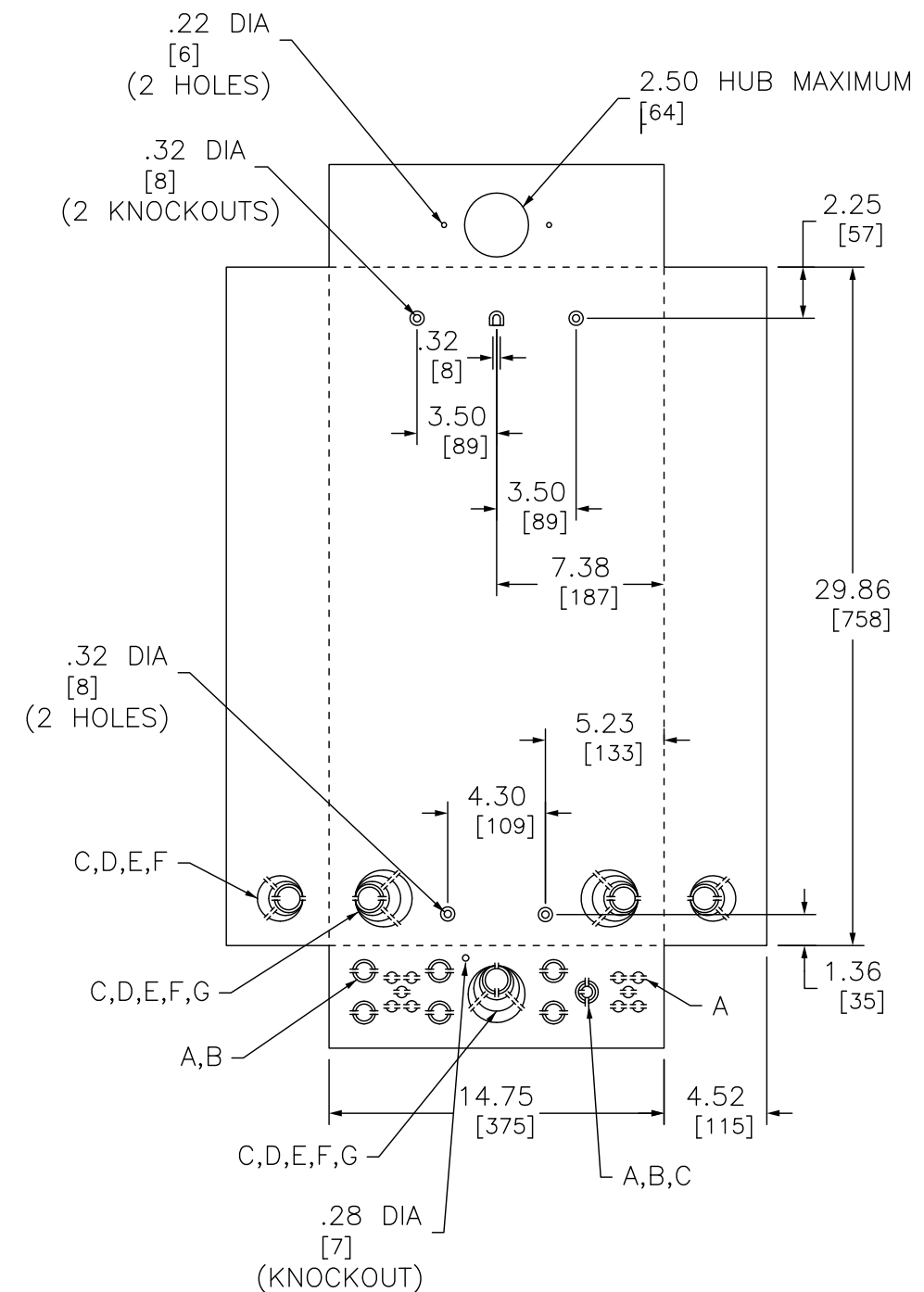


KNOCKOUTS		
SYMBOL	CONDUIT SIZE	
	IN	MM
A	.50	13
B	.75	19
C	1.00	25
D	1.25	32
E	1.50	38
F	2.00	51
G	2.50	64



DUAL DIMENSIONS: INCHES
MILLIMETERS

CATALOG NUMBER	MAXIMUM SYSTEM VOLTAGE	MAINS AMPERE RATING	SPACES	MAXIMUM NUMBER OF SINGLE POLE CIRCUITS	MAIN WIRE SIZE AWG AL/CU
QO13040L200GRB	120/240VAC 1Ø 3W	200	30	40	#4-250
QO130L200GRB		200	30	30	
QO130L150GRB		150	30	30	
QO130M150RB		150	30	30	
QO130M200RB		200	30	30	
QO13040M200GRB		200	30	40	
QO1816M150FTRB		150	8	16	
QO1816M200FTRB	200	8	16		

NOTES:
 FINISH - GRAY BAKED ENAMEL ELECTRODEPOSITED OVER CLEANED PHOSPHATIZED STEEL.
 UL LISTED - FILE E-6294
 NEUTRALS - INSULATED GROUNDABLE.
 LOAD CENTERS WITH "G" IN CATALOG NUMBER INCLUDE A FIELD INSTALLABLE EQUIPMENT GROUND BAR KIT.
 WHEN MOUNTING THESE LOAD CENTERS, ALLOW 1.25/[32] OF CLEARANCE ON HINGED SIDE FOR THE DOOR TO OPEN.

QO LOAD CENTERS
 RAINPROOF NEMA TYPE 3R ENCLOSURE
 SIDE HINGED OUTDOOR

SQUARE D
 by Schneider Electric

DWG# 3014
 NO.