

# Safety control and protection solutions

## VARIO enclosed switch disconnectors (pre-assembled)

### Enclosed switch disconnectors for high performance applications

- Marking on operator  $\circ \downarrow$ .
- 3-pole rotary switch disconnectors from 10 to 140 A
- Padlockable operating handle (padlock not included).
- IP 65 degree of protection enclosures, sealable and lockable.
- Cover lockable in position "I" (ON) up to 63 A rating.



VCF 0GE



VCF 3GE



VCFN 12GE

#### 3-pole main and Emergency stop switch disconnectors (1)

Operator Handle	Front plate Dimensions	lthe	Power AC-23 at 400 V	Incorporated switch body	Possible attachments (2)	Reference	Weight
	mm	A	kW				kg
Red, padlockable with up to 3 padlocks (Ø 4 to Ø 8 shank)	Yellow	10	4	V02	2	VCF 02GE	0.500
	60 x 60	16	5.5	V01	2	VCF 01GE	0.500
		20	7.5	V0	2	VCF 0GE	0.500
		25	11	V1	2	VCF 1GE	0.500
		32	15	V2	2	VCF 2GE	0.500
Red, long padlockable with up to 3 padlocks (Ø 4 to Ø 8 shanks)		50	22	V3	3	VCF 3GE	0.930
		63	30	V4	3	VCF 4GE	0.930
		100	37	V5	1	VCF 5GE	2.190
	90 x 90	140	45	V6	1	VCF 6GE	2.190

### Enclosed switch disconnectors for standard applications

- 3-pole rotary switch disconnectors from 10 to 32 A
- Degree of protection IP 55.

#### 3-pole main and Emergency stop switch disconnectors (1)

Operator Handle	Front plate Dimensions	lthe	Power AC-23 at 400 V	Incorporated switch body	Possible attachments (2)	Reference	Weight
	mm	A	kW				kg
Red, padlockable with 1 padlock (Ø 8 shank) or up to 3 padlocks (Ø 6 shank)	Yellow	10	4	VN 12	2	VCFN 12GE	0.422
	60 x 60	16	5.5	VN 20	2	VCFN 20GE (2)	0.422
		20	7.5	V0	0	VCFN 25GE	0.512
		25	11	V1	0	VCFN 32GE	0.512
		32	15	V2	0	VCFN 40GE	0.512

(1) Switch disconnector characteristics, see pages 23011-EN/2 to 23011-EN/4.

(2) For enclosures VCF and VCFN, see page 23054-EN/2

# Safety control and protection solutions

VARIO enclosed switch disconnectors  
(assembled by the user)

590574



VCFX GE2

## Empty enclosures

**IP 65 enclosure with red padlockable handle operator and yellow front plate**  
(for mounting a main or Emergency stop switch disconnector)

For switch body type	Ithe	Possible attachments (1)	Reference	Weight
A				
kg				
VN 12, VN 20 V02...V2	10...32	2	VCFX GE1	0.340
V02...V2	10...32	4	VCFX GE4	0.660
V3 and V4	50...63	3	VCFX GE2	0.660
		4	VCFX GDXE	0.660

## Switch bodies for standard applications (2)

Description	Rating	Reference	Weight
A			
kg			
3-pole switch disconnectors	10	VN 12	0.110
	16	VN 20	0.110

## Switch bodies for high performance applications (2)

Description	Rating	Reference	Weight
A			
kg			
3-pole switch disconnectors	10	V02	0.200
	16	V01	0.200
	20	V0	0.200
	25	V1	0.200
	32	V2	0.200
	50	V3	0.200
	63	V4	0.200

590575



V0

(1) See page 23054-EN/2.

(2) Switch disconnector characteristics, see pages 23011-EN/2 to 23011-EN/2.

# Safety control and protection solutions

VARIO enclosed switch disconnectors  
Add-on modules



VZ 0



VZ 11



VZ 15



VZ 20

### Add-on modules for enclosure VCF

Description	Rating	Reference	Weight kg
	A		
Main pole modules (mounted in enclosure)	10	VZ 02	0.050
	16	VZ 01	0.050
	20	VZ 0	0.050
	25	VZ 1	0.050
	32	VZ 2	0.050
	50	VZ 3	0.100
	63	VZ 4	0.100
Neutral pole modules with early make and late break contacts	10 to 32	VZ 11	0.050
	50 and 63	VZ 12	0.100
	100 and 140	VZ 13	0.250
Earthing modules	10 to 32	VZ 14	0.050
	50 and 63	VZ 15	0.100
	100 and 140	VZ 16	0.250
Auxiliary contact block modules with 2 auxiliary contacts	N/O + N/C (1)	VZ 7	0.050
	N/O + N/O	VZ 20	0.050

### Maximum number of add-on modules that can be fitted on a switch body

#### 1 add-on module on each side of the switch body

VZ 7 or VZ 20	+	<b>V0●</b>	+	VZ 7 or VZ 20
or				or
VZ 11 or VZ 12	+	<b>V0</b>	+	VZ 11 or VZ 12
or				or
VZ 14 or VZ 15	+	<b>to</b>	+	VZ 14 or VZ 15
or				or
VZ 0●/VZ 0 to VZ 4	+	<b>V4</b>	+	VZ 0●/VZ 0 to VZ 4

#### 2 add-on modules on each side of the switch body

VZ 0●	+	VZ 0●	+	<b>V0●</b>	+	VZ 0●	+	VZ 7	or	VZ 20	or	VZ 11	or	VZ 14
VZ 0	+	VZ 0	+	<b>V0</b>	+	VZ 0	+	VZ 7	or	VZ 20	or	VZ 11	or	VZ 14
VZ 1	+	VZ 1	+	<b>V1</b>	+	VZ 1	+	VZ 7	or	VZ 20	or	VZ 11	or	VZ 14
VZ 2	+	VZ 2	+	<b>V2</b>	+	VZ 2	+	VZ 7	or	VZ 20	or	VZ 11	or	VZ 14
VZ 3	+	VZ 3	+	<b>V3</b>	+	VZ 3	+	VZ 7	or	VZ 20	or	VZ 12	or	VZ 15
VZ 4	+	VZ 4	+	<b>V4</b>	+	VZ 4	+	VZ 7	or	VZ 20	or	VZ 12	or	VZ 15

**Note :** The add-on modules mounted next to the switch body are main pole modules. Maximum of 3 main pole modules per switch body.

(1) Late make N/O, early break N/C contacts

# Safety control and protection solutions

Mini-VARIO enclosed switch disconnectors  
Add-on modules



VZN 11



VZN 14

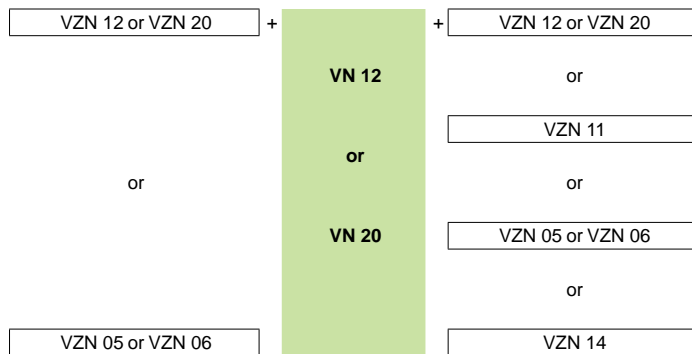


VZN 05

### Add-on modules for enclosures VCFN 12GE and 20 GE

Description	Rating	Reference	Weight
Main pole modules	10	VZN 12	0.020
	16	VZN 20	0.020
Neutral pole module with early make and late break contacts	10 and 16	VZN 11	0.020
Earthing module	10 and 16	VZN 14	0.016
Auxiliary contact block modules	1 late make N/O contact	VZN 05	0.020
	1 early break N/C contact	VZN 06	0.020

### Maximum number of add-on modules that can be fitted on a switch body

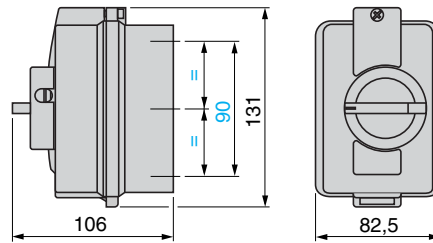


# Safety control and protection solutions

## VARIO enclosed switch disconnectors

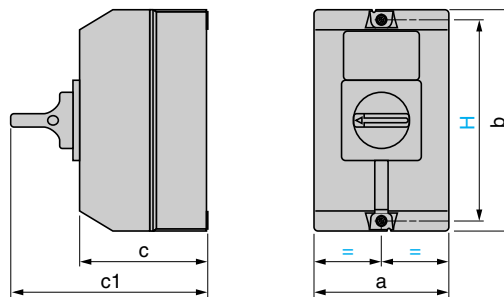
### Dimensions

#### VCFN 12GE to VCFN 40GE



Cable glands: 2 x 16 P top and bottom

#### VCF 02GE to 4GE, VCFX GE1 to GE4

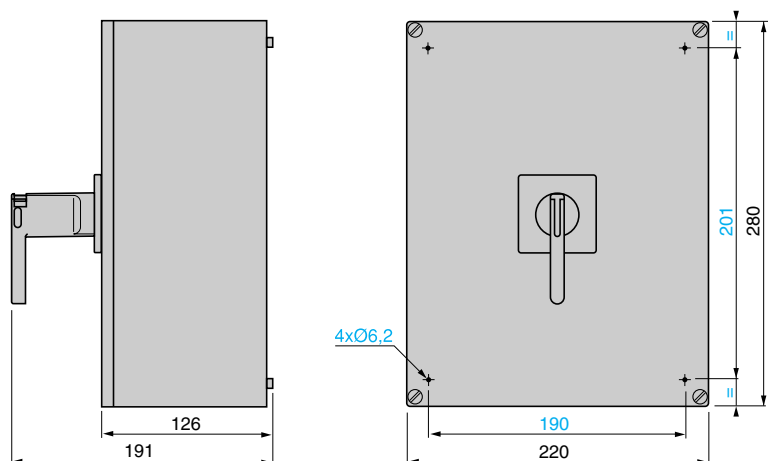


	a	b	c	c1	H
VCF 02GE to VCF 2GE, VCFX GE1 (1)	90	146	85	131	130
VCF 3GE and VCF 4GE (2)	150	170	106	152	164
VCFX GE2 and VCFX GE4 (2)	150	170	106	152	164

(1) Cable glands: 2 x 16 P top and bottom

(2) Cable glands: 2 x 16/21/29 P top and bottom

#### VCF 5GE and 6GE



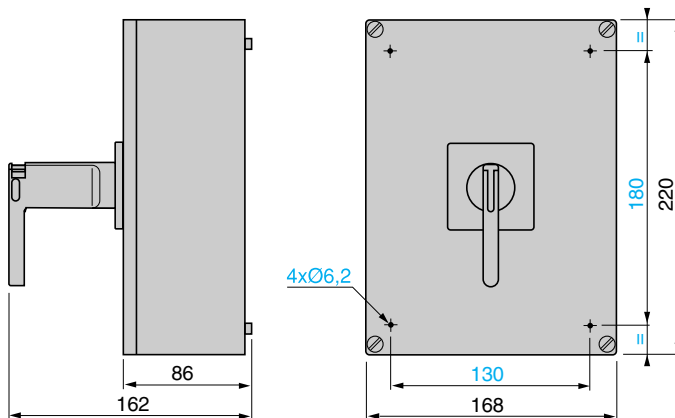
# Safety control and protection solutions

VARIO enclosed switch disconnectors  
(assembled by the user)

## Dimensions (continued)

### Empty enclosures

VCFX GDXE



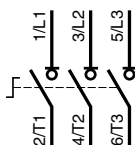
## Schemes

### Switch disconnectors

Enclosed switch disconnectors or switch bodies

Main pole module

Neutral pole module



### Auxiliary contact blocks

VZ 7

VZ 20

VZN 05

VZN 06

