

Adaptable electrical auxiliaries for

Multi 9

C60, C120, DPN Vigi, ID



Combined with the Multi 9, C120 circuit-breakers, ID residual current and DPN Vigi circuit-breakers.

They ensure remote tripping or indication.

Auxiliary contacts: "OF" and "OF.S"

Indication of the "open" or "closed" position of the circuit-breaker (OF) or the residual current circuit-breaker (OF.S) with which they are combined.

Fault indicating switch: "SD"

Indication of the "fault trip" position of the circuit-breaker or residual current circuit-breaker with which it is combined. Visualisation of the fault (circuit-breaker) or earth fault indication (ID) on the front face by means of a mechanical indicator.

Changeover contact: "OF+SD/OF"

- > Upper circuit: OF, lower circuit: OF or SD.
- > OF: remote indication of the "open" or "closed" position of the circuit-breaker or residual current circuit-breaker with which it is associated.
- > SD: remote indication of the "tripped" on fault position of the circuit-breaker or residual current circuit-breaker with which it is associated.
- > Function choice using the selector switch on the right side.
- > The selected function is indicated on the front face.

Undervoltage selective release: "MN S"

Undervoltage release that controls the opening of the circuit-breaker or residual current circuit-breaker with which it is combined; it allows a 0.5 second time delay on a brownout or voltage drop.

Undervoltage instant release: "MN"

When its supply voltage drops (between 70 and 35%), it controls the tripping and opening of the circuit-breaker or residual current circuit-breaker with which it is combined. Furthermore, it prevents the circuit-breaker or the residual current circuit-breaker from reclosing as long as its supply voltage is not restored.

- > Utilisation:
 - emergency stop using a pushbutton,
 - safety on the circuits supplying several machines by preventing "uncontrolled" restart of all motors.

Shunt release: "MX + OF"

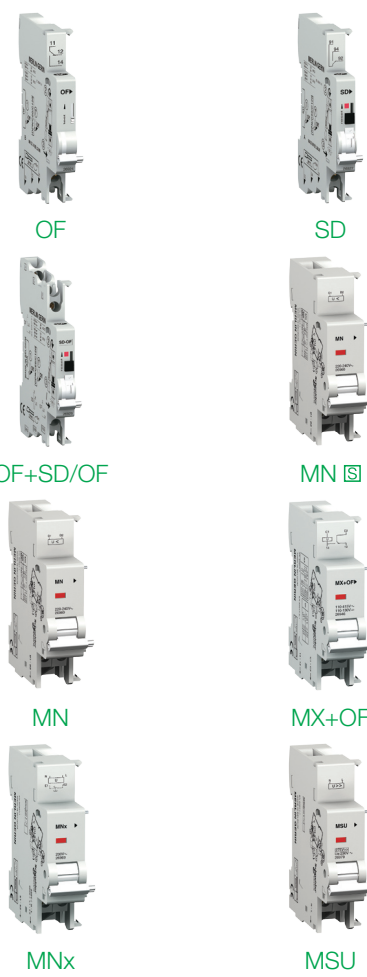
When energised, it controls the tripping and opening of the circuit-breaker or residual current circuit-breaker with which it is combined. Equipped with an O +C contact to indicate the "open" or "closed" position of the circuit-breaker or the residual current circuit-breaker.

Release for pushbutton: "MNx"

Completely unaffected by power supply circuit cuts, it is recommended for fail-safe emergency stops. Replaces the "voluntary" MX release equipped with its NO/NC indicator lights.

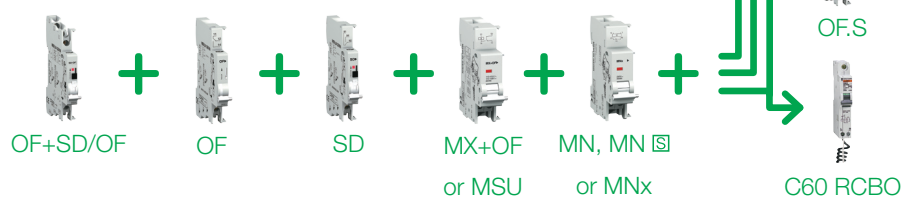
Release with voltage threshold: "MSU"

Specially designed to monitor voltage between the neutral and phase(s) conductors, it cuts off the power supply by opening the circuit-breaker in the event of overvoltage (case of neutral breaking).

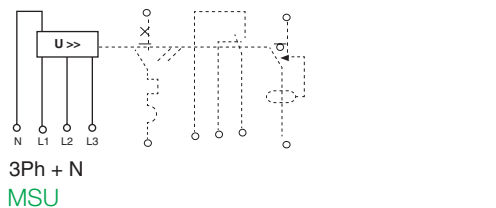
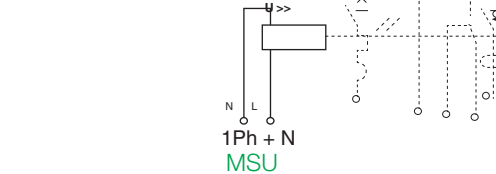
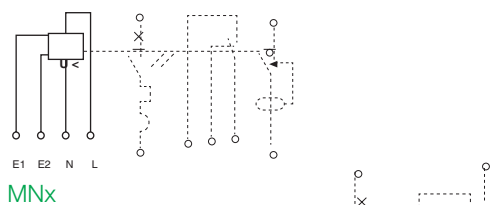
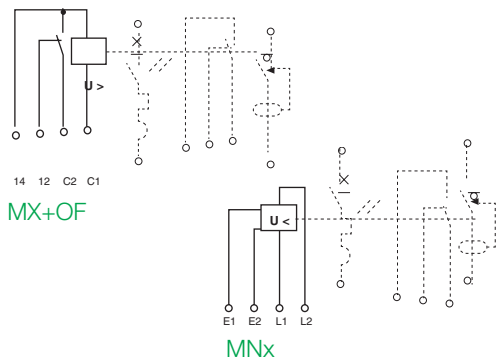
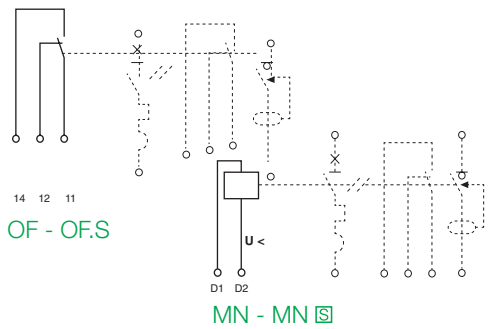
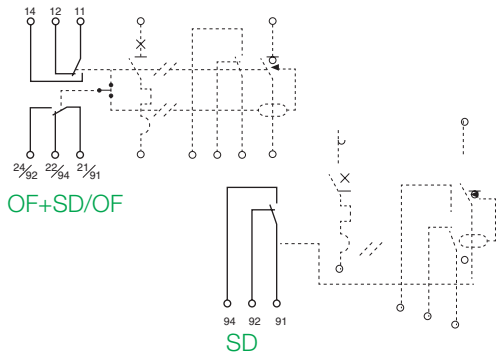


The range

Auxiliaries



Wiring schemes



Owing to changes in standards and equipment, the characteristics given in the text and images in this document are not binding until they have been confirmed with us.

Implementation

- > Designed for installation in modular electrical enclosures and cubicles.
- > Easy connection and reliability ensured by the serrated tunnel terminals with guard.
- > Captive screws with mixed \pm imprint.
- > Simplified combination with C60, C120, DPN Vigi circuit-breakers and ID residual current circuit-breakers using clip-ons. The electrical auxiliaries allow remote tripping or indication of the circuit-breakers with or without Vigi module. They are mounted on the left-hand side of the circuit-breaker (max. width: 54 mm). Use of the OF.S auxiliary contact is compulsory for adding the MN, MX, SD, OF, MNx, MSU functions to the ID residual current circuit-breaker switch.

Operation simulation

- > On the front face of the auxiliary contacts (26924 26927), a test button allows for the OF and SD functions to be simulated without generating the circuit-breaker or the residual current circuit-breaker.

Technical data

Type	Voltage (V)	Width in mod. of 9mm	Cat. no.
Auxiliary contacts			
OF		1	26924
OF.S		1	26923
Fault indicating switch			
SD		1	26927
Changeover contact			
OF+SD/OF		1	26929
Undervoltage release			
MN	220 to 240 V AC	2	26960
	48 V AC	2	26961
	48 V AC	2	26962
MN	220 to 240 V AC	4	26963
0.2 sec delay			
Release for PB pushbutton with opening			
MNx	230 V AC	4	26969
	400 V AC	4	26971
Shunt release			
MX+OF	220 to 415 V AC	2	26946
	110 to 130 V DC		
	48 to 13 V AC	2	26947
	48 V DC		
	24 V AC - DC	2	26948
Voltage increase release	12 V AC - DC	2	26949
MSU	230 V AC	4	26979
	400 V AC	4	26980
Release consumption			
Type			
MX	415 V AC		(W or VA) 120
	220 to 240 V AC		50
	110 to 130 V AC		200
	110 to 130 V DC		10
	48 V AC - DC		22
	24 V AC - DC		120
	12 V AC - DC		120
	MN 220 240 V AC		4.1
	48 V AC		4.3
	48 V DC		2.0
MN	220 to 240 V AC		4.1
MNx	230 V AC		50
	400 V AC		120
Contact auxiliary breaking capacity			
Voltage (V)			
			(A)
415 V AC			3
≤ 240 V AC			6
130 V DC			1
≤ 24 V DC			6

Schneider Electric New Zealand Ltd

Customer Care Freecall 0800 652 999

www.schneider-electric.co.nz

© Schneider Electric 2008