






Applications		D.O.L. starters				
Type		Standard starters				
						
Standard power ratings of 3-phase motors in AC-3 400/415 V		4...37 kW	0.06...45 kW	0.55...30 kW	0.37...5.5 kW	0.25...45 kW
Starters	Manual	•	•	•	–	–
	Auto	–	–	–	•	•
Isolation	Switch	•	–	–	–	–
	Circuit-breaker	–	•	•	•	–
	Fuse carrier	–	–	–	–	–
Protection	Short-circuit	–	•	•	•	–
	Overload	–	•	•	•	•
Communication		–	–	–	–	–
References	Non-reversing	VpF VCFN VpFX	GV2 ME GV3 CE	GV2 LC GV NGC	LE1 GVME	LE1 M LE1 D
	Reversing	–	–	–	–	LE2 K LE2 D
Pages		23008/2 and 23008/3	24720/2 and 24720/3	24110/2	24111/2	24101/2, 24101/3 and 24105/2

Starters for safety applications					Starters for use on AS-Interface line	Soft starters	
Starters for safety applications		Starters for use on AS-Interface line			Standard star-delta starters		
							
2.2...45 kW	0.06...11 kW	0.06...9 kW	0.06...9 kW	0.06...5.5 kW	5.5...132 kW	7.5...75 kW	
–	•	–	–	–	–	–	
•	–	•	•	•	•	•	
–	–	•	–	–	–	–	
–	•	•	•	•	–	–	
•	–	–	–	–	–	•	
•	•	•	•	•	–	•	
•	•	•	•	•	•	•	
–	–	–	–	•	–	–	
LE4 K LE4 D	GV2 ME	LG1 K LG1 D	LG7 K LG7 D LJ7 K	LF3 P LF3 M	LE3 K LE3 D LE3 F	LE6 D LE3 D	
LE8 K LE8 D LE2 D	–	–	LG8 K LJ8 K	LF4 P LF4 M	–	–	
24103/2 and 24103/3	21058/2 and 21058/3	24026/3	24026/2, 24026/3, 26044/2 and 26044/3	24084/2 and 24084/3	24106/2, 24106/3 and 25017/2	24108/2 and 24108/3	

TeSys enclosed starters

D.O.L. starters for motor control (1)

2.2 to 45 kW, without isolating device

Characteristics

Conforming to standards	IEC 60947-4-1 and IEC 60439-1, VDE 0660-102, EN 60947
Degree of protection conforming to IEC 60529	IP 659: LE2 K IP 657: LEp D09...D35 IP 557: LEp D405...D955
Ambient air temperature	Operation: - 5...+ 40 °C
Operating positions	Same as that of the contactors
Material	Polycarbonate (2): LE2 K and LEp D09...D35 Sheet steel: LEp D405...D955

References

526423



LE1 D12pp

526424



LE2 D12pp

Non-reversing starters

Standard power ratings of 3-phase motors 50-60 Hz in category AC-3							Maximum current I _n the up to	Basic reference, to be completed by adding the voltage code (3)	Weight
220 V	380 V	415 V	440 V	500 V	660 V	690 V			
kW	kW	kW	kW	kW	kW	kW	A		kg
2.2	4	4	4	5.5	5.5	5.5	9	LE1 D09pp	0.920
3	5.5	5.5	5.5	7.5	7.5	7.5	12	LE1 D12pp	0.920
4	7.5	9	9	10	10	10	18	LE1 D18pp	1.015
5.5	11	11	11	15	15	15	25	LE1 D25pp	1.015
7.5	15	15	15	18.5	18.5	18.5	35	LE1 D35pp	4.320
11	18.5	22	22	22	30	30	40	LE1 D405pp	4.820
15	22	25	30	30	33	33	50	LE1 D505pp	4.850
18.5	30	37	37	37	37	37	65	LE1 D655pp	4.850
22	37	45	45	55	45	45	80	LE1 D805pp	5.140
25	45	45	45	55	45	45	95	LE1 D955pp	5.440

Reversing starters

1.5	2.2	2.2	3	-	-	-	6	LE2 K065pp	1.080
2.2	4	4	4	-	-	-	9	LE2 K095pp	1.080
-	-	-	-	5.5	5.5	-	9	LE2 D09pp (4)	2.100
-	-	-	-	5.5	5.5	-	9	LE2 D09pp	2.100
3	5.5	5.5	5.5	7.5	7.5	-	12	LE2 D12pp	2.100
4	7.5	9	9	10	10	-	18	LE2 D18pp	2.410
5.5	11	11	11	15	15	-	25	LE2 D25pp	2.570
7.5	15	15	15	18.5	18.5	-	35	LE2 D35pp	4.100
11	18.5	22	22	22	30	-	40	LE2 D405pp	5.270
15	22	25	30	30	33	-	50	LE2 D505pp	5.470
18.5	30	37	37	37	37	-	65	LE2 D655pp	5.470
22	37	45	45	55	45	-	80	LE2 D805pp	6.700
25	45	45	45	55	45	-	95	LE2 D955pp	7.000

(1) Overload protection must be provided by a thermal overload relay, to be ordered separately, see pages 24514/2 and 24514/3.

(2) Avoid placing this material in contact with harsh substances (detergents, chlorine solvents, ketones, alcohol, aromatic hydrocarbons).

(3) Standard control circuit voltages.

Volts	24	42	48	110	115	220	230	240	380	400	415	440
a 50/60 Hz												
LE2 K	B7	D7	E7	F7	-	M7	P7	U7	Q7	V7	N7	R7
LE1, LE2 D	B7	D7	E7	F7	FE7	M7	P7	U7	Q7	V7	N7	R7

Other voltages: please consult your Regional Sales Office.

(4) Selection according to the number of operating cycles, please consult your Regional Sales Office.

TeSys enclosed starters

D.O.L. starters for motor control (1)

2.2 to 45 kW, without isolating device



LE1 D12ppA04



LE1 D12ppA05



LE1 D12ppA09



LE1 D12ppA13



LE1 D12ppA35

Description

Standard versions comprise:

- For non-reversing starters:
 - 1 green Start button "I",
 - 1 red Stop/Reset button "O".
- For reversing starters:
 - LE2 K:
 - 1 Start button ↑,
 - 1 Start button ↓,
 - 1 red Stop/Reset button.
 - LE2 D09...D35:
 - 1 2-position spring return selector switch "I"- "II",
 - 1 red Stop/Reset button "O",
 - LE2 D405...D955:
 - 1 blue Reset button "R".

Variants (pre-assembled)

Description	Application	Suffix to be added to the starter reference (2)
No pushbuttons on cover	LE1 D09...D955 LE2 D09...D955	A04
1 green Start button "I" 1 green Start button "II" 1 red Stop/Reset button "O"	LE2 D405...D955	A11
1 blue Reset button "R"	LE1 D09...D955 LE2 K06 and K09 LE2 D09...D35	A05
1 3-position stay put selector switch ("I"- "O"- "II") ("I": Automatic Start; "O": Stop; "II": Manual Start) 1 blue Reset button "R"	LE1 D09...D35	A09
1 2-position stay put selector switch "O"- "I" ("O": Stop; "I": Manual Start) 1 blue Reset button "R"	LE1 D09...D35	A13
1 3-position selector switch "O"- "I" spring return to centre position ("I": Manual start; "O": Stop, stay put) 1 blue Reset button "R"	LE1 D09...D35	A35
1 neutral terminal Fitted as standard on LE1 and LE2 D09 to D35, LE1 and LE2 D405 to D955 starters ordered with 222 V (M7), 230 V (P7) or 240 V (U7) control supply	LE1 D405...D955 LE2 K06 and K09 LE2 D405...D955	A59
Mounting of an LC1 D09 or D12 contactor in an enclosure identical to LE1 D18 (3)	LE1 D09 LE1 D12	T

Accessory (for customer assembly)

Description	Application	Reference	Weight kg
Start pushbutton latching device for stay put operation (Start-Stop)	LE1 D405...D955	LA9 D09907	0.060

(1) See previous page.
 (2) Example: **LE1 D09F7A04**.
 (3) See dimensions page 24102/2.

Other versions

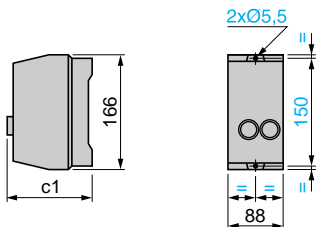
Possible combinations of 2 variants.
 Please consult your Regional Sales Office.

TeSys enclosed starters

D.O.L. starters for motor control
2.2 to 45 kW, without isolating device

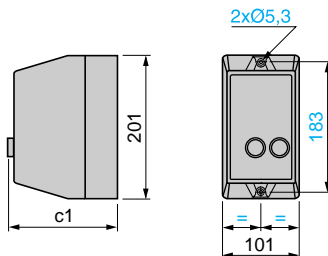
Dimensions

LE1 D09 and D12



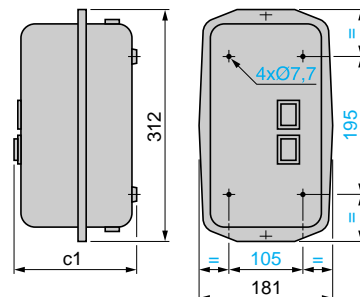
	c1
Standard version	128.5
Variant A04	135
Variant A05	128.5
Variant A09	135
Variant A13	135
Variant A35	135

LE1 D09 and D12ppT LE1 D18...D35 and LE2 D09...D35



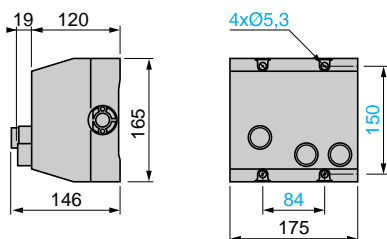
	c1	
	LE1 D	LE2 D
Standard version	153.5	160
Variant A04	145	145
Variant A05	153.5	153.5
Variant A09	160	–
Variant A13	160	–
Variant A35	160	–

LE1 D405...D655

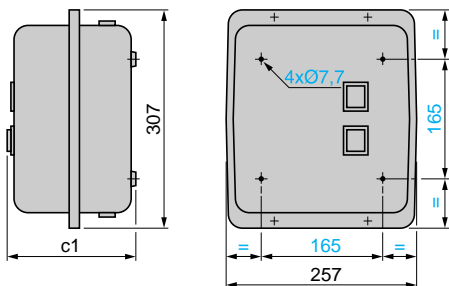


	c1
Standard version	161
Variant A04	150
Variant A05	161

LE2 K06 and K09

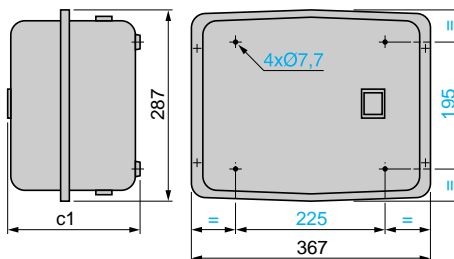


LE1 D805, LE1 D955 and LE2 D405...D655



	c1	
	LE1 D	LE2 D
Standard version	176	176
Variant A04	165	165
Variant A05	176	–
Variant A11	–	176

LE2 D805 and D955



	c1
Standard version	194
Variant A04	190
Variant A05	194

Knock-outs or blanking plugs for cable glands

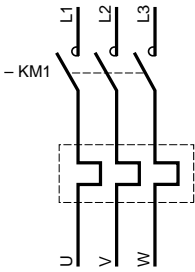
Type of enclosure	At top		At bottom	
	PG	ISO	PG	ISO
LE1 D09 and D12	–	2 x 20	2 x 13 or 2 x 16	2 x 20
LE1 D18...D35 and LE2 D09...D35	–	2 x 20 or 2 x 25	2 x 16 or 2 x 21	2 x 20 or 2 x 25
LE2 D405	1 x 13 and 1 x 21	1 x 20 and 1 x 25	1 x 13 and 2 x 21	1 x 20 and 2 x 25
LE1 D405...D655, LE2 D505 and D655	1 x 13 and 1 x 29	1 x 20 and 1 x 32	1 x 13 and 2 x 29	1 x 20 and 2 x 32
LE1 or LE2 D805 and D955	1 x 13 and 1 x 36	1 x 20 and 1 x 40	1 x 13 and 2 x 36	1 x 20 and 2 x 40
LE2 K	2 x 13 and 2 x 16	4 x 20	2 x 13 and 2 x 16	4 x 20

TeSys enclosed starters

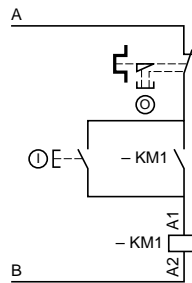
D.O.L. starters for motor control
2.2 to 45 kW, without isolating device

Schemes

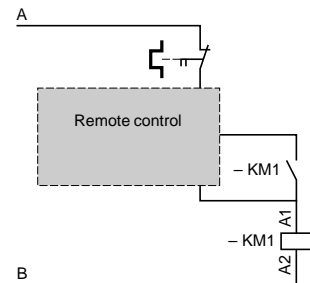
LE1 D09...D955



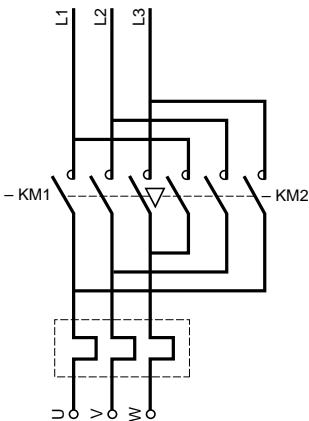
LE1 D09...D955



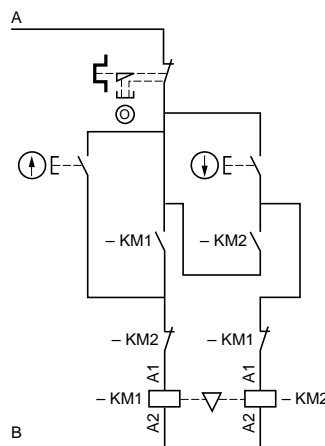
Variant A04 or A05



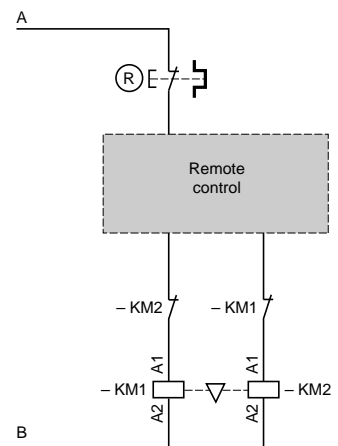
LE2 K06, K09



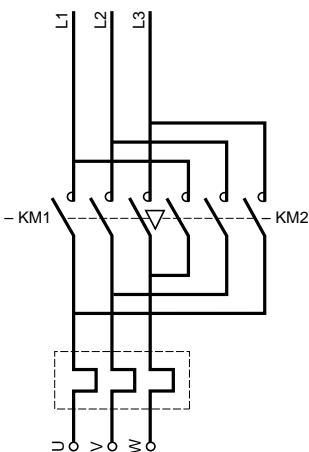
LE2 K06, K09



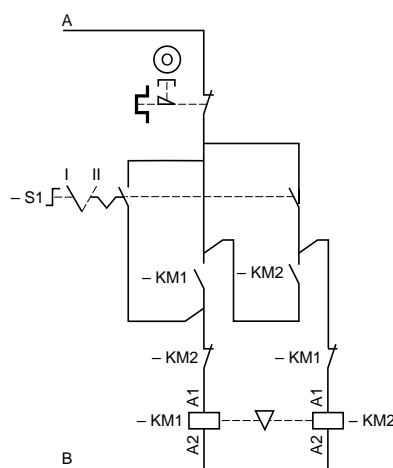
Variant A05



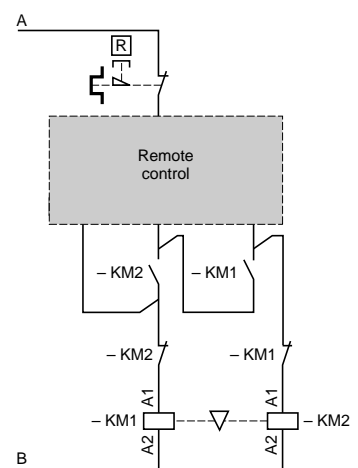
LE2 D09...D955



LE2 D09...D35



LE2 D405...D955, LE2 D09...D955 with variants A04 or A05



Connections

220 V, 230 V, 240 V

LE2 K, LE1 and LE2 D09 and D12
LE1 and LE2 D18...D955

A L3
B Neutral
L3 Neutral terminal

380 V, 400 V, 415 V, 440 V

All products

L3 L1

Other voltages

LE1 and LE2 D09...D35
LE2 K, LE1 and LE2 D405 and D955

Terminal 1 Terminal 2
Direct connection

Characteristics

Conforming to standards	IEC 60947-4-1 and IEC 60439-1, VDE 0660-102, EN 60947
Degree of protection conforming to IEC 60529	IP 659: LEp K IP 657: LEp D09...D35 IP 557: LEp D406...D806
Ambient air temperature	Operation: - 5...+ 40 °C
Operating positions	Same as that of the contactors
Material	Polycarbonate (2): LEp K and LEp D09...D35 Sheet steel: LEp D406...D806

References

511647



LE4 D12pp

526430



LE8 D12pp

Non-reversing starters

Standard power ratings of 3-phase motors 50-60 Hz in category AC-3						Maximum current I _{th} the up to	Fuses to be fitted by the customer		Basic reference, to be completed by adding the voltage code (3)	Weight
220 V 230 V	380 V 400 V	415 V	440 V	500 V	660 V 690 V		Size	Type aM		
kW	kW	kW	kW	kW	kW	A	A			kg
1.5	2.2	2.2	3	–	–	6	10 x 38	10	LE4 K065pp	1.450
2.2	4	4	4	–	–	9	10 x 38	12	LE4 K095pp or LE4 D09pp (4)	1.450 1.960
2.2	4	4	4	5.5	–	9	10 x 38	12	LE4 D09pp	1.960
3	5.5	5.5	5.5	7.5	–	12	10 x 38	16	LE4 D12pp	1.960
4	7.5	9	9	10	–	18	10 x 38	20	LE4 D18pp	2.200
5.5	11	11	11	15	–	25	10 x 38	25	LE4 D25pp	2.200
7.5	15	15	15	18.5	18.5	35	14 x 51	32	LE4 D35pp	5.190
11	18.5	22	22	22	30	40	14 x 51	40	LE4 D406pp	5.770
15	22	25	30	30	33	50	22 x 58	63	LE4 D506pp	6.440
18.5	30	37	37	37	37	65	22 x 58	80	LE4 D656pp	6.670
22	37	45	45	55	45	80	22 x 58	80	LE4 D806pp (5)	7.100

Reversing starters

1.5	2.2	2.2	3	–	–	6	10 x 38	10	LE8 K065pp	1.600
2.2	4	4	4	–	–	9	10 x 38	12	LE8 K095pp or LE8 D09pp (4)	1.600 3.550
–	–	–	–	5.5	–	9	10 x 38	12	LE8 D09pp	3.550
3	5.5	5.5	5.5	7.5	–	12	10 x 38	16	LE8 D12pp	3.550
4	7.5	9	9	10	–	18	10 x 38	20	LE8 D18pp	3.700
5.5	11	11	11	15	–	25	10 x 38	25	LE8 D25pp	4.670
7.5	15	15	15	18.5	18.5	35	14 x 51	32	LE8 D35pp	5.800
11	18.5	22	22	22	30	40	14 x 51	40	LE2 D406pp	14.170
15	22	25	30	30	33	50	22 x 58	63	LE2 D506pp	14.700
18.5	30	37	37	37	37	65	22 x 58	80	LE2 D656pp	14.770
22	37	45	45	55	45	80	22 x 58	80	LE2 D806pp	16.000

(1) Overload protection must be provided by a thermal overload relay, to be ordered separately, see pages 24514/2 and 24514/3.

(2) Avoid placing this material in contact with harsh substances (detergents, chlorine solvents, ketones, alcohol, aromatic hydrocarbons).

(3) Standard control circuit voltages.

Volts	24	42	48	110	115	220	230	240	380	400	415	440
LEp K	B7	D7	E7	F7	–	M7	P7	U7	Q7	V7	N7	R7
LEp D	B7	D7	E7	F7	FE7	M7	P7	U7	Q7	V7	N7	R7

Other voltages: please consult your Regional Sales Office.

(4) Selection according to dimensions and the number of operating cycles, please consult your Regional Sales Office.

(5) Supplied with 3 cable entries.

TeSys enclosed starters

D.O.L. starters for motor control (1)

2.2 to 45 kW, with isolating device

526431



LE4 D12ppA04

526432



LE4 D12ppA05

Description

Standard versions comprise:

- For non-reversing starters:
 - LE4 K and LE4 D09...D656
 - 1 green Start button "I",
 - 1 red Stop/Reset button "O".
 - LE4 D806
 - no pushbuttons on cover
- For reversing starters:
 - LE8 K :
 - 1 Start button ↑,
 - 1 Start button ↓,
 - 1 red Stop/Reset button.
 - LE8 D09...D35 :
 - 1 2-position spring return selector switch "I"- "II",
 - 1 red Stop/Reset button "O",
 - LE2 D406 to D806:
 - no pushbuttons on cover.

Protection	Power circuit	Control circuit
LE4 and LE8 K	1 3-pole isolating device	None
LE4 and LE8 D09...D25	1 3-pole isolating device	+ 1 additional pole
LE4 and LE2 D35...D806	1 3-pole isolating device	+ 1 circuit-breaker GB2 CB08

Variants (pre-assembled)

Description	Application	Suffix to be added to the starter reference (2)
No pushbuttons on cover	LE4 D09...D656 LE8 D09...D35	A04
1 green Start button "I" 1 green Start button "II" 1 red Stop/Reset button "O"	LE2 D406...D806	A11
1 blue Reset button "R"	LE4 D09...D806 LE8 K06 and K09 LE8 D09...D35 LE2 D406...D806	A05
1 neutral terminal Fitted as standard on LE4 D18...D806, LE8 D18...D35 and LE4 D406...D806 starters ordered with 220 V (M7), 230 V (P7) or 240 V (U7) control supply	LE4 K06 and K09 LE4 D09...D806 LE8 K06 and K09 LE8 D09...D35 LE2 D406...D806	A59

Accessory (for customer assembly)

Description	Application	Reference	Weight kg
Start pushbutton latching device for stay put operation (Start-Stop)	LE4 D406...D656	LA9 D09907	0.060

(1) See previous page

(2) Example: **LE4 D09FTA04**.

Other versions

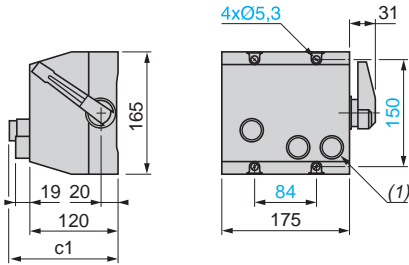
Possible combinations of 2 variants.
Please consult your Regional Sales Office.

TeSys enclosed starters

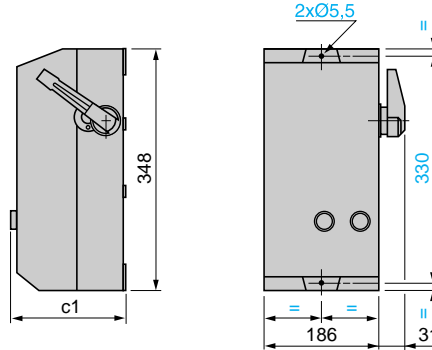
D.O.L. starters for motor control
2.2 to 45 kW, with isolating device

Dimensions

LE4 K06 and K09, LE8 K06 and K09



LE4 D09...D35, LE8 D09...D35

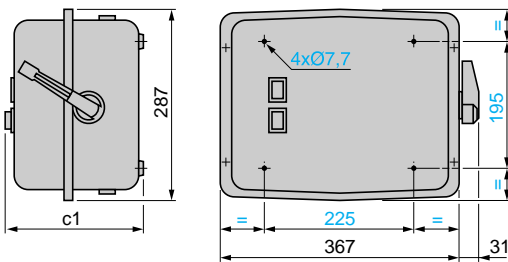


	c1	
	LE4 K	LE8 K
Standard version	146	146
Variant A05	–	139

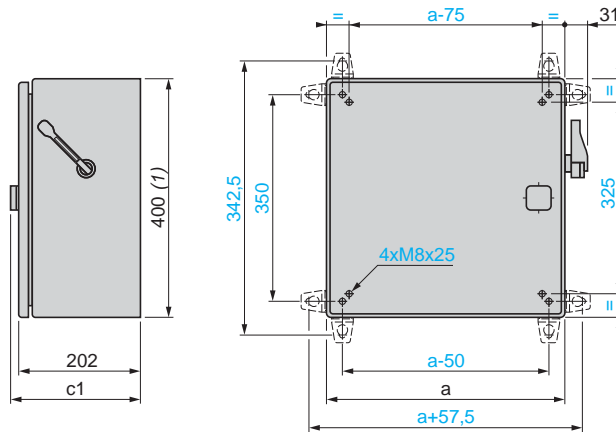
(1) For LE8 only

	c1	
	LE4 D	LE8 D
Standard version	175.5	182
Variant A04	167	167
Variant A05	175.5	175.5

LE4 D406...D656



LE2 D406...D806, LE4 D806



	c1
Standard version	201
Variant A04	190
Variant A05	201

	a
LE2 D406, D506, D656	300
LE2 D806	400
LE4 D806	400

(1) + 14 mm with blanking plugs.

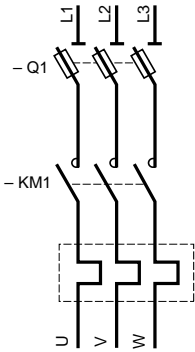
	c1	
	LE2 D	LE4 D
Standard version	218	218
Variant A05	218	218
Variant A11	–	218

Knock-outs or blanking plugs for cable glands

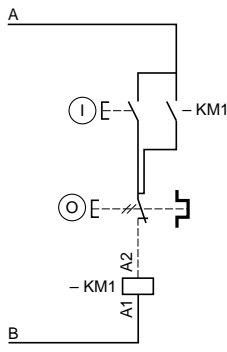
Type of enclosure	At top		At bottom	
	PG	ISO	PG	ISO
LE4 and LE8 D09...D35	–	2 x 20 or 2 x 25 or 2 x 32 or 2 x 40	–	2 x 20 or 2 x 25 or 2 x 32 or 2 x 40
LE2 D09...D35	–	2 x 20 or 2 x 25	–	2 x 20 or 2 x 25
LE2 D406 and LE4 D406	1 x 13 and 1 x 21	1 x 20 and 1 x 25	1 x 13 and 2 x 21	1 x 20 and 2 x 25
LE1 D506...D656, LE4 D506 and D656	1 x 13 and 1 x 29	1 x 20 and 1 x 32	1 x 13 and 2 x 29	1 x 20 and 2 x 32
LE2 D806 and LE4 D806	1 x 13 and 1 x 36	1 x 20 and 1 x 40	1 x 13 and 2 x 36	1 x 20 and 2 x 40
LE4 K and LE8 K	2 x 13 and 2 x 16	4 x 20	2 x 13 and 2 x 16	4 x 20

Schemes

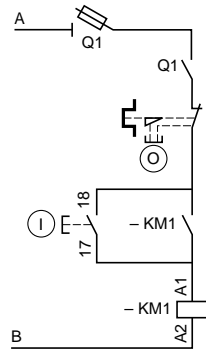
**LE4 K06, K09
LE4 D09...D806**



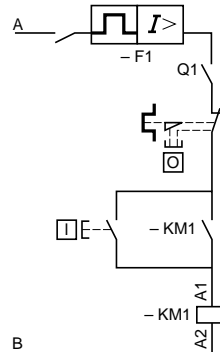
LE4 K06, K09



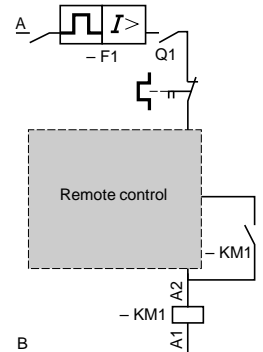
LE4 D09...D35



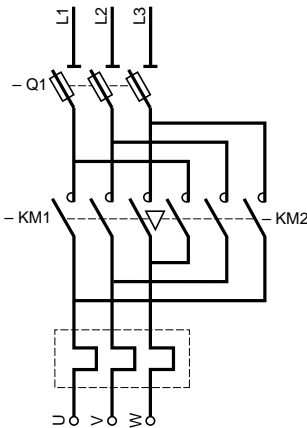
LE4 D406...D656



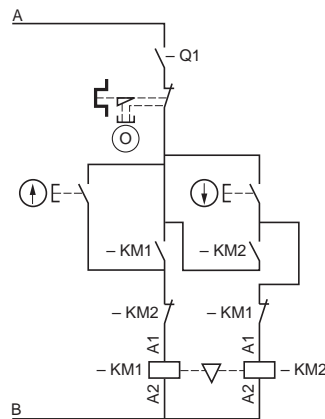
**LE4 D806, LE4 D09...D656
with variant A04 or A05**



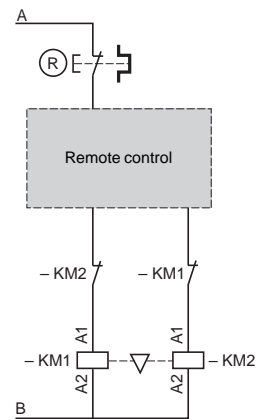
LE8 K06, K09



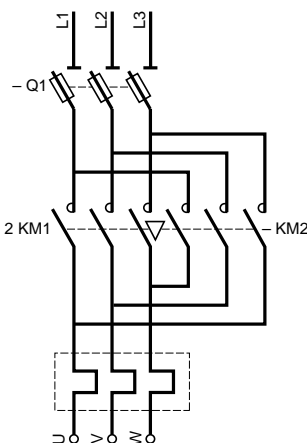
LE8 K06, K09



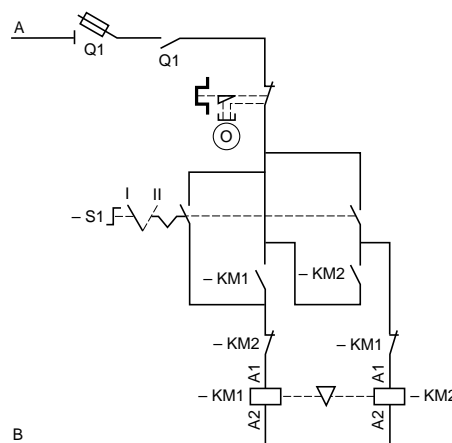
Variant A05



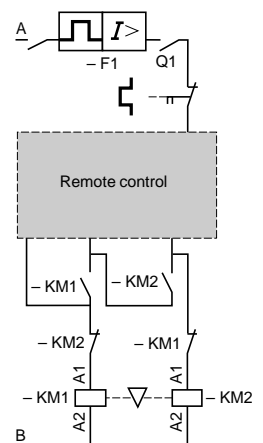
LE8 D09...LE2 D806



LE8 D09...D35



LE2 D406...D806



Connections

220 V, 230 V, 240 V

LE4 and LE8 K, LE4 and LE8 D09 and D12
LE4 D18...D806, LE8 D18...D35 and LE2 D406...D806

A	B
L3	Neutral
L3	Neutral terminal

380 V, 400 V, 415 V, 440 V

All products

A	B
L3	L1

Other voltages

LE4 and LE8 D09...D35
LE4 and LE2 D406...D806

A	B
Terminal 1	Terminal 2
Direct connection	

TeSys enclosed starters

D.O.L. starters for motor control
0.25 to 7.5 kW with 3-phase thermal
overload relay with 3 protected phases

Characteristics (1)

Conforming to standards	IEC 60947-4-1, IEC 60439-1, VDE 0660-102 and EN 60947
Degree of protection conforming to IEC 60529	IP 65
Ambient air temperature	Operation: - 5 to + 40 °C
Operating positions	Same as for the TeSys K contactors
Material	Self-extinguishing ABS

References



LE1 M35pppp

Non-reversing starters

Starter LE1 M, combined with short-circuit protection components, provides type 1 or type 2 coordination, depending on the type of devices used.

Standard power ratings of 3-phase motors 50-60 Hz in category AC-3				Setting range of thermal overload relay LR2 K (2)	Basic reference, to be completed by adding the voltage code (3)	Weight
220 V 230 V	240 V	380 V 400 V	415 V			
kW	kW	kW	kW	A		kg
0.12	0.12	0.25	0.25	0.54...0.8	LE1 M35pp05	0.600
0.18	0.18	0.37	0.37	0.8...1.2	LE1 M35pp06	0.600
0.25	0.25	0.55	0.55	1.2...1.8	LE1 M35pp07	0.600
0.37	0.37	1.1	0.75	1.8...2.6	LE1 M35pp08	0.600
0.55	0.55	1.5	1.5	2.6...3.7	LE1 M35pp10	0.600
1.1	0.75	2.2	2.2	3.7...5.5	LE1 M35pp12	0.600
1.5	1.1	3	3	5.5...8	LE1 M35pp14	0.600
2.2	2.2	4	4	8...11.5	LE1 M35pp16	0.600
3	3	5.5	5.5	10...14	LE1 M35pp21	0.600
3.7	4	7.5	7.5	12...16	LE1 M35pp22	0.600

Description

■ The standard version comprises:

- 1 TeSys contactor LC1 K●●,
- 1 TeSys thermal overload relay LR2 K,
- 1 green Start button "I",
- 1 red Stop/Reset button "O/R",
- 1 yellow operating indicator.

■ Control may be pulsed or maintained.

■ An earth terminal and a neutral terminal are provided on the bottom of the enclosure.

■ For safety applications, see enclosed starters:

GV2 MC, LG1 K, LG1 D, LG7 K, LG7 D, LJ7 K, LG8 K and LJ8 K.

Variant

Starter without thermal overload relay LR2 K

Delete the last 2 digits of the starter references selected above.

Example: **LE1 M35pp**

Replacement part

Description	Basic reference, to be completed by adding the voltage code (3)	Weight
		kg
Contactor	LC1 KppA80	0.180

(1) For characteristics of TeSys K contactor, see pages 22008/2 and 22008/3.

For characteristics of TeSys thermal overload relay LR2 K, see pages 24401/2 to 24401/5.

(2) Thermal overload relay fitted as standard.

(3) The contactor coil is pre-wired between 2 phases of the power circuit.

The codes indicated below therefore correspond to the **power circuit voltage**.

Volts	24	220	230	240	380	400	415	440
a 50/60 Hz								
Code	B7	M7	P7	U7	Q7	V7	N7	R7

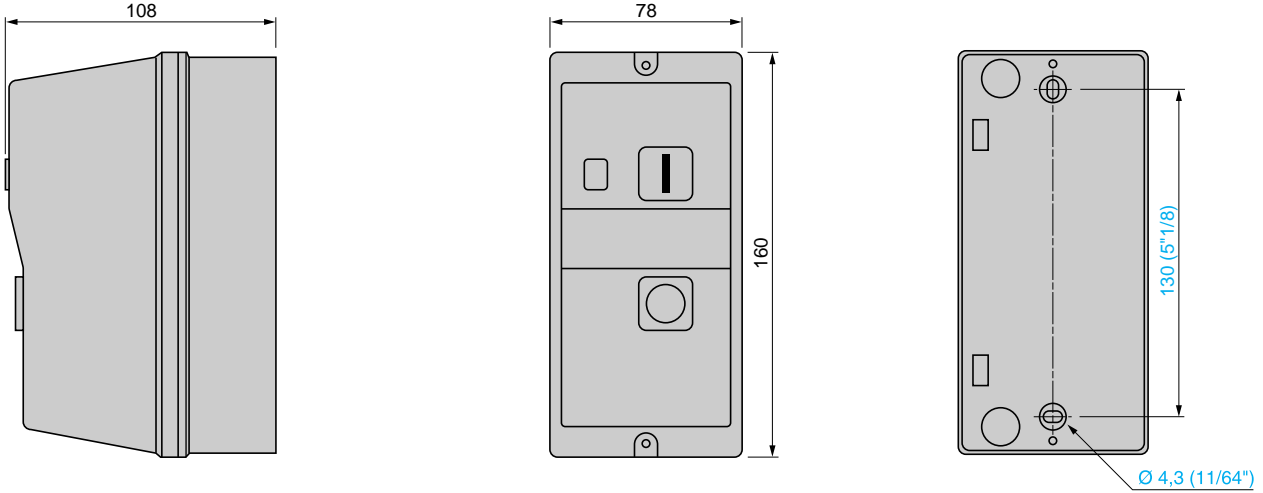
Example: 380/400 V 3-phase supply, 4 kW motor: **LE1 M35Q716**.

TeSys enclosed starters

D.O.L. starters for motor control
0.25 to 7.5 kW with 3-phase thermal
overload relay with 3 protected phases

Dimensions

LE1 M35 (1)



Knock-outs or blanking plugs for cable glands

Enclosure type	At top		At bottom	
	PG	ISO	PG	ISO
LE1 M	2 x 13 to 2 x 21	2 x 20 or 2 x 25	2 x 13 to 2 x 21	2 x 20 or 2 x 25

(1) Can be mounted on machine panel or frame. Knock-outs for 4 x 13 P cable glands.

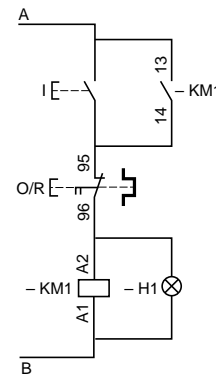
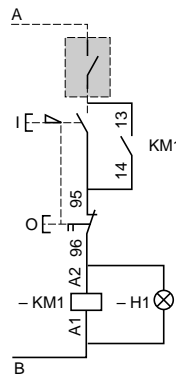
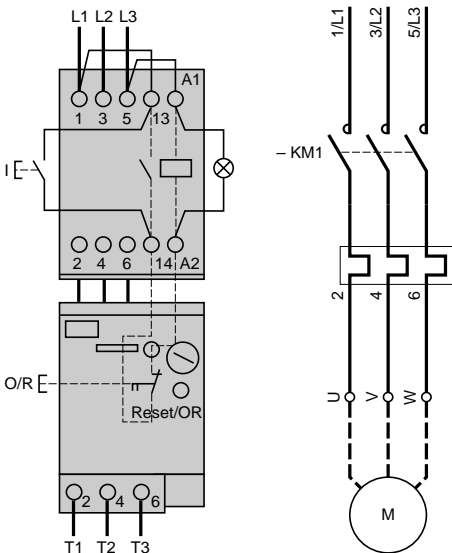
Schemes

LE1 M35

Choice of type of control built into the product

Control by latching pushbuttons

Control by spring return pushbuttons



Connection	A	B
220 V, 230 V, 240 V	L3	Neutral
380 V, 400 V, 415 V, 440 V	L3	L1
Other voltages	Terminal 1	Terminal 2

Characteristics, references



LE1 GVMEppKpp



LE1 GVMEK

Accessories (to be ordered separately)

Description		Sold in lots of	Unit reference	Weight kg
Padlocking device (4) for GV2 ME operator (padlocking is only possible in the "O" position)	1 to 3 padlocks Ø 4 to 8 mm	1	GV2 V01	0.075
Mushroom head "Stop" pushbutton Ø 40 mm, red	Spring return (4)	1	GV2 K011	0.052
	Latching (4) IP 55	1	GV2 K021	0.160
	Key release, key n° 455	1	GV2 K031	0.115
	Turn to release	1	GV2 K04 (5)	0.120
Sealing kit	IP 55 for temperature between + 5°C and + 40°C	10	GV2 E01	0.012
	IP 55 for temperature between - 20°C and + 40°C	10	GV2 E02	0.012

(1) Avoid placing this material in contact with harsh substances (detergents, chlorine solvents, ketones, alcohol, aromatic hydrocarbons).

(2) Standard control circuit voltages.

Volts	24	42	48	110	115	220	230	240	380	400	415	440
a 50/60 Hz												

Item B7 D7 E7 F7 – M7 P7 U7 Q7 V7 N7 R7

Other voltages: please consult your Regional Sales Office.

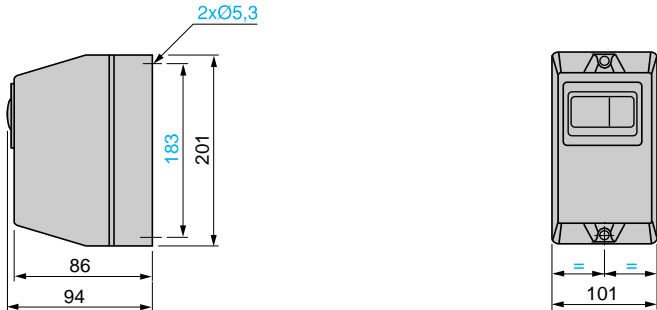
(3) Example: **LE1 GVME06KF7A59**.

(4) Supplied with IP 55 sealing kit.

(5) Padlockable in position "O" using Ø 4 to 8 mm shank padlocks.

Dimensions

LE1 GVMEK

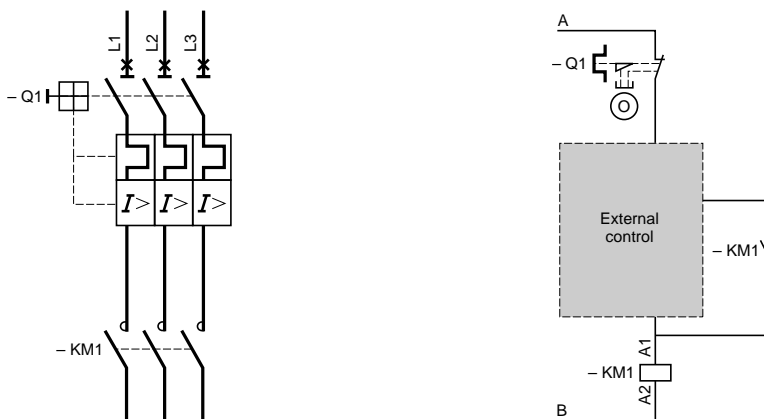


Knock-outs or blanking plugs for cable glands

Enclosure type	At top	At bottom
LE1 GV	ISO	ISO
	2 x 20 or 2 x 25	2 x 20 or 2 x 25

Schemes

LE1 GVMEK



Connections	A	B
220 V, 230 V, 240 V	L3	Neutral
380 V, 400 V, 415 V, 440 V	L3	L1
Other voltages	Terminal 1	Terminal 2