

Altivar 61 / 71

ATEX guide
Retain for future use

Variable speed drives for
synchronous motors and
asynchronous motors

For ATEX applications in explosive gas atmosphere
or in the presence of combustible dust



Contents

Functional Safety and ATEX applications	4
General	4
Applications for explosive atmosphere (ATEX)	5
Classification of ATEX zones	5
General	5
Identification of the ATEX marking	6
Schemes of cabling for ATEX applications	7
General	7
Scheme for ATEX installation N° 1	8
Scheme for ATEX installation N° 2	9
Scheme for ATEX installation N° 3	10
Scheme for ATEX installation N° 4	11
Scheme for ATEX installation N° 5	12
Scheme for ATEX installation N° 6	13
Scheme for ATEX installation N° 7	14
Scheme for ATEX installation N° 8	15

Functional Safety and ATEX applications

General

- The variable speed drives Altivar 61 and Altivar 71 integrate the "Power Removal" safety function which prohibits unintended equipment operation. The motor no longer produces torque. The use of the " Power Removal " safety function allows the drive to be installed as a part of the safety-related electrical, electronic and programmable electronic control systems, dedicated to the safety of a machine or an industrial process. This safety function complies with the standard for safety of machinery EN 954-1, category 3. It complies also with the standard for functional safety IEC/EN 61508 and with the power drive systems' product standard IEC/EN 61800-5-2, SIL2 capability.
- The use of the " Power Removal " safety function also allows the Altivar 61 and Altivar 71 variable speed drives to control and command motors installed in explosive atmospheres (ATEX).

Protection of the ATEX motor

The PWR input is connected to the switching system which is embedded in the thermal detector of the ATEX motor (or connected to the switching system of the control system if ATEX sensors of PTC type are used).

Applications for explosive atmosphere (ATEX)

Classification of ATEX zones

- The European directive 1999/92/EC (also called ATEX 137, or directive for protection of workers) classifies the ATEX zones and the type of products that they are compatible with. The user should define the ATEX zone in which the ATEX motor will be installed.
- The variable speed drives Altivar 61 and Altivar 71 shall always be installed in a safe area, outside the hazardous ATEX zone. Different schemes for installation are suggested in this document. They are compatible with the use of motors in ATEX zones 2, 22, 1 or 21. The table below summarises characteristics related to each ATEX zone.

Atmosphere	Zone	Definition	Presence of explosive atmosphere per year
Gas	0	Explosive atmosphere is present continuously, for long periods or frequently due to malfunctions	> 1000 h
Dust	20		
Gas	1	Explosive atmosphere is likely to occur due to expected malfunctions	10 ... 1000 h
Dust	21		
Gas	2	Explosive atmosphere is unlikely to occur or, if occurring, is likely to only be of short duration and not in normal duty	< 10 h
Dust	22		

Nota: Neither electrical equipments nor motors can be installed in ATEX zone 0 or 20.

General

The European directive 94/9/EC (also called ATEX 95, or product directive) defines applicable requirements for ATEX products and requirements for procedure of certification.

OEMs, installers, users are responsible for the choice and the commissioning of the products they use in order to realise the ATEX protection of systems that they design or systems that they implement.

- The motor is to be ATEX certified and to be compatible for use in zone 2/22 or 1/21.
- The motor shall be equipped with thermal detector(s) with embedded switching system ATEX certified, or shall be equipped with thermal detector(s) ATEX certified, associated to a control unit, which is to be also ATEX certified.

Warning : Usually, the control unit is designed to be used outside the hazardous ATEX zone. Then it is possible to install the control unit near the variable speed drive, in the safe area.

The switching system, embedded into the thermal detector, or included into the control unit of the thermal protection of the ATEX motor, shall be connected to the PWR input of the variable speed drive Altivar 61 or Altivar 71. When the excessive temperature of the ATEX motor is reached, the control system trips automatically the Power Removal safety function. The electrical power of the motor is removed in order to guarantee a temperature of the motor frame below the dangerous temperature for the gas or the dust atmosphere in which the ATEX motor is installed.

When the ATEX application needs to apply the " Power Removal " safety function, a safety module (type Preventa), is to be used. The suggested schemes describe how the switching system, embedded into the thermal detector or included into the control unit, is connected to the safety module. The output of the safety module is to be connected to the PWR input of the variable speed drive Altivar 61 or Altivar 71.

Remark : Stopping category related to the IEC/EN 60204-1

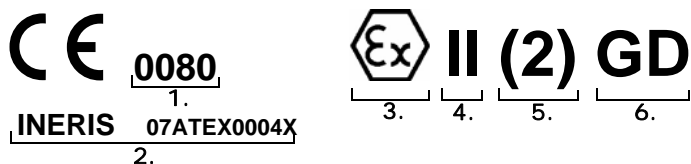
The schemes for installation, suggested in this document, show the use of a safety module (type Preventa XPS-AC) in combination with an ATEX application, with the use of the safety function when the stopping category 0, related to IEC/EN 60204-1, is required.

The user should take care for using a temporised safety module (type Preventa XPS-ATE), in combination with the ATEX application when the stopping category 1, related to IEC/EN 60204-1, is required.

Applications for explosive atmosphere (ATEX)

Identification of the ATEX marking

The variable speed drive Altivar 61 or Altivar 71, ATEX certified, can be recognised by the specific marking reproduced hereafter :



Single marking complies with all of the applications covered by the ATEX certification of the drive.

1. **0080** is the identification number of the notified body INERIS, which has delivered the notifications for systems of production quality assurance of production lines for drives, in compliance with the standard EN 50980.
2. **INERIS 07ATEX0004X** is the identification code of the certification report delivered by the notified body INERIS to demonstrate the compliance of the variable speed drive with the requirements of the ATEX 94/9/EC directive.
3. **Ex** is the logo related to the identification of an ATEX product.
4. **II** relates to the use of products for ATEX application in surface industries. (ATEX applications for mines industries are prohibited).
5. **(2)** Parenthesis identifies the variable speed drive Altivar 61 or Altivar 71 as a product associated with the control & command of an ATEX motor installed in a hazardous zone. The number 2 identifies the ATEX motor as a product of category 2 for use in ATEX zones 1 or 21. Motors of category 3 for use in ATEX zones 2 or 22 are also covered by this marking.
6. **G** for Gas, is related to ATEX applications in atmospheres with explosive gas.
D for Dust, is related to ATEX applications in atmospheres with a mixture of explosive dust.

Schemes of cabling for ATEX applications

General

Installation and commissioning of apparatus, including connection of cables shall comply with the local regulations where products are installed. Requirements provided by the ATEX standards for installation should be fulfilled, when applicable :

- IEC 60079-14 for applications in atmospheres with explosive gas.
- IEC 61241-14 for applications in atmospheres with presence of combustible dust.

in ATEX zones 1 or 2, for applications in atmospheres with explosive gas, the requirements of the IEC 60079-14 standard for installation are applicable.

IEC 60079-14: Electrical apparatus for explosive gas atmospheres - Part 14: Electrical installations in hazardous areas (other than mines)).

in ATEX zones 21 or 22, for applications in atmospheres with presence of combustible dust, the requirements of the IEC 61241-14 standard for installation are applicable.

IEC 61241-14 : Electrical apparatus for use in the presence of combustible dust - Part 14: Selection and installation

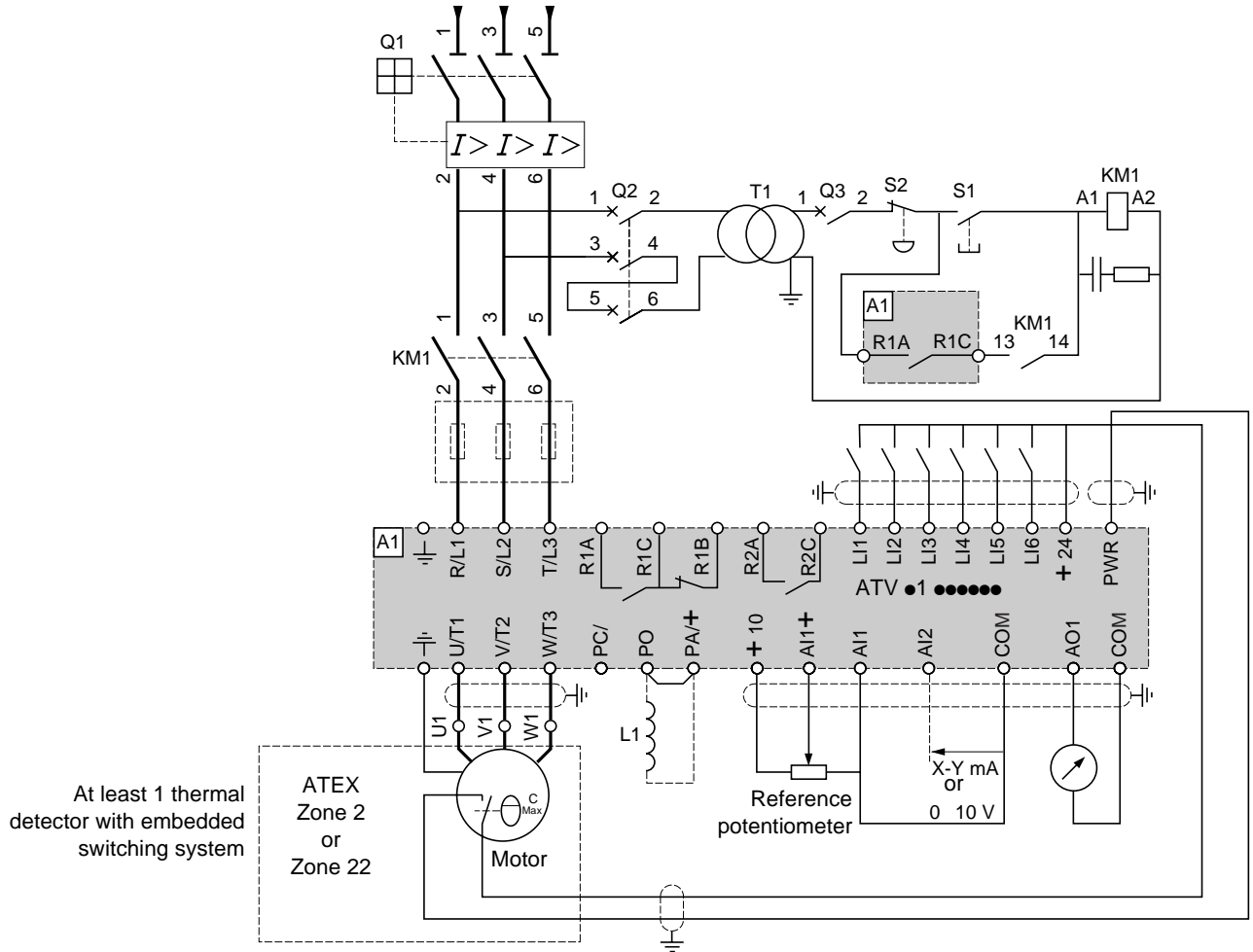
Schemes suggested in this document for installation and commissioning of variable speed drive Altivar 61 or Altivar 71 for ATEX applications are taking into account the different types of thermal detectors used with the ATEX motor.

- If the ATEX motor, installed in an hazardous zone 2 or 22, include at least one thermal detector with an embedded switching system (as defined in 3.1.4 of the IEC/EN 60947-8 standard) then, the switching system of this thermal detector can be directly connected to the PWR input of the variable speed drive. See [Scheme for ATEX installation N° 1](#) page 8 and [Scheme for ATEX installation N° 2](#) page 9.
- If the ATEX motor, installed in an hazardous zone 1 or 21, includes at least two thermal detectors with an embedded switching system (as defined in 3.1.4 of the IEC/EN 60947-8 standard) then, the switching system of these thermal detectors can be directly connected in series to the PWR input of the variable speed drive. See [Scheme for ATEX installation N° 5](#) page 12 and [Scheme for ATEX installation N° 6](#) page 13.
- If the ATEX motor, installed in an hazardous zone 2 or 22, , includes at least one thermal detector without any embedded switching system (for example a PTC sensor), then this one thermal detector shall be connected to a control unit (as defined in 3.1.15 of the IEC/EN 60947-8 standard). The control unit is a device which converts in a switching function the variation of the characteristic of a thermal detector. See [Scheme for ATEX installation N° 3](#) page 10 and [Scheme for ATEX installation N° 4](#) page 11.
Remark : The same requirement applies to thermal detectors without any embedded switching system for motors installed in an hazardous zone 1 or 21. See [Scheme for ATEX installation N° 7](#) page 14 and [Scheme for ATEX installation N° 8](#) page 15.

Schemes of cabling for ATEX applications

Scheme for ATEX installation N° 1

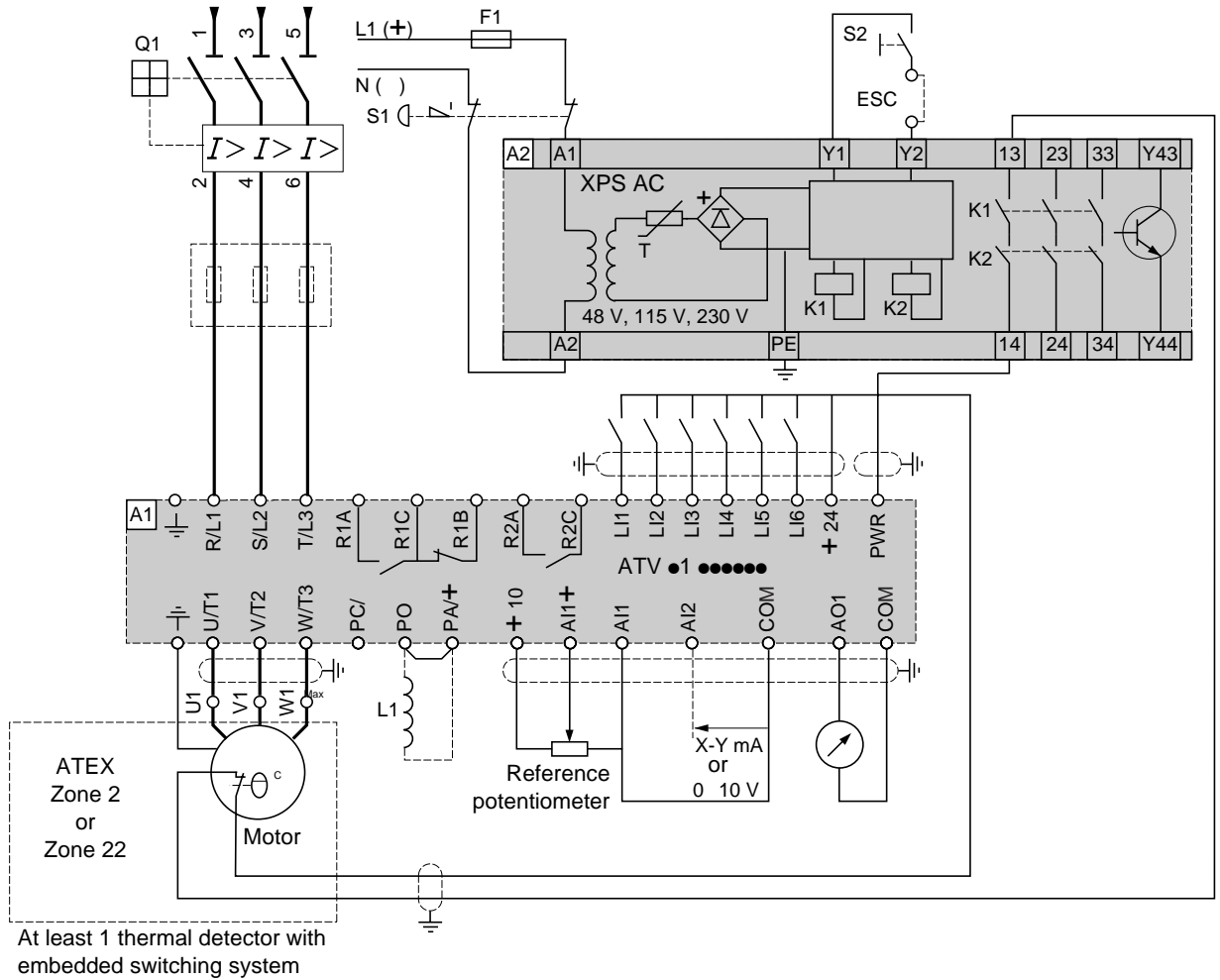
- ATEX motor in Zone 2 or 22.
- PWR input used for protection of the ATEX motor only.
- Thermal protection of the ATEX motor by using of an ATEX thermal detector with embedded switching system.



Schemes of cabling for ATEX applications

Scheme for ATEX installation N° 2

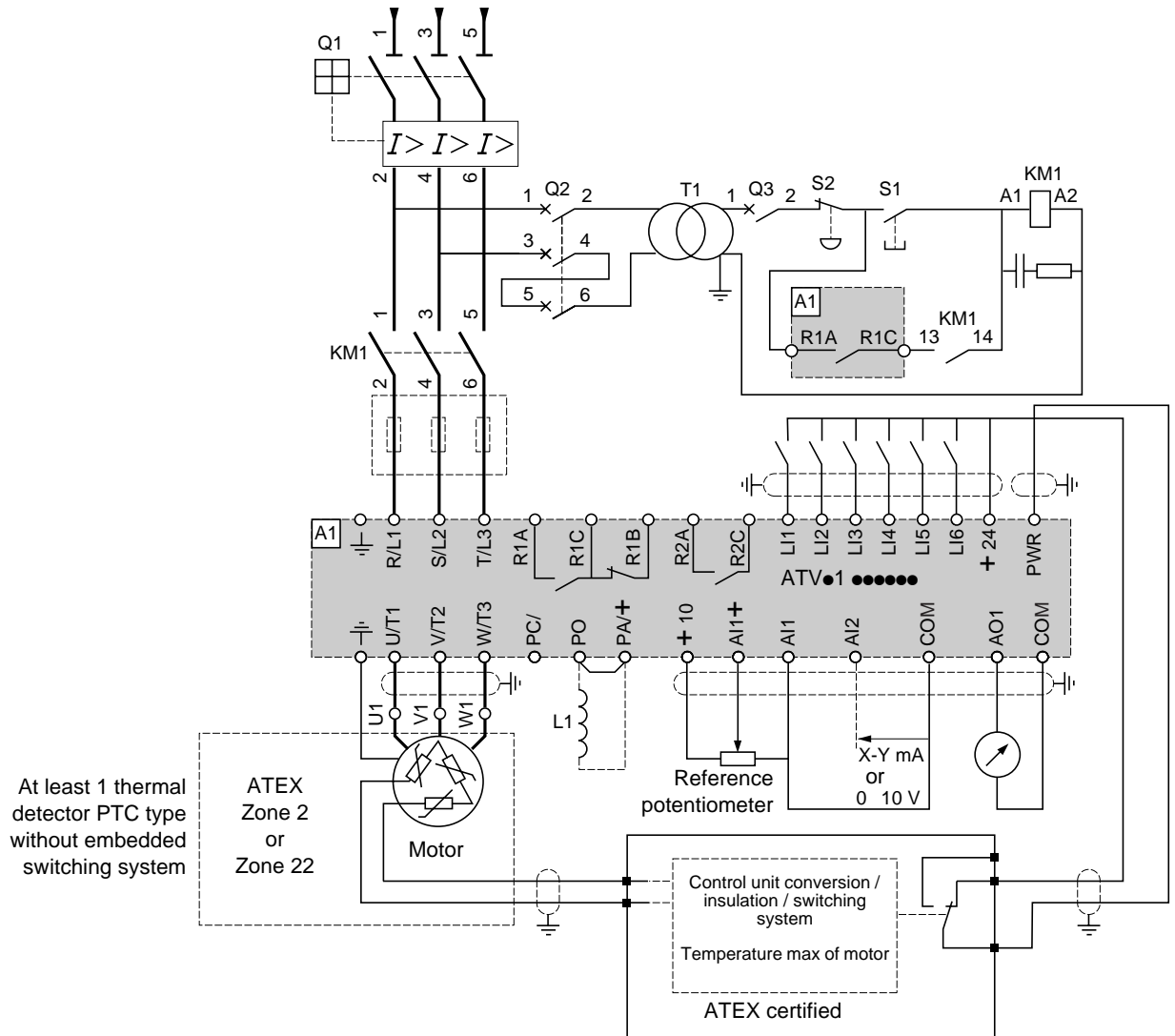
- ATEX motor in Zone 2 or 22.
- PWR input used for protection of the ATEX motor and for the functional safety of Category 3 (EN 954-1) and for SIL 2 (IEC/EN 61508 or IEC/EN 61800-5-2) in stopping category 0 according to IEC/EN 60204-1.
- Thermal protection of the ATEX motor by using of an ATEX thermal detector with embedded switching system.



Schemes of cabling for ATEX applications

Scheme for ATEX installation N° 3

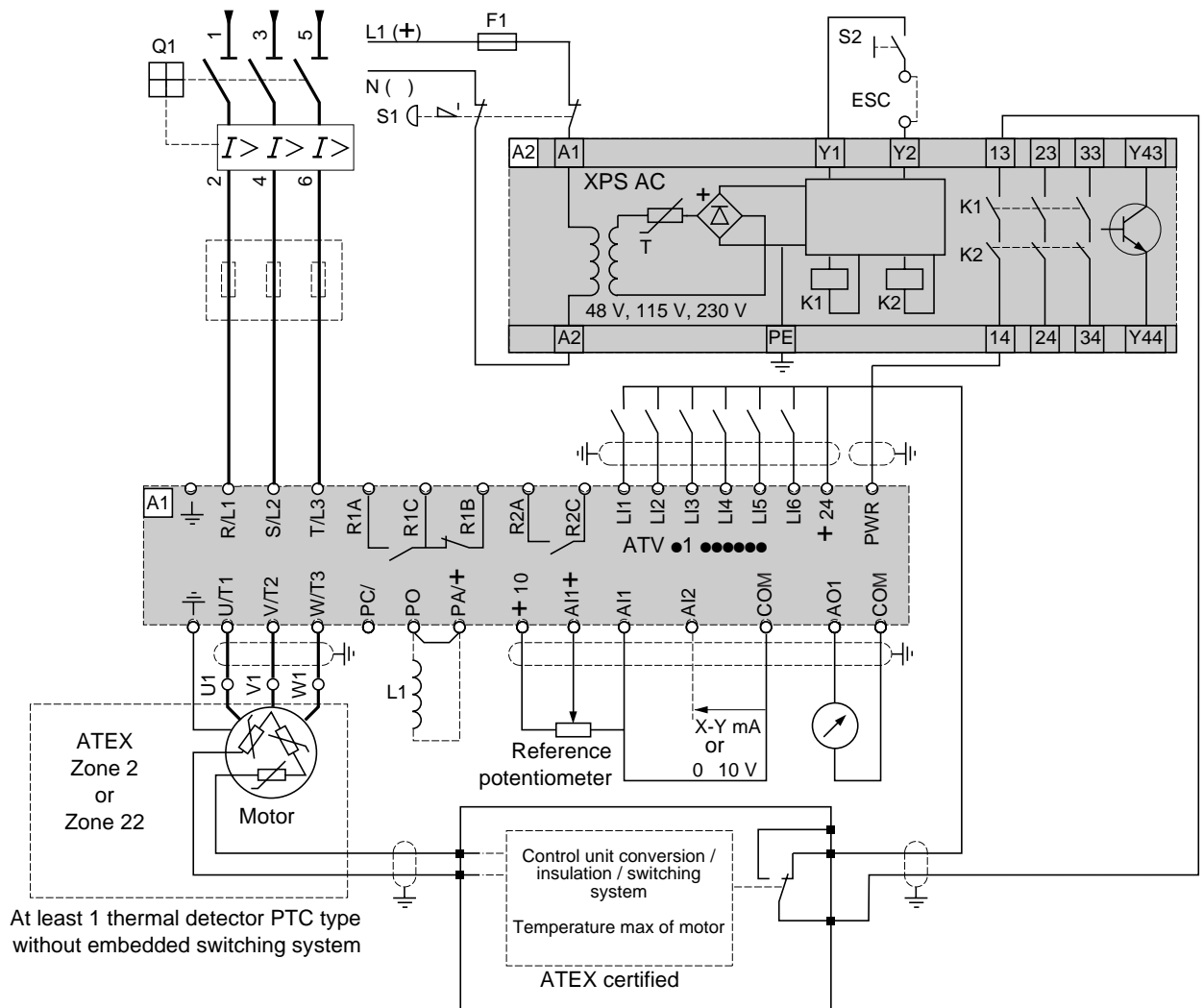
- ATEX motor in Zone 2 or 22.
- PWR input used for protection of the ATEX motor only.
- Thermal protection of the ATEX motor by using of an ATEX thermal detector (PTC type, without embedded switching system), and a control unit for the PTC conversion, including the switching system.



Schemes of cabling for ATEX applications

Scheme for ATEX installation N° 4

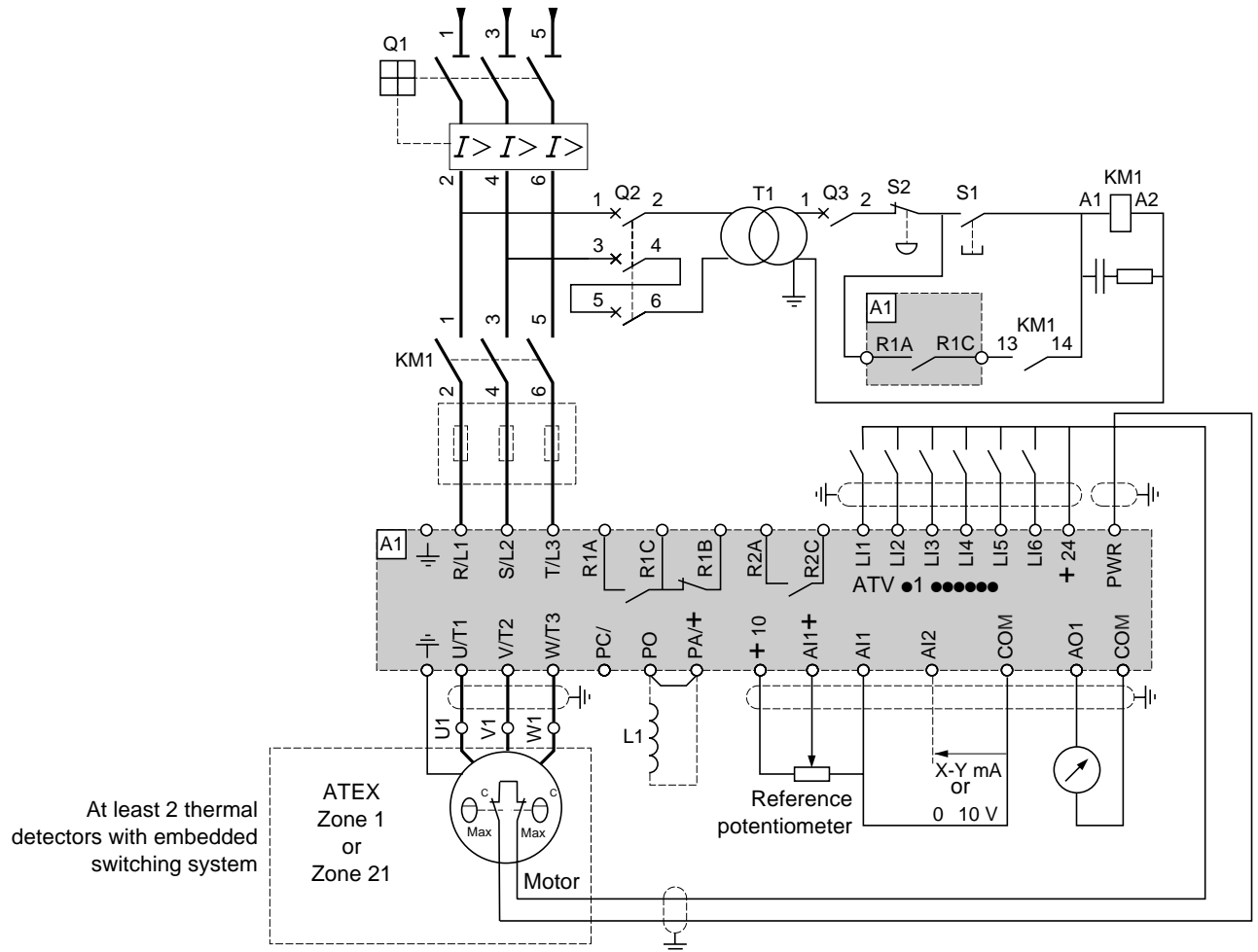
- ATEX motor in Zone 2 or 22.
- PWR input used for protection of the ATEX motor and for the functional safety of Category 3 (EN 954-1) and for SIL 2 (IEC/EN 61508 or IEC/EN 61800-5-2) in stopping category 0 according to IEC/EN 60204-1.
- Thermal protection of the ATEX motor by using of an ATEX thermal detector (PTC type, without embedded switching system), and a control unit for the PTC conversion, including the switching system.



Schemes of cabling for ATEX applications

Scheme for ATEX installation N° 5

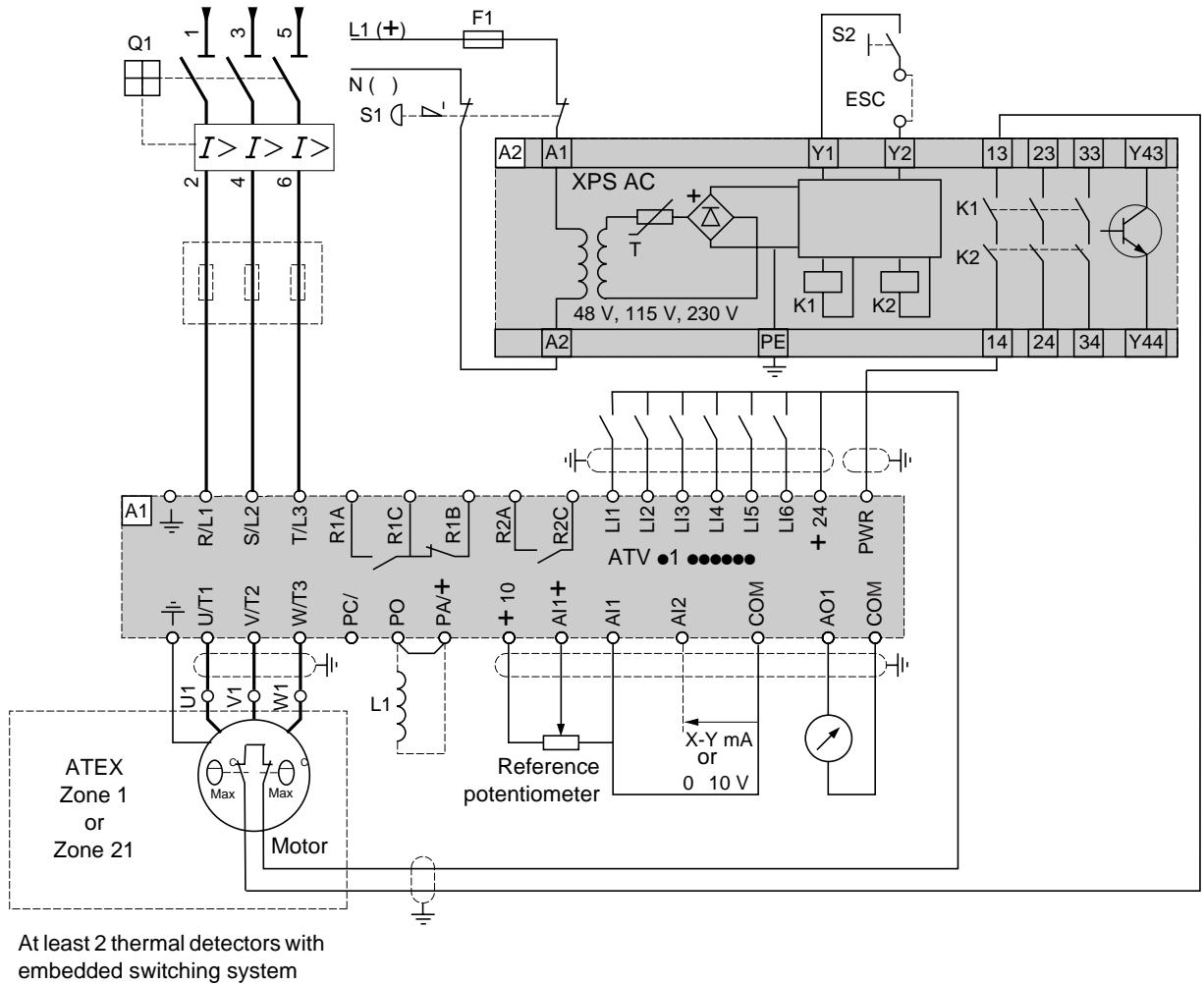
- ATEX motor in Zone 1 or 21.
- PWR input used for protection of the ATEX motor only.
- Thermal protection of the ATEX motor by using of ATEX thermal detectors with embedded switching system.



Schemes of cabling for ATEX applications

Scheme for ATEX installation N° 6

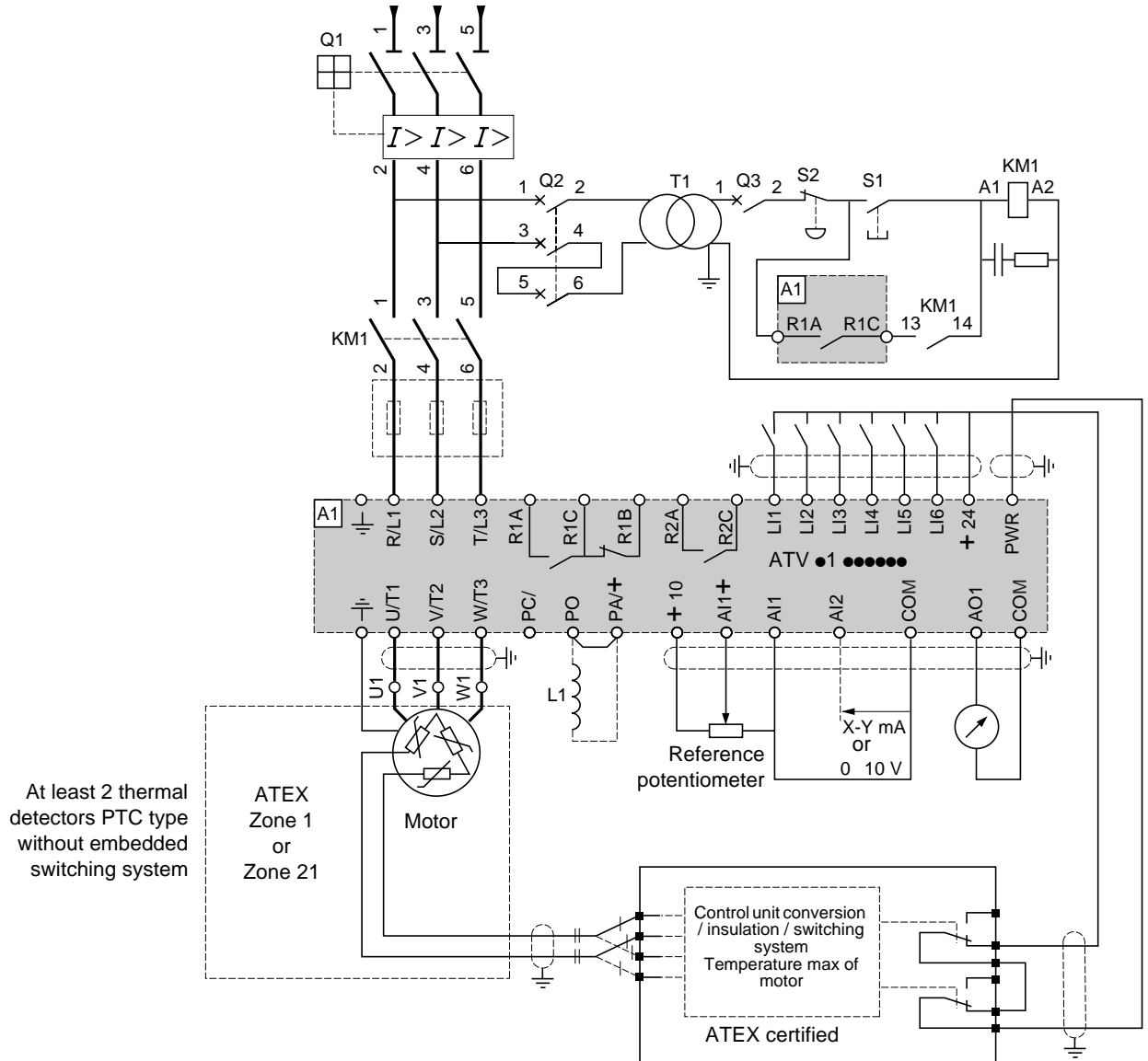
- ATEX motor in Zone 1 or 21.
- PWR input used for protection of the ATEX motor and for the functional safety of Category 3 (EN 954-1) and for SIL 2 (IEC/EN 61508 or IEC/EN 61800-5-2) in stopping category 0 according to IEC/EN 60204-1.
- Thermal protection of the ATEX motor by using of ATEX thermal detectors with embedded switching system.



Schemes of cabling for ATEX applications

Scheme for ATEX installation N° 7

- ATEX motor in Zone 1 or 21.
- PWR input used for protection of the ATEX motor only.
- Thermal protection of the ATEX motor by using of ATEX thermal detectors (PTC type, without embedded switching system), and a control unit for the PTC conversion, including the switching system.



Schemes of cabling for ATEX applications

Scheme for ATEX installation N° 8

- ATEX motor in Zone 1 or 21.
- PWR input used for protection of the ATEX motor and for the functional safety of Category 3 (EN 954-1) and for SIL 2 (IEC/EN 61508 or IEC/EN 61800-5-2) in stopping category 0 according to IEC/EN 60204-1.
- Thermal protection of the ATEX motor by using of ATEX thermal detectors (PTC type, without embedded switching system), and a control unit for the PTC conversion, including the switching system.

