

Altivar 312

Variable speed drives for asynchronous motors

CANopen communication manual

05/2009



Contents

Important Information	4
Before you begin	5
Documentation structure	6
Presentation	7
Hardware setup	8
Signalling	14
Software setup	15
Software setup with PL7 and SyCon	18
Description of the services	27
Object dictionary	41

Important Information

NOTICE

Read these instructions carefully, and look at the equipment to become familiar with the device before trying to install, operate, or maintain it. The following special messages may appear throughout this documentation or on the equipment to warn of potential hazards or to call attention to information that clarifies or simplifies a procedure.



The addition of this symbol to a Danger or Warning safety label indicates that an electrical hazard exists, which will result in personal injury if the instructions are not followed.



This is the safety alert symbol. It is used to alert you to potential personal injury hazards. Obey all safety messages that follow this symbol to avoid possible injury or death.

DANGER

DANGER indicates an imminently hazardous situation, which, if not avoided, **will result** in death or serious injury.

WARNING

WARNING indicates a potentially hazardous situation, which, if not avoided, **can result** in death, serious injury or equipment damage.

CAUTION

CAUTION indicates a potentially hazardous situation, which, if not avoided, **can result** in injury or equipment damage.

CAUTION

CAUTION, used without the safety alert symbol, indicates a potentially hazardous situation which, if not avoided, **can result** in equipment damage.

PLEASE NOTE

The word "drive" as used in this manual refers to the controller portion of the adjustable speed drive as defined by NEC.

Electrical equipment should be installed, operated, serviced, and maintained only by qualified personnel. No responsibility is assumed by Schneider Electric for any consequences arising out of the use of this product.

© 2009 Schneider Electric. All Rights Reserved.

Before you begin

Read and understand these instructions before performing any procedure with this drive.

DANGER

HAZARD OF ELECTRIC SHOCK, EXPLOSION, OR ARC FLASH

- Read and understand this manual before installing or operating the Altivar 312 drive. Installation, adjustment, repair, and maintenance must be performed by qualified personnel.
- The user is responsible for compliance with all international and national electrical code requirements with respect to grounding of all equipment.
- Many parts of this drive, including the printed circuit boards, operate at the line voltage. DO NOT TOUCH. Use only electrically insulated tools.
- DO NOT touch unshielded components or terminal strip screw connections with voltage present.
- DO NOT short across terminals PA/+ and PC/- or across the DC bus capacitors.
- Before servicing the drive:
 - Disconnect all power, including external control power that may be present.
 - Place a "DO NOT TURN ON" label on all power disconnects.
 - Lock all power disconnects in the open position.
 - WAIT 15 MINUTES to allow the DC bus capacitors to discharge.
 - Measure the voltage of the DC bus between the PA/+ and PC/- terminals to ensure that the voltage is less than 42 Vdc.
 - If the DC bus capacitors do not discharge completely, contact your local Schneider Electric representative. Do not repair or operate the drive
- Install and close all covers before applying power or starting and stopping the drive.

Failure to follow these instructions will result in death or serious injury.

DANGER

UNINTENDED EQUIPMENT OPERATION

- Read and understand this manual before installing or operating the Altivar 312 drive.
- Any changes made to the parameter settings must be performed by qualified personnel.

Failure to follow these instructions will result in death or serious injury.

WARNING

DAMAGED DRIVE EQUIPMENT

Do not operate or install any drive or drive accessory that appears damaged.

Failure to follow these instructions can result in death, serious injury, or equipment damage.

WARNING

LOSS OF CONTROL

- The designer of any control scheme must
 - consider the potential failure modes of control paths and, for certain critical control functions,
 - provide a means to achieve a safe state during and after a path failure.

Examples of critical control functions are emergency stop and overtravel stop.

- Separate or redundant control paths must be provided for critical control functions.
- System control paths may include communication links. Consideration must be given to the implications of unanticipated transmission delays or failures of the link.^a

Failure to follow these instructions can result in death, serious injury, or equipment damage.

a. For additional information, refer to NEMA ICS 1.1 (latest edition), "Safety Guidelines for the Application, Installation, and Maintenance of Solid State Control" and to NEMA ICS 7.1 (latest edition), "Safety Standards for Construction and Guide for Selection, Installation and Operation of Adjustable-Speed Drive Systems."

Documentation structure

The following Altivar 312 technical documents are available on the Schneider Electric website (www.schneider-electric.com) as well as on DVD-ROM (reference VW3A8200).

Installation manual

This manual describes how to install and wire the drive.

Programming manual

This manual describes the functions, parameters and use of the drive terminal (integrated display terminal, optional graphic display terminal and optional remote terminal).

The communication functions are not described in this manual, but in the manual for the bus or network used.

Simplified manual

This manual is a simplified version of the User manual. This manual is delivered with the drive.

Quick Start sheet

The Quick Start describes how to wire and configure the drive to start motor quickly and simply for simple applications. This document is delivered with the drive.

Communication manuals: Modbus and CANopen

These manuals describe the assembly, connection to the bus or network, signaling, diagnostics, and configuration of the communication-specific parameters.

They also describe the protocol communication services.

Communication variables guide

This manual defines the drive control processes and the drive variables which can be accessed by the communication buses: Modbus, CANopen, ...

Presentation

The CANopen socket on the Altivar 312 can be used for the following functions:

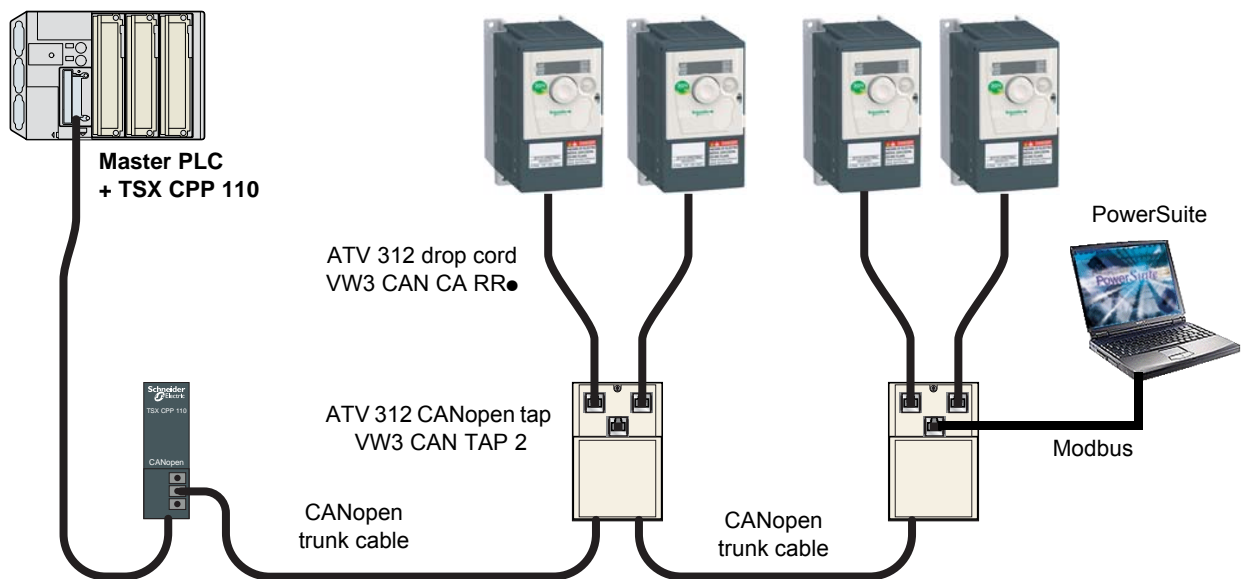
- Configuration
- Settings
- Control
- Monitoring

This guide contains information on installation and describes the CANopen services available. The "communication variables" guide describes the operating modes, as well as the Altivar 312 variables and parameters which can be accessed via the communication bus.

Hardware setup

Legacy CANopen wiring solution for ATV 312

The following diagram shows an example of four ATV 312, connected to a master PLC Premium with a CANopen master PCMCIA card (TSX CPP 110).



Various accessories are available from the catalog to facilitate the connection of these devices.

ATV 312 CANopen tap is a passive tap (reference: VW3 CAN TAP 2) It can be connected on a CANopen trunk cable, using the two 5-screw terminals embedded connectors. Two RJ45 connectors allow the connection of two Altivar 312 by ATV 312 CANopen drop cords. One RJ45 connector is designed to interface these two Altivar 312 with PowerSuite (Commissioning software tool for PC or Pocket PC).

If only one ATV 312 is connected on the tap it should be on the connector labelled "ATV1". If two ATV 312 are connected, PowerSuite can access the two drives in multidrop mode. The Modbus address of each drive must be different.

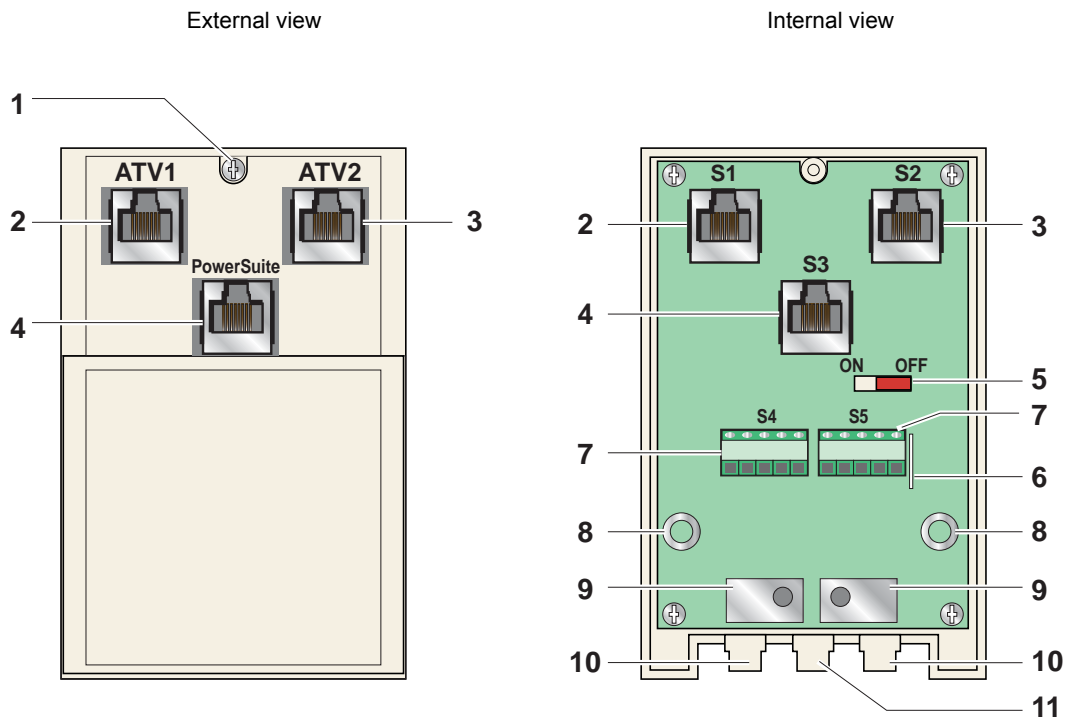
A remote terminal (VW3 A31101) can also be connected to the "PowerSuite" connector, but in this case, only one ATV 312 drive can be connected to the CANopen tap (on the plug labelled "ATV1").

ATV 312 CANopen drop cord is a cable equipped with 2 RJ45 connectors. Two lengths are available: 0.3 m (0.98 ft), reference: VW3 CAN CA RR 03) and 1 m (3.28 ft), reference: VW3 CAN CA RR1.

Note: Only a 0.3 m (11.8 in.) drop cord can be used in a CANopen network at a speed of 1 Mbits/s.

Hardware setup

Description of the ATV 312 CANopen tap (VW3 CAN TAP 2)



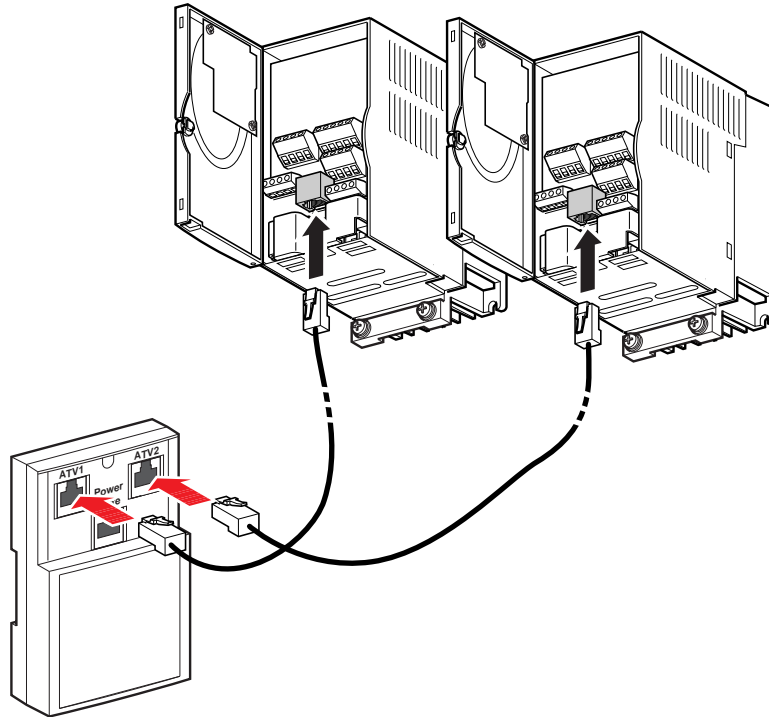
1. Cover screw.
2. "ATV1" female RJ45 connector where the first Altivar 312 drive must be connected.
3. "ATV2" female RJ45 connector where the second, (if any), Altivar 312 drive must be connected. Do not use if a remote terminal is connected to the "PowerSuite" connector.
4. "PowerSuite" female RJ45 connector, where PowerSuite (PC or Pocket PC) or a remote terminal can be connected.
5. Switch used to connect (ON) or disconnect (OFF) the internal line termination (120 Ω).
6. Lug for connecting the green/yellow grounding wire.
7. CANopen terminal blocks, labelled S4 and S5 on the circuit board for wiring of the trunk cable.
8. Holes for \varnothing 4 screws used to mount the tap on a plate or panel, 60 mm (2.36 in.) mounting distance.
9. Ground plate for the trunk cable shield.
10. Openings for the CANopen trunk cable.
11. Opening for the green/yellow grounding wire.

Hardware setup

Connecting the drive to the ATV 312 CANopen tap

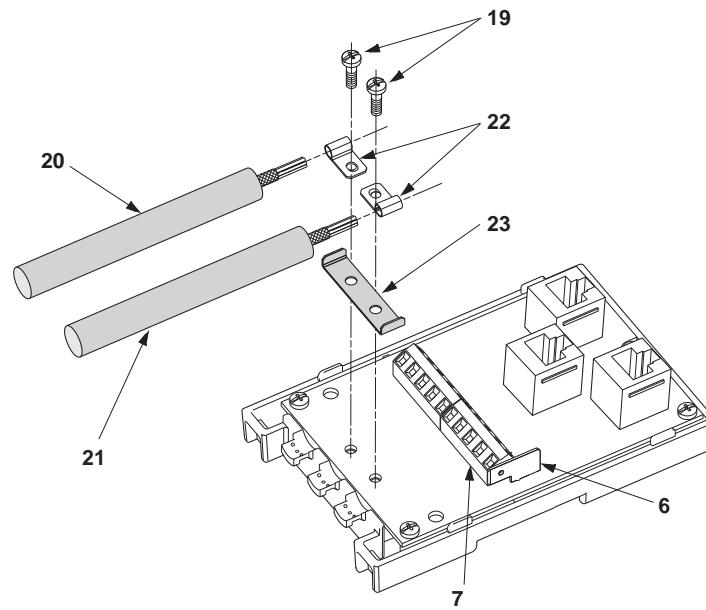
Connect the cord with 2 RJ45 connectors (VW3 CAN CA RR 03 or VW3 CAN CA RR 1) to the RJ45 connector of the drive and to the "ATV1" or "ATV2" female RJ45 connector located on the ATV 312 CANopen tap (VW3 CAN TAP 2).

If only one Altivar 312 is connected to the ATV 312 CANopen tap the "ATV1" connector must be used.



Hardware setup

Setup of the CANopen tap



Tools required:

- 2.5 mm flat screwdriver.

Procedure:

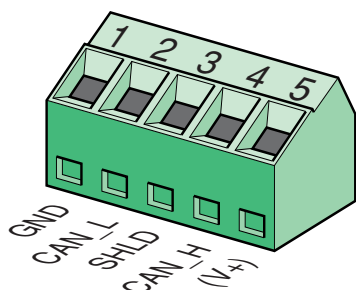
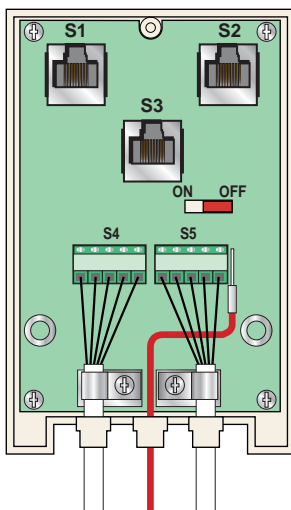
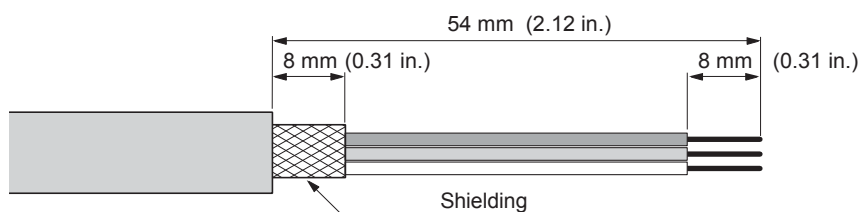
Note: the numbers shown below correspond to the numbers in the tap description.

- Unscrew screw [1](#) page [9](#). Open cover.
- Attach the tap base to its support:
 - either to an AM1-DP200 or AM1-DE 200 DIN rail,
 - or to a plate,
 - or panel using 2 M4 screws at least 20 mm (0.8 in.) long.
- Prepare trunk cables **20** and **21**, as shown on the following pages.
- Position grounding clamps **22** on the cables.
- Position ground connection **23**.
- Connect the trunk cables to terminal blocks **7**, as shown on the following pages. Use a 2.5 mm flat screwdriver. Thread torque on terminal block screw $\leq 0.25 \text{ N}\cdot\text{m}$ (2.21 lb.in).
- Screw down the grounding clamps and connections using screws **19**.
- Connect the green/yellow grounding wire to the connection lug **6**.
- Immobilise the cables using nylon clamps.
- Position micro-switch to ON if line termination is required.
- Break the tabs on the cover so that the cables can pass through.
- Replace cover and fasten it in place with screw [1](#) page [9](#).

Hardware setup

Connecting the trunk cable

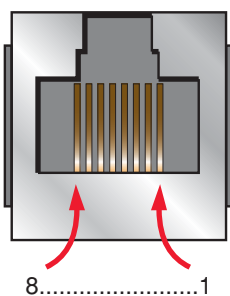
Cable preparation guide



Pin	Signal	Wire colour	Description
1	GND	Black	Ground
2	CAN_L	Blue	CAN_L bus line
3	SHLD	(bare cablesshield)	Optional shield
4	CAN_H	White	CAN_H bus line
5	(V+)	Red	Optional supply (1)

(1) If the CANopen cables have a fourth (red) wire, it should be connected to pin 5 in order to relay the V+ optional signal to the other CANopen stations.

Pin out of the RJ45 connectors



ATV1		ATV2		PowerSuite	
Pin	Signal	Pin	Signal	Pin	Signal
1	CAN_H	1	CAN_H	1	Not connected
2	CAN_L	2	CAN_L	2	Not connected
3	CAN_GND	3	CAN_GND	3	Not connected
4	D1 (2)	4	D1 (2)	4	D1 (2)
5	D0 (2)	5	D0 (2)	5	D0 (2)
6	Not connected	6	Not connected	6	Not connected
7	VP (3)	7	Not connected	7	VP (3)
8	Common (2)	8	Common (2)	8	Common (2)

(2) Modbus signals

(3) Supply for RS232 / RS485 converter or a remote terminal

Configuration

Configuration of the CANopen communication functions of the Altivar 312 can be accessed from the [\[COMMUNICATION\] \(COM-\)](#) menu.

Note: The configuration can only be modified when the motor is stopped and the drive is locked. Any change will only be applied after a power cycle of the drive (power off then power on).

Parameter	Possible values	Terminal display	Default value
CANopen Address <i>AdC0</i>	0 to 127	<i>0 to 127</i>	0
CANopen Speed <i>bCd0</i>	10 kbits/s	<i>10.0</i>	125 kbits/s
	20 kbits/s	<i>20.0</i>	
	50 kbits/s	<i>50.0</i>	
	125 kbits/s	<i>125.0</i>	
	250 kbits/s	<i>250.0</i>	
	500 kbits/s	<i>500.0</i>	
	1,000 kbits/s	<i>1000</i>	

The AdC0 parameter will thereafter be referred to as "Node-ID" in the present User's Manual.

The default value (0) of this parameter disables the CANopen communications of the Altivar.

In order to enable CANopen on the Altivar 312, you must set a non-zero value for *AdC0*. The value of the *bCd0* parameter must match the communication speed of all the other devices connected to the CANopen bus. In addition, the maximum length of the bus depends on the communication speed.

The following table specifies the maximum bus length when an Altivar 312 is placed on a CANopen bus, depending on the actual communication speed:

Communication speed	10 kbits/s	20 kbits/s	50 kbits/s	125 kbits/s	250 kbits/s	500 kbits/s	1,000 kbits/s
Maximum length of the bus	5,000 m (16,404 ft)	2,500 m (8,202 ft)	1,000 m (3,280 ft)	500 m (1,640 ft)	250 m (820 ft)	100 m (328 ft)	5 m (16.4 ft)

Note: At the speed of 1,000 kbits/s, the length of the drops must be limited to 0.3 m (11.8 in.).

Signalling



The two signalling LEDs located immediately on the right of the 4-digit 7-segment front display unit of the Altivar 312 are used to indicate the status of the CANopen communications.

LED state	Altivar 312 / CANopen state
	The CANopen controller is in "OFF" state
RUN	The Altivar 312 is in "STOPPED" state
	The Altivar 312 is in "PRE-OPERATIONAL" state
	The Altivar 312 is in "OPERATIONAL" state
ERROR	No error reported
	Warning reported by the CANopen controller of the Altivar 312 (e.g. too many error frames)
	Error due to the occurrence of a node-guarding event or a heartbeat event
	The CANopen controller is in "bus-off" state

Description of the various LED states

LED state	Visual description of the LED state
	The LED is OFF
	The LED is SINGLE FLASHING (200 ms ON and 1 second OFF)
	The LED is DOUBLE FLASHING (200 ms ON, 200 ms OFF, 200 ms ON, and 1 second OFF)
	The LED is BLINKING at 2.5 Hz (200 ms ON and 200 ms OFF)
	The LED is ON

Software setup

Profiles

Communication profile

The communication profile of Altivar 312 is based on:

- CAN 2.A
- The CANopen specification (DS301 V4.02).

Simplified structure of the telegram:

Identifier (11 bits) COB-ID

For more information, log on the Can In Automation Web site: <http://www.can-cia.de>.

Identifier (11 bits)	a	User data (maximum length of 8 bytes)							
COB-ID		Byte 0	Byte 1	Byte 2	Byte 3	Byte 4	Byte 5	Byte 6	Byte 7

Functional profile

The functional profile of the Altivar 312 complies with:

- "Device profile for drives and motion control" (DSP-402 V2.0, Velocity Mode)
- Drivecom profile (21).

Drivecom and CANopen DSP402 are compatible.

Software setup

Available services

PDO (Process Data Objects)

PDO telegrams are used to exchange real-time data related to the process.

PLCs refresh their inputs and outputs cyclically through PDOs (periodic variables).

The Altivar 312 features two sets of predefined PDOs:

- The first set of PDOs (PDO 1 mandatory for all modes) includes:
 - one received PDO, used to control (Control word "CMDD") the drive;
 - one transmitted PDO, used to monitor (Status word "ETAD") the drive.

PDO 1 are asynchronous and the transmitted PDO is only sent when the value of its data changes.

- The second set of PDOs (PDO 6 for velocity mode) includes:
 - one received PDO, used to control the drive (Control word "CMDD" and Velocity reference "LFRD"); in addition, it can be configured to include two additional variables; Control word "CMDD" and Velocity reference "LFRD" can also be replaced with any two other variables with write access rights;
 - one transmitted PDO, used to monitor the drive (Status word "ETAD" and Velocity actual value "RFRD"); in addition, it can be configured to include two additional variables; Status word "ETAD" and Velocity actual value "RFRD" can also be replaced with any two other variables.

The communication mode of PDO 6 can be set by the user, depending on their needs: asynchronous (as for PDO 1) or cyclic, based on the reception of a synchronisation object (SYNC). A third mode is also possible, acyclic synchronous, in which the transmitted PDO is sent whenever the value of its data changes, but only during the synchronous "window" allowed by the SYNC object.

In asynchronous mode "Inhibit time" and "Event timer" can be modified.

SDO (Service Data Objects)

SDO telegrams are used for configuration and setup. PLCs utilize acyclic messaging through SDOs.

The Altivar 312 manages one SDO, characterised by two COB-IDs:

- one for the requests (telegrams issued by the PLC and intended to the Altivar 312);
- one for the answers (telegrams sent back to the PLC by the Altivar 312)

The Altivar 312 supports segment transfer.

Other services

- Default assignment of identifiers (COB-IDs), based on address;
- NMT service: Start_Remote_Node (16#01), Stop_Remote_Node (16#02), Enter_Pre_Operational (16#80), Reset_Node (16#81), Reset_Communication (16#82);
- Acceptance of broadcast on COB-ID 0;
- Heartbeat object;
- Node guarding object;
- Emergency object (EMCY);
- SYNC service, for the second set of PDOs (PDO 6).

Service not available

- Time stamp object (TIME)

Address on the bus (Node-ID)

Node-ID = address of the drive on the CANopen bus.

"Client" designates an entity that transmits a telegram destined to the variable speed drive (example: PLC).

Software setup

Description of the supported identifiers (COB-IDs)

Identifiers will be referred to, by their COB-ID (etc) in the removing sections of this user's manual.

Direction			COB-ID		Description
Client	⇒	Drive	0 (16#000)		Network Management service (NMT)
Client	⇒	Drive	128 (16#080)		SYNChronisation service (SYNC)
Client	⇒	Drive	128 16#080	+ Node-ID	EMergenCY service (EMCY)
Client	⇐	Drive	384 16#180	+ Node-ID	Drive monitoring (transmitted PDO of PDO 1)
Client	⇒	Drive	512 16#200	+ Node-ID	Drive control (received PDO of PDO 1)
Client	⇐	Drive	640 16#280	+ Node-ID	Drive and motor monitoring (transmitted PDO of PDO 6)
Client	⇒	Drive	768 16#300	+ Node-ID	Drive and motor control (received PDO of PDO 6)
Client	⇐	Drive	1408 16#580	+ Node-ID	Answer to drive adjustment (transmitted SDO)
Client	⇒	Drive	1536 16#600	+ Node-ID	Request of drive adjustment (receive SDO)
Client	⇒	Drive	1792 16#700	+ Node-ID	Network management (NMT, Node Guard, Heartbeat)
Client	⇐	Drive			Network management (Bootup protocol)

The Altivar 312 supports the automatic assignment of COB-IDs, calculated using its CANopen address (only for PDOs of PDO1).

Software setup with PL7 and SyCon

Requirements and CANopen architecture

The following chapters describe the steps in PL7 PRO (version PL7 pro 4.5 Sycon 2.9) and SyCon (version V3.0) which you will need to go through so that the Altivar 312 is correctly recognised by the CANopen master PLC. The software versions used here are: PL7 PRO V4.3 and SyCon V2.8.

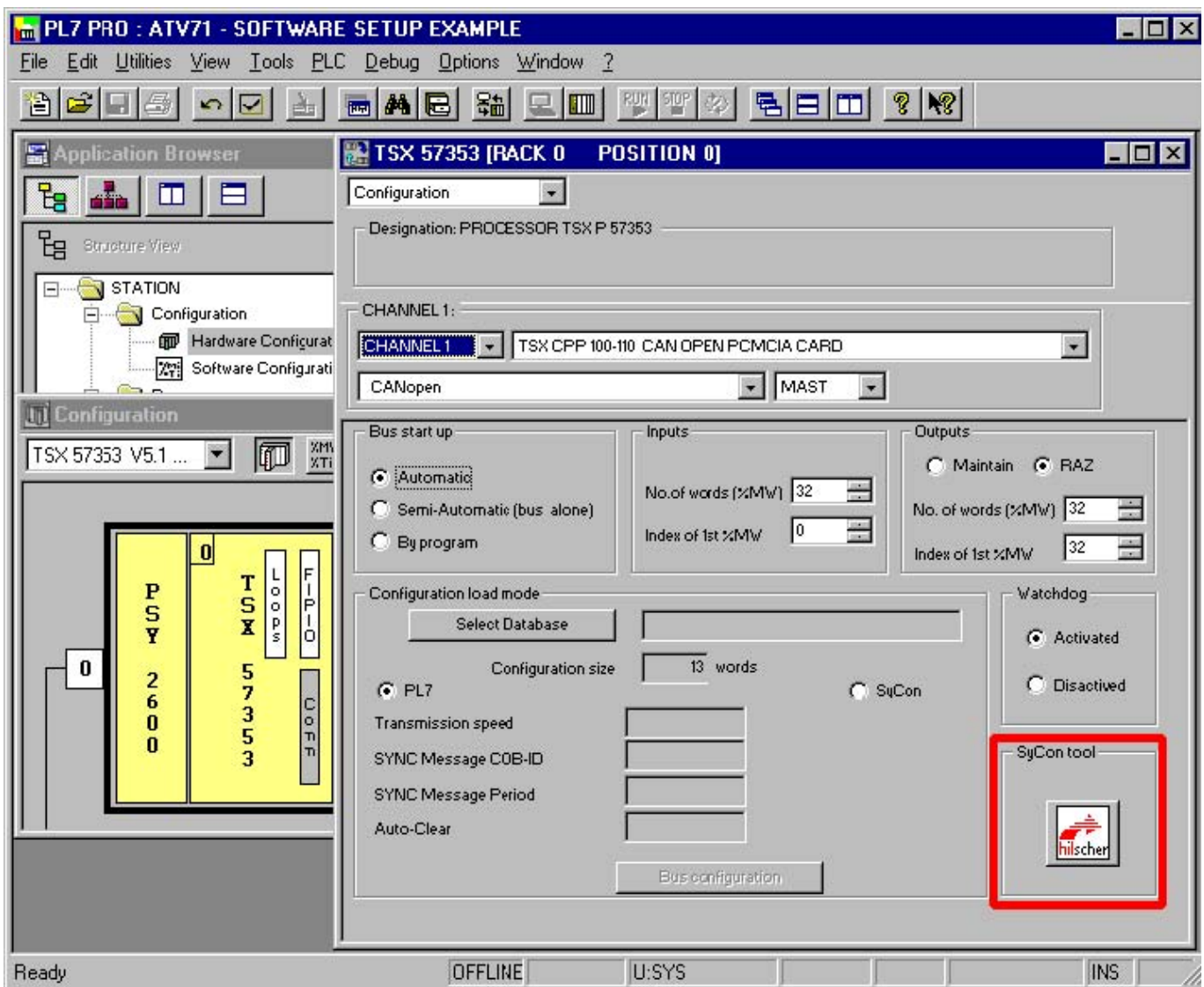
The CANopen bus which is described in the following chapters only includes one CANopen master (TSX 57353 V5.1 Premium PLC + TSX CPP 110 CANopen master PCMCIA card) and one slave (Altivar 312). So you will need to adapt the addressing of the inputs and outputs shown below (%IW and %QW) according to any other slaves on the CANopen bus which you need to configure.

Setting up the hardware configuration under PL7 PRO

Under PL7 PRO, create a new application or open an application for which you want to add a CANopen bus.

Edit the hardware configuration of this application, add a "TSX CPP 110 CANopen PCMCIA card" in the "Channel 1" of the "Comm" slot of the TSX 57353.

Note: TSX CPP 100 and TSX CPP 110 cards are configured in exactly the same way in PL7 PRO.

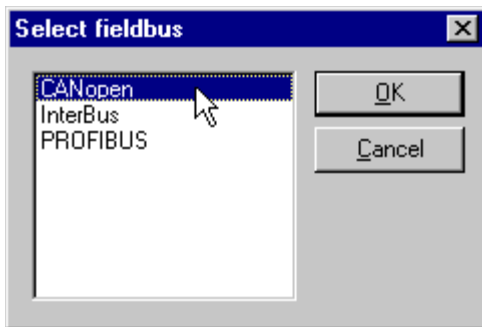


Click on the "hilscher" button (enclosed in a red box above) to start the **SyCon** configuration tool.

N.B. This button is not displayed if you have not installed **SyCon** on your PC.

Software setup with PL7 and SyCon

Creating a CANopen network under SyCon

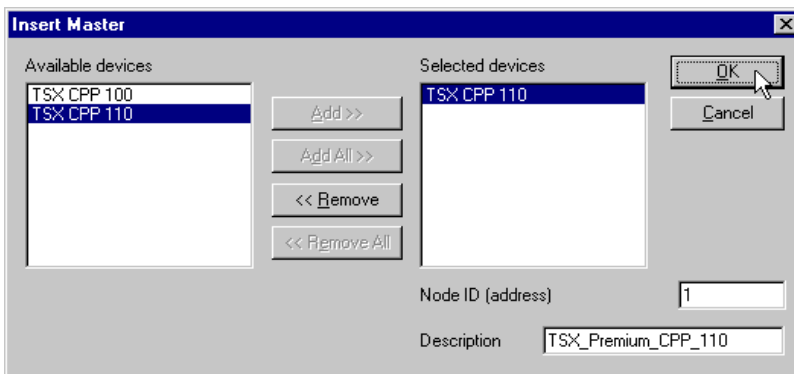



Select the “New” command from the “File” menu to create a new configuration, and select the “CANopen” fieldbus type.

This command creates an empty network segment in the **SyCon** main window.

In the present *User's manual*, we shall immediately save this configuration and name it “ATV312 - Software Setup Example.co”.

Selecting and adding the CANopen master PLC

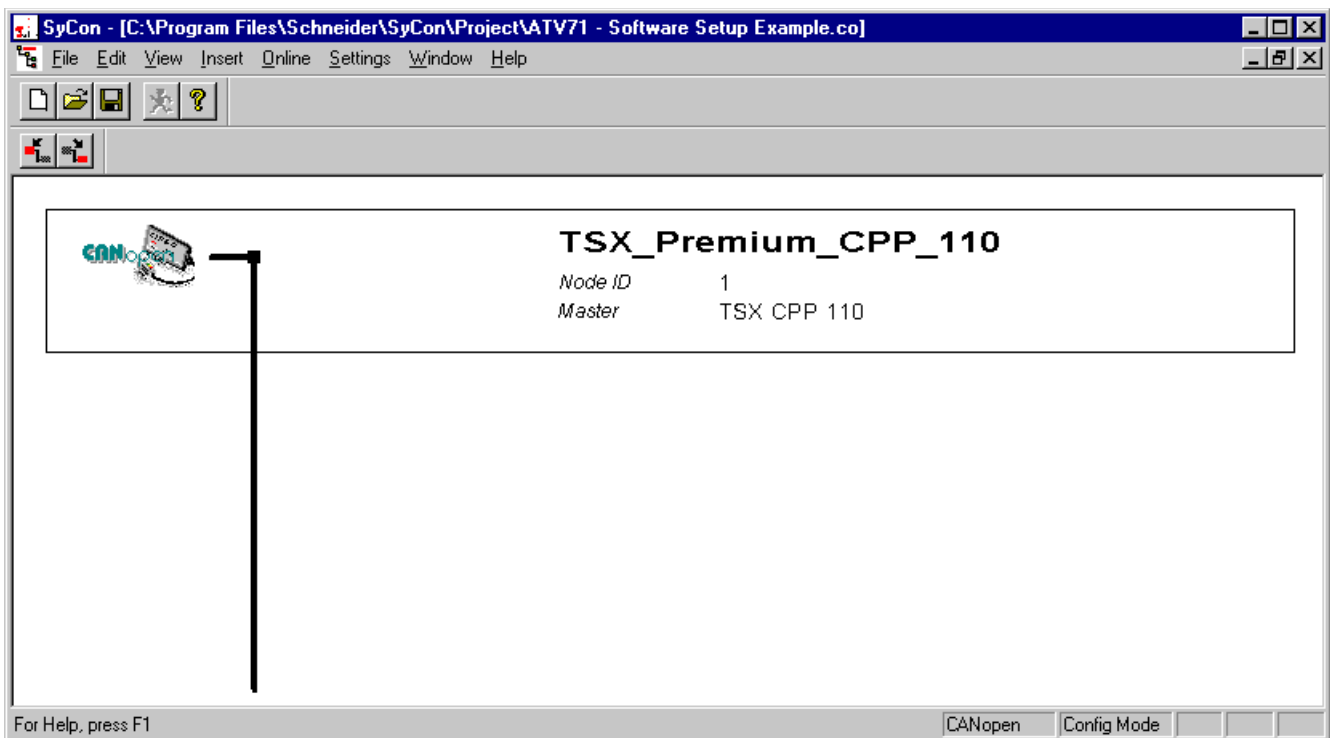


Select the “Master...” command from the “Insert” menu (or click on the  button).

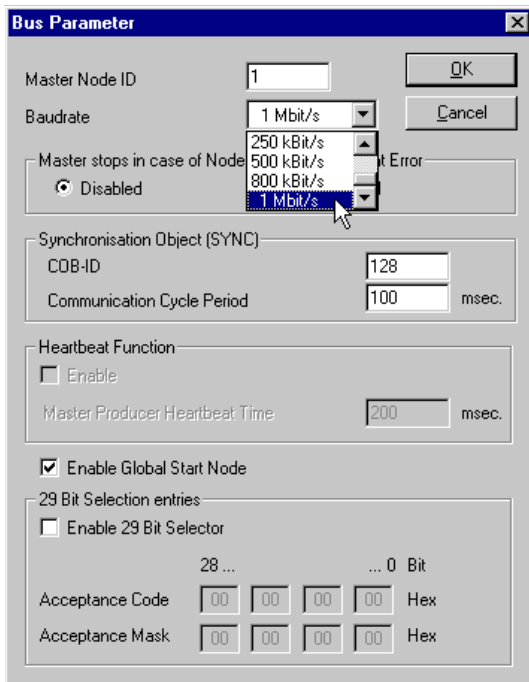
The “Insert Master” window will then appear. Select the “TSX CPP 110” (or “TSX CPP 100”) master device, then click on “Add >>.”

You can edit the Node-ID and the Description of this master in this same window.

Click on “OK” to return to the **SyCon** main window.
The master we selected appears in first position:



Software setup with PL7 and SyCon



Select the CANopen master and run the “Bus Parameter...” command from the “Settings” menu in order to configure the CANopen network baud rate.

The other settings featured by the “Bus Parameter” window will not be discussed here. Please refer to the online help or documentation of **SyCon** if you need more information on Bus Parameter features.

N.B. Should you use the PDO 6 of the Altivar 312 and configure it in “synchronous” mode (cyclic or acyclic), you should also consider adjusting the “Communication Cycle Period”, which default value is equal to 100 ms, as shown in the adjacent window.

Adding the Altivar 312 EDS files to the CANopen devices managed by SyCon

The EDS file that describes the Altivar 312 must be imported under **SyCon** so that it includes it in its devices database. This file is called “TEATV31_01xyyE.eds”.

- x: major revision,
- y: minor revision,
- E: English.

To import that file under **SyCon**, run the “Copy EDS” command from the “File” menu and select the EDS file aforementioned. You will then be prompted to choose whether or not to “import the corresponding bitmap files.” Click on “Yes” to add the three Altivar 312 status icons to the bitmap database of **SyCon**; these icons are displayed hereafter.

If the command completes successfully, a message window will inform you that 1 EDS file and 3 bitmap files were imported.



ATV312_s.dib



ATV312_r.dib

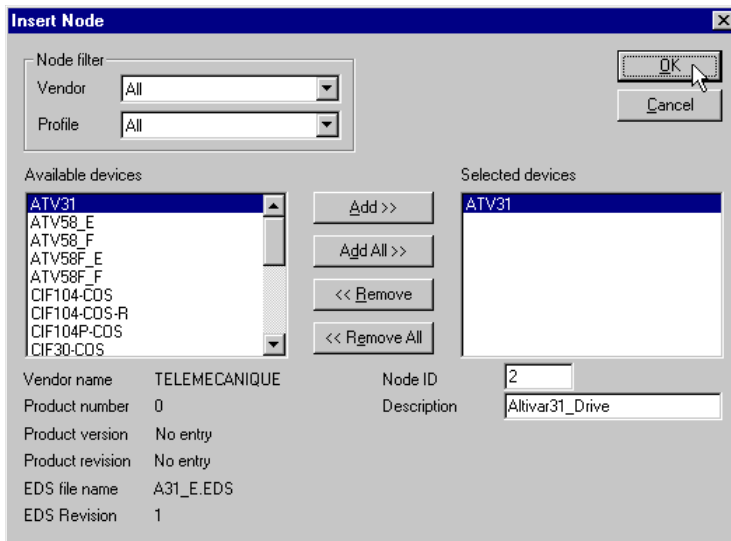



ATV312_d.dib


The eds files and icon files are available in PowerSuite CD ROM or on the Schneider Electric website (www.schneider-electric.com).

Software setup with PL7 and SyCon

Selecting and adding the Altivar 312 to the CANopen fieldbus (ATV31 in the example below)



Run the “Node...” command from the “Insert” menu (or click on the  button).

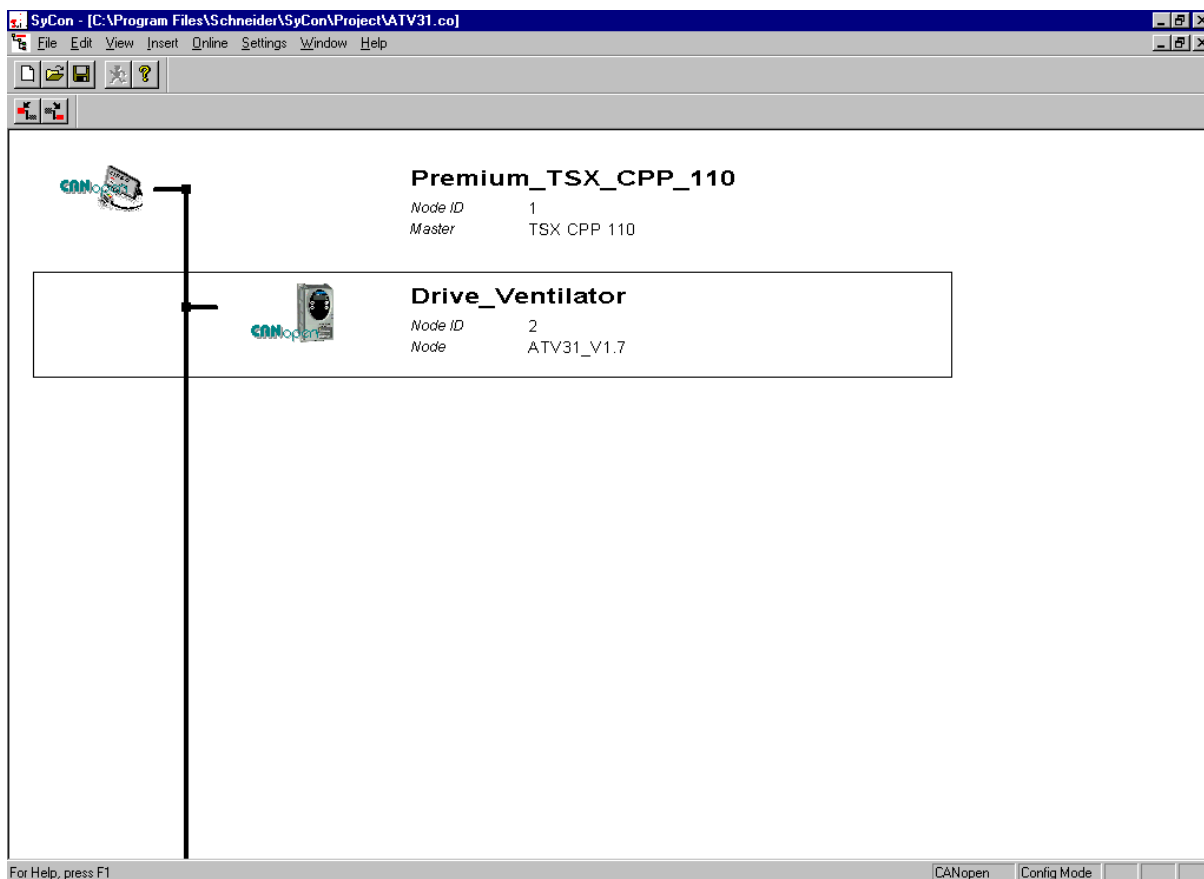
Move the mouse pointer (which now looks like a ) to the position where you want to add the Altivar 312, then left-click.

In the “Insert Node” window that appears, select the “ATV312” device, then click the “Add >>” button.

You can edit the Node-ID and the Description of this node in this same window.

Click on “OK” to return to the SyCon main window.

The node device we selected appears at the selected position:

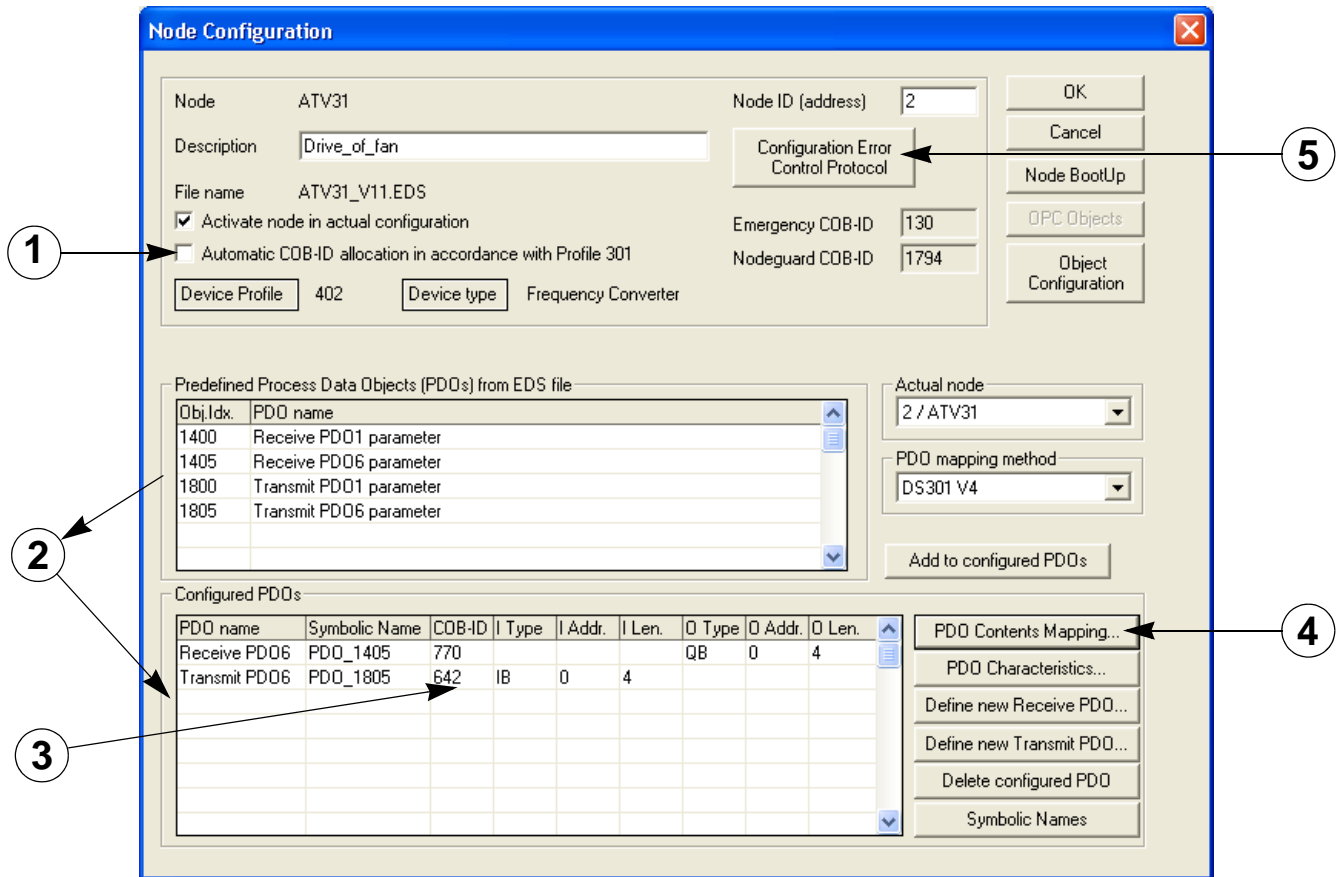


Software setup with PL7 and SyCon

Editing and Configuring the Altivar 312 (ATV31 in the example below)

Double-click on the line that corresponds to the Altivar 312. The "Node Configuration" window appears.

The "Node Configuration" window displayed below illustrates the few operations that have been done in order to configure both Received and Transmitted PDO 6:



These operations are summarised here:

- 1. Disable the "Automatic COB-ID allocation in accordance with Profile 301" option** by unchecking the associated checkbox; please note that this is only useful (and mandatory in this case!) if you intend to use one or both of the PDO 6 parameters.
If you don't plan to use any of the two PDO 6 parameters, leave this box checked!
- 2. Add PDOs to Configured PDOs:** For each PDO that you wish to add to the "Configured PDOs" section, select it in the "Predefined Process Data Objects (PDOs) from EDS file" section, then click on the "Add to configured PDOs" button, or double-click on the PDO entry.
Before adding the PDO to the "Configured PDOs" section, **SyCon** will first display a window allowing you to configure the transmission mode of this PDO.
For both PDO 1, you **MUST NOT** change the setting of their transmission mode: "asynchronous" (255)!
For PDO 6, you can configure a "Resulting CANopen specific transmission type" of 0 (first option), 1 to 240 (second option) or 255 (fourth and last option), which correspond, respectively, to "acyclic synchronous", "cyclic synchronous" and "asynchronous" transmission modes.
As explained in chapter "Important notes regarding the SDO service", page 36, you may mix PDO 1 and PDO 6 parameters. Please refer to this chapter if you wish to do so.
Any given PDO can only be added once to the "Configured PDOs" section: no duplicate is allowed!
- 3. Manually set the COB-ID of any PDO 6 parameter you selected.**
The COB-ID of "Transmit PDO 6" is always equal to 16#280 (640) + Node-ID and the COB-ID of "Receive PDO 6" is always equal to 16#300 (768) + Node-ID.
If you configure one or both PDO 1 parameters, please note that the default values of their COB-IDs are correct and should not be modified!
- 4. The mapping of each PDO 6 parameter can be modified.**
By clicking on the "PDO Contents Mapping..." button, the contents of the currently selected configured PDO are displayed in a specific window, where the objects already mapped can be deleted, and available objects can be appended to them, *up to a limit of 4 objects per PDO.*
This feature must not be used with any PDO 1 parameter because their mapping is static!

Software setup with PL7 and SyCon

5. Configure the Error Control Protocol of the Altivar 312.

By clicking on the “Configuration Error Control Protocol” button, you will be allowed to choose which control protocol to apply to the Altivar 312: “Node Guarding Protocol” or “Heartbeat Protocol.”

- **Node Guarding Protocol:** If this protocol is selected, the two parameters “Guard Time” and “Life Time Factor” are used to generate a “Life Time” duration. Please refer to chapter Node guarding protocol, page 38, for more details on this topic. e.g. in our example, we configure a “Guard Time” of 500 ms and a “Life Time Factor” of 4, thus configuring a “Life Time” of $4 \times 500 \text{ ms} = 2 \text{ seconds}$.
- **Heartbeat Protocol:** If this protocol is selected, the *master's* parameter “Master Guarding Time of Node” (16#1016: 16#xx) must be greater than the *node's* parameter “Node Heartbeat Producer Time” (16#1017: 16#00). If the “Master Guarding Time of Node” is set to 0 for the currently configured node, the master will not check the fieldbus activity of this node.

N.B. If you wish to use the Heartbeat Protocol with your CANopen master, you should first enable its “Heartbeat Function” in the “Bus Parameter” window (see chapter Creating a CANopen network under SyCon, page 19). Of course, the CANopen master must support this protocol, which is the case of the CANopen master used here (TSX CPP 110). The TSX CPP 100 CANopen master PCMCIA card is an example of CANopen master that does not support this protocol.

In addition, the “Node Heartbeat Consumer List” section allows you to configure the Altivar 312 to check another station (made distinct by its Node-ID) on the bus. Each station is named and its “Producer Time (msec.)” is recalled for convenience. By checking a box in the “Active” column, the corresponding “Node-ID” will be periodically checked by the Altivar 312; in this case, the corresponding “ConsumerTime (msec.)” must be greater than the “Producer Time (msec.)”.

Saving and opening the CANopen fieldbus configuration under PL7 PRO

Save the CANopen configuration and give it a name (“Save” or “Save As...” command from the “File” menu). This configuration is saved in a “.co” file.

In the window of **PL7 PRO** displayed in chapter "Setting up the hardware configuration under PL7 PRO", page 18, click on the “Select Database” button and select the previously saved file (e.g. “C:\Program Files\Schneider\SyCon\Project\ATV312 - Software Setup Example.co”). Once you have validated your choice, the “Configuration Loading Mode” section will be updated.

Note Sycon V2.8 does not disable automatically PDO1, it must be done by the application program PL7.

If you wish to disable the transmitted PDO and/or the received PDO of PDO 1, you must do so in the PL7 application, using the SDO service in order to set the 31 of the “COB-ID used by PDO” of the corresponding “Receive/Transmit PDO1 parameter” object (see below). This will mark the PDO as being “not valid.”

However, you must not modify the other 31 bits of the COB-ID!

Index	Sub-index	Description	Enabled PDO	Disabled PDO
16#1400	16#01	COB-ID of the received PDO 1	16#00000200 + Node-ID	16#80000200 + Node-ID
16#1800	16#01	COB-ID of the transmitted PDO 1	16#00000180 + Node-ID	16#80000180 + Node-ID

You will need to do this, for example, if you only use the two PDOs of PDO 6, as you will then have to disable the two PDOs of PDO 1.

Example: The following PL7 sample disables the received PDO 1 of the Altivar 312 located at address 4:

```
%MD1000:=16#80000184;(* Data to Send = Inhibition of the PDO *)
%MW500:=16#1400;(* Logical Address - Index in %MD500 LSB *)
%MW501:=16#0001;(* Logical Address - Sub-Index in %MD500 MSB *)
%MW22:=50;(* Timeout = 50 x 10 ms = 500 ms *)
%MW23:=4;(* Data length = 4 bytes *)
(* SENDS the SDO WRITE command *)
WRITE_VAR(ADR#0.1.SYS,'SDO',%MD500,4,%MW1000:2,%MW20:4);
```

Software setup with PL7 and SyCon

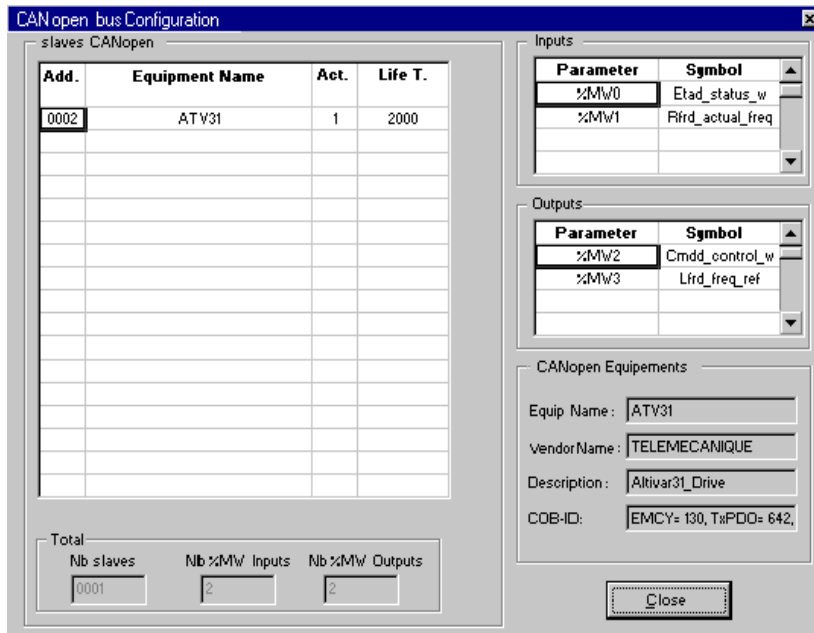
You may also configure various options available on the CANopen master:

Option	Default Value	Possible Values
(Task)	MAST	MAST or FAST
Used to select the type of system task that will steer the CANopen network. N.B. The PL7 PRO software application is also subdivided into a “Mast Task” and a “Fast Task.”		
Bus bootup	Automatic	Automatic, semi-auto. or by program
Fieldbus behaviour when the CANopen master starts up.		
Inputs	%MW0 to %MW31	(Number of %MW) + (First %MW)
Number of %MW words and index of the first %MW word of the master PLC on which the input data from the TSX CPP 110 CANopen master PCMCIA card will be mapped. Please consult the documentation of your CANopen master and that of your master PLC in order to determine the maximum number of words that may be allocated to input words. Allocating more words than what is needed is useless. On the other hand, allocating the lowest possible size is not recommended, as the fieldbus configuration may be subject to changes, depending on the future needs of your application. The Altivar 312 may require up to 10 bytes (5 words) of input data, but this input size can only be reached by combining the “Transmit PDO” of both PDOs: 2 bytes for PDO 1 and up to 8 bytes for PDO 6 (with a default size of 4 bytes). e.g. In our example, we reduce the number of %MW input words to 2 because the only CANopen inputs are those of the default mapping of the “Transmit PDO 6” (“I Len.” of 4 IB, as indicated under SyCon). The first input word remains %MW0. Thus, our CANopen input words are %MW0 and %MW1.		
Outputs	%MW32 to %MW63	(Number of %MW) + (First %MW)
The description of the “Inputs” given above holds true here, but is related to the output words of the master PLC and to the output data of the TSX CPP 110 CANopen master PCMCIA card. The Altivar 312 may require up to 10 bytes (5 words) of output data, but this output size can only be reached by combining the “Receive PDO” of both PDOs: 2 bytes for PDO 1 and up to 8 bytes for PDO 6 (with a default size of 4 bytes). e.g. In our example, we reduce the number of %MW output words to 2 because the only CANopen outputs are those of the default mapping of the “Receive PDO 6” (“O Len.” of 4 QB, as indicated under SyCon). In addition, we allocate these output words so that they are placed just behind the input words: the first output word is %MW2. Thus, our CANopen output words are %MW2 and %MW3.		
Outputs	Reset	Hold or Reset
Determines whether the CANopen outputs words are held or reset to zero when the associated task (see above) is stopped, because such a halt does not cause the TSX CPP 110 card to stop.		
Watchdog	Enabled	Enabled or Disabled
If this option is enabled, the CANopen watchdog of the TSX CPP 110 CANopen master PCMCIA card will be triggered as soon as the card becomes unable to properly manage the CANopen bus. At the same time, all CANopen outputs words will be reset to 0.		
Configuration Loading Mode	PL7	PL7 or SyCon
PL7: The configuration of the CANopen bus is downloaded as part of the PL7 application software to the target master PLC. If there's not enough memory left in your application for this configuration, PL7 will prohibit this mode! SyCon: The configuration of the CANopen bus is considered as being already loaded into the PCMCIA card, thus assuming it was downloaded using SyCon . PL7 PRO only checks that the card configuration is identical to the contents of the “.co” file you selected, to aid in preventing any configuration mishap. However, any modification to the bus parameters will have to be performed under SyCon .		

Software setup with PL7 and SyCon

Reviewing the inputs and outputs of the CANopen master

Using the information located in the selected ".co" file, **PL7 PRO** establishes a direct correspondence between the data of each CANopen node and its equivalent %MW input and output words.



To review the Altivar 312 I/O, click on the "Bus configuration" button. This will reveal the "CANopen bus configuration" window, displayed here.

Selecting the "ATV312" CANopen slave (ATV31 in the example below) (Addr. 0002) will display the input and output words configured for this sole node.

Here, on the right, explicit symbols have been assigned beforehand to the %MW0 through %MW3 words so that you can figure how these words have been linked to the PDOs mapped under **SyCon**.

N.B. These allocations are only valid if the Altivar 312 is the only slave on the CANopen bus and you do use the two PDOs of PDO 6 with their default mapping. If you configure other slaves on the same fieldbus, or if you alter the PDO configuration of the Altivar 312, the previously described input and output words allocation would be different. Should this happen, **SyCon** features a command that allows you to view the entire set of inputs and outputs: execute the "Address Table..." command of the "View" menu in order to do so.

Note: Please note that **SyCon** displays **byte addresses and byte sizes** ("IB" inputs and "QB" outputs). You should always consider that these bytes are **aligned on word addresses**. Hence, a 1-byte object mapped into a configured PDO will actually take up a full word: the 1-byte object will be allocated to the MSB byte of this word, and its LSB byte becomes a "spare" byte.

The correspondence between the configured PDOs of the Altivar 312 and the PLC inputs and outputs is given in the following table:

PDO	Type	SyCon I/O	PL7 PRO I/O	Description of the mapped object
Transmit PDO 6	Inputs	IB0 - IB1	%MW0	Status word "ETA"
		IB2 - IB3	%MW1	Velocity actual value "RFRD"
Receive PDO 6	Outputs	QB0 - QB1	%MW2	Control word "CMD"
		QB2 - QB3	%MW3	Velocity Setpoint "LFRD"

Software setup with PL7 and SyCon

Example

The following example of a short **PL7 PRO** program illustrates the configuration described in chapter "Setting up the hardware configuration under PL7 PRO", page 18:

```
(* Masks the DRIVECOM Status Word *)
%MW5:=%MW0 AND 16#00FF;

(* Status word "ETAD" = 16#xx40 = Switch on disabled *)
IF(%MW5=16#0040)THEN
    %MW2:=16#0006;(* Control word "CMDD" = 16#0006 = Shutdown *)
END_IF;

(* Status word "ETAD" = 16#xx21/23 = Ready to switch on/Switched on *)
IF(%MW5=16#0021)OR(%MW5=16#0023)THEN
    %MW2:=16#000F;(* Control word "CMDD" = 16#000F = Enable operation *)
    %MW3:=1500;(* Velocity reference "LFRD" = 1,500 rotations per minute *)
    START %TM0;(* Starts the forward/reverse timer *)
END_IF;

(* Status word "ETAD" = 16#xx27 = Operation enabled *)
IF(%MW5=16#0027)THEN
    (* Forward/reverse timer elapsed *)
    IF %TM0.Q THEN
        (* Control word "CMDD": Forward <--> Reverse *)
        IF %MW2:X11 THEN RESET %MW2:X11;
        ELSE SET %MW2:X11;
        END_IF;
        (* Makes sure the DRIVECOM status does not change *)
        %MW2:=%MW2 OR 16#000F;
        (* Maintains Velocity reference "LFRD" at 1,500 rpm *)
        %MW3:=1500;
        (* Re-starts the forward/reverse timer *)
        DOWN %TM0;START %TM0;
    END_IF;
END_IF;
```

The main purpose of this example is to:

- Start the Altivar 312 according to the drive state chart
- Alternate speed forward and reverse at 1500 rpm during timer TMO

It uses the following memory objects:

Repère	Type	Symbole	Commentaire
%MW0	WORD	Etad_status_w	DRIVECOM status word
%MW1	WORD	Rfrd_actual_freq	DRIVECOM actual speed
%MW2	WORD	Cmdd_control_w	DRIVECOM control word
%MW3	WORD	Lfrd_freq_ref	DRIVECOM reference speed
%MW4	WORD		
%MW5	WORD	Masked_etad	Masked DRIVECOM status word

Description of the services

This chapter describes the various CANopen services of the drive, listed in accordance with their increasing COB-IDs.

Any data whose length exceeds one byte is set LSB first and MSB last in a CANopen frame.

Control of the NMT state machine (COB-ID = 16#000)

Frame description

Client ⇒ Drive

COB-ID	Byte 0	Byte 1
0 (16#000)	Command Specifier (CS)	Node-ID (1)

(1) If **Node-ID = 0**, the "Command Specifier" is broadcasted to all CANopen slaves (Altivar 312 included); each one must then execute this NMT command, thus passing the corresponding transition (see below).

Command Specifier (CS)	Meaning
1 (16#01)	Start_Remote_Node
2 (16#02)	Stop_Remote_Node
128 (16#80)	Enter_Pre-Operational_State
129 (16#81)	Reset_Node
130 (16#82)	Reset_Communication

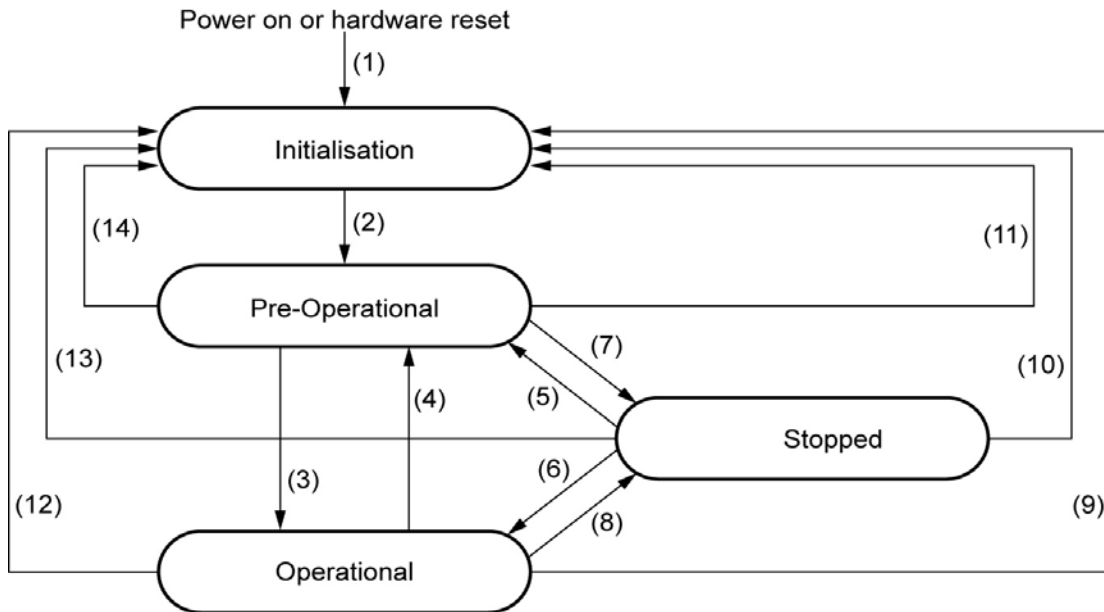
Example: Transition to Pre-Operational state (Enter_Pre-Operational_State = 16#80) of the Altivar 312 located at CANopen address 4 (16#04).

16#000	16#80	16#04
--------	-------	-------

Description of the services

Network management state chart (NMT State Machine)

Power on or hardware reset



Transition	Description
(1)	At Power on, the initialisation state is entered autonomously
(2)	Once initialisation is finished, the Pre-Operational state is automatically entered
(3), (6)	Start_Remote_Node
(4), (7)	Enter_Pre-Operational_State
(5), (8)	Stop_Remote_Node
(9), (10), (11)	Reset_Node
(12), (13), (14)	Reset_Communication

Depending on the communication state of the drive, the following services are available:

	Initialising	Pre-operational	Operational	Stopped
PDO			X	
SDO		X	X	
Synchronisation (SYNC)		X	X	
Emergency		X	X	
Boot-Up	X		X	
Network Management		X	X	X

Description of the services

Synchronisation object - SYNC (COB-ID = 16#080)

Client ⇒ Drive

COB-ID
128 (16#080)

The SYNC object is cyclically emitted by the CANopen master.
It does not include any data, hence limiting its frame to its sole COB-ID.

The main purpose of this object is to allow to use the synchronous communication modes of the CANopen slaves. Thus, in the case of the Altivar 312, the PDO 6, if used, can be set on one of the possible synchronously cyclic or acyclic communication modes.

Emergency Object - EMCY (COB-ID = 16#080 + Node-ID)

Client ⇔ Drive

COB-ID	Byte 0	Byte 1	Byte 2	Byte 3	Byte 4	Byte 5	Byte 6	Byte 7
128 (16#080) +Node-ID	Emergency Error Code		Error register	0	0	0	0	0
	LSB	MSB	=0 (no error) =1 (error)					

An EMCY object is sent by the Altivar 312 to the other CANopen devices, with high priority, whenever an internal error appears (Byte 2 = 1) or disappears (Byte 2 = 0). An EMCY will never be repeated.

The Emergency Error Code is the same as the variable "Fault code" (603F), refer to the user's manual "Communication variables".

Description of the services

Set PDO 1 (COB-ID = 16#180 + Node-ID / 16#200 + Node-ID)

This set of PDO is compliant with the “drive and motion profile” of the DSP-402 specification. It is herein referred to as “PDO 1”.

The default settings of the communication mode of PDO 1 must not be changed and its value (255) corresponds to the default communication mode of the drive profile: **asynchronous**, with the monitoring PDO being sent by the drive whenever the value of its data change.

In addition, the object mapping of its frames cannot be changed, i.e. only the Control word "CMDD" and Status word "ETAD" can be exchanged between the Altivar 312 and a client. Both the first monitoring PDO and the first control PDO include only two bytes of data.

Finally, the set of PDO 1 and the set of PDO 6 can be used at the same time but only to a certain extent and under special conditions (see the chapters describing these second PDOs).

Monitoring PDO 1 (COB-ID = 16#180 + Node-ID)

Client ⇐ Drive

COB-ID	Byte 0	Byte 1
384 (16#180) +Node-ID	Status word "ETAD"	
	LSB	MSB

Example: The Altivar 312 located at CANopen address 4 (COB-ID = 16#180 + 4) is in the state "Operation Enabled" and has no error (Status word "ETAD" = 16#xxx7). In the current example, Status word "ETAD" is equal to 16#0607.

16#184	16#07	16#06
--------	-------	-------

Control PDO 1 (COB-ID = 16#200 + Node-ID)

Client ⇒ Drive

COB-ID	Byte 0	Byte 1
512 16#200 +Node-ID	Control word "CMDD"	
	LSB	MSB

Example: The Altivar 312 located at CANopen address 4 (COB-ID = 16#200 + 4) receives the command called “Enable operation” (Control word "CMDD" = 16#xxxF). In the current example, Control word "CMDD" is equal to 16#000F.

16#204	16#0F	16#00
--------	-------	-------

Description of the services

Set PDO 6 (COB-ID = 16#280 + Node-ID / 16#300 + Node-ID)

This set of PDO is compliant with the “drive and motion profile” of the DSP-402 specification. It is herein referred to as “PDO 6”.

The settings of the communication mode of PDO 6 can be changed:

- its default value (255) corresponds to the default communication mode of the drive profile: asynchronous;
- synchronously cyclic (1-240): the drive sends the PDO once every 1 to 240 receptions of the SYNC object ;
- synchronously acyclic (0): the drive sends the PDO synchronously with the SYNC object, but its transmission is only triggered by a change in the value of its data (Available only for the Transmit PDO6).

Moreover, the object mapping of the frames of the set PDO 6 can be changed. Their default mapping include the Control word "CMDD", Velocity reference "LFRD", Status word "ETAD" and Velocity actual value "RFRD" and these will be presented first. Then, an example of object mapping will be given for the PDO 6 in order to illustrate the possibilities of mapping for this PDO.

Finally, the set of PDO1 and the set of PDO6 can be used at the same time; this will be discussed in the last section of the current chapter.

Note: If you want to use the transmitted and/or received objects of the PDO 6 to the “Configured PDOs” under **SyCon**, you must first uncheck the “Automatic COB-ID allocation in accordance with Profile 301” checkbox. Should you leave this checked, the COB-IDs of these objects will not be correct and you will then have to manually fix them.

Monitoring PDO 6 (COB-ID = 16#280 + Node-ID) - Default mapping

Client ⇔ Drive

COB-ID	Byte 0	Byte 1	Byte 2	Byte 3
640 (16#280) +Node-ID	Status word "ETAD"		Velocity actual value "RFRD"	
	LSB	MSB	LSB	MSB

Example: The Altivar 312 located at CANopen address 4 (COB-ID = 16#280 + 4) is in the state "Operation Enabled" and has no detected fault (Status word "ETAD" = 16#xxx7). In the current example, Status word "ETAD" is equal to 16#0607. In addition, the motor speed is equal to 1500 rpm (16#05DC).

16#284	16#07	16#06	16#DC	16#05
--------	-------	-------	-------	-------

Control PDO 6 (COB-ID = 16#300 + Node-ID) - Default mapping

Client ⇒ Drive

COB-ID	Byte 0	Byte 1	Byte 2	Byte 3
768 16#300 +Node-ID	Control word "CMDD"		Velocity reference "LFRD"	
	LSB	MSB	LSB	MSB

Example: The Altivar 312 located at CANopen address 4 (COB-ID = 16#300 + 4) receives the command called “Enable operation” (Control word "CMDD" = 16#xxxF). In the current example, Control word "CMDD" is equal to 16#000F. In addition, the motor speed is set to 1200 rpm (16#04B0).

16#304	16#0F	16#00	16#B0	16#04
--------	-------	-------	-------	-------

Description of the services

Monitoring PDO 6 (COB-ID = 16#280 + Node-ID) - User-defined mapping

Client ↔ Drive

COB-ID	Byte 0	Byte 1	Byte 2	Byte 3	Byte 4	Byte 5	Byte 6	Byte 7
640 (16#280) +Node-ID	Altivar variable (default: Status word "ETAD")		Altivar variable (default: velocity actual value "RFRD")		Altivar variable (default: no object)		Altivar variable (default: no object)	
	LSB	MSB	LSB	MSB	LSB	MSB	LSB	MSB

In order to modify the mapping of the second monitoring PDO under **SyCon**, you will have to double-click on the "Transmit PDO 6 parameter" item once you have added it to the "Configured PDOs" section. This will open the "PDO Contents Mapping Object Index 1A05" window.

You will then have to add/remove items from the upper "Mapable Objects from EDS file" section to the lower "Mapped Object dictionary" section. This is done via the two "Append Object" and "Delete mapped Object" buttons.

Once you have finished modifying the mapping of the "Transmit PDO 6 parameter," validate or cancel the changes using the "OK" or "Cancel" button.

N.B. Any byte left vacant at the end of this PDO will not be sent on the bus by the Altivar 312, i.e. if no parameter is assigned to Bytes 6 and 7, the PDO data length will be 6 bytes instead of 8 bytes.

Example: The two default objects are kept (6041:0 and 6044:0), but bytes 4 and 5 are mapped on the "Motor current; LCR" object (2002:4), and bytes 6 and 7 are mapped on the "Motor torque; OTR" object (2002:9), thus resulting in the following mapping:

COB-ID	Byte 0	Byte 1	Byte 2	Byte 3	Byte 4	Byte 5	Byte 6	Byte 7
640 (16#280) +Node-ID	Status word "ETAD"		Velocity actual value "RFRD"		Motor current "LCR"		Motor torque "OTR"	
	LSB	MSB	LSB	MSB	LSB	MSB	LSB	MSB

Now, we consider an Altivar 312 located at CANopen address 4 (COB-ID = 16#280 + 4) with the following status:

- Current state equal to "Operation Enabled" and without any detected faults (Status word "ETAD" = 16#xxx7). In the current example, Status word "ETAD" is equal to 16#0607;
- Velocity actual value "RFRD" equal to 1500 rpm (16#05DC);
- Motor current "LCR" equal to 4,0 A (16#0028);
- Motor torque "OTR" equal to 83 % (16#0053).

The corresponding sent frame for this monitoring PDO should be as follows (8 data bytes):

16#284	16#07	16#06	16#DC	16#05	16#28	16#00	16#53	16#00
--------	-------	-------	-------	-------	-------	-------	-------	-------

Description of the services

Control PDO 6 (COB-ID = 16#300 + Node-ID) - User-defined mapping

Client ⇒ Drive

COB-ID	Byte 0	Byte 1	Byte 2	Byte 3	Byte 4	Byte 5	Byte 6	Byte 7
768 16#300 +Node-ID	Altivar variable (default: Control word "CMDD")		Altivar variable (default: Velocity reference "LFRD")		Altivar variable (default: no object)		Altivar variable (default: no object)	
	LSB	MSB	LSB	MSB	LSB	MSB	LSB	MSB

In order to modify the mapping of the second control PDO under **SyCon**, you will have to double-click on the "Receive PDO 6 parameter" item once you have added it to the "Configured PDOs" section. This will open the "PDO Contents Mapping Object Index 1605" window.

You will then have to add/remove items from the upper "Mapable Objects from EDS file" section to the lower "Mapped Object dictionary" section. This is done via the two "Append Object" and "Delete mapped Object" buttons.

Once you have finished modifying the mapping of the "Receive PDO 6 parameter," validate or cancel the changes using the "OK" or "Cancel" button.

N.B. Any byte left vacant at the end of this PDO will not be sent on the bus by the Client, i.e. if no parameter is assigned to Bytes 6 and 7, the PDO data length will be 6 bytes instead of 8 bytes.

Example: The first default object is kept (6040:0), but the second default object (6044:0) is replaced with Acceleration time "ACC" (203C:2) and bytes 4 and 5 are mapped on the Deceleration time "DEC" (203C:3), thus resulting in the following mapping:

COB-ID	Byte 0	Byte 1	Byte 2	Byte 3	Byte 4	Byte 5
768 (16#300) +Node-ID	Control word "CMDD"		Acceleration time "ACC"		Deceleration time "DEC"	
	LSB	MSB	LSB	MSB	LSB	MSB

Now, we consider an Altivar 312 located at CANopen address 4 (COB-ID = 16#300 + 4) and controlled as follows:

- "Enable operation" command (Control word "CMDD" = 16#xxxF); in the current example, Control word "CMDD" is equal to 16#000F;
- Acceleration time "ACC" at 1s (10 = 16#000A);
- Deceleration time "DEC" at 2s (20 = 16#0014).

The corresponding received frame for this control PDO should be as follows (6 data bytes):

16#304	16#0F	16#00	16#0A	16#00	16#14	16#00
--------	-------	-------	-------	-------	-------	-------

Description of the services

Summary table

	Word 1	Word 2	Word 3	Word 4	Mapping	Default COB-ID	Transmission type		
							synchronously		asynch.
							cyclic	acyclic	
Transmit PDO 1	Status word "ETAD"	-	-	-	Not modifiable	Activated 384 16#00000180 +Node-ID	-	-	✓
Receive PDO 1	Control word "CMDD"	-	-	-	Not modifiable	Activated 512 16#00000200 +Node-ID	-	-	✓
Transmit PDO 6	Status word "ETAD"	Velocity actual value "RFRD"	Default: no object	Default: no object	Modifiable	Deactivated 640 16#80000280 +Node-ID	✓	✓	✓
Receive PDO 6	Control word "CMDD"	Velocity reference "LFRD"	Default: no object	Default: no object	Modifiable	Deactivated 768 16#80000300 +Node-ID	✓	✓	✓

	Inhibit time (ms)			Event timer (ms)		
	Access	Default value	Minimum value	Access	Default value	Minimum value
Transmit PDO 1	Read / Write	50	0	Read / Write	100	0
Transmit PDO 6	Read / Write	50	10	Read / Write	100	10

Description of the services

SDO service (COB-ID = 16#580 + Node-ID / 16#600 + Node-ID)

Request: Client ⇒ Drive

COB-ID	Byte 0	Byte 1	Byte 2	Byte 3	Byte 4	Byte 5	Byte 6	Byte 7
1536 (16#600) +Node-ID	Request code	Object index		Object sub-index	Request data			
		LSB	MSB		Bits 7-0	Bits 15-8	Bits 23-16	Bits 31-24

Response: Client ⇐ Drive

COB-ID	Byte 0	Byte 1	Byte 2	Byte 3	Byte 4	Byte 5	Byte 6	Byte 7
1408 (16#580) +Node-ID	Response code	Object index		Object sub-index	Response data			
		LSB	MSB		Bits 7-0	Bits 15-8	Bits 23-16	Bits 31-24

Depending on the "Request code" and the "Response code", the contents of "Request data" and "Response data" may vary. This is summarised in the following two tables:

Request code	Command description	Byte 4	Byte 5	Byte 6	Byte 7
16#23	Write a 4-byte data	Bits 7-0	Bits 15-8	Bits 23-16	Bits 31-24
16#2B	Write a 2-byte data	Bits 7-0	Bits 15-8	16#00	16#00
16#2F	Write a 1-byte data	Bits 7-0	16#00	16#00	16#00
16#40	Read data	16#00	16#00	16#00	16#00
16#80	Abort the current SDO command (1)	16#00	16#00	16#00	16#00

Response code	Response description	Byte 4	Byte 5	Byte 6	Byte 7
16#43	Read data: 4-byte data (1)	Bits 7-0	Bits 15-8	Bits 23-16	Bits 31-24
16#4B	Read data: 2-byte data (1)	Bits 7-0	Bits 15-8	16#00	16#00
16#4F	Read data: 1-byte data (1)	Bits 7-0	16#00	16#00	16#00
16#60	Write a 1/2/4-byte data: response	16#00	16#00	16#00	16#00
16#80	Error response: abort code returned (2)	Bits 7-0	Bits 15-8	Bits 23-16	Bits 31-24

(1) If you use the SDO service to read a multi-byte data, such as the "manufacturer device name" (parameter 16#1008: 16#00), a *segmented transfer* will be initiated between the Client and the Drive.

The 16#80 "Request code" is designed to stop this kind of transfer.

(2) The response data (bytes 4 to 7) corresponds to a 32-bit "abort code"; the full listing of all Altivar 312 supported abort codes are described in the table below.

Note: Segment transfer only applies for information with a size that exceeds 4 bytes. It only occurs for "Manufacturer device name" (object 16#1008).

Description of the services

Abort code (1)	Description
16# 0503 0000	<i>Segmented transfer</i> : the "toggle bit" has not been alternated
16# 0504 0000	The SDO protocol timed out
16# 0504 0001	The "request code" is not valid or is unknown
16# 0601 0000	An access fault has been detected during access to the parameter (e.g. a write request on a "read only" parameter)
16# 0601 0001	Tried to perform a read request on a parameter with "write only" access rights
16# 0601 0002	Tried to perform a write request on a parameter with "read only" access rights
16# 0602 0000	The "index" passed in the request refers to an object that does not exist in the object dictionary
16# 0604 0041	PDO object mapping: the parameter cannot be mapped to the PDO; this error occurs when writing to the 16#1600, 16#1A00, 16#1605, and 16#1A05 parameters (PDO mappings)
16# 0604 0042	PDO object mapping: the number and/or length of the parameters to be mapped would exceed the maximum PDO length.
16# 0609 0011	The "sub-index" passed in the request does not exist
16# 0609 0030	Value range of parameter exceeded (only for write access)
16# 0609 0031	Value of parameter written too high
16# 0609 0032	Value of parameter written too low
16# 0609 0036	The parameter maximum value is less than its minimum value
16# 0800 0000	A general error has been detected.

(1) Please note that the "Abort codes" listed in this table are written in the usual representation and thus must be inverted on a byte-by-byte basis for the "Byte 4 to 7" representation (e.g. 16# 0609 0030 becomes Byte 4 = 16#30, Byte 5 = 16#00, Byte 6 = 16#09, Byte 7 = 16#06).

Important notes regarding the SDO service

Note: Do not use SDO write requests on the parameters included in the "Transmit PDOs" you have configured under SyCon. For the "Transmit PDO 1", this constraint applies to Control word "CMDD". For the "Transmit PDO 6", Control word "CMDD" and Velocity reference "LFRD" are both configured by default. If you replace one or both of these default parameters, or if you add one or two other parameters to this PDO, this restriction applies to these configured parameters.

Note: Any parameter directly connected to one of the parameters placed under the previous restriction must not be modified using a SDO write request.

Description of the services

Read example for the SDO service

This example demonstrates how to read the parameter "Acceleration time (ACC)" of an Altivar 312 located at the CANopen address 4 (COB-ID = 16#580 + Node-ID or 16#600 + Node-ID). The "index:sub-index" of this parameter is equal to 16#203C/02.

N.B. The indexes and sub-indexes for all the variables of the Altivar 312 are listed in the user's manual "Communication variables" of the Altivar 312.

Read request: Client ⇒ Drive

The "request code" of a read request is 16#40.

16#604	16#40	16#3C	16#20	16#02	16#00	16#00	16#00	16#00
--------	-------	-------	-------	-------	-------	-------	-------	-------

Read response: Client ⇐ Drive

In our current example, the "response code" of the read response is 16#4B because the read operation was successfully performed on a 2-byte data.

16#584	16#4B	16#3C	16#20	16#02	16#E8	16#03	16#00	16#00
--------	-------	-------	-------	-------	-------	-------	-------	-------

The response frame displayed above indicates that the value of the read parameter is equal to 1000 (16#03E8), which equates to an "Acceleration time (ACC)" of 100 s, the unit of this parameter is "0.1s".

Write example for the SDO service

This example demonstrates how to write the value 100 s to the parameter "Acceleration time (ACC)" of an Altivar 312 located at the CANopen address 4 (COB-ID = 16#580 + Node-ID or 16#600 + Node-ID). The "index:sub-index" of this parameter is equal to 16#203C/02.

N.B. The indexes and sub-indexes for all the variables of the Altivar 312 are listed in the user's manual "Communication variables" of the Altivar 312.

Write request: Client ⇒ Drive

The "request code" of this write request is 16#2B, because we are trying to modify the value of a 2-byte data.

16#604	16#2B	16#3C	16#20	16#02	16#E8	16#03	16#00	16#00
--------	-------	-------	-------	-------	-------	-------	-------	-------

The 2-byte data field of the request frame displayed above indicates that the value we try to attribute to the "Acceleration" parameter is equal to 1000 (16#03E8), which equates to an "Acceleration time (ACC)" of 100 s, the unit of this parameter is "0.1s".

Write response: Client ⇐ Drive

The "response code" of the write response is 16#60 because the write operation was successfully performed.

16#584	16#60	16#3C	16#20	16#02	16#00	16#00	16#00	16#00
--------	-------	-------	-------	-------	-------	-------	-------	-------

Description of the services

Error control protocols (COB-ID = 16#700 + Node-ID)

Bootup protocol

Client ↔ Drive

COB-ID	Byte 0
1792 (16#700) +Node-ID	16#00

This protocol is used to signal that the Drive has entered the node state Pre-Operational after the state Initialising.

The only data byte sent in a bootup protocol frame is always equal to 16#00.

Node guarding protocol

Description

The monitoring of the communication between the Client (the NMT master) and the Drive is either achieved using the Node Guarding protocol, described here, or with the Heartbeat protocol, described thereafter. Only one of these two protocols may be active at any given time!

Client ⇄ Drive

The Client polls the drive and any other NMT slave at regular time intervals using "remote transmit requests." Each NMT slave is assigned a specific time period for this poll, called "life time". Its value may be changed via the two parameters "guard time" (16#100C: 16#00) and "life time factor" (16#100D: 16#00). The "life time" is given by the "guard time" multiplied by the "life time factor".

By default, the Node Guarding Protocol is inhibited on the Altivar 312 (the "guard time" and "life time factor" parameters are both set to 0).

Client ↔ Drive

COB-ID	Byte 0
1792 (16#700) +Node-ID	NMT information

The response of the Drive contains its NMT state in the "NMT information" field, described here:

Bit 7 = Toggle bit: the value of this bit must alternate between two consecutive responses from the Drive. The value of the toggle bit of the first response after the node guarding protocol becomes active is 0. It is only reset to 0 when a "Reset_Communication" command is passed to the Drive (see chapter Network management state chart (NMT State Machine), page 28). If a response is received with the same value of the toggle-bit as in the previous response, then the new response is handled as if it was not received.

Bits 6-0 = NMT state: Current NMT state of the Altivar 312: Stopped (16#04), Operational (16#05), or Pre-Operational (16#7F).

If the Drive does not transmit its response or if it transmits an incorrect state, the Client triggers a "Node Guarding" event.

If, after its "life time" has elapsed, the Drive does not receive any polling:

- it triggers a "Life Guarding" event,
- the drive will display **L D F** (CANopen communication fault),
- and sends an emergency telegram (EMCY).

Description of the services

Example of node guarding protocol setup

As described earlier, the “life time” of the Altivar 312 may be modified using the SDO service in order to write new values for its “guard time” and “life time factor” parameters.

Parameter	Index	Sub-index	Format	Unit
Guard time	16# 100C	16# 00	16-bit unsigned integer	1 ms
Life time factor	16# 100D	16# 00	unsigned byte	—

In the current example, we will configure a “life time” of 2 seconds, with a “guard time” of 500 ms and a “life time factor” equal to 4 (500 ms × 4 = 2 s).

1) Setting up the “guard time” to 500 ms

- COB-ID = 16#600 + Node-ID for the write request, or 16#580 + Node-ID for the write response
- Request code (byte 0) = 16#2B for writing a 2-byte data
- Response code (byte 0) = 16#60 if the write operation has been successfully carried out
- Object index (bytes 1 and 2) = 16#100C
- Object sub-index (byte 3) = 16#00
- Request data (bytes 4 and 5) = 16#01F4 (500)

Request: Client ⇒ Drive

16#604	16#2B	16#0C	16#10	16#00	16#F4	16#01	16#00	16#00
--------	-------	-------	-------	-------	-------	-------	-------	-------

Response: Client ⇐ Drive

16#584	16#60	16#0C	16#10	16#00	16#00	16#00	16#00	16#00
--------	-------	-------	-------	-------	-------	-------	-------	-------

2) Setting up the “life time factor” to 4

- COB-ID = 16#600 + Node-ID for the write request, or 16#580 + Node-ID for the write response
- Request code (byte 0) = 16#2F for writing a 1-byte data
- Response code (byte 0) = 16#60 if the write operation has been successfully carried out
- Object index (bytes 1 and 2) = 16#100D
- Object sub-index (byte 3) = 16#00
- Request data (byte 4) = 16#04 (4)

Request: Client ⇒ Drive

16#604	16#2F	16#0D	16#10	16#00	16#04	16#00	16#00	16#00
--------	-------	-------	-------	-------	-------	-------	-------	-------

Response: Client ⇐ Drive

16#584	16#60	16#0D	16#10	16#00	16#00	16#00	16#00	16#00
--------	-------	-------	-------	-------	-------	-------	-------	-------

Corresponding PL7 instructions (in ST language):

```
%MW1000:=16#01F4; (* Data to Send = Guard Time = 500 *)
%MW1001:=16#04; (* Data to Send = Life Time Factor = 4 *)
%MW22:=50; (* Timeout = 50 x 10 ms = 500 ms *)
%MW23:=4; (* Data length = 4 bytes *)
(* SENDS the SDO WRITE commands *)
WRITE_VAR(ADR#0.1.SYS, 'SDO', 16#0000100C, 4, %MW1000:1, %MW20:4);
WRITE_VAR(ADR#0.1.SYS, 'SDO', 16#0000100D, 4, %MW1001:1, %MW20:4)
```

Description of the services

Heartbeat protocol

Description

As an alternative to the Node Guarding protocol, described in the previous chapter, the heartbeat protocol can be used to monitor the communication between a Client and the Drive.

Only one of these two protocols may be active at any given time!

~~Client → Drive~~

Contrary to the Node Guarding Protocol, the Heartbeat Protocol does not require the Client to send frames, not even “remote frames,” to any device.

Client ⇄ Drive

COB-ID	Byte 0
1792 (16#700) +Node-ID	Heartbeat producer status

Instead, each “Heartbeat Producer” transmit a heartbeat message cyclically (see above), and any “Heartbeat Consumer” receives this message and checks it arrives within a maximum given time. Two parameters are used to configure this relationship: “consumer heartbeat time” (16#1016: 16#01) and “producer heartbeat time” (16#1017: 16#00).

By default, the Heartbeat Protocol is inhibited on the Altivar 312 (the “consumer heartbeat time” and “producer heartbeat time” parameters are both set to 0).

The “Heartbeat message” from the Drive contains a “Heartbeat producer status” field, described here:

Bit 7 = reserved: this bit is always set to 0.

Bits 6-0 = Heartbeat producer state: Current state of the Altivar 312: Bootup (16#00), Stopped (16#04), Operational (16#05), or Pre-Operational (16#7F).

A Heartbeat Consumer does cyclically check the reception of the “Heartbeat messages” within the “Consumer Heartbeat Time.” Thus, the “Producer Heartbeat Time” of the Heartbeat Producers must be lower than this “Consumer Heartbeat Time.”

If a “Heartbeat message” is not received within the “Consumer Heartbeat Time,” the consumer triggers a “Heartbeat” event.

Considering that the configuration of “Consumer Heartbeat Time” and “Producer Heartbeat Time” parameters is supported by **SyCon** v2.8 (and its future versions), it will not be described in this user’s manual as the Heartbeat Protocol is one of the many possibilities of the SDO service.

Object dictionary

General contents of the object dictionary

The general breakdown of the Altivar 312 object dictionary is the same for all CANopen devices:

Index	Object
16#0000	Unused
16#0001 - 16#001F	Static data types
16#0020 - 16#003F	Complex data types
16#0040 - 16#005F	Unused (Manufacturer specific complex data types)
16#0060 - 16#007F	Device profile specific static data types
16#0080 - 16#009F	Device profile specific complex data types
16#00A0 - 16#0FFF	Reserved for further use
16#1000 - 16#1FFF	Communication profile area
16#2000 - 16#5FFF	Altivar 312 specific profile area
16#6000 - 16#9FFF	Standardised device profile area
16#A000 - 16#FFFF	Reserved for further use

Object dictionary

Objects from the communication profile area

This area contains the communication specific parameters for the CANopen network. All entries that appear here are common to ALL CANopen devices.

Index	Sub-index	Access	Type	Default value	Description
16#1000	16#00	RO	Unsigned 32	16#00010192	Device type: Bits 16-23 = Device type mode (1) Bits 0-15 = Device profile number (402)
16#1001	16#00	RO	Unsigned 8	16#00	Error register: Error (1) or no error (0)
16#1003	16#00	RW	Unsigned 8	16#00	Number of errors: No error (0) or one or more errors (>0) in object 16#1003; only the value 0 can be written
	16#01	RO	Unsigned 32	16#00000000	Standard Error Field: Bits 16-31 = Additional information (all 0s) Bits 0-15 = Error code
16#1005	16#00	RW	Unsigned 32	16#00000080	COB-ID SYNC message: You should not modify this object value!
16#1008	16#00	RO	Visible String	"ATV312"	Manufacturer device name
16#100A	16#00	RO	Visible String	"0301"	Manufacturer software version: The value given here is only an example (V3.1)
16#100B	16#00	RO	Unsigned 32	(Node-ID)	Node-ID: This object receives the value of the Node-ID configured for the Altivar 312
16#100C	16#00	RW	Unsigned 16	16#0000	Guard Time: By default, the Node Guarding Protocol is inhibited; the unit of this object is 1 ms.
16#100D	16#00	RW	Unsigned 8	16#00	Life Time Factor: Multiplier applied to the "Guard Time" in order to obtain a "Life Time"
16#100E	16#00	RW	Unsigned 32	16#00000700 + Node-ID	Node Guarding Identifier: COB-ID used for the Node Guarding Protocol
16#100F	16#00	RO	Unsigned 32	16#00000001	Number of SDO supported
16#1014	16#00	RO	Unsigned 32	16#00000080 + Node-ID	COB-ID Emergency message: COB-ID used for the EMCY service
	16#00	RO	Unsigned 8	16#01	Consumer Heartbeat Time - Number of entries
16#1016	16#01	RW	Unsigned 32	16#00000000	Consumer Heartbeat Time: Bits 16-23 = Node-ID of the producer Bits 0-15 = Heartbeat time (unit = 1 ms) N.B. Only one heartbeat producer can be configured here! By default, no producer is monitored.
	16#00	RW	Unsigned 16	16#0000	Producer Heartbeat Time: The unit of this object is 1 ms. By default, the Altivar 312 sends no Heartbeat messages.
16#1018	16#00	RO	Unsigned 8	16#01	Identity object - Number of entries
	16#01	RO	Unsigned 32	16#0000005F	Identity object - Vendor ID: This value is unique for each manufacturer.

Object dictionary

Index	Sub-index	Access	Type	Default value	Description
16#1200	16#00	RO	Unsigned 8	16#02	Server SDO - Number of entries
	16#01	RO	Unsigned 32	16#00000600 + Node-ID	Server SDO - COB-ID Client → Drive (receive)
	16#02	RO	Unsigned 32	16#00000580 + Node-ID	Server SDO - COB-ID Client ← Drive (transmit)
16#1400	16#00	RO	Unsigned 8	16#02	Receive PDO1 - Number of entries
	16#01	RW	Unsigned 32	16#00000200 + Node-ID	Receive PDO1 - COB-ID
	16#02	RO	Unsigned 8	16#FF	Receive PDO1 - Transmission type: The only available mode for this PDO is "asynchronous" (PDO sent when its data value changes)
16#1405	16#00	RO	Unsigned 8	16#02	Receive PDO6 - Number of entries
	16#01	RW	Unsigned 32	16#00000300 + Node-ID	Receive PDO6 - COB-ID
	16#02	RW	Unsigned 8	16#FF	Receive PDO6 - Transmission type: Two modes are available for this PDO: "asynchronous" (255), and "synchronously cyclic" (1-240).
16#1600	16#00	RO	Unsigned 8	16#01	Receive PDO1 mapping - Number of mapped objects
	16#01	RO	Unsigned 32	16#60400010	Receive PDO1 mapping - 1st mapped object: Control word "CMDD" (16#6040)
16#1605	16#00	RW	Unsigned 8	16#02	Receive PDO6 mapping - Number of mapped objects: 0 to 4 objects can be mapped for this PDO
	16#01	RW	Unsigned 32	16#60400010	Receive PDO6 mapping - 1st mapped object: Control word "CMDD" (16#6040)
	16#02	RW	Unsigned 32	16#60420010	Receive PDO6 mapping - 2nd mapped object: Velocity reference "LFRD" (16#6042)
	16#03	RW	Unsigned 32	16#00000000	Receive PDO6 mapping: No 3rd mapped object
	16#04	RW	Unsigned 32	16#00000000	Receive PDO6 mapping: No 4th mapped object
16#1800	16#00	RO	Unsigned 8	16#05	Transmit PDO1 - Number of entries
	16#01	RW	Unsigned 32	16#00000180 + Node-ID	Transmit PDO1 - COB-ID
	16#02	RO	Unsigned 8	16#FF	Transmit PDO1 - Transmission type: The only available mode for this PDO is "asynchronous" (PDO sent when its data value changes)
	16#03	RW	Unsigned 16	30	Transmit PDO1 - Inhibit time: Minimum time between two transmissions; unit = 1 ms
	16#04	RW	Unsigned 8	—	Transmit PDO1 - Reserved
	16#05	RW	Unsigned 16	100	Transmit PDO1 - Event timer: In "asynchronous" mode, this object sets a minimum rate of transmission for this PDO; unit = 1 ms

Object dictionary

Index	Sub-index	Access	Type	Default value	Description
16#1805	16#00	RO	Unsigned 8	16#05	Transmit PDO6 - Number of entries
	16#01	RW	Unsigned 32	16#00000280 + Node-ID	Transmit PDO6 - COB-ID
	16#02	RW	Unsigned 8	16#FF	Transmit PDO6 - Transmission type: Three modes are available for this PDO: "asynchronous" (255), "synchronously cyclic" (1-240), and "synchronously acyclic" (0)
	16#03	RW	Unsigned 16	30	Transmit PDO6 - Inhibit time: Minimum time between two transmissions; unit = 0,1 ms
	16#04	RW	Unsigned 8	—	Transmit PDO6 - Reserved
16#1A00	16#05	RW	Unsigned 16	100	Transmit PDO6 - Event timer: In "asynchronous" mode, this object sets a minimum rate of transmission for this PDO; unit = 1 ms
	16#00	RO	Unsigned 8	16#01	Transmit PDO1 mapping - Number of mapped objects
16#1A05	16#01	RO	Unsigned 32	16#60410010	Transmit PDO1 mapping - 1st mapped object: Status word "ETAD" (16#6041)
	16#00	RW	Unsigned 8	16#02	Transmit PDO6 mapping - Number of mapped objects: 0 to 4 objects can be mapped for this PDO
	16#01	RW	Unsigned 32	16#60410010	Transmit PDO6 mapping - 1st mapped object: Status word "ETAD" (16#6041)
	16#02	RW	Unsigned 32	16#60440010	Transmit PDO6 mapping - 2nd mapped object: velocity actual value "RFRD" (16#6044)
	16#03	RW	Unsigned 32	16#00000000	Receive PDO6 mapping: No 3rd mapped object
	16#04	RW	Unsigned 32	16#00000000	Receive PDO6 mapping: No 4th mapped object

Objects from the Altivar 312 specific profile area

The parameters of this area are not described in the present user's manual.

Please refer to the user's manual "Communication variables" of the Altivar 312 for a full description of these Altivar 312 specific parameters.

Objects from the standardised device profile area

The parameters of this area are not described in the present user's manual.

Please refer to the user's manual "Communication variables" of the Altivar 312 for a full description of these parameters.

BBV52819

ATV312_CANopen_EN_V1

05/2009