

SpaceLogic Sensors Replacement Humidity Sensors



Replacement Humidity Sensors for SLA and SLP

SLXRH Series Generation 2 Replacement Humidity Sensors work with the SLA and SLP Series Living Space Sensors (with humidity option). The SLA and SLP Series sensors use an on-board RH sensor. When a replacement sensor is installed into the socket on the SLA or SLP, the reading from the replacement sensor is used. The replacement sensor can subsequently be replaced as needed.

Available Products

Model	Description	Temp. Calibration	RH Calibration
SLXRHS2N	Replaceable RH sensor, 2% with NIST certificate	N/A	2-point calibration
SLXRHS2X	Replaceable RH sensor, 2%	N/A	2-point calibration
SLXRHS1N	Replaceable RH sensor, 1% with NIST certificate	N/A	2-point calibration



Safety Precautions

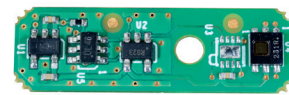
NOTICE

PRODUCT DAMAGE DUE TO ELECTRO-STATIC DISCHARGE

Circuit boards and components can be damaged by static electricity or electro-static discharge (ESD). Observe the following electro-static precautions when handling this product and cables and components connected to the product.

- Keep static-producing material such as plastic, upholstery, carpeting, etc. out of the immediate work area
- Store the product in ESD-protective packaging when it is not installed in the panel
- When handling the product or a conductive cable/ESD-sensitive component connected to the product, wear a conductive wrist strap connected to ground through a minimum of 1 M resistance
- Do not touch exposed conductors and component leads with skin or clothing

Failure to follow these instructions can result in equipment damage.



NOTICE

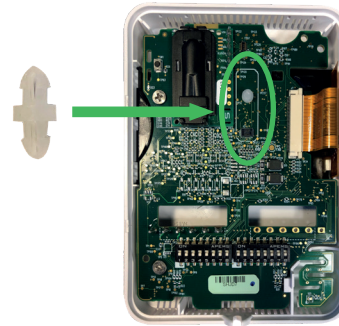
SHORT CIRCUIT

- Disconnect power to the unit before making modifications.
- Failure to follow these instructions can result in equipment damage.**

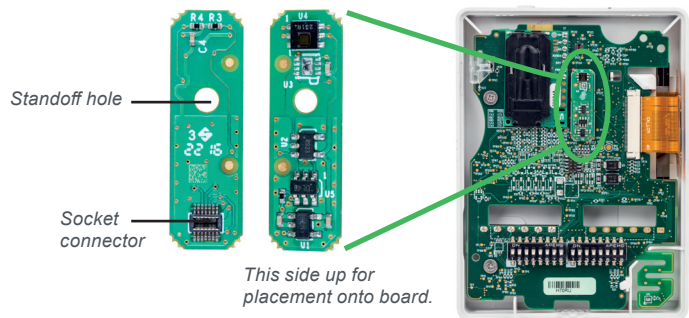
If this product is used in a manner not specified by the manufacturer, the protection provided by the product may be impaired. No responsibility is assumed for the manufacturer for any consequences arising out of the use of this material.

Installation for SLA & SLP Living Space Sensors

1. Disconnect power to the unit.
2. Remove faceplate.
3. Install the plastic standoff into the hole in the circuit board above the replaceable RH sensor socket.



1. Align new Replacement Humidity Sensor into the socket and standoff. Press on socket until it clicks into place. Then press down on the top of the sensor until the standoff snaps into place.



2. Reconnect power and replace faceplate.

USA: +1 888-444-1311
 Europe: +46 10 478 2000
 Asia: +65 6484 7877
 www.schneider-electric.com

Life Is On



SpaceLogic Sensors

Replacement Humidity and Temperature Sensors



Replacement Humidity and Temperature Sensors for SCD2, SHD2 & SHO2

SLXRH Generation 2 Replacement Humidity Sensors and T2 Series Temperature only or Temperature and Humidity sensors work with SCD2, SHD2 and SHO2 Series Plant Room Sensors (with humidity and temperature options).

These sensors use on-board RH sensor and solid state temperature sensors to be used on analog transmitters or protocol models. The sensors are factory calibrated and offered in various configurations based on the end application need. When a replacement is installed into the socket, the reading from the replacement sensor is used. The replacement sensor can subsequently be replaced as needed.

Available Products

Model	Description	Temp. Calibration	RH Calibration
SLXRHS2N*	Replaceable RH sensor, 2% with NIST certificate	N/A	2-point calibration
SLXRHS2X	Replaceable RH sensor, 2%	N/A	2-point calibration
SLXRHS1N	Replaceable RH sensor, 1% with NIST certificate	N/A	2-point calibration
SLXXT2**	Replaceable temperature module with 2-point calibration certificate	2-point calibration	N/A
SLXRHT2**	Replaceable temperature and humidity module with 2-point calibration certificate	2-point calibration	2-point calibration



*Not for use with SHO2 Series outdoor humidity sensors.
 **For use on temperature transmitter models only.

Safety Precautions

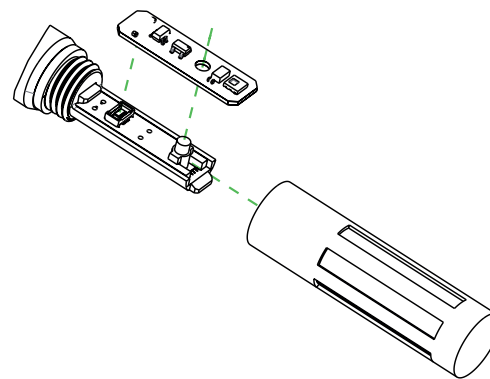
NOTICE
<p>SHORT CIRCUIT</p> <ul style="list-style-type: none"> Disconnect power to the unit before making modifications. <p>Failure to follow these instructions can result in equipment damage.</p>

If this product is used in a manner not specified by the manufacturer, the protection provided by the product may be impaired. No responsibility is assumed for the manufacturer for any consequences arising out of the use of this material.

NOTICE
<p>PRODUCT DAMAGE DUE TO ELECTRO-STATIC DISCHARGE</p> <p>Circuit boards and components can be damaged by static electricity or electro-static discharge (ESD). Observe the following electro-static precautions when handling this product and cables and components connected to the product.</p> <ul style="list-style-type: none"> Keep static-producing material such as plastic, upholstery, carpeting, etc. out of the immediate work area Store the product in ESD-protective packaging when it is not installed in the panel When handling the product or a conductive cable/ESD-sensitive component connected to the product, wear a conductive wrist strap connected to ground through a minimum of 1 M resistance Do not touch exposed conductors and component leads with skin or clothing <p>Failure to follow these instructions can result in equipment damage.</p>

Installation for SCD2, SHD2 & SHO2 Plant Room Sensors

1. Disconnect power to the unit.
2. Open the probe cap.
3. Locate the replaceable module.
4. Remove the module from the probe tip.
5. Install the new module.



6. Close the probe cap and reconnect power.

USA: +1 888-444-1311
 Europe: +46 10 478 2000
 Asia: +65 6484 7877
www.schneider-electric.com

Life Is On

