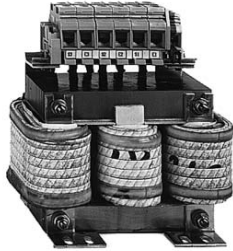




00175569918087

# Altivar - Lexium

## VW3 A4 551 ... A4 572



VW3 A4 551	10 mH - 4 A
VW3 A4 552	4 mH - 10 A
VW3 A4 553	2 mH - 16 A
VW3 A4 554	1 mH - 30 A
VW3 A4 555	0,5 mH - 60 A
VW3 A4 556	0,3 mH - 100 A
VW3 A4 557	0,15 mH - 230 A
VW3 A4 558	0,155 mH - 184 A
VW3 A4 559	0,12 mH - 222 A

VW3 A4 560	0,098 mH - 264 A
VW3 A4 561	0,066 mH - 344 A
VW3 A4 564	0,038 mH - 613 A
VW3 A4 565	0,032 mH - 720 A
VW3 A4 568	0,085 mH - 300 A
VW3 A4 569	0,060 mH - 450 A
VW3 A4 570	0,22 mH - 160 A
VW3 A4 571	0,23 mH - 230 A
VW3 A4 572	0,1 mH - 450 A

### DANGER

#### HAZARD OF ELECTRIC SHOCK, EXPLOSION, OR ARC FLASH

- Read and understand this manual and the manuals of the drive before installing this option.
- Installation must be performed by qualified personnel
- The user is responsible for compliance with all international and national electrical code requirements with respect to grounding of all equipment.
- Many parts of this drive, including the printed circuit boards, operate at the line voltage. DO NOT TOUCH. Use only electrically insulated tools.
- DO NOT touch unshielded components or terminal strip screw connections with voltage present.
- DO NOT short across terminals PA/+ and PC/- or across the DC bus capacitors.
- Before servicing the drive:
  - Disconnect all power, including external control power that may be present.
  - Place a "DO NOT TURN ON" label on all power disconnects.
  - Lock all power disconnects in the open position.
  - WAIT 15 MINUTES to allow the DC bus capacitors to discharge.
  - Measure the voltage of the DC bus between the PA/+ and PC/- terminals to ensure that the voltage is less than 42 Vdc.
  - If the DC bus capacitors do not discharge completely, contact your local Schneider Electric representative. Do not repair or operate the drive.
- Install and close all covers before applying power or starting and stopping the drive.

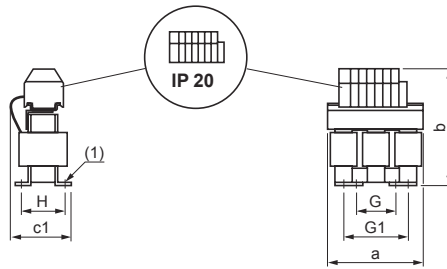
**Failure to follow these instructions will result in death or serious injury.**

Electrical equipment should be installed, operated, serviced, and maintained only by qualified personnel. No responsibility is assumed by Schneider Electric for any consequences arising out of the use of this product.

© 2010 Schneider Electric. All Rights Reserved.

## VW3 A4 551 ... VW3 A4 553

IP 00

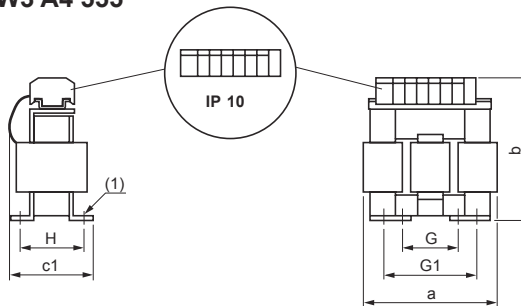


VW3	mm	a	b	c1	G	G1	H	(1)
A4 551		100	135	60	40	60	42	8 x (Ø 6 x 9)
A4 552		130	155	90	60	80,5	62	8 x (Ø 6 x 12)
A4 553		130	155	90	60	80,5	62	8 x (Ø 6 x 12)

1 inch = 25,4 mm

## VW3 A4 554 ... VW3 A4 555

IP 00

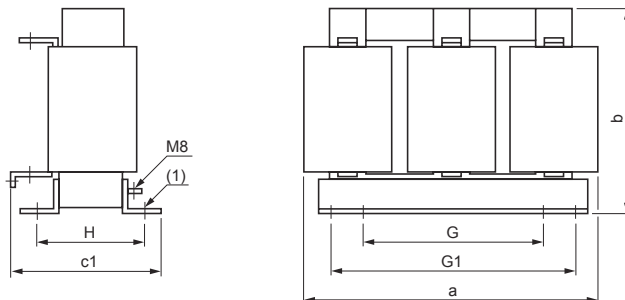


VW3	mm	a	b	c1	G	G1	H	(1)
A4 554		155	170	135	75	107	90	8 x (Ø 6 x 12)
A4 555		180	210	160	85	122	105	8 x (Ø 6 x 12)

1 inch = 25,4 mm

## VW3 A4 556

IP 00

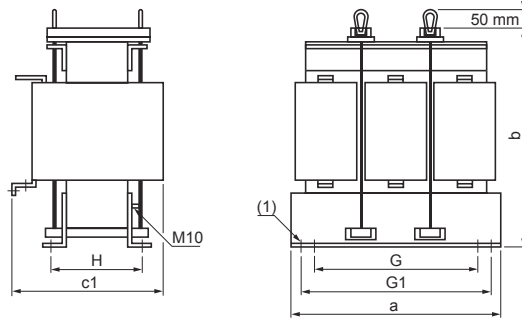


VW3	mm	a	b	c1	G	G1	H	(1)
A4 556		270	210	180	105	181	100	8 x (Ø 1.1 x 22)

1 inch = 25,4 mm

# VW3 A4 557

IP 00

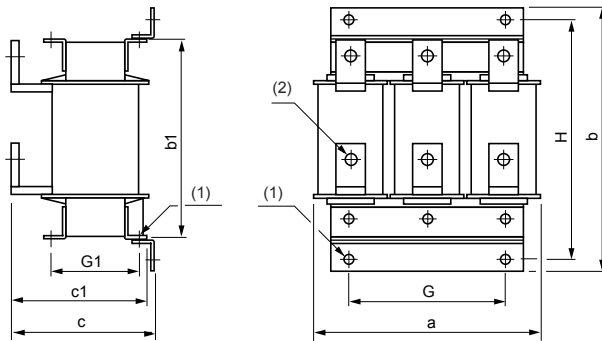


VW3	mm	a	b	c1	G	G1	H	(1)
A4 557		320	290	215	190	230	142	8 x (Ø 11 x 22)

1 inch = 25,4 mm

# VW3 A4 558 ... 572

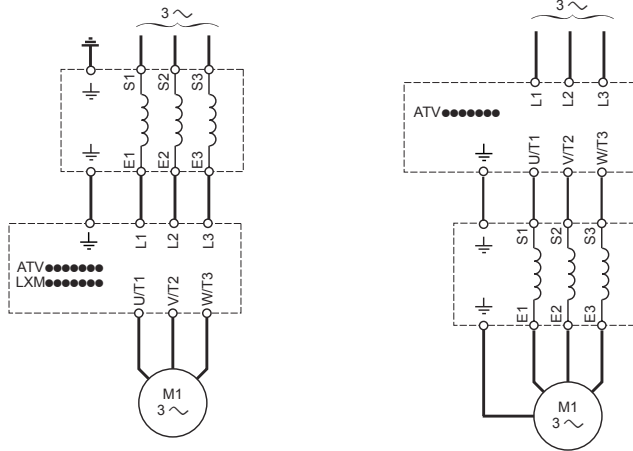
IP 00



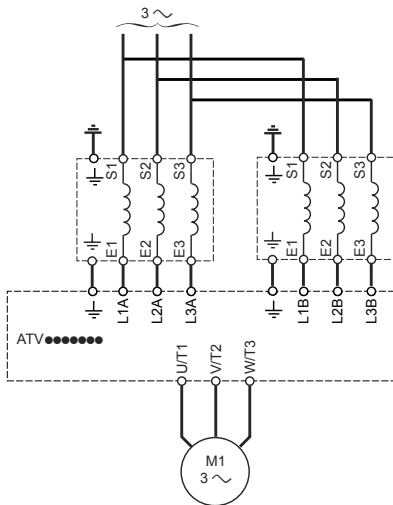
VW3	mm	a	b	b1	c	c1	G	G1	H	(1)	(2)
A4 558		280	330	260	210	200	200	125	300	Ø 9	Ø 10.5
A4 559		320	380	300	210	200	225	120-160	350	Ø 11	Ø 11
A4 560		320	380	300	210	200	225	150	350	Ø 11	Ø 11
A4 561		320	380	300	250	230	225	145-175	350	Ø 11	Ø 13
A4 562		320	380	300	250	230	225	150	350	Ø 11	Ø 13
A4 563		320	380	300	250	230	225	150-165	350	Ø 11	Ø 13
A4 564		385	440	340	265	245	300	125-165	400	Ø 13.5	Ø 13
A4 565		385	445	340	275	250	300	165	400	Ø 13.5	Ø 13
A4 568		320	385	300	210	200	225	140	340	Ø 11	Ø 11
A4 569		320	385	300	250	230	225	170	340	Ø 11	Ø 13
A4 570		280	305	240	210	200	200	125	275	Ø 9	Ø 8.5
A4 571		385	440	340	265	245	300	115-150	400	Ø 13.5	Ø 13
A4 572		385	440	340	305	295	300	175-205	400	Ø 13.5	Ø 13

1 inch = 25,4 mm

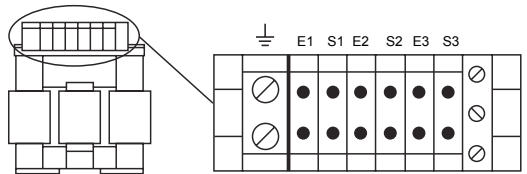
### VW3 A4 551 ... 572



### 2 x VW3 A4 569 2 x VW3 A4 564



### VW3 A4 551 ... 555



[www.schneider-electric.com](http://www.schneider-electric.com)

... N.m  
(... lb.in)



### VW3 A4 556 ... 572

