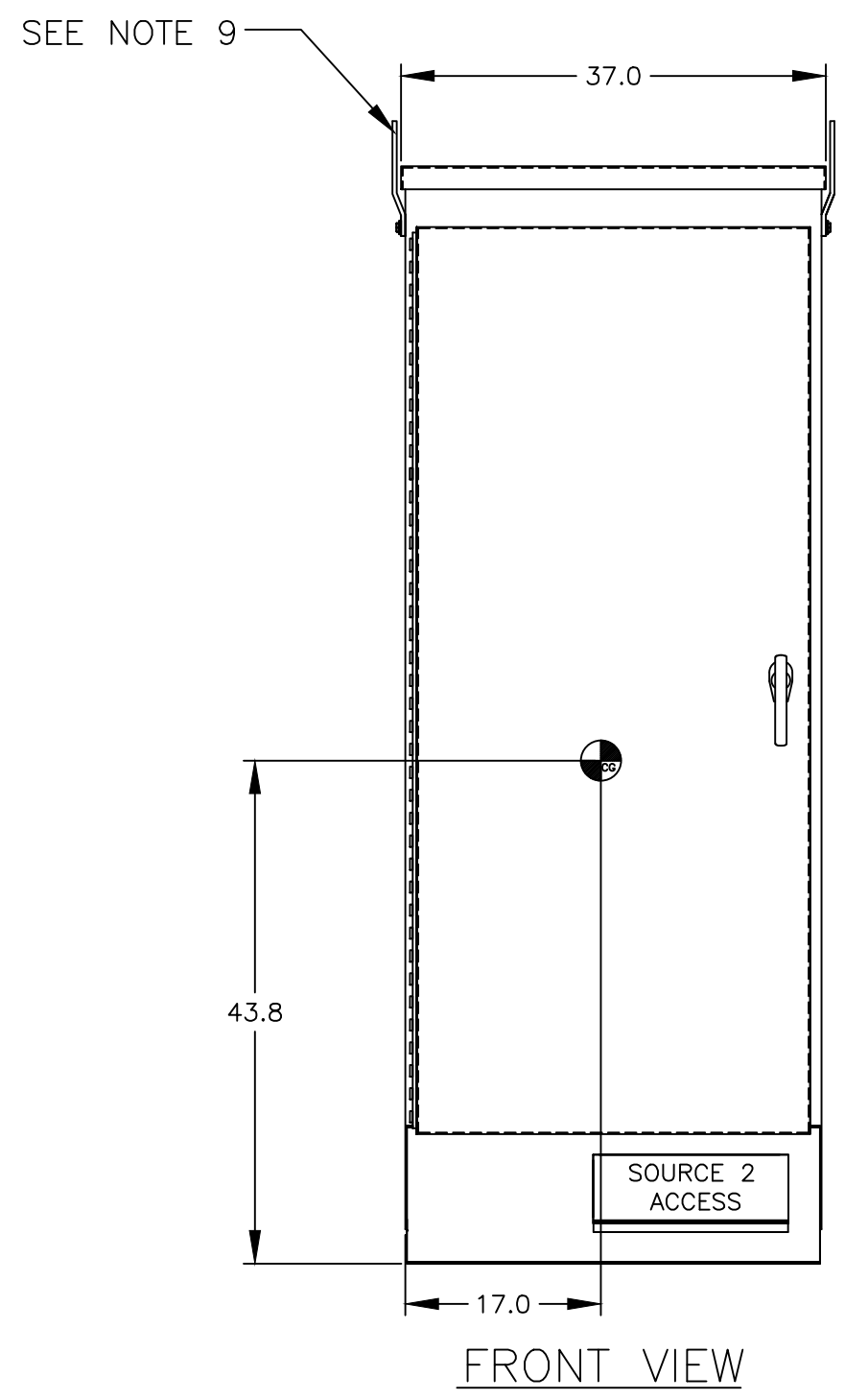
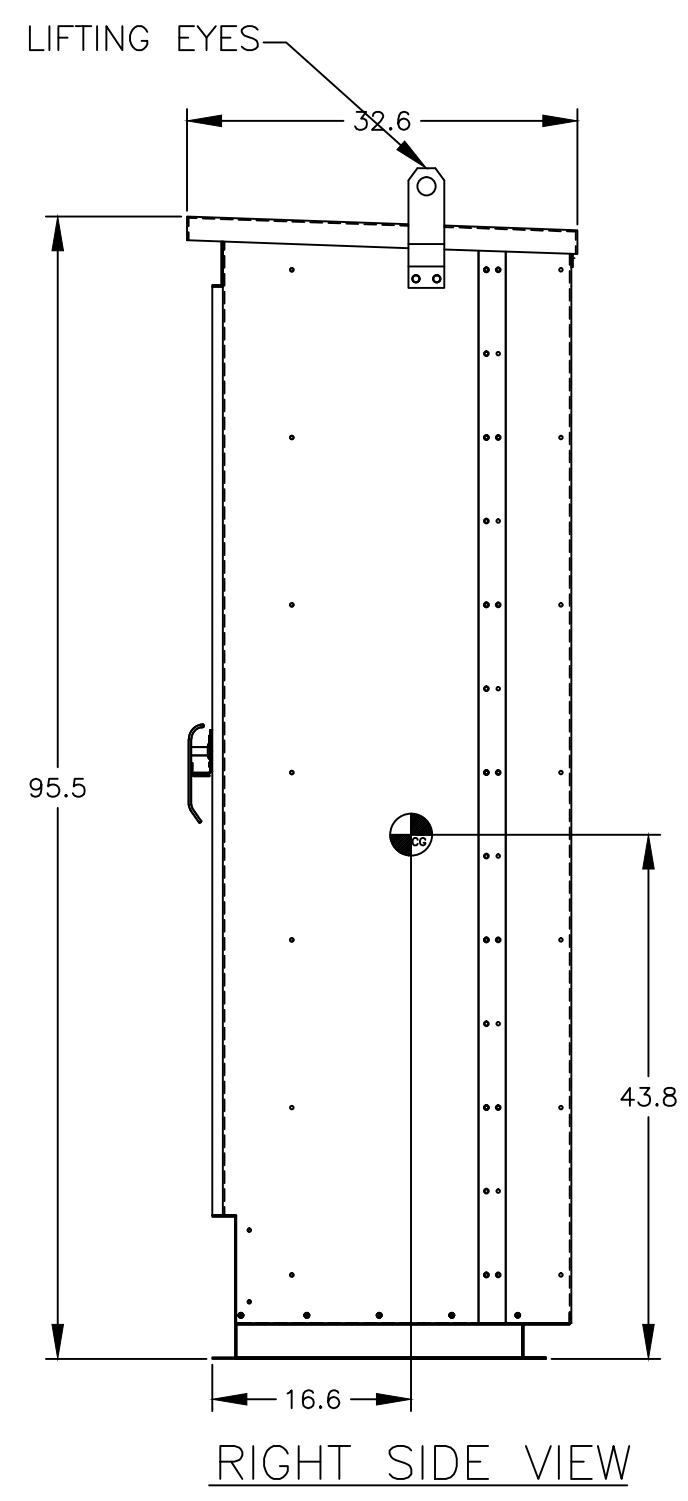


TOP VIEW



FRONT VIEW



RIGHT SIDE VIEW

GENERAL NOTES

- TYPE 3R ENCLOSURE. FREE STANDING. FLOOR MOUNTED. CODE GAUGE STEEL.
- EXTERIOR DOORS HAVE PADLOCKABLE HANDLE WITH 3 POINT LATCH.
- FINISH: TYPE 3R: ANSI 61 GRAY POLYESTER SEMI GLOSS ELECTROSTATIC POWDER.
TYPE 3RX(R) - EXTERIOR CONSTRUCTED OF CODE GAUGE TYPE 304 STAINLESS STEEL.
TYPE 3RX(S) - EXTERIOR CONSTRUCTED OF CODE GAUGE TYPE 316 STAINLESS STEEL
- RECOMMENDED CLEARANCES:
FRONT: 38 INCHES
- ALL BUS IS SILVER-PLATED COPPER, BASED ON 1000A PER SQ. IN. DENSITY.
- A FULL RATED NEUTRAL CONNECTION FOR EACH SOURCE AND THE LOAD IS OPTIONAL. WHEN PROVIDED IT IS IN ONE OF THE FOLLOWING FORMATS AS SPECIFIED BY THE CATALOG NO. NEUTRAL TYPE;
A. SOLID (COPPER BUS) NEUTRAL.
B. SWITCH (COPPER BUS) NEUTRAL.
- DESIGNED FOR FRONT ACCESS
- FOR SPECIFIED TRANSFER SWITCH, REFER TO OPERATOR'S MANUAL PROVIDED WITH UNIT.
- LIFTING PLATES: SECTIONS ARE SUPPLIED WITH LIFTING PLATES.
INSPECT PLATES FOR DAMAGE AND TORQUE BOLTS TO 45 FT LBS BEFORE USE.
REFER TO ANSI/NEMA PB 2.1 FOR PROPER HANDLING OF EQUIPMENT.
AFTER INSTALLATION OF SECTION, REMOVE LIFTING PLATES.
REINSTALL BOLTS INTO EXTERIOR HOLES AND TORQUE TO APROX. 20 FT LBS.
- SECTION 1 & SECTION 1T SHIP AS 1 UNIT.
- CENTER OF GRAVITY.
- APPROXIMATE WEIGHT: 990 LBS

SPECIFICATIONS

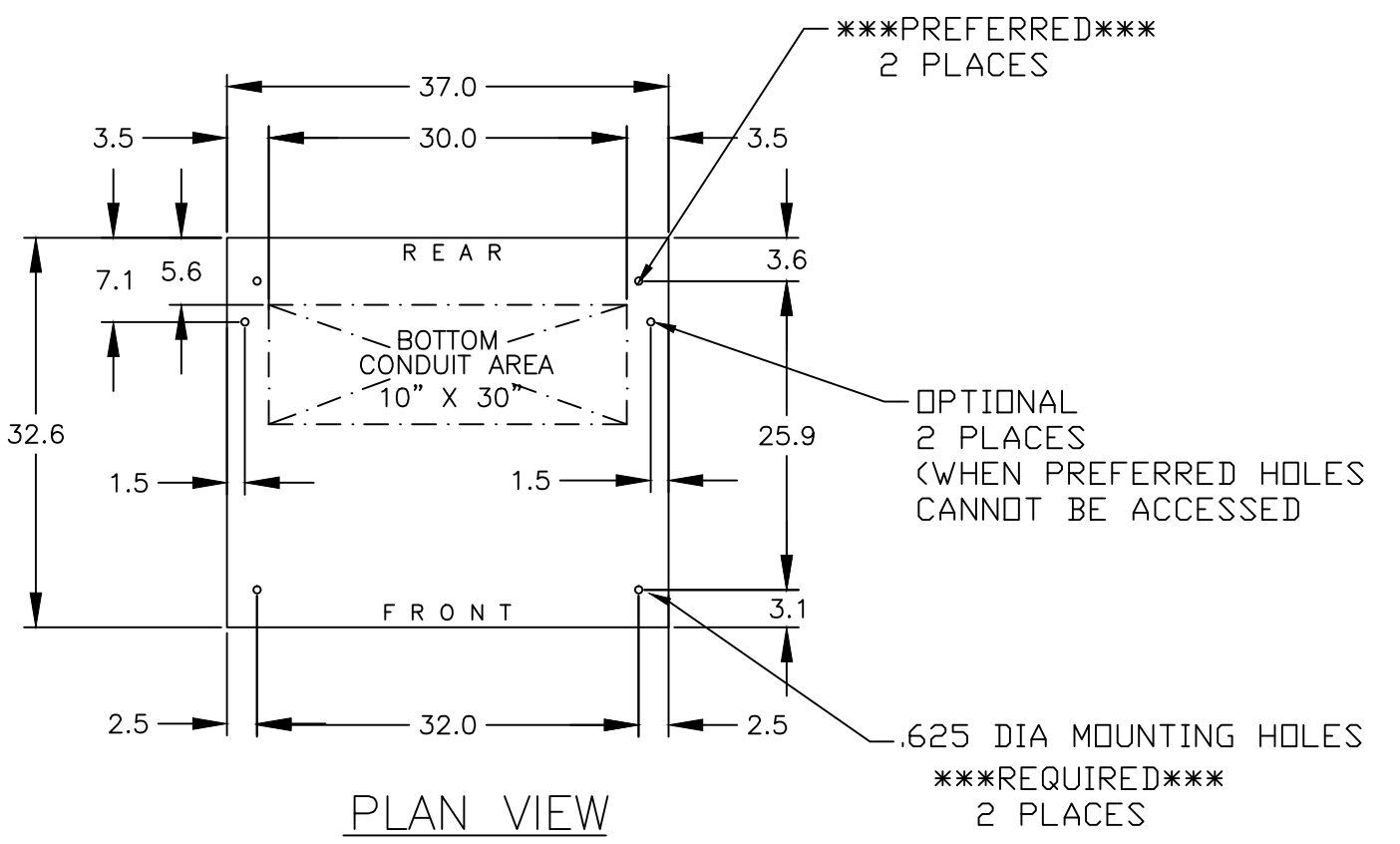
- SYSTEM RATING: 150-400AMPS, 3 ϕ , 4W OR 1 ϕ , 3W.
SHORT CIRCUIT RATING- SOURCE 1: 35,000 RMS SYM AMPERES @ 480V, 65,000 RMS SYM AMPERES @ 240V
SOURCE 2: 22,000 RMS SYM AMPERES @ 480V
- NEUTRAL BUS: 100% RATED.
- GROUND BUS- 20% RATED.
- APPLICABLE LABELS: U.L. 1008, U.L. 891, SUITABLE ONLY FOR USE AS SERVICE EQUIPMENT.

TERMINATIONS 150-400 AMPS

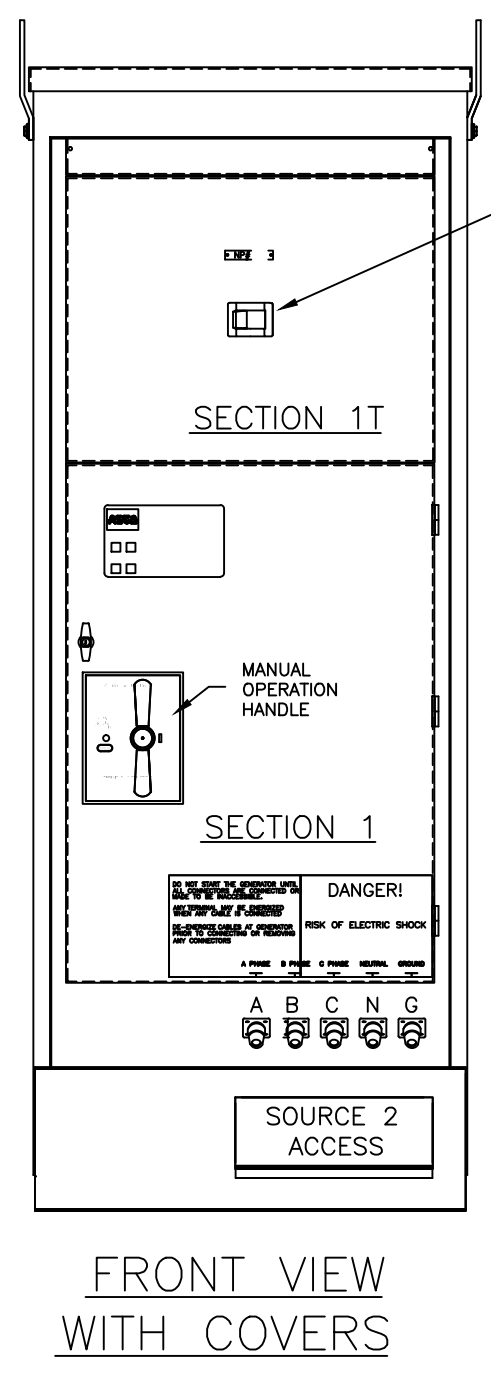
- SUPPLIED WITH MECHANICAL (SCREW TYPE) LUGS FOR CU/AL CABLE.
NORMAL: (2) 1/0 AWG - 250MCM OR (1) #1 - 600MCM PER PHASE & NEUTRAL
LOAD: (2) 1/0 AWG - 250MCM OR (1) #4 - 600MCM PER PHASE & NEUTRAL
SOURCE 2: (1) 1016 SERIES SINGLE POLE CAM LOCK MALE RECEPTAL PER PHASE & NEUTRAL
GROUND: (6) 1/0 -600MCM
SUITABLE WIRE BENDING SPACE IS PROVIDED AS PER THE NEC
- OPTIONAL LUGS MAY BE SUPPLIED.

CIRCUIT BREAKER: ITEM 52U

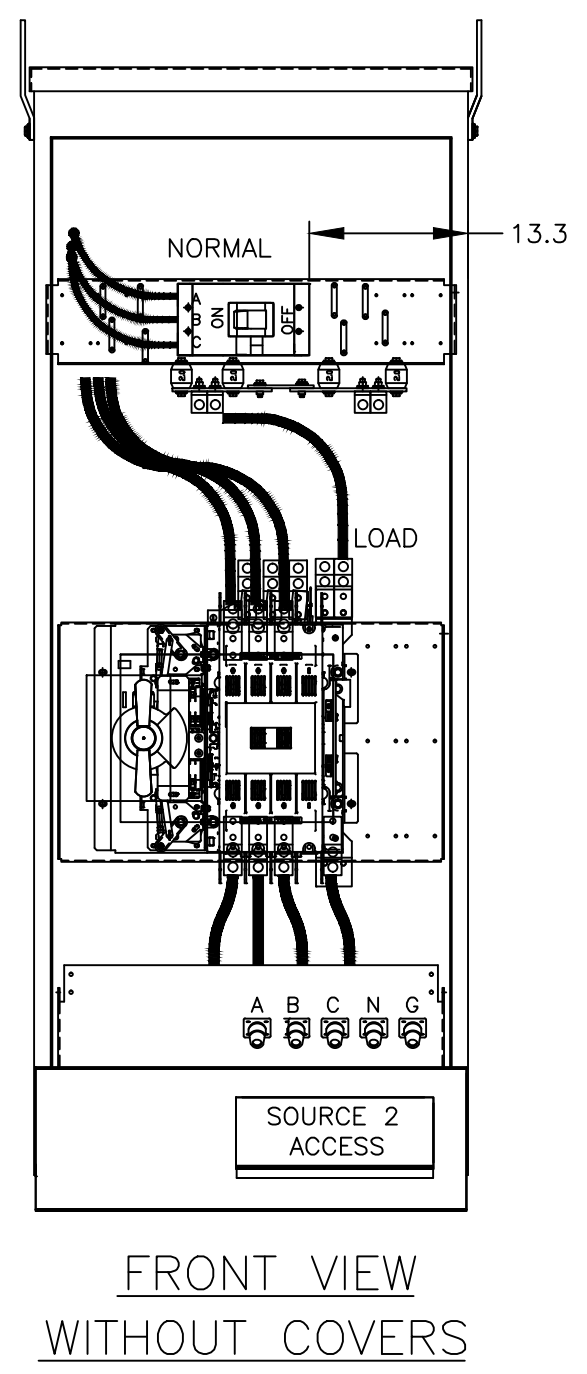
SQUARE "D" 80% RATED TYPE 'LHL', 400AF/150AT, 400AF/175AT, 400AF/200AT, 400AF/225AT, 400AF/250AT, 400AF/300AT, 400AF/350AT, 400AF/400AT, MOLDED CASE CIRCUIT BREAKER, THERMAL MAGNETIC TRIP



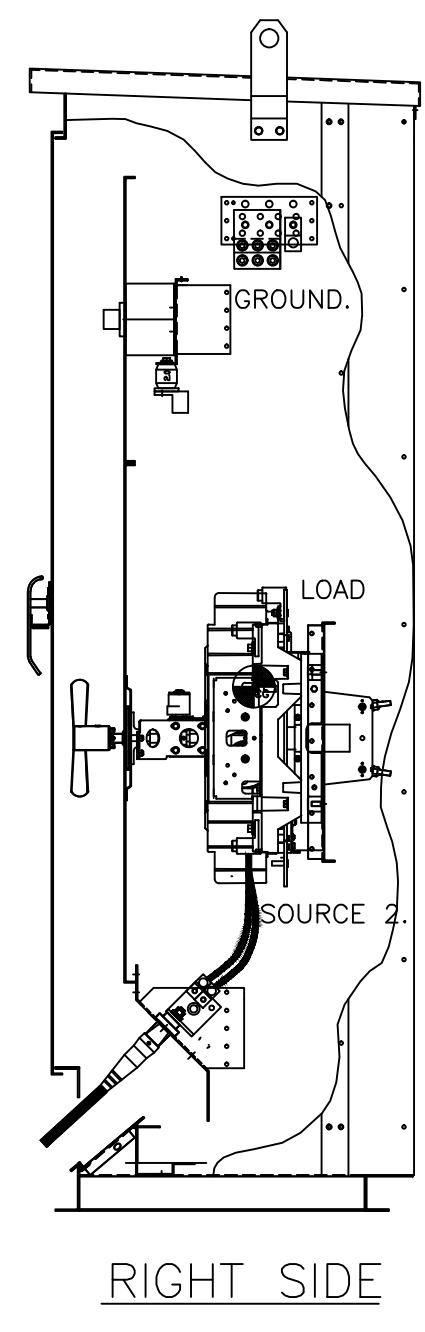
PLAN VIEW



FRONT VIEW WITH COVERS

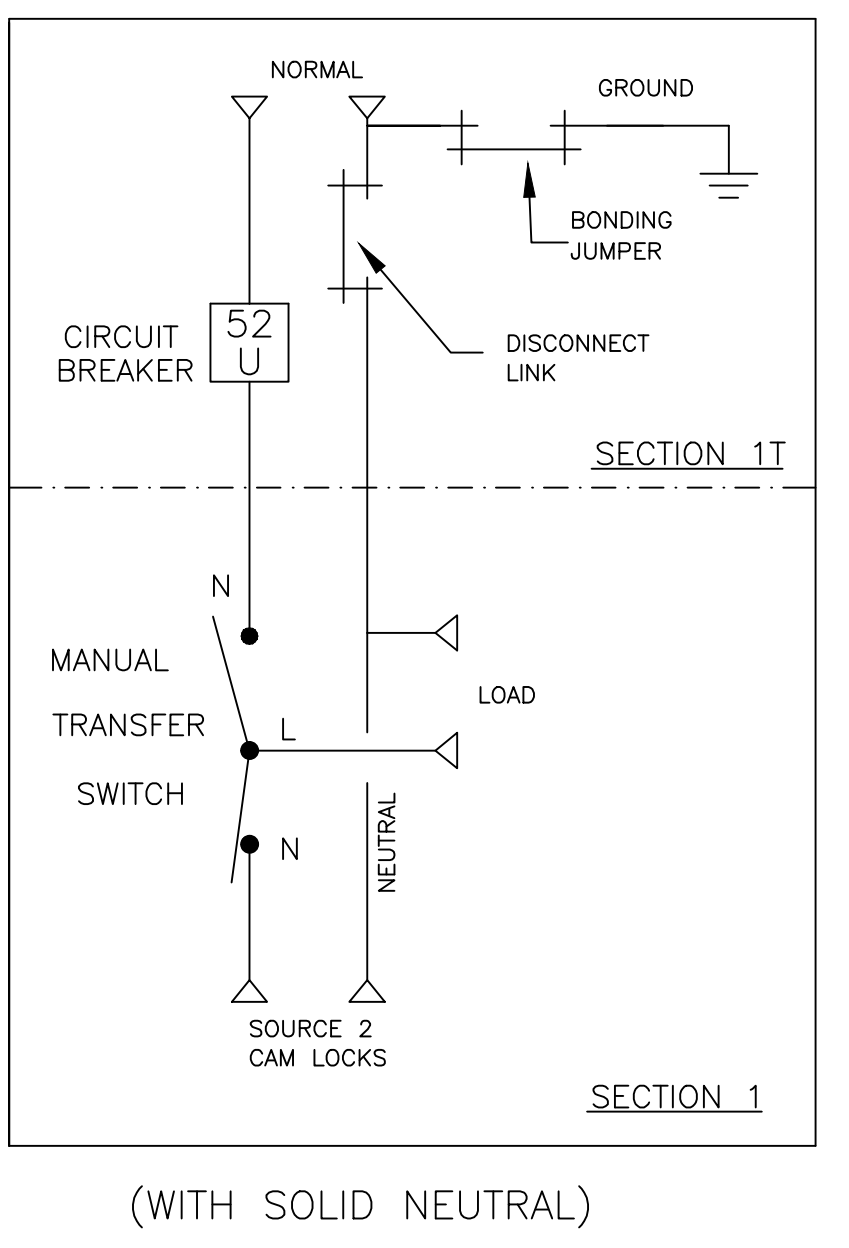


FRONT VIEW WITHOUT COVERS



RIGHT SIDE

ONE LINE DIAGRAM



(WITH SOLID NEUTRAL)

PROJECT NAME:		REV. TO SHEET	ECN NO.	BY	APP.	DATE
OUTLINE		MOUNTING				
JMUQ 150A - 400A, LH SE BRKR ON NORMAL, CAMLOCKS ON SOURCE 2		TYPE 3R/3RX 96 X 37 X 33 SECTION 1 & 1T				
BY	DATE	MANUFACTURING TOLERANCES TO BE IN ACCORDANCE WITH ASCO PROCEDURE MP-1-003. FOR PLASTIC PARTS SEE MP-1-005		ASSEM. REF. NO.	COMPUTER GENERATED DRAWING	
CHECKED	RN	PROPERTY OF ASCO POWER TECHNOLOGIES. USE PERMITTED FOR OUR WORK ONLY. ALL RIGHTS OF DESIGN OR INVENTION ARE RESERVED.		SCALE 1/16" = 1" SIZE DS	DWG. NO. 977101-002	
PROJECT APPROVAL		ASCO® ASCO POWER TECHNOLOGIES, L.P. FLOHAM PARK, NEW JERSEY 07932 U.S.A.		DRAWING A	ECN NO. 269192	SHEET 1 OF 1
FINAL APPROVAL						