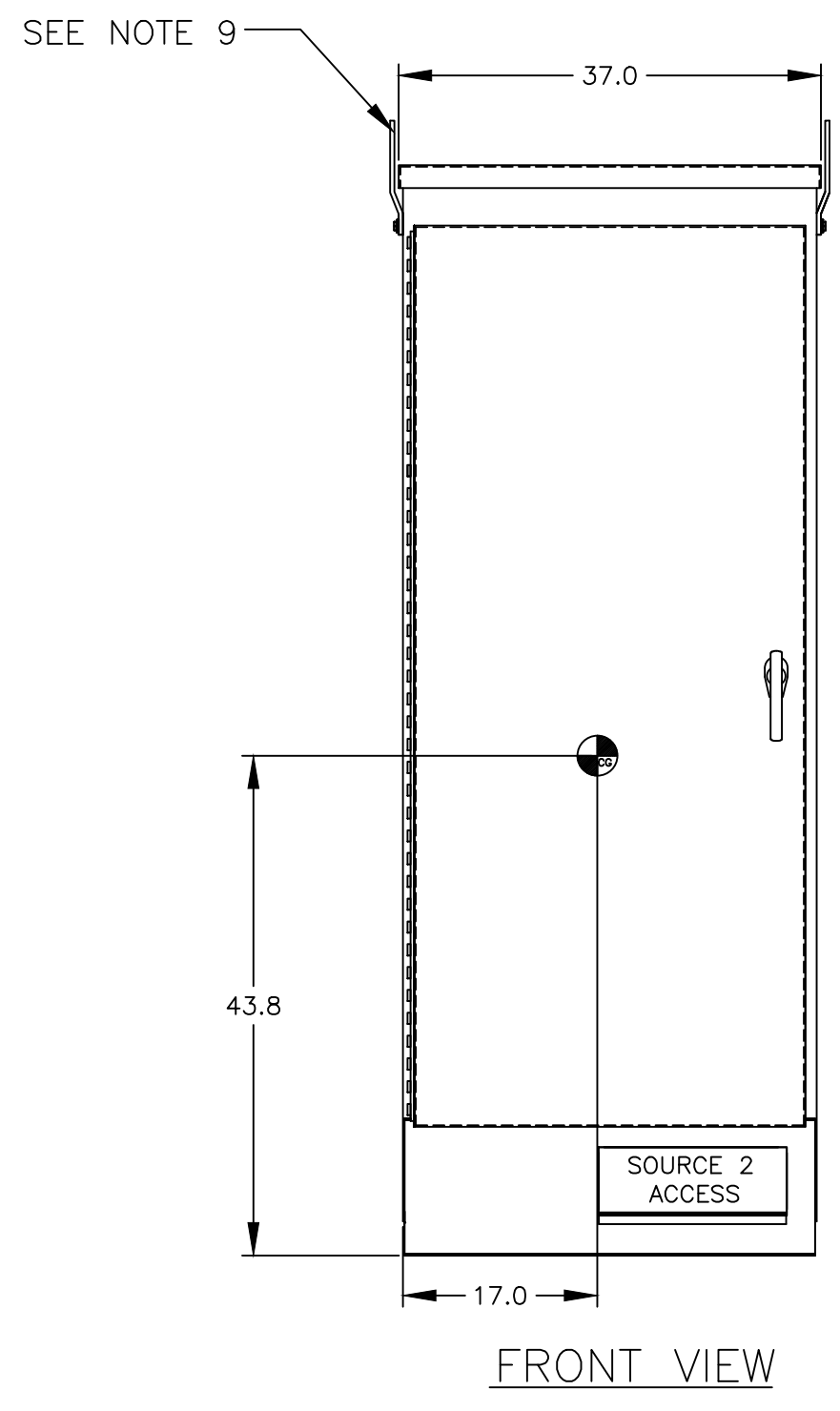
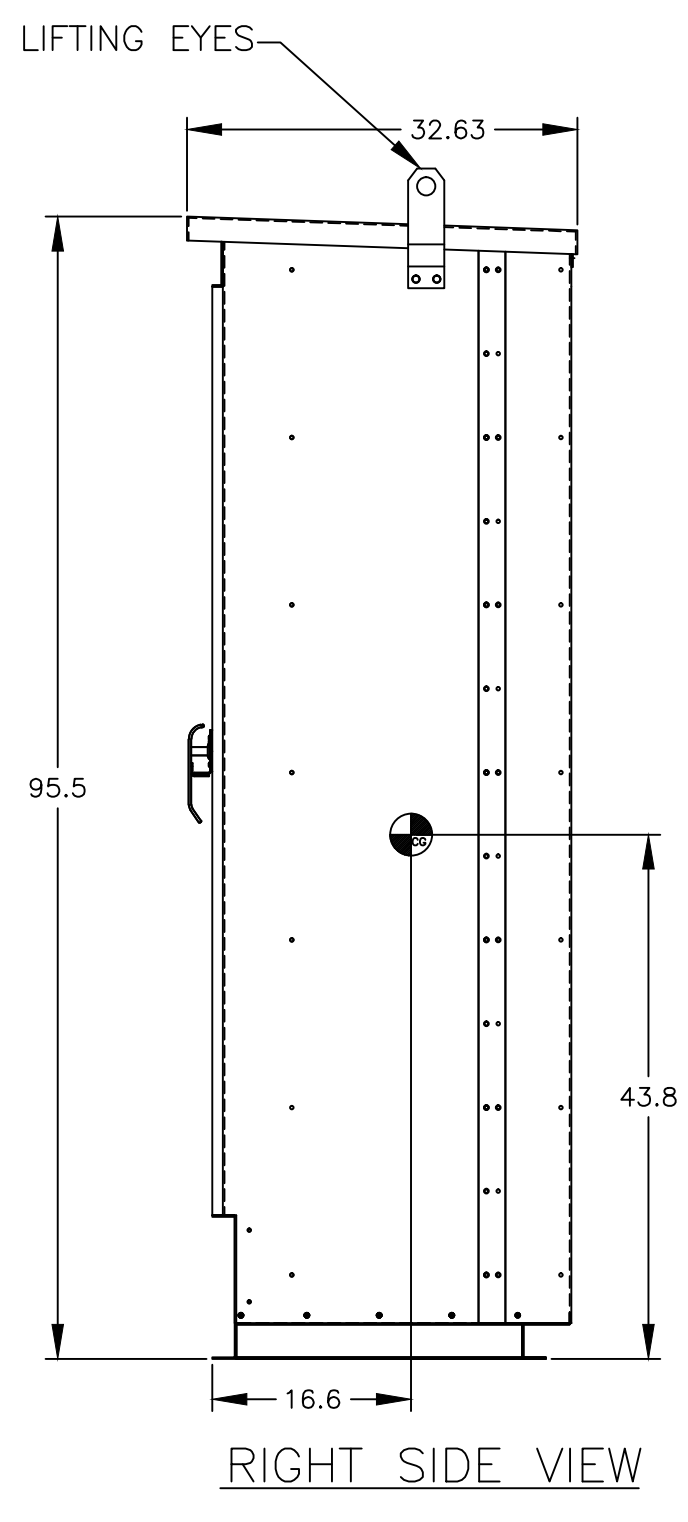


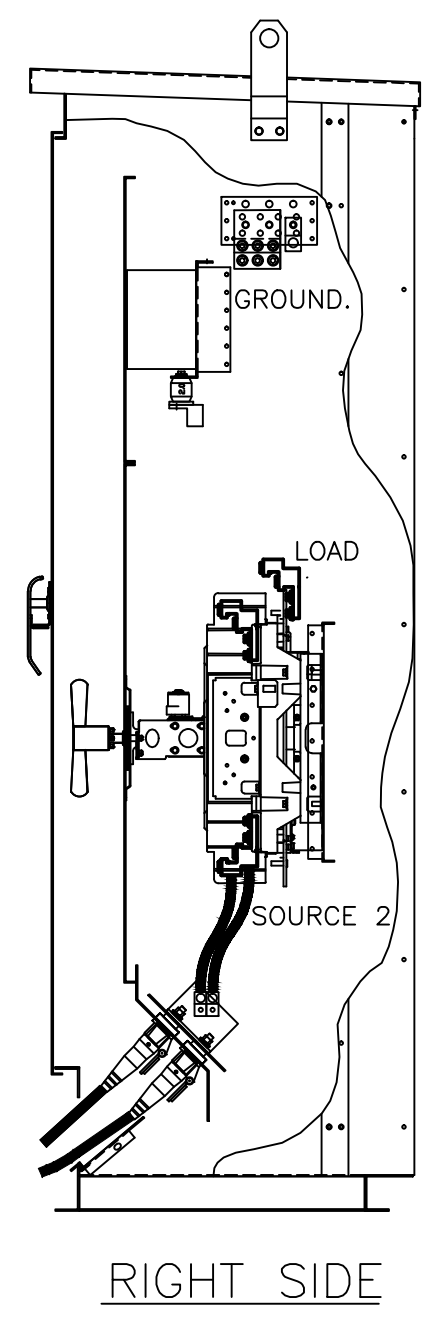
TOP VIEW



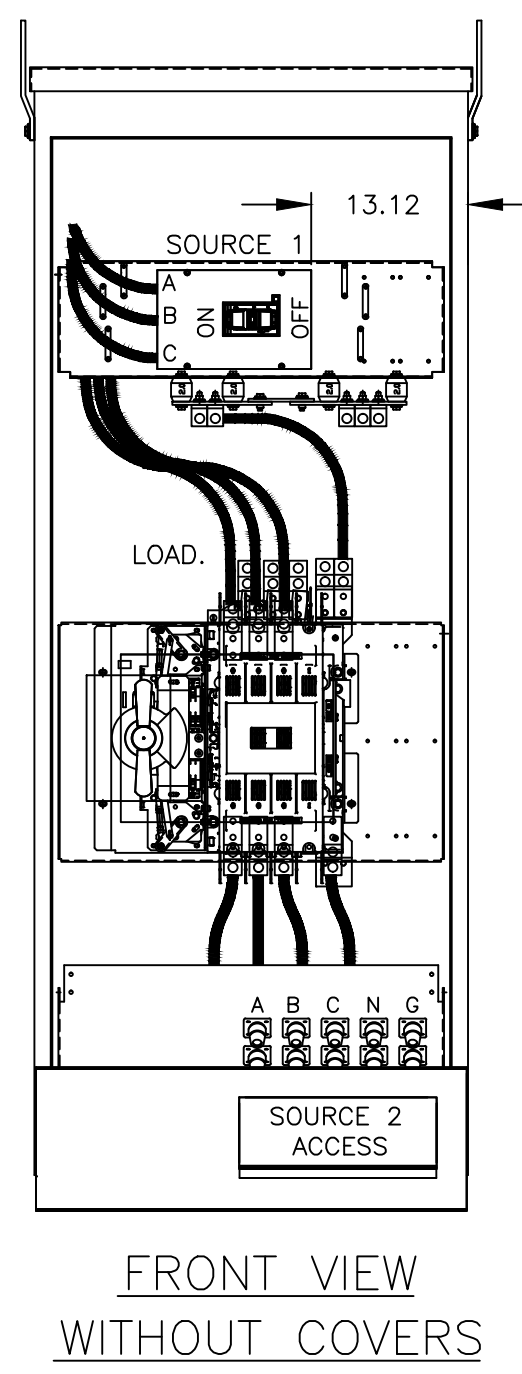
FRONT VIEW



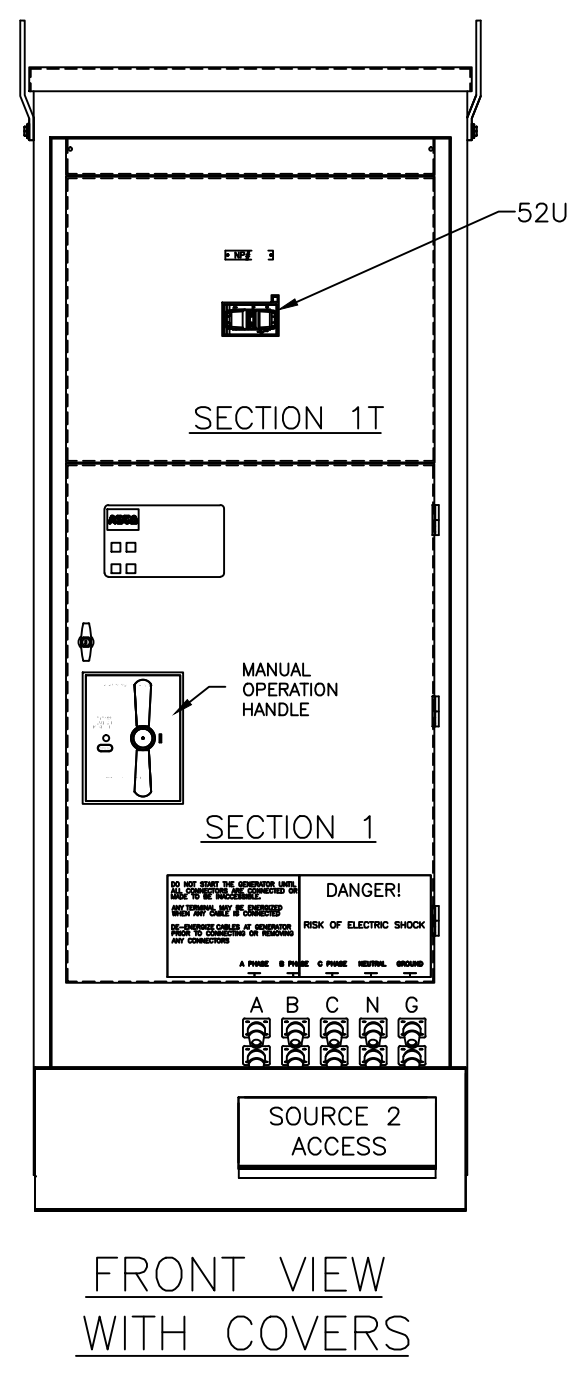
RIGHT SIDE VIEW



RIGHT SIDE



FRONT VIEW WITHOUT COVERS



FRONT VIEW WITH COVERS

GENERAL NOTES

1. TYPE 3R ENCLOSURE. FREE STANDING. FLOOR MOUNTED. CODE GAUGE STEEL.
2. EXTERIOR DOORS HAVE PADLOCKABLE HANDLE WITH 3 POINT LATCH.
3. FINISH: TYPE 3R: ANSI 61 GRAY POLYESTER SEMI GLOSS ELECTROSTATIC POWDER.  
TYPE 3RX(R) - EXTERIOR CONSTRUCTED OF CODE GAUGE TYPE 304 STAINLESS STEEL.  
TYPE 3RX(S) - EXTERIOR CONSTRUCTED OF CODE GAUGE TYPE 316 STAINLESS STEEL
4. RECOMMENDED CLEARANCES:  
FRONT: 38 INCHES
5. ALL BUS IS SILVER-PLATED COPPER, BASED ON 1000A PER SQ. IN. DENSITY.
6. A FULL RATED NEUTRAL CONNECTION FOR EACH SOURCE AND THE LOAD IS OPTIONAL. WHEN PROVIDED IT IS IN ONE OF THE FOLLOWING FORMATS AS SPECIFIED BY THE CATALOG NO. NEUTRAL TYPE;  
A. SOLID (COPPER BUS) NEUTRAL.  
B. SWITCH (COPPER BUS) NEUTRAL.
7. DESIGNED FOR FRONT ACCESS
8. FOR SPECIFIED TRANSFER SWITCH, REFER TO OPERATOR'S MANUAL PROVIDED WITH UNIT.
9. LIFTING PLATES: SECTIONS ARE SUPPLIED WITH LIFTING PLATES.  
INSPECT PLATES FOR DAMAGE AND TORQUE BOLTS TO 45 FT LBS BEFORE USE.  
REFER TO ANSI/NEMA PB 2.1 FOR PROPER HANDLING OF EQUIPMENT.  
AFTER INSTALLATION OF SECTION, REMOVE LIFTING PLATES.  
REINSTALL BOLTS INTO EXTERIOR HOLES AND TORQUE TO APROX. 20 FT LBS.
10. SECTION 1 & SECTION 1T SHIP AS 1 UNIT.
11. CENTER OF GRAVITY.
12. APPROXIMATE WEIGHT: 1004 LBS

SPECIFICATIONS

1. SYSTEM RATING: 450 AMPS, 500 AMPS, 600 AMPS, 3 $\phi$ , 4W OR 1 $\phi$ , 3W.  
SHORT CIRCUIT RATING- SOURCE 1: 50,000 RMS SYM AMPERES @ 480V, 65,000 RMS SYM AMPERES @ 240V  
SOURCE 2: 22,000 RMS SYM AMPERES @ 480V
2. NEUTRAL BUS: 100% RATED.
3. GROUND BUS: 20% RATED.
4. APPLICABLE LABELS: U.L. 1008, U.L. 891, SUITABLE ONLY FOR USE AS SERVICE EQUIPMENT.

TERMINATIONS 450-600 AMPS

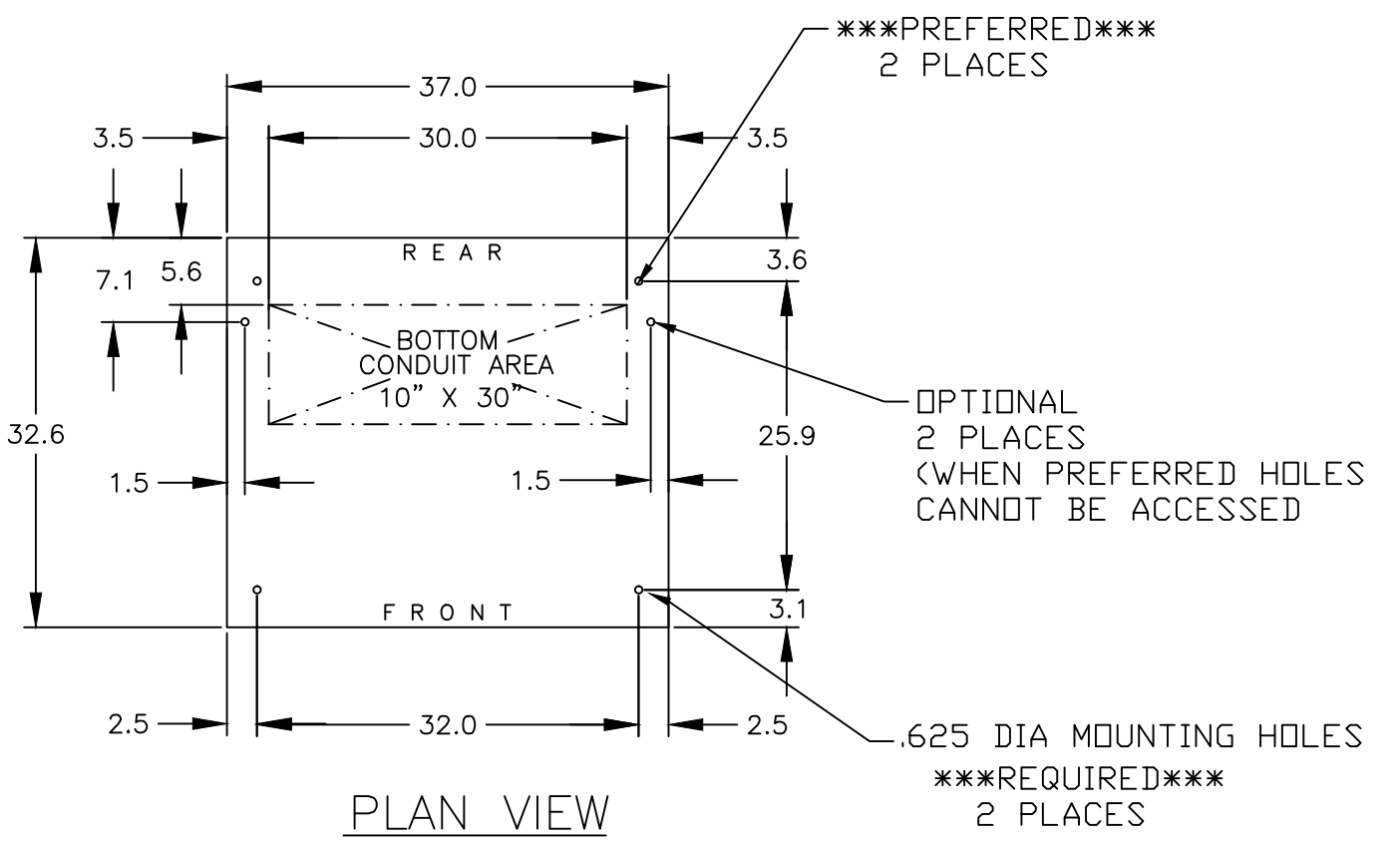
1. SUPPLIED WITH MECHANICAL (SCREW TYPE) LUGS FOR CU/AL CABLE.  
NORMAL: (2) 3/0 AWG - 500MCM PER PHASE & NEUTRAL  
LOAD: (2) #2 AWG - 600MCM PER PHASE & NEUTRAL  
SOURCE 2: (2) 1016 SERIES SINGLE POLE CAM LOCK MALE RECEPTALS PER PHASE & NEUTRAL  
GROUND: (6) 1/0 -600MCM

SUITABLE WIRE BENDING SPACE IS PROVIDED AS PER THE NEC

2. OPTIONAL LUGS MAY BE SUPPLIED.

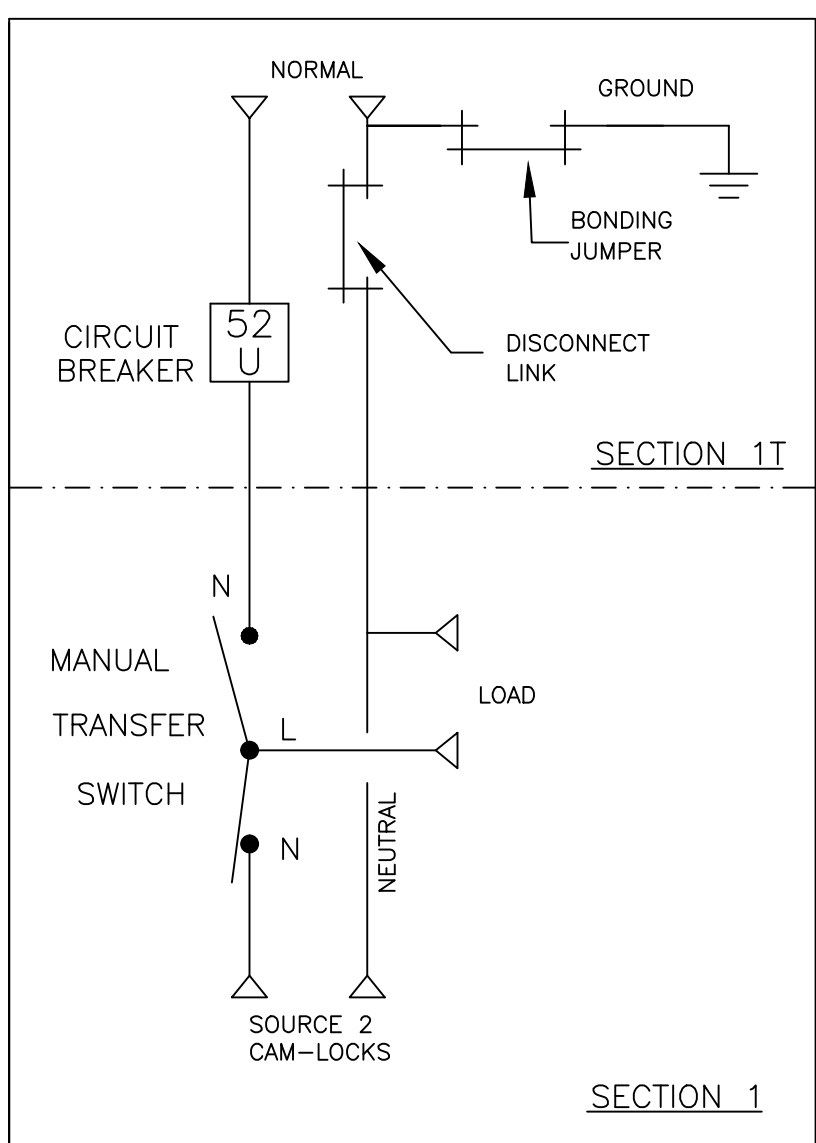
CIRCUIT BREAKER: ITEM 52U

SQUARE "D" 80% RATED, TYPE 'MJL', 800AF/4500AT, 800AF/500AT, 800AF/600AT MOLDED CASE, ELECTRONIC TRIP.



PLAN VIEW

ONE LINE DIAGRAM



(WITH SOLID NEUTRAL)

A	269192	BCG	RN	9/26/17
	267472	LY	RN	3/6/17
		ISSUE		
REV. TO SHEET	ECN NO.	BY	APP.	DATE
PROJECT NAME:		MOUNTING		
JMUQ 450A - 600A, MJL SE BRKR ON NORMAL,CAMLOCKS ON SOURCE 2				
TYPE 3R/3RX 96 X 37 X 33 SECTION 1 & 1T				
BY	DATE	MANUFACTURING TOLERANCES TO BE IN ACCORDANCE WITH ASCO PROCEDURE MP-1-003. FOR PLASTIC PARTS SEE MP-1-035	ASSEM. REF. NO.	COMPUTER GENERATED DRAWING
DRAWN BY	LY	3/6/17		SCALE 1/16" = 1" SIZE DS
CHECKED	RN			DWG. NO. 977101-001
PROJECT APPROVAL				DRAWING A
FINAL APPROVAL				ECN 269192 SHEET 1 OF 1

ASCO POWER TECHNOLOGIES, L.P.  
FLORHAM PARK, NEW JERSEY 07932 U.S.A.