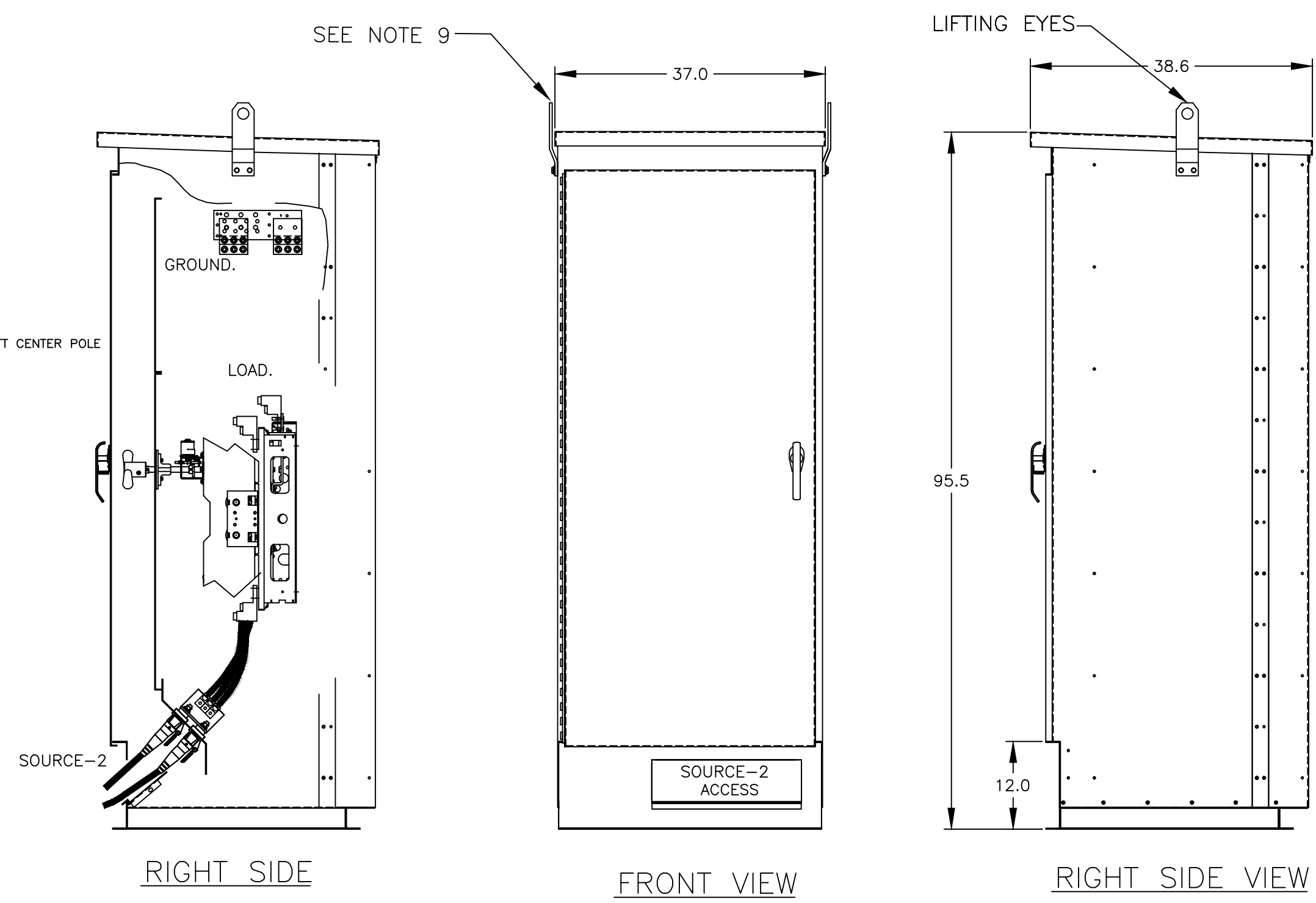


TOP VIEW



RIGHT SIDE

FRONT VIEW

RIGHT SIDE VIEW

- ### GENERAL NOTES
- TYPE 3R ENCLOSURE. FREE STANDING. FLOOR MOUNTED. CODE GAUGE STEEL.
  - EXTERIOR DOORS HAVE PADLOCKABLE HANDLE WITH 3 POINT LATCH.
  - FINISH: TYPE 3R: ANSI 61 GRAY POLYESTER SEMI GLOSS ELECTROSTATIC POWDER.  
TYPE 3RX(R) - EXTERIOR CONSTRUCTED OF CODE GAUGE TYPE 304 STAINLESS STEEL.  
TYPE 3RX(S) - EXTERIOR CONSTRUCTED OF CODE GAUGE TYPE 316 STAINLESS STEEL
  - RECOMMENDED CLEARANCES:  
FRONT: 38 INCHES
  - ALL BUS IS SILVER-PLATED COPPER, BASED ON 1000A PER SQ. IN. DENSITY.
  - A FULL RATED NEUTRAL CONNECTION FOR EACH SOURCE AND THE LOAD IS OPTIONAL. WHEN PROVIDED IT IS IN ONE OF THE FOLLOWING FORMATS AS SPECIFIED BY THE CATALOG NO. NEUTRAL TYPE;  
A. SOLID (COPPER BUS) NEUTRAL.  
B. SWITCH (COPPER BUS) NEUTRAL.
  - DESIGNED FOR FRONT ACCESS
  - FOR SPECIFIED TRANSFER SWITCH, REFER TO OPERATOR'S MANUAL PROVIDED WITH UNIT.
  - LIFTING PLATES: SECTIONS ARE SUPPLIED WITH LIFTING PLATES.  
INSPECT PLATES FOR DAMAGE AND TORQUE BOLTS TO 45 FT LBS BEFORE USE.  
REFER TO ANSI/NEMA PB 2.1 FOR PROPER HANDLING OF EQUIPMENT.  
AFTER INSTALLATION OF SECTION, REMOVE LIFTING PLATES.  
REINSTALL BOLTS INTO EXTERIOR HOLES AND TORQUE TO APROX. 20 FT LBS.
  - SECTION 1 & SECTION 1T SHIP AS 1 UNIT.

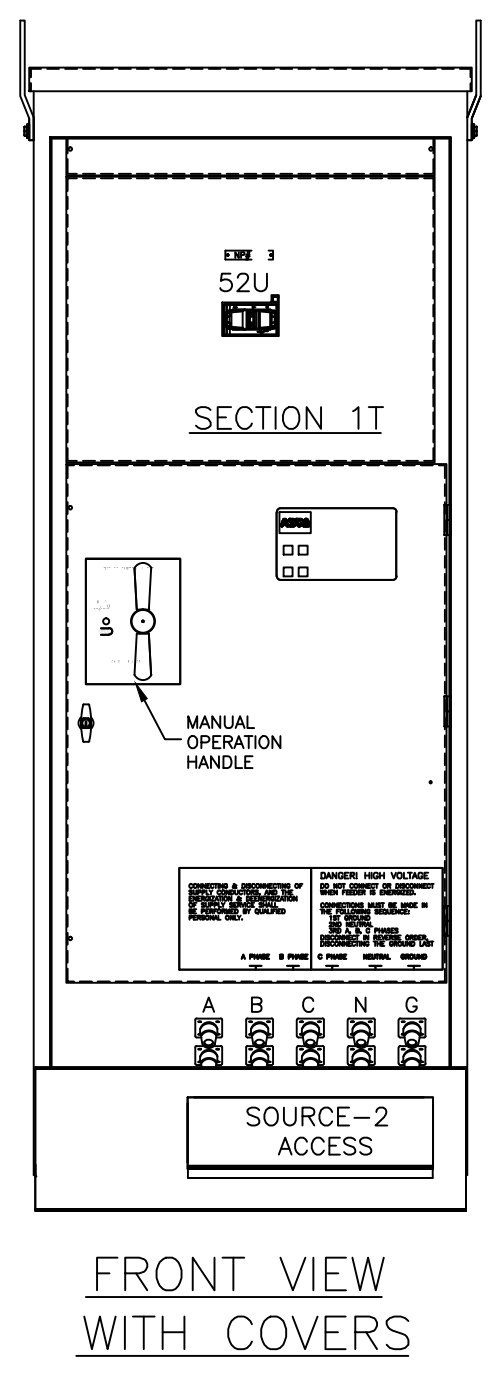
- ### SPECIFICATIONS
- SYSTEM RATING: 600-800 AMPS, 3 $\phi$ , 4W OR 1 $\phi$ , 3W.  
SHORT CIRCUIT RATING- SOURCE-1: 65,000 RMS SYM AMPERES @ 480V.  
SOURCE-2: 22,000 RMS SYM AMPERES @ 480V
  - NEUTRAL BUS: 100% RATED.
  - GROUND BUS: 20% RATED.
  - APPLICABLE LABELS: U.L. 891

- ### TERMINATIONS 600 AMPS
- SUPPLIED WITH MECHANICAL (SCREW TYPE) LUGS SUITABLE FOR CU/AL CABLE .  
NORMAL: (2) 3/0 AWG - 500MCM PER PHASE & NEUTRAL  
LOAD: (2) #2 AWG - 600MCM PER PHASE & NEUTRAL  
SOURCE 2: (2) 1016 SERIES SINGLE POLE CAM LOCK MALE RECEPTICALS  
GROUND: (6) 1/0 -600MCM  
  
SUITABLE WIRE BENDING SPACE IS PROVIDED AS PER THE NEC
  - CONSULT FACTORY FOR OTHER TERMINATION REQUIREMENTS.

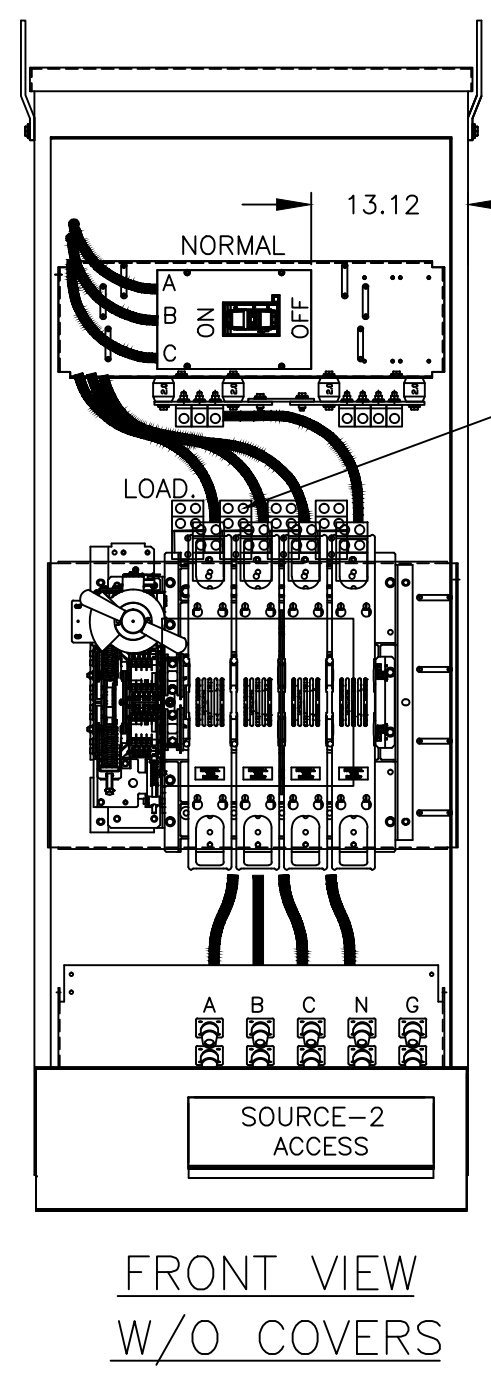
- ### TERMINATIONS 800 AMPS
- SUPPLIED WITH MECHANICAL (SCREW TYPE) LUGS SUITABLE FOR CU/AL CABLE .  
NORMAL: (3) 3/0 AWG - 500MCM PER PHASE & NEUTRAL  
LOAD: (4) #2 AWG - 600MCM PER PHASE & NEUTRAL  
SOURCE 2: (2) 1016 SERIES SINGLE POLE CAM LOCK MALE RECEPTICALS  
GROUND: (12) 1/0 -600MCM  
  
SUITABLE WIRE BENDING SPACE IS PROVIDED AS PER THE NEC
  - CONSULT FACTORY FOR OTHER TERMINATION REQUIREMENTS.

### CIRCUIT BREAKER: ITEM 52U

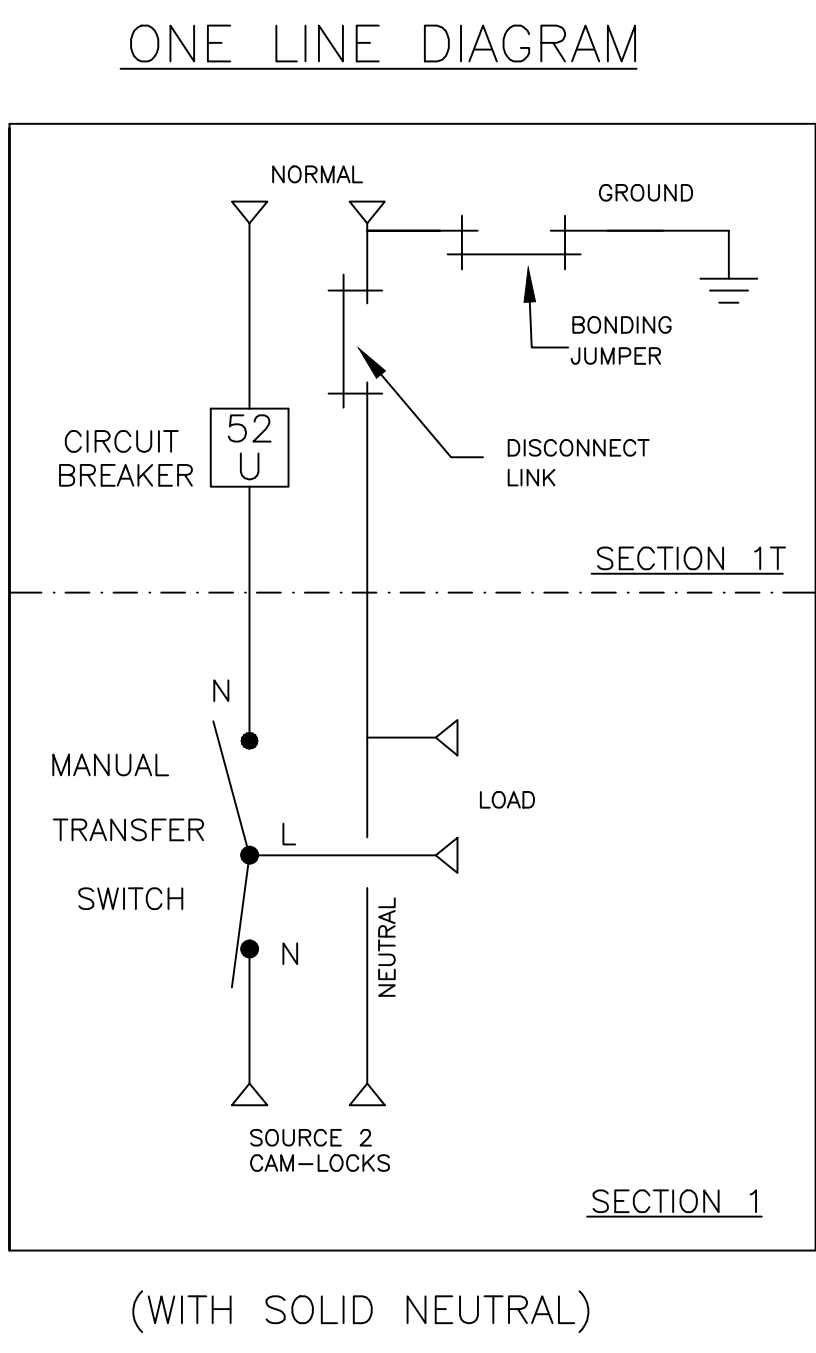
SQUARE "D" 80% RATED, TYPE 'M'JL', 800AF/800AT, 800AF/700AT, 800AF/600AT MOLDED CASE, ELECTRONIC TRIP.



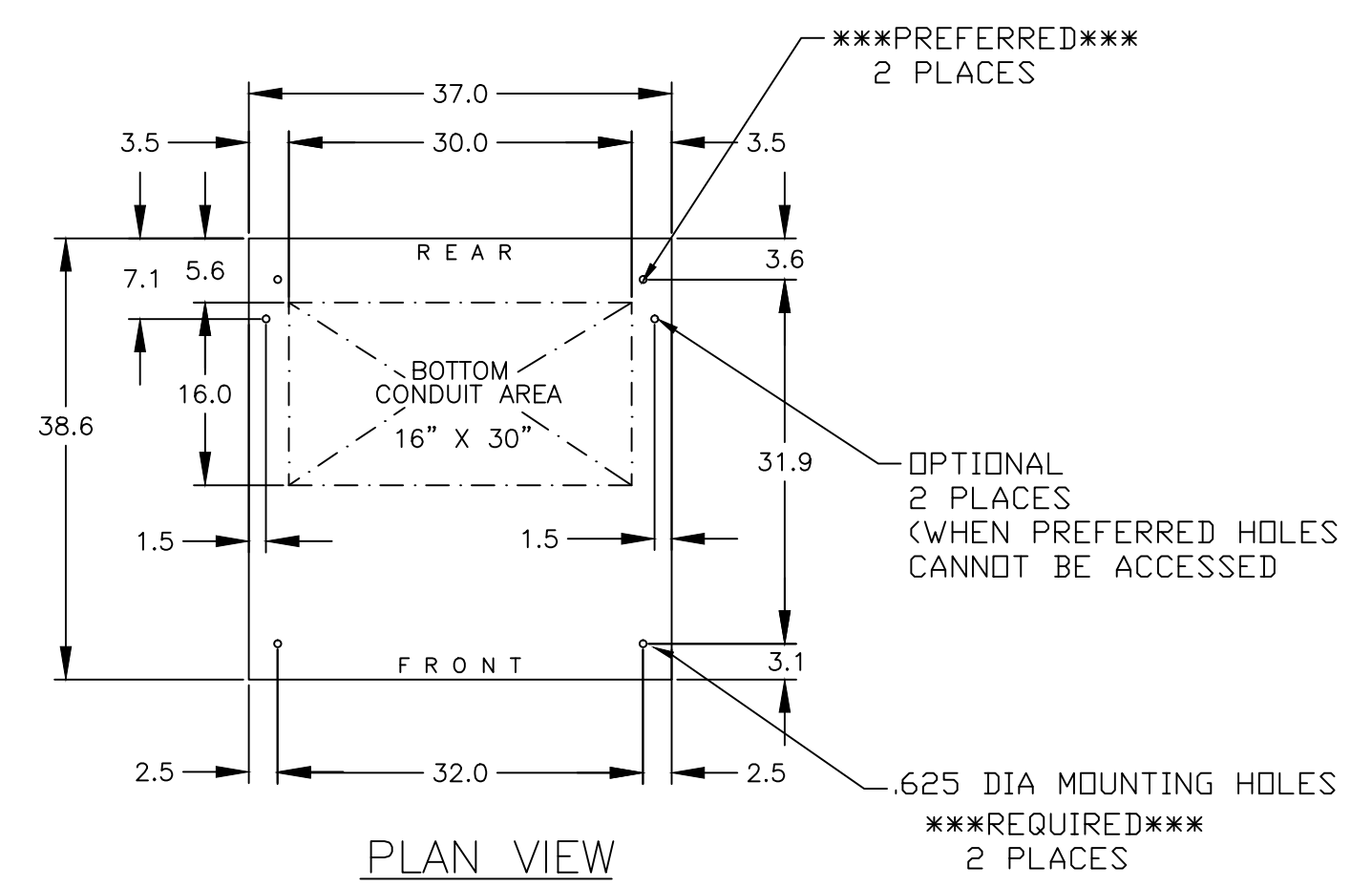
FRONT VIEW WITH COVERS



FRONT VIEW W/O COVERS



(WITH SOLID NEUTRAL)



PLAN VIEW

PROJECT NAME:		263472	LY	RN	3/6/17
REV. TO SHEET	ISSUE	ECN NO.	BY	APP.	DATE
OUTLINE		MOUNTING			
HMUQ 600-800A, MJL SE BRKR ON NORMAL,CAMLOCKS ON SOURCE 2					
TYPE 3R/3RX 96 X 37 X 33 SECTION 1 & 1T					
BY	DATE	MANUFACTURING TOLERANCES TO BE IN ACCORDANCE WITH ASCO PROCEDURE MP-1-003. FOR PLASTIC PARTS SEE MP-1-005		ASSEM. REF. NO.	COMPUTER GENERATED DRAWING
DRAWN BY	LY	3/6/17			SCALE 1/16" = 1" SIZE DS
CHECKED	RN	PROPERTY OF ASCO POWER TECHNOLOGIES. USE PERMITTED FOR OUR WORK ONLY. ALL RIGHTS OF DESIGN OR INVENTION ARE RESERVED.		DWG. NO.	
PROJECT APPROVAL				977102-001	
FINAL APPROVAL		ASCO® ASCO POWER TECHNOLOGIES, L.P. FLOHAM PARK, NEW JERSEY 07932 U.S.A.		DRAWING REV. - ECN NO. 267472	SHEET 1 OF 1