


OUTLINE FOR ASCO® S7000 SERIES 800-2000 AMPERE "S" FRAME (ATS,ACTS,ADTS) REAR CONNECTED TRANSFER SWITCHES TYPE 1 ENCLOSURE

GENERAL NOTES

- TYPE 1 ENCLOSURE. FREE STANDING. FLOOR MOUNTED. CODE GAUGE FORMED FRAME CONSTRUCTION.
- NEC STANDARD GAUGE PAN TYPE DOOR WITH LOCKABLE HANDLE.
- FINISH: ANSI 61 GRAY, POLYESTER POWDER STANDARD. OTHER ANSI COLORS AVAILABLE CONSULT FACTORY UL RECOGNIZED.
- CONSTRUCTION IS IN ACCORDANCE WITH APPLICABLE REQUIREMENTS OF UL 1008.
- RECOMMENDED CLEARANCES:
FRONT: 36 INCHES
REAR: 36 INCHES
- A 20% RATED GROUND BUS IS PROVIDED.
- UNIT IS DESIGNED FOR COMBINATION TOP AND BOTTOM CABLE ENTRY. THE STANDARD SWITCH CONFIGURATION IS FOR TOP LUGS EMERGENCY CENTER LUGS LOAD AND BOTTOM LUGS NORMAL. OPTIONALLY, THE SWITCH MAY BE SUPPLIED WITH REVERSE NORMAL & EMERGENCY LUGS. (REFER TO THE WIRING DIAGRAM FURNISHED WITH EACH TRANSFER SWITCH TO DETERMINE TERMINATION POSITIONS).
- NEUTRAL CONFIGURATIONS:
AN OPTIONAL FULL RATED NEUTRAL CONFIGURATION FOR EACH SOURCE AND THE LOAD MAY BE PROVIDED. WHEN EQUIPPED IT IS IN ONE OF THE FOLLOWING FORMATS AS SPECIFIED BY THE CATALOG NUMBER NO. NEUTRAL TYPE:
(A) SOLID (COPPER BUS) NEUTRAL
(B) SWITCHED NEUTRAL POLE
-  CENTER OF GRAVITY
- NO KNOCKOUTS ARE PROVIDED.

| SERIES | CATALOG PREFIX |
|--------|----------------|
| 7000 | 7ATS |
| | 7NTS |
| | 7ACTS |
| | 7NCTS |
| | 7ADTS |
| | 7NDTS |

CABLING NOTES

- ALL SIZES SUPPLIED STANDARD WITH MECHANICAL (SCREW TYPE) LUGS. (SEE AMP SIZE BELOW)
A. LUG MATERIAL: ALUMINUM ALLOY 6061-T6 WITH ELECTRO TIN PLATED FINISH.
B. SCREW MATERIAL: ALUMINUM ALLOY 6262-T9 WITH ELECTRO TIN PLATED FINISH.
C. UL LISTED, CSA CERTIFIED.
D. LUG SCREW TIGHTENING TORQUE PER UL 486B: 375 IN-LBS.
- CONSULT FACTORY FOR OTHER TERMINATION REQUIREMENTS.
- GROUND LUGS ARE PROVIDED STANDARD AS FOLLOWS. (SEE AMP SIZE BELOW).
- CUSTOMER TERMINAL BLOCKS:
FOR ALL 7000 SERIES UNITS THE TB WILL BE MOUNTED ON THE UPPER RIGHT INSIDE OF ENCLOSURE.

NOTES 800-1200 AMPS

- SUPPLIED WITH STANDARD MECHANICAL (SCREW TYPE) LUGS ON THE NORMAL, EMERGENCY & LOAD BUS STABS. ONE (1) LUG PER PHASE AND NEUTRAL EACH SUITABLE FOR CONNECTION OF FOUR (4) 1/0 - 750MCM CU/AL CABLE (SEE NOTE "A" BELOW).
A. SUITABLE WIRE BENDING SPACE IS PROVIDED FOR UP TO FOUR (4) 600MCM CABLES PER TERMINAL PER NEC.
- OPTIONAL COPPER CRIMP LUGS MAY BE SUPPLIED. UP TO FOUR (4) TWO HOLE, LONG BARREL CU CRIMP LUGS RATED FOR UP TO 600MCM. (REFER TO CRIMP LUG INSTALLATION DATA PROVIDED WITH UNIT FOR FULL INSTALLATION DETAILS). (SEE NOTE "B" BELOW).
B. SUITABLE WIRE BENDING SPACE IS PROVIDED FOR UP TO FOUR (4) 600MCM CABLES PER TERMINAL PER NEC.
- GROUND LUGS ARE PROVIDED STANDARD AS FOLLOWS:
(12) 1/0 - 750MCM CU/AL CABLE

NOTES 1600-2000 AMPS

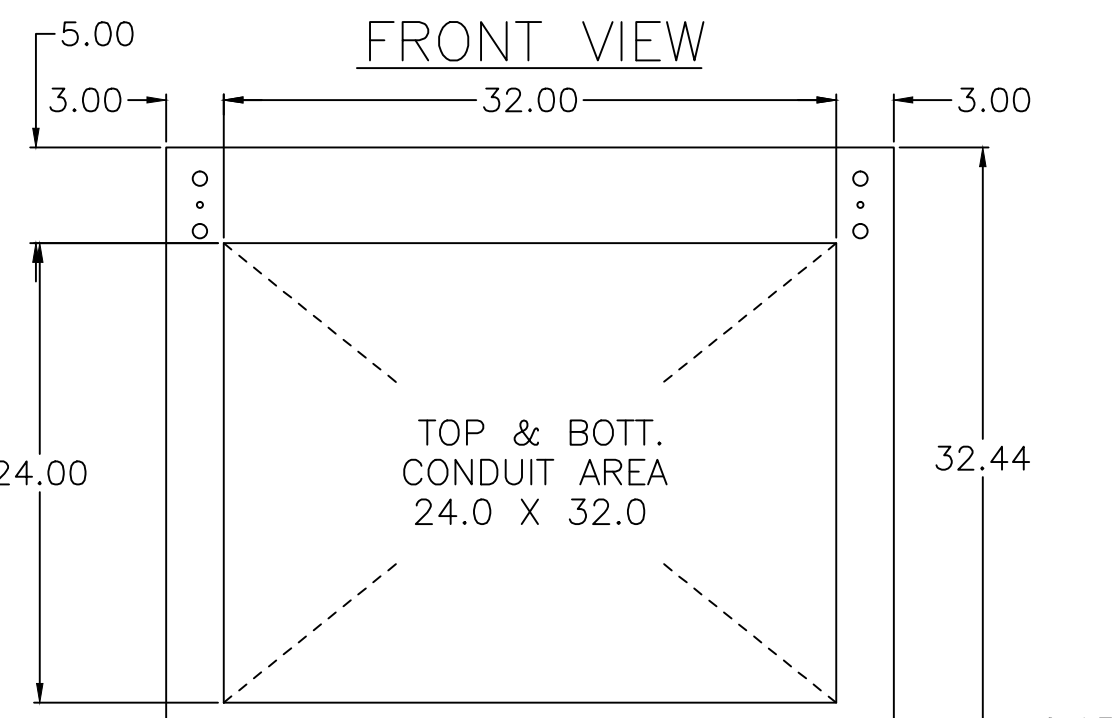
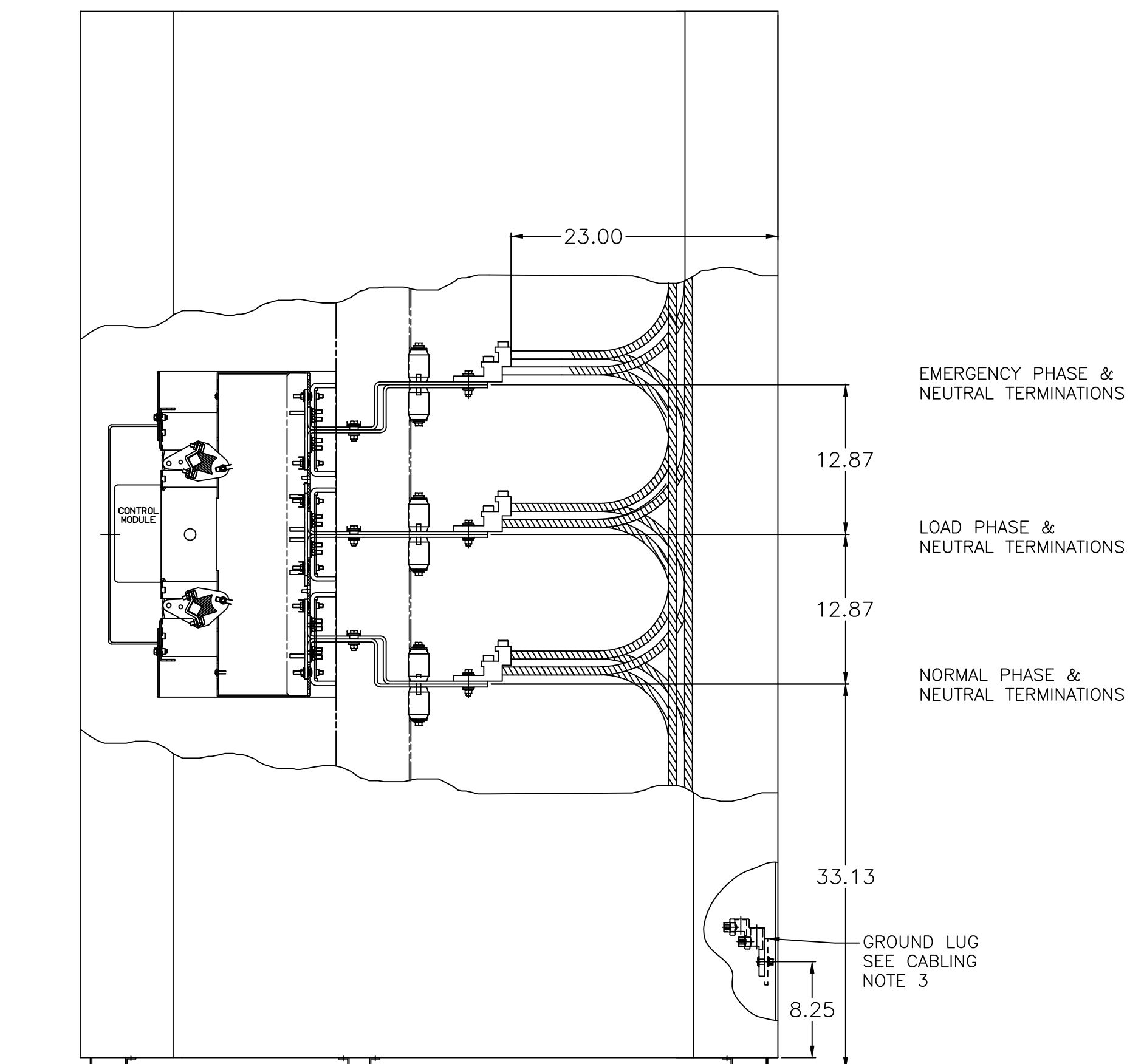
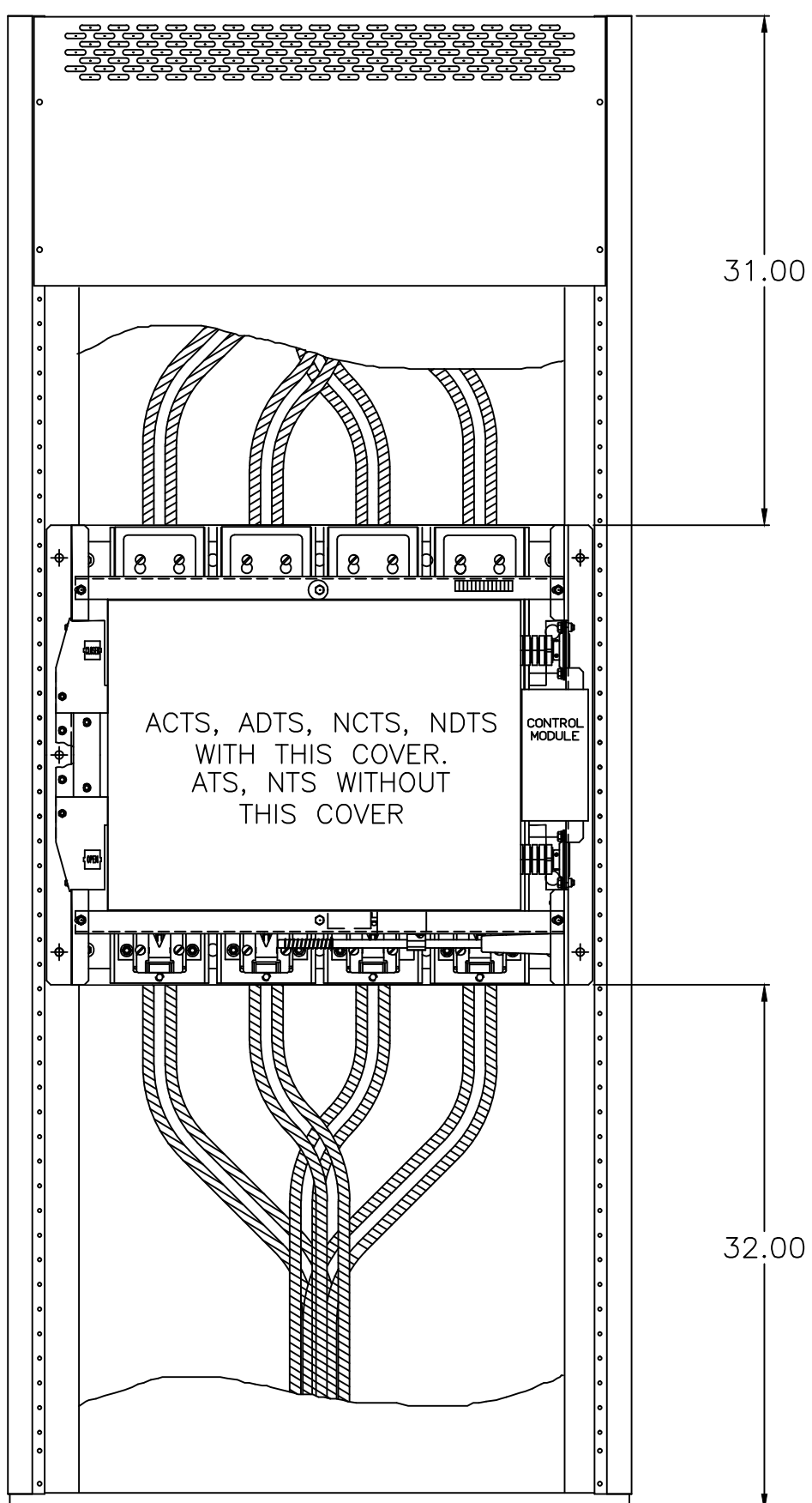
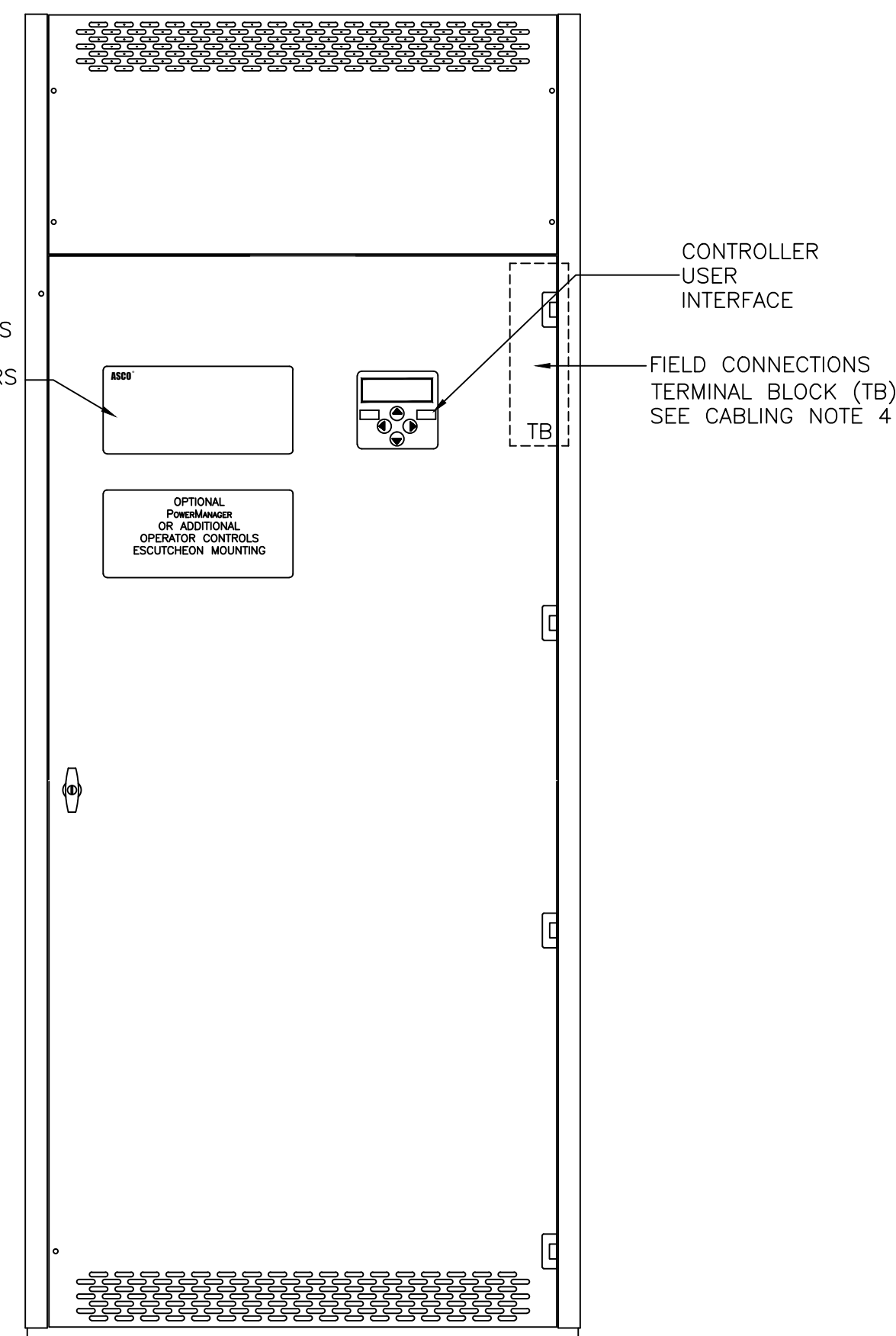
- SUPPLIED WITH STANDARD MECHANICAL (SCREW TYPE) LUGS ON THE NORMAL, EMERGENCY & LOAD BUS STABS. ONE (1) LUG PER PHASE AND NEUTRAL EACH SUITABLE FOR CONNECTION OF SIX (6) 1/0 - 750MCM CU/AL CABLE (SEE NOTE "C" BELOW).
C. SUITABLE WIRE BENDING SPACE IS PROVIDED FOR UP TO SIX (6) 600MCM CABLES PER TERMINAL PER NEC.
- OPTIONAL COPPER CRIMP LUGS MAY BE SUPPLIED. UP TO SIX (6) TWO HOLE, LONG BARREL CU CRIMP LUGS RATED FOR UP TO 600MCM. (REFER TO CRIMP LUG INSTALLATION DATA PROVIDED WITH UNIT FOR FULL INSTALLATION DETAILS). (SEE NOTE "D" BELOW).
D. SUITABLE WIRE BENDING SPACE IS PROVIDED FOR UP TO SIX (6) 600MCM CABLES PER TERMINAL PER NEC.
- GROUND LUGS ARE PROVIDED STANDARD AS FOLLOWS:
(18) 1/0 - 750MCM CU/AL CABLE

APPROXIMATE SHIPPING WEIGHT, LBS (KG)

| AMP SIZE | POLES | WEIGHTS LB (KG) |
|-------------|-------|-----------------|
| 800 TO 2000 | 3 | 1800 (817) |
| | B3 | 1880 (853) |

| | | | | |
|---|---------|-----|----|----------|
| E | 251864 | DSC | BK | 11/25/14 |
| | SEE ECN | | | |
| D | 240240 | DSC | BK | 12/12/12 |
| | SEE ECN | | | |
| C | 238751 | DJB | BK | 09/12/12 |
| | SEE ECN | | | |
| B | 235927 | DAJ | MM | 03/08/12 |
| | SEE ECN | | | |
| A | 235598 | DLB | MM | 01/31/12 |
| | SEE ECN | | | |
| - | 228966 | BK | WK | 12/20/10 |
| | ISSUED | | | |

| PROJECT NAME: | | REV. TO SHEET | ECN NO. | BY | APP. | DATE |
|-------------------------------------|------|---|---|-----------------|---------------------------------------|--------------|
| OUTLINE | | | | | | |
| S7000 SERIES,ATS,ACTS,ADTS "S"FRAME | | | | | | |
| 800-2000A. | | | | | | |
| BY | DATE | MANUFACTURING TOLERANCES TO BE IN ACCORDANCE WITH ASCO PROCEDURE MP-1-003. FOR PLASTIC PARTS SEE MP-1-005 | | ASSEM. REF. NO. | COMPUTER GENERATED DRAWING | |
| DRAWN BY | DJB | 12/20/10 | | | SCALE | NO. SIZE DS |
| CHECKED | BK | 12/20/10 | PROPERTY OF ASCO POWER TECHNOLOGIES. USE PERMITTED FOR OUR WORK ONLY. ALL RIGHTS OF DESIGN OR INVENTION ARE RESERVED. | | DWG. NO. | |
| PROJECT APPROVAL | WK | 12/20/10 | | | 907770 | |
| FINAL APPROVAL | | | | | ASCOS | |
| | | | ASCOS POWER TECHNOLOGIES, L.P. | | FLORHAM PARK, NEW JERSEY 07932 U.S.A. | |
| | | | DRAWING E | | ECN NO. 251864 | SHEET 1 OF 1 |



FRONT VIEW WITH DOOR REMOVED

RIGHT SIDE VIEW

