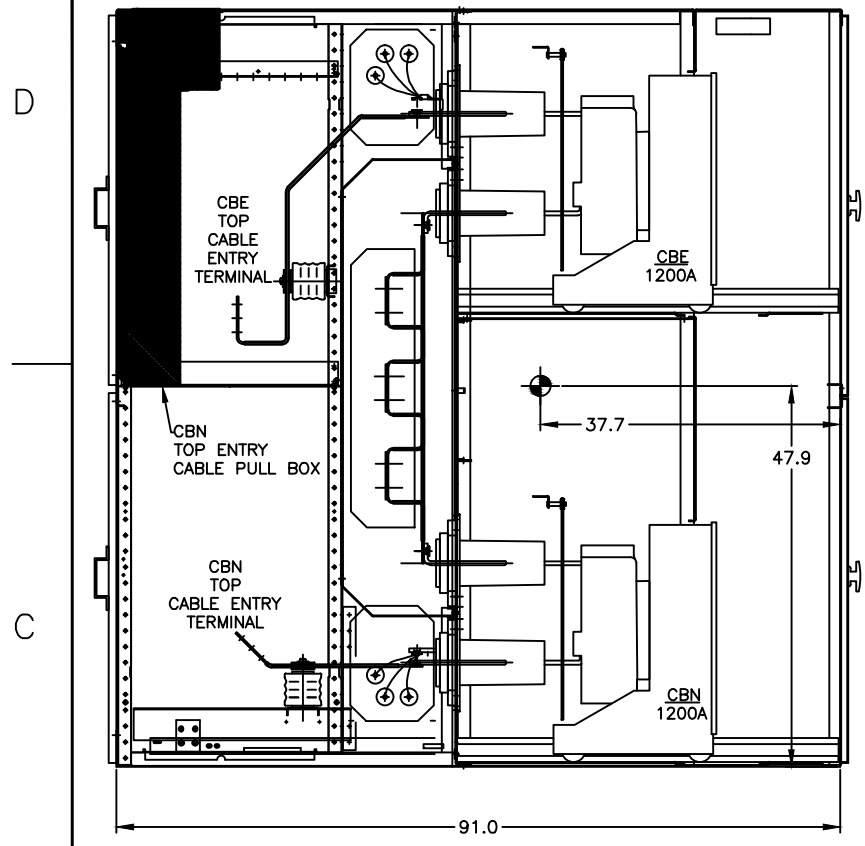
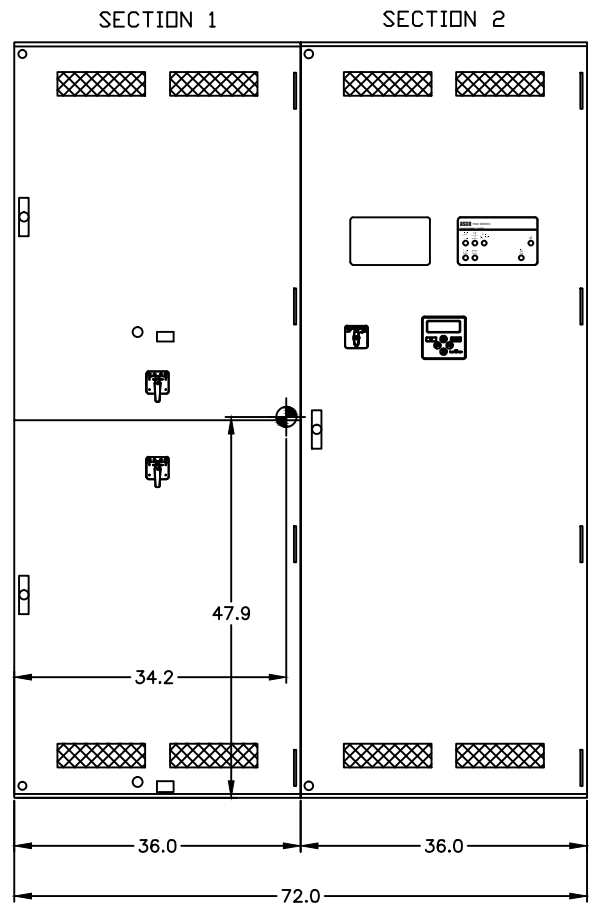


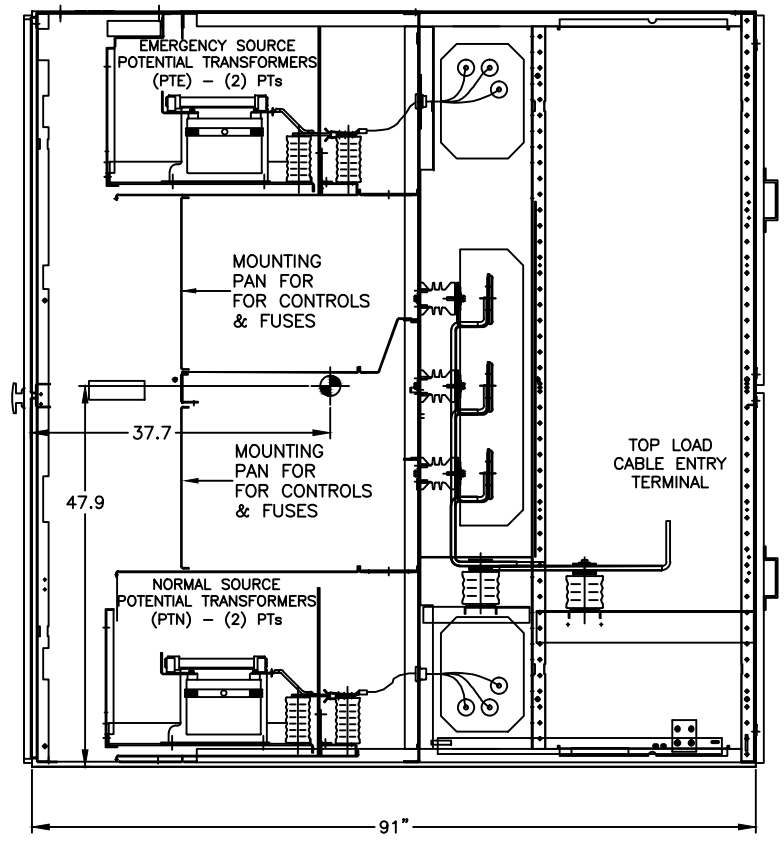
OUTLINE FOR ASCO® 7000 SERIES MEDIUM VOLTAGE TRANSFER SYSTEMS RATED 5kV & 15kV, 1200 AMPS, 3 PHASE/3 WIRE, TYPE 1 ENCLOSED



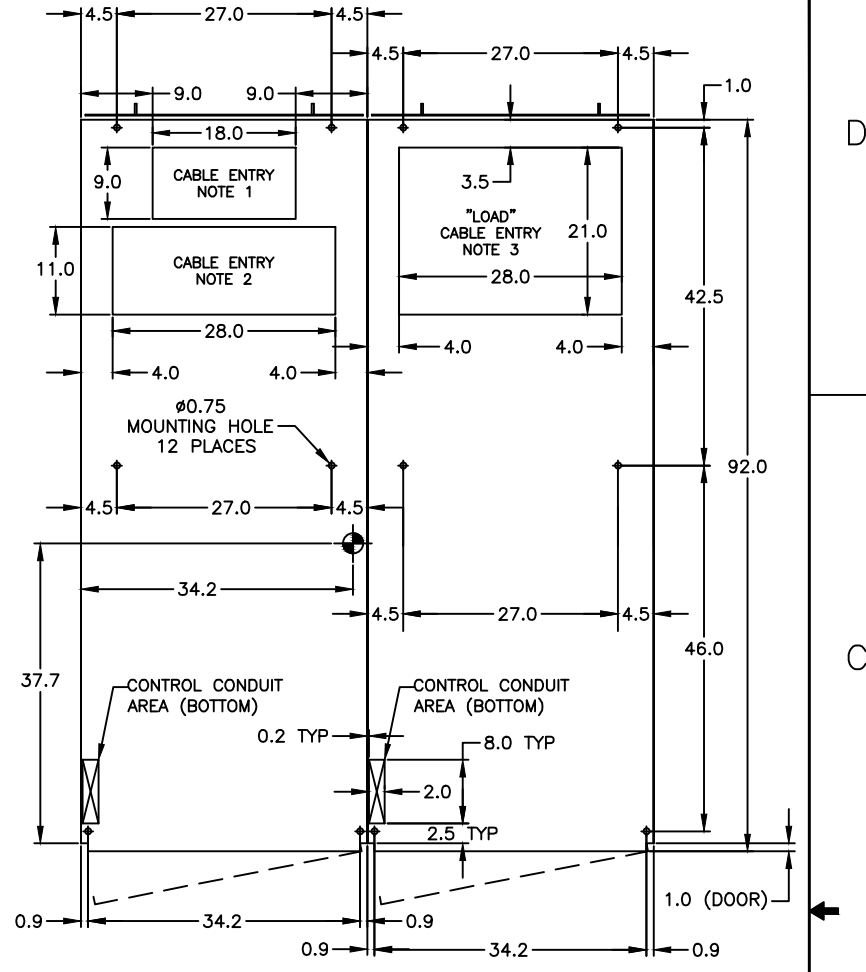
SECTION 1 VIEW  
CIRCUIT BREAKER SECTION  
TOP NORMAL/TOP EMERGENCY  
CABLE ENTRY SHOWN.  
REFER TO SHEET 2 FOR  
ALTERNATE CABLE ENTRIES



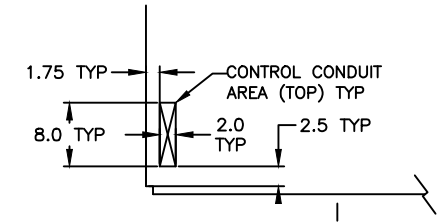
SECTION 1  
FRONT ELEVATION



SECTION 2 VIEW  
AUXILIARY SECTION  
TOP LOAD CABLE ENTRY SHOWN.  
REFER TO SHEET 2 FOR  
ALTERNATE CABLE ENTRIES



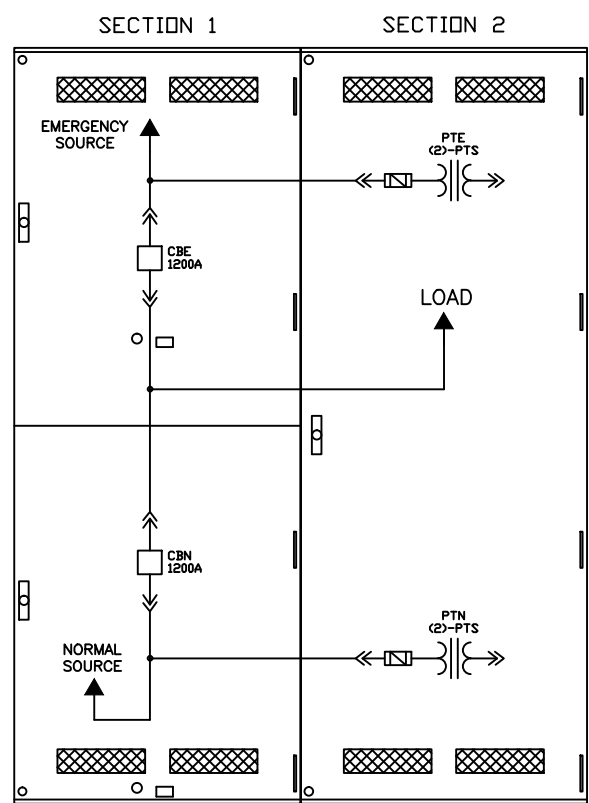
SECTION 1  
SECTION 2  
PLAN VIEW



- CABLE ENTRY NOTES:**
- PULL BOX CABLE ENTRY FOR BOTTOM ENTRY TO CBE (EMERGENCY) OR TOP ENTRY TO CBN (NORMAL).
  - CABLE ENTRY FOR BOTTOM ENTRY TO CBN (NORMAL) OR TOP ENTRY TO CBE (EMERGENCY).
  - TOP OR BOTTOM CABLE ENTRY TO LOAD TERMINALS.
  - TOP OR BOTTOM CABLE ENTRY IS DETERMINED AT TIME OF ORDER AND EFFECTS TERMINATION ORIENTATION.

**GENERAL NOTES:**

- LISTED TO UNDERWRITERS LABORATORY STANDARD UL 1008A, STANDARD FOR TRANSFER SWITCH EQUIPMENT OVER 600 VOLTS. REFER TO PRODUCT MARKING FOR SHORT-CIRCUIT CURRENT RATINGS.
- TYPE 1 ENCLOSED, METAL-CLAD, DRAW-OUT SWITCHGEAR RATED 5 kV OR 15 kV AS SPECIFIED. INDIVIDUALLY GROUNDED, COMPARTMENTALIZED, STEEL STRUCTURES CONFORMING TO ANSI C37.20.2
- SQUARE-D, 1200 AMP TYPE VR DRAW-OUT VACUUM CIRCUIT BREAKERS WITH MVA RATINGS AS SPECIFIED.
- FINISH: ANSI 61 GRAY, POLYESTER POWDER.
- REQUIRED CLEARANCES:  
FRONT AISLE: 72.0 INCHES (64.0 INCHES MINIMUM)  
REAR AISLE: 36.0 INCHES
- PROVIDED WITH TOP AND/OR BOTTOM CABLE ENTRANCE FOR NORMAL SOURCE, EMERGENCY SOURCE, AND LOAD AS SPECIFIED.



PROJECT NAME:		TYPE 1		REV. TO SHEET	ECN NO.	BY	APP.	DATE
OUTLINE		TYPE 1		238035	SDH	SDH		7/17/12
ASCO 7000 SERIES MEDIUM VOLTAGE TRANSFER SYSTEMS		5 kV & 15 kV, 1200 AMPS, 3PH/3W		SEE ECN	237178	SDH	SDH	5/17/12
DRAWN BY		DATE	MANUFACTURING TOLERANCES TO BE IN ACCORDANCE WITH ASCO PROCEDURE MP-1-003. FOR PLASTIC PARTS SEE MP-2-003.	ASSEM. REF. NO.	COMPUTER GENERATED DRAWING			
CHECKED			PROPERTY OF ASCO POWER TECHNOLOGIES. USE PERMITTED FOR OUR WORK ONLY. ALL RIGHTS OF DESIGN OR INVENTION ARE RESERVED.	DWG. NO.	SCALE	12	SIZE	DS
PROJECT APPROVAL				943216				
FINAL APPROVAL		SDH	5/17/12	ASCO	ASCO POWER TECHNOLOGIES, L.P.		FLORHAM PARK, NEW JERSEY 07932 U.S.A.	
				DRAWING NO.	ECN NO.	238035	SHEET 1 OF 2	

