

8 7 6 5 4 3 2 1

GENERAL NOTES

- TYPE 3R ENCLOSURE. FREE STANDING. FLOOR MOUNTED. CODE GAUGE FORMED STEEL FRAME CONSTRUCTION.
- FRONT DOOR HAS A STAINLESS STEEL, PADLOCKABLE HANDLE.
- FINISH: TYPE 3R: ANSI 61 GRAY POLYESTER SEMI GLOSS ELECTROSTATIC POWDER.
TYPE 3RX (R): EXTERIOR CONSTRUCTED OF CODE GAUGE TYPE 304 STAINLESS STEEL.
TYPE 3RX (S): EXTERIOR CONSTRUCTED OF CODE GAUGE TYPE 316 STAINLESS STEEL.
- RECOMMENDED CLEARANCES:
FRONT: 38 INCHES REAR: 36 INCHES
- ALL BUS IS SILVER-PLATED COPPER, BASED ON 1000A PER SQ. IN. DENSITY.
- A FULL RATED NEUTRAL CONNECTION FOR EACH SOURCE AND THE LOAD IS OPTIONAL. WHEN PROVIDED IT IS IN ONE OF THE FOLLOWING FORMATS AS SPECIFIED BY THE CATALOG NO. NEUTRAL TYPE:
A. SOLID (COPPER BUS) NEUTRAL (SHOWN)
B. SWITCHED NEUTRAL POLE
C. OVERLAPPING NEUTRAL POLE (NOT AVAILABLE ON 7ACUS/7ADUS UNITS)
- DESIGNED FOR FRONT & REAR ACCESS
- EXTERIOR VENTS ARE SUPPLIED WITH POLYESTER DUST FILTERS.
- FOR SPECIFIED TRANSFER SWITCH, REFER TO OPERATOR'S MANUAL PROVIDED WITH UNIT.
- SECTION 1 & SECTION 1T SHIP AS 1 UNIT.
- LIFTING PLATES: SECTIONS ARE SUPPLIED WITH LIFTING PLATES.
INSPECT PLATES FOR DAMAGE AND TORQUE BOLTS TO 45 FT LBS BEFORE USE.
REFER TO ANSI/NEMA PB 2.1 FOR PROPER HANDLING OF EQUIPMENT.
AFTER INSTALLATION OF SECTION, REMOVE LIFTING PLATES.
REINSTALL BOLTS INTO EXTERIOR HOLES AND TORQUE TO APPROX. 20 FT LBS.
- PROVIDED WITH A WORKING PLATFORM (IN THE STOWED POSITION.)
NOTE: WHEN IN THE WORKING POSITION (DOWN), THE PLATFORM MUST REST ON A SECURE, FLAT SURFACE.

SPECIFICATIONS

- SERVICE VOLTAGE:
SYSTEM RATING: 1000 AMPS, 1200 AMPS, 1600 AMPS, 2000 AMPS, 3Ø, 4W.
GROUND BUS- 600 AMPS
SHORT CIRCUIT RATING- 1000A-1200A: 85,000 AIC RMS SYM @ 480V.
SHORT CIRCUIT RATING- 1600A-2000A: 100,000 AIC RMS SYM @ 480V.
THE EMERGENCY SOURCE INPUT MUST BE PROTECTED BY A REMOTE OVERCURRENT PROTECTION DEVICE AS LISTED ON THE MARKINGS ON THE TRANSFER SWITCH.
- NEUTRAL BUS: 1000 AMPS, 1200 AMPS, 1600 AMPS, 2000 AMPS.
- APPLICABLE LABELS: U.L. 891- SUITABLE ONLY FOR USE AS SERVICE EQUIPMENT.

CABLING NOTES

- ALL SIZES SUPPLIED STANDARD WITH MECHANICAL (SCREW TYPE) LUGS.
A. LUG MATERIAL: ALUMINUM ALLOY 6061-T6 WITH ELECTRO TIN PLATED FINISH.
B. SCREW MATERIAL: ALUMINUM ALLOY 6262-T9 WITH ELECTRO TIN PLATED FINISH.
C. UL LISTED, CSA CERTIFIED.
D. LUG SCREW TIGHTENING TORQUE PER UL 486B: 19 FT-LBS.
E. SUITABLE WIRE BENDING SPACE IS PROVIDED.
- OPTIONAL COPPER CRIMP LUGS MAY BE SUPPLIED.
A. LUG MATERIAL: HIGH CONDUCTIVITY WROUGHT COPPER FINISH, ELECTRO TIN PLATED.
B. UL LISTED, CSA CERTIFIED.
C. LUG MOUNTING HARDWARE TIGHTENING TORQUE: (REFER TO WITHSTAND CURRENT RATING LABEL PROVIDED ON EACH TRANSFER SWITCH).
D. SUITABLE WIRE BENDING SPACE IS PROVIDED.
- CONSULT FACTORY FOR OTHER TERMINATION REQUIREMENTS.

NOTES 1000-1200 AMPS

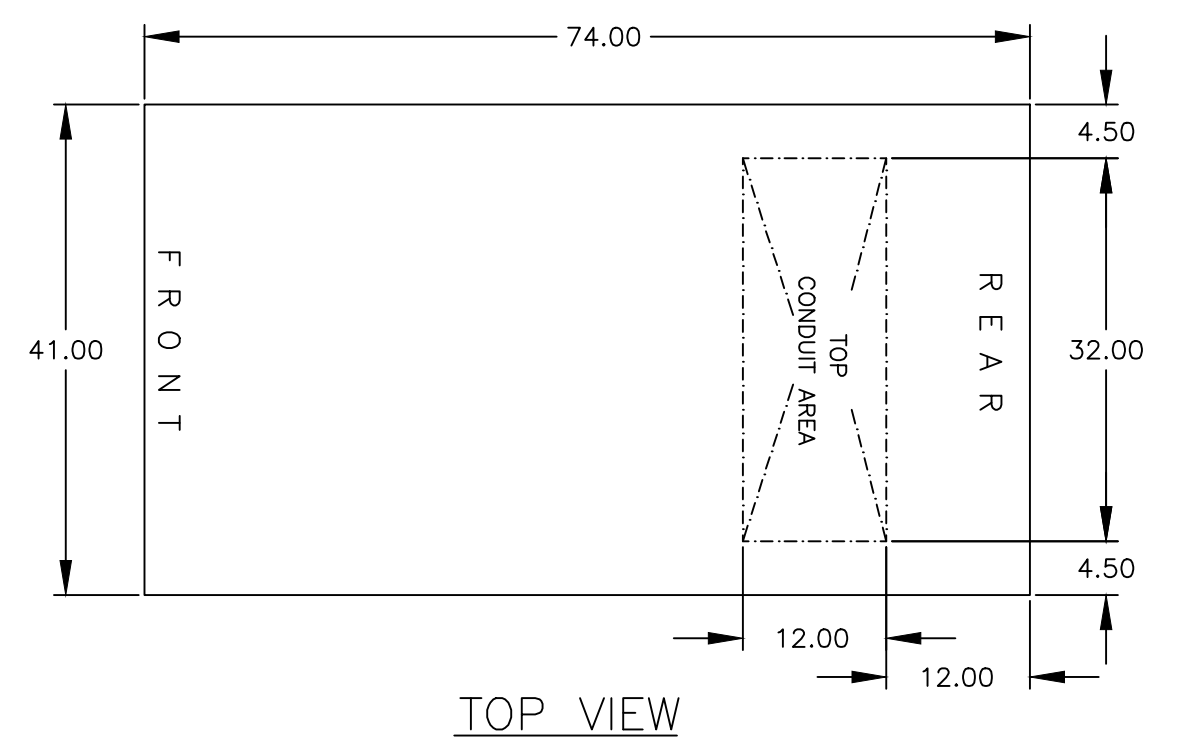
- SUPPLIED WITH STANDARD MECHANICAL (SCREW TYPE) LUGS ON THE NORMAL, EMERGENCY & LOAD BUS STABS. ONE (1) LUG PER PHASE AND NEUTRAL SUITABLE FOR CONNECTION OF FOUR (4) 1/0 AWG-600MCM CU/AL CABLE (SEE NOTE "A" BELOW).
A. SUITABLE WIRE BENDING SPACE IS PROVIDED FOR UP TO FOUR (4) 600MCM CABLES PER TERMINAL PER NEC.
- OPTIONAL COPPER CRIMP LUGS MAY BE SUPPLIED. UP TO FOUR (4) TWO HOLE, LONG BARREL CU CRIMP LUGS RATED FOR UP TO 600MCM. (REFER TO CRIMP LUG INSTALLATION DATA PROVIDED WITH UNIT FOR FULL INSTALLATION DETAILS).
A. SUITABLE WIRE BENDING SPACE IS PROVIDED FOR UP TO FOUR (4) 600MCM CABLES PER TERMINAL PER NEC.
- GROUND LUGS ARE PROVIDED STANDARD AS FOLLOWS;
(12) 1/0 - 750MCM CU/AL CABLE

NOTES 1600-2000 AMPS

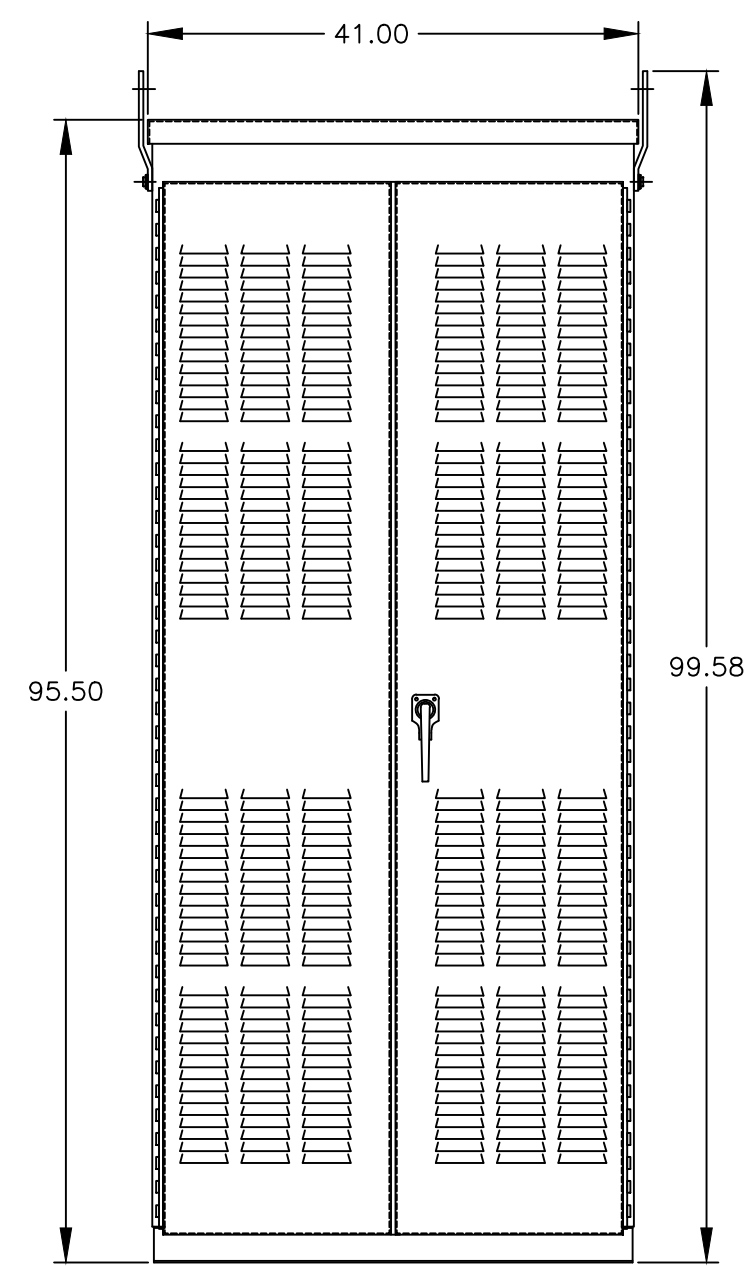
- SUPPLIED WITH STANDARD MECHANICAL (SCREW TYPE) LUGS ON THE NORMAL, EMERGENCY & LOAD BUS STABS. ONE (1) LUG PER PHASE AND NEUTRAL SUITABLE FOR CONNECTION OF SIX (6) 1/0 AWG-600MCM CU/AL CABLE (SEE NOTE "A" BELOW).
A. SUITABLE WIRE BENDING SPACE IS PROVIDED FOR UP TO SIX (6) 600MCM CABLES PER TERMINAL PER NEC.
- OPTIONAL COPPER CRIMP LUGS MAY BE SUPPLIED. UP TO SIX (6) TWO HOLE, LONG BARREL CU CRIMP LUGS RATED FOR UP TO 600MCM. (REFER TO CRIMP LUG INSTALLATION DATA PROVIDED WITH UNIT FOR FULL INSTALLATION DETAILS).
A. SUITABLE WIRE BENDING SPACE IS PROVIDED FOR UP TO SIX (6) 600MCM CABLES PER TERMINAL PER NEC.
- GROUND LUGS ARE PROVIDED STANDARD AS FOLLOWS;
(18) 1/0 - 750MCM CU/AL CABLE

CIRCUIT BREAKER: ITEM 52U

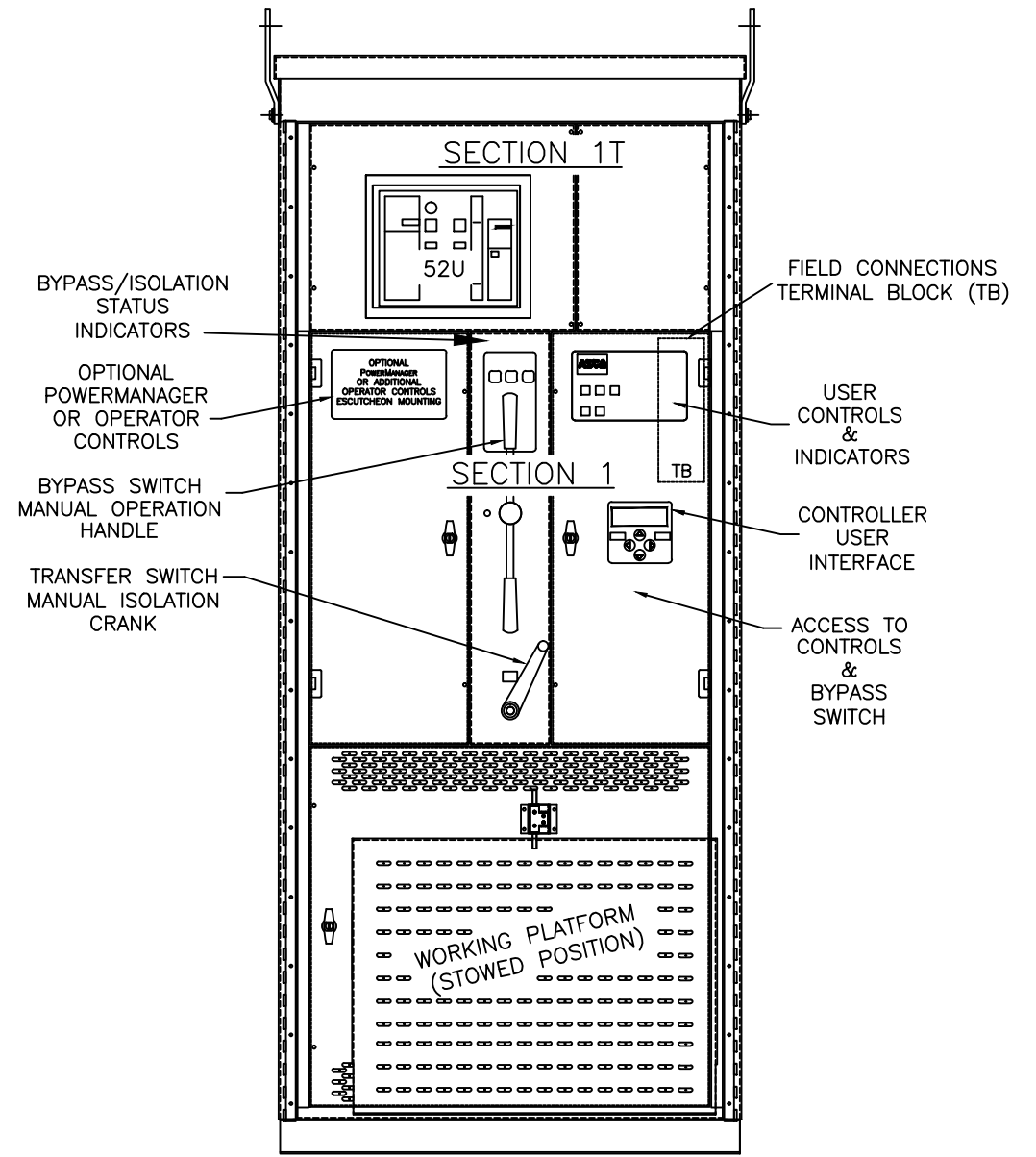
SQUARE "D" 100% RATED TYPE 'NW', 1200AF/1000AT, 1200AF/1200AT, 1600AF/1600AT OR 2000AF/2000AT STATIONARY MOUNTED, MANUALLY OPERATED, WITH LONG DELAY, SHORT DELAY, INSTANTANEOUS AND GROUND FAULT TRIP SETTINGS,



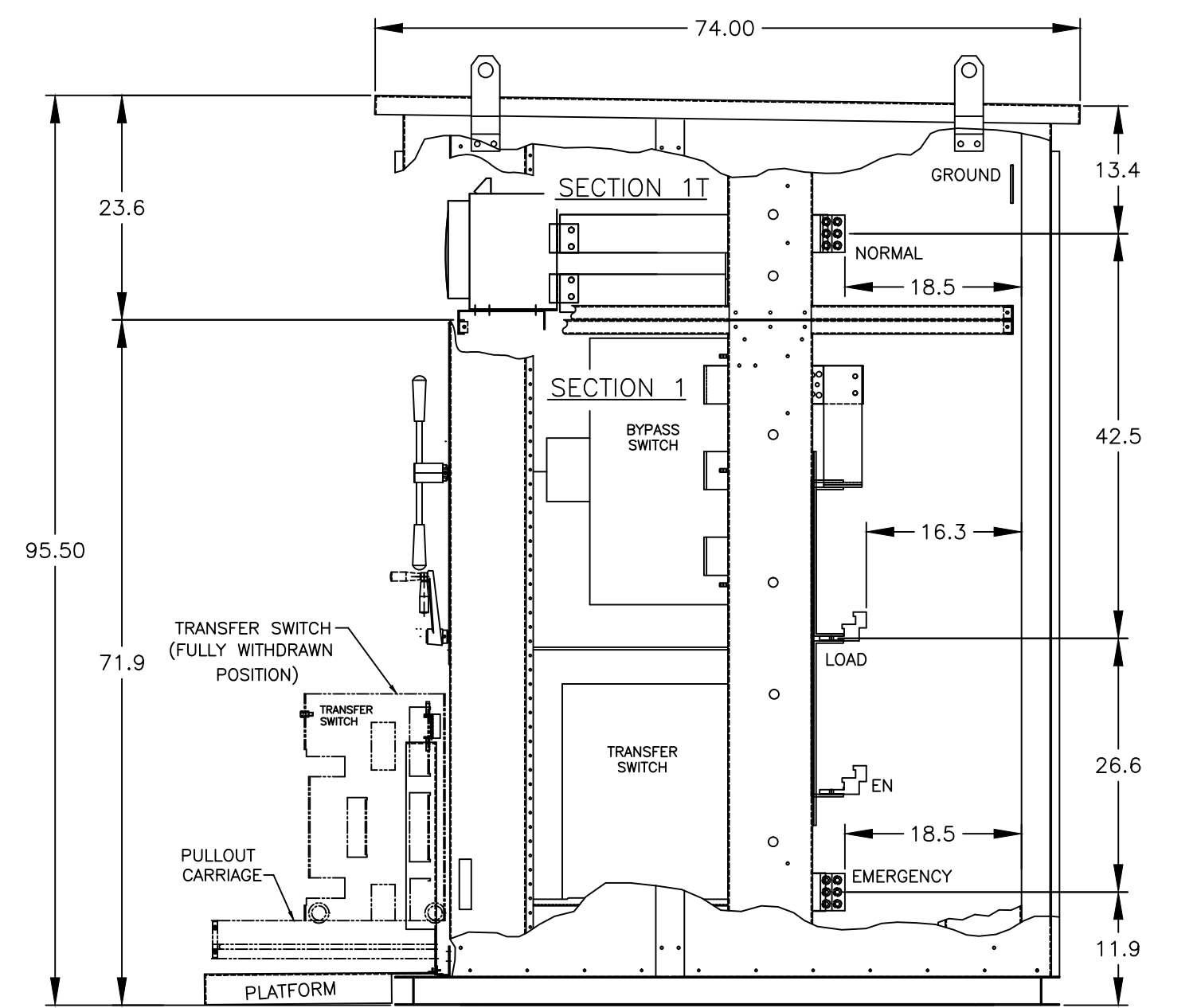
TOP VIEW



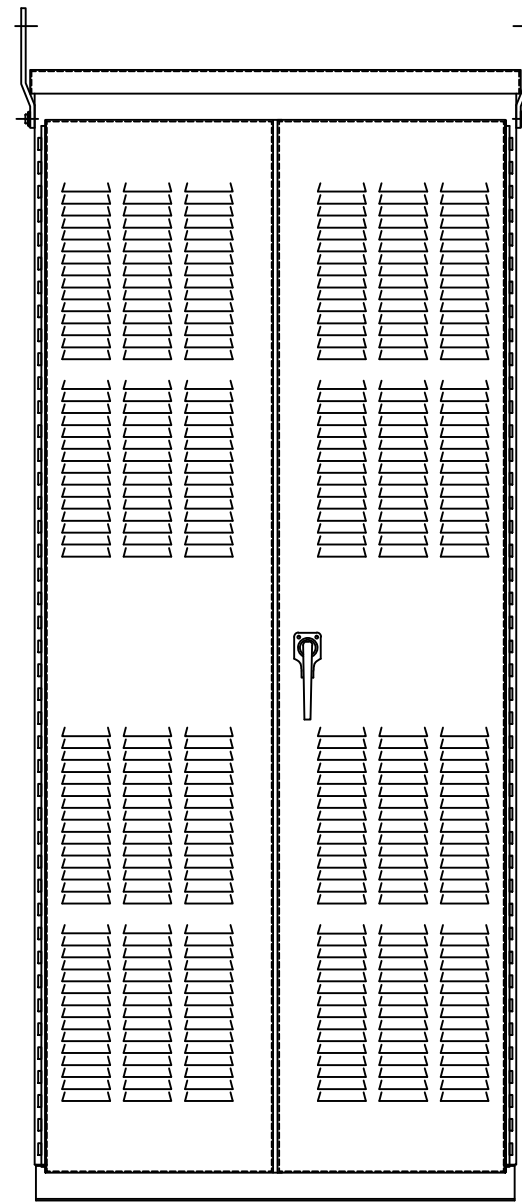
FRONT VIEW



FRONT VIEW WITHOUT EXTERIOR DOORS

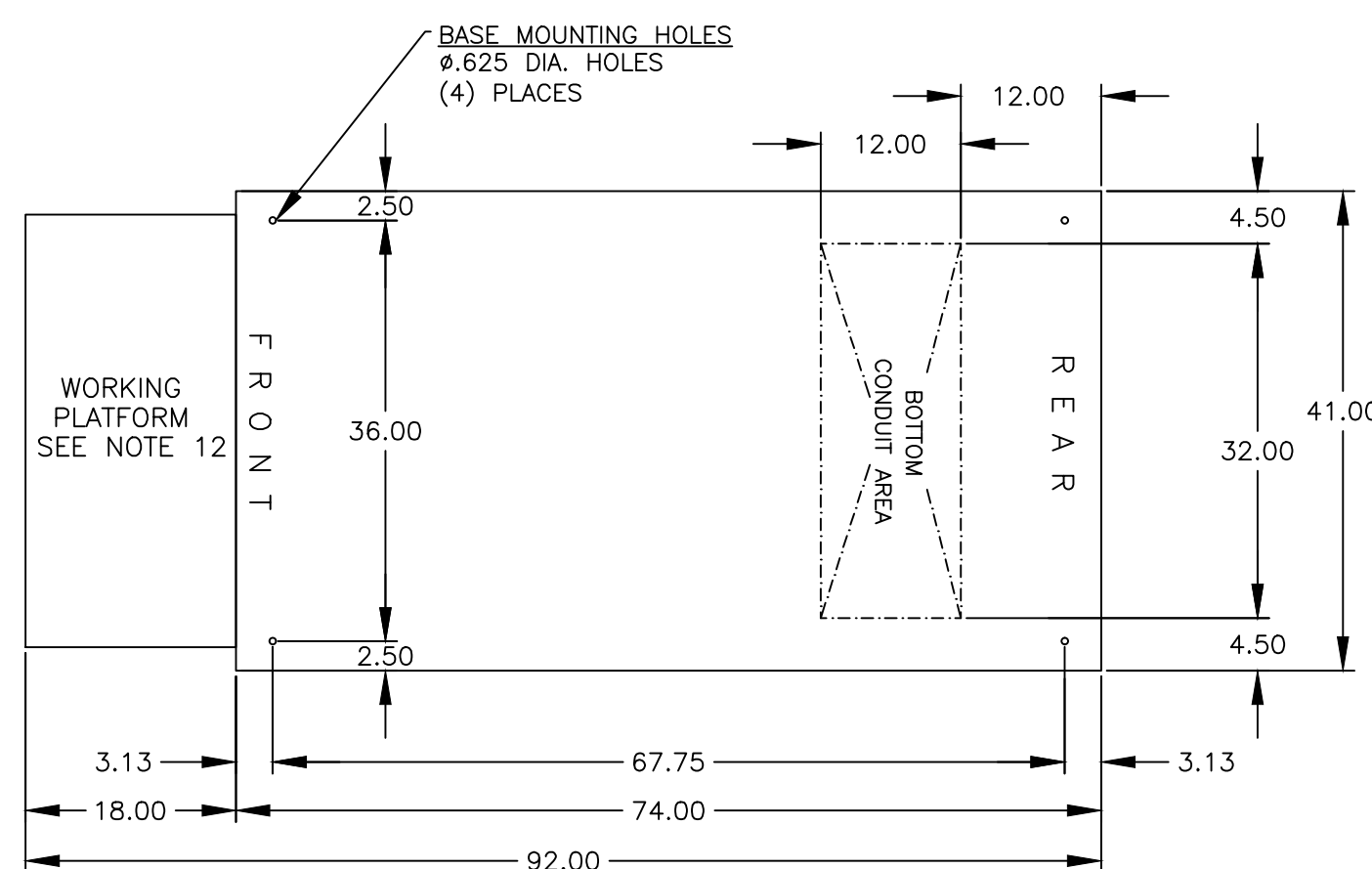


SIDE VIEW



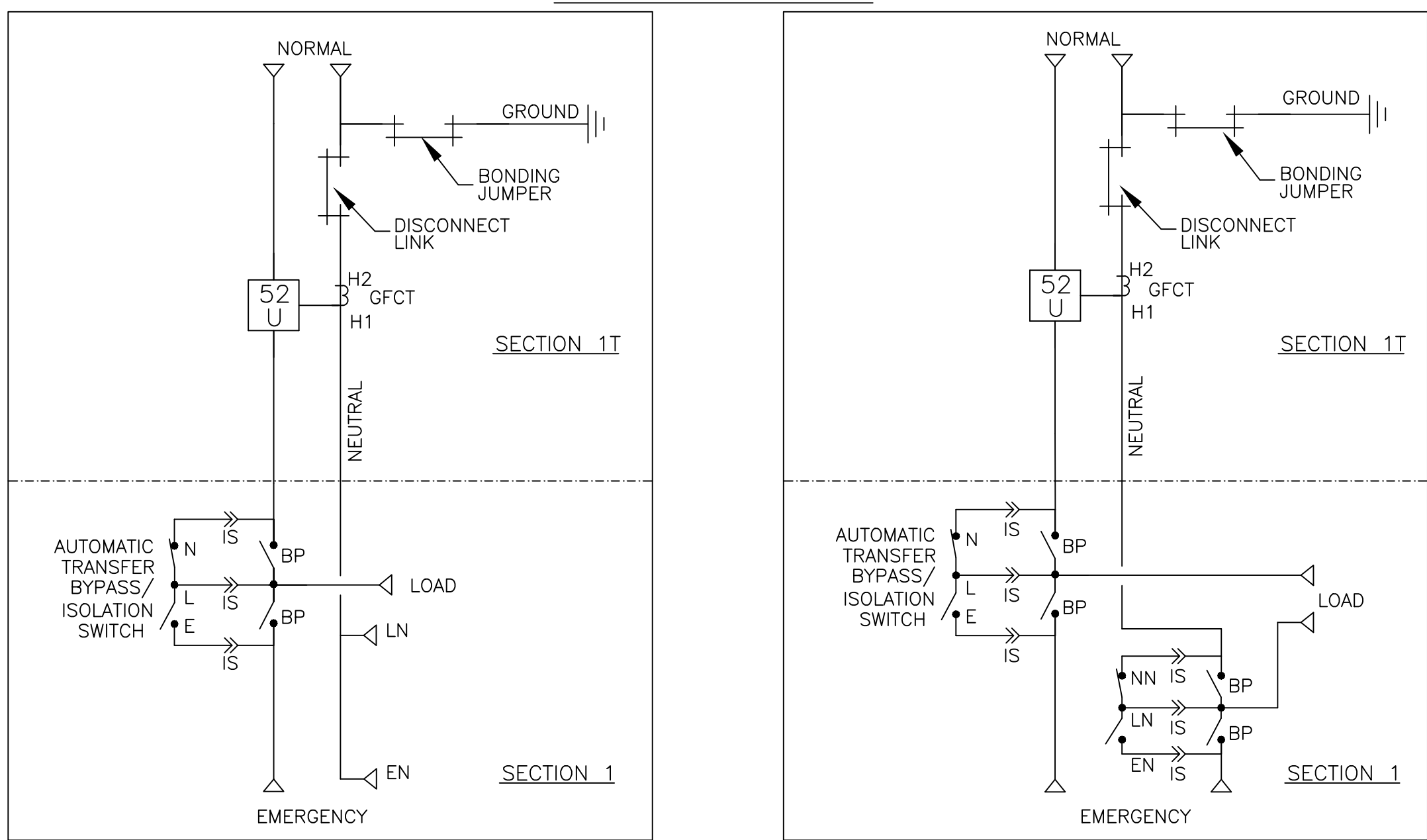
REAR VIEW

(MAXIMUM DRAWOUT CARRIAGE EXTENSION) TRANSFER SWITCH CAN BE FULLY ISOLATED (DISCONNECTED)



PLAN VIEW

ONE LINE DIAGRAMS



(WITH SOLID NEUTRAL)

(WITH SWITCHED/OVERLAPPING NEUTRAL)

C	264421	RN	11-30-16
B	260621	SG RN	04/26/16
A	245175	AJ MM	11/08/13
D	264433	BG RN	12/02/16
	243585	LY	9/17/13

PROJECT NAME:		REV. TO SHEET	ECN NO.	BY	APP.	DATE
OUTLINE		MOUNTING				
GAUB 1000A - 2000A, NW SERVICE ENTRANCE BREAKER						
TYPE 3R/3RX 96 X 41 X 74						
BY	DATE	MANUFACTURING TOLERANCES TO BE IN ACCORDANCE WITH ASCO PROCEDURE MP-1-003. FOR PLASTIC PARTS SEE MP-1-005.				
BY	DATE	ASSEM. REF. NO.	COMPUTER GENERATED DRAWING			
CHECKED	LY	9/17/13	SCALE	1:1	SIZE	DS
PROJECT APPROVAL			PROPERTY OF ASCO POWER TECHNOLOGIES. USE PERMITTED FOR OUR WORK ONLY. ALL RIGHTS OF DESIGN OR INVENTION ARE RESERVED.			
FINAL APPROVAL			740256-083			
			DRAWING D			
			ECN NO. 264433			
			SHEET 1 OF 1			

8 7 6 5 4 3 2 1