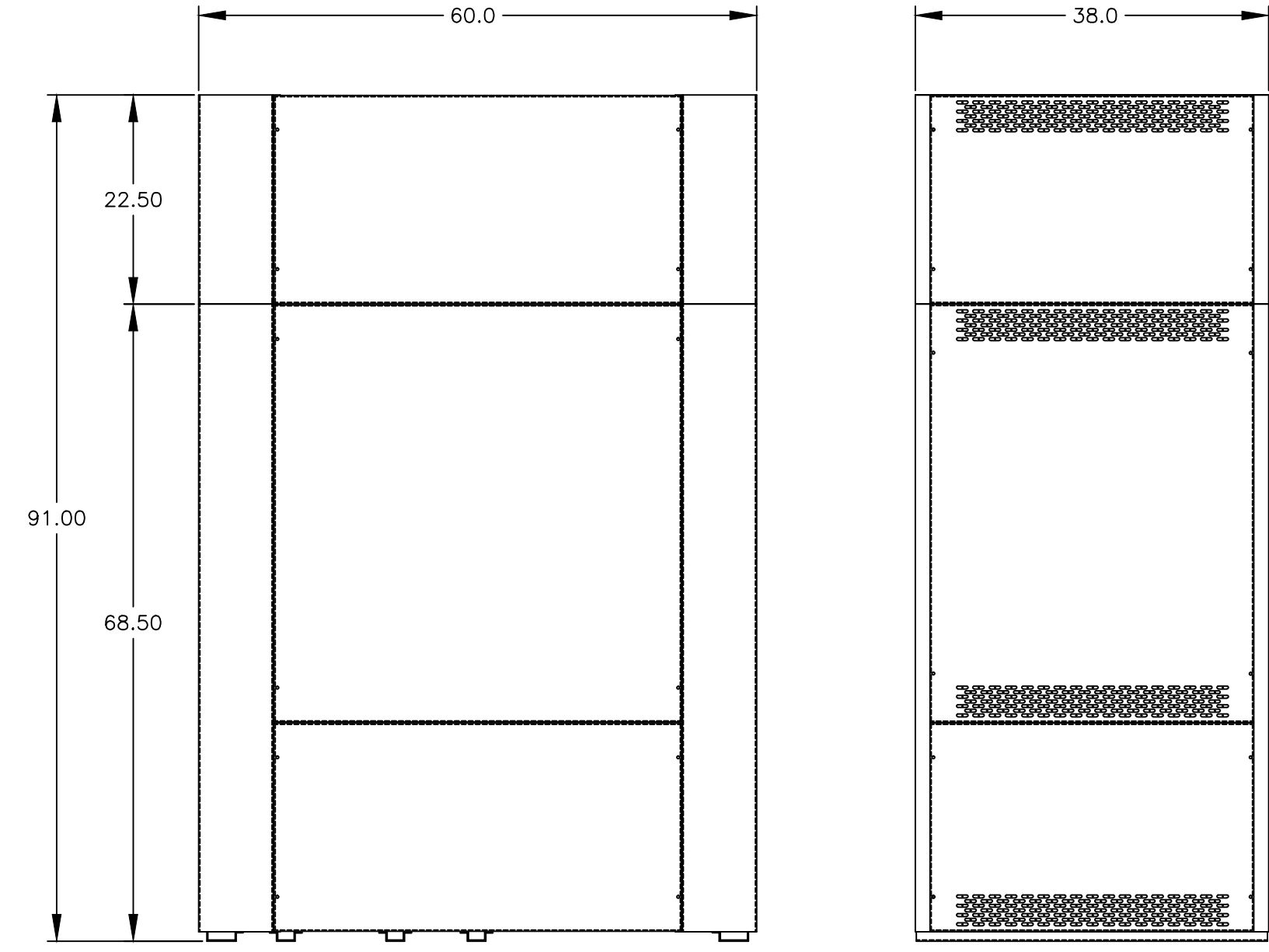


TOP VIEW



SIDE VIEW

REAR VIEW

**GENERAL NOTES**

- TYPE 1 ENCLOSURE. FREE STANDING. FLOOR MOUNTED. CODE GAUGE STEEL.
- ALL DOORS HAVE LOCKABLE HANDLES WITH COMMON KEYING AND CAPTIVE SCREWS AS REQUIRED.
- FINISH: ANSI 61 GRAY POLYESTER SEMI GLOSS ELECTROSTATIC POWDER.
- RECOMMENDED CLEARANCES:  
FRONT: 38 INCHES REAR: 36 INCHES
- ALL BUS IS SILVER-PLATED COPPER, BASED ON 1000A PER SQ. IN. DENSITY.
- A FULL RATED NEUTRAL CONNECTION FOR EACH SOURCE AND THE LOAD IS OPTIONAL. WHEN PROVIDED IT IS IN ONE OF THE FOLLOWING FORMATS AS SPECIFIED BY THE CATALOG NO. NEUTRAL TYPE;
  - SOLID (COPPER BUS) NEUTRAL (SHOWN)
  - SWITCHED NEUTRAL POLE
  - OVERLAPPING NEUTRAL POLE (NOT AVAILABLE ON 7ACUS/7ADUS UNITS)
- DESIGNED FOR FRONT & REAR ACCESS
- FOR SPECIFIED TRANSFER SWITCH, REFER TO OPERATOR'S MANUAL PROVIDED WITH UNIT.
- SECTION 1 & SECTION 1T SHIP AS 1 UNIT.
- CENTER OF GRAVITY

**SPECIFICATIONS**

- SYSTEM RATING: 1000 AMPS, 1200 AMPS, 1600 AMPS, 2000 AMPS, 3Ø, 4W.  
SHORT CIRCUIT RATING- 1000A-1200A: 85,000 AIC RMS SYM @ 480V.  
SHORT CIRCUIT RATING- 1600A-2000A: 100,000 AIC RMS SYM @ 480V.  
THE EMERGENCY SOURCE INPUT MUST BE PROTECTED BY A REMOTE OVERCURRENT PROTECTION DEVICE AS LISTED ON THE MARKINGS ON THE TRANSFER SWITCH.
- GROUND BUS: 20% RATED.
- NEUTRAL BUS: 100% RATED.
- APPLICABLE LABELS: U.L. 891- SUITABLE ONLY FOR USE AS SERVICE EQUIPMENT.

**TERMINATIONS, 1000A - 1200A**

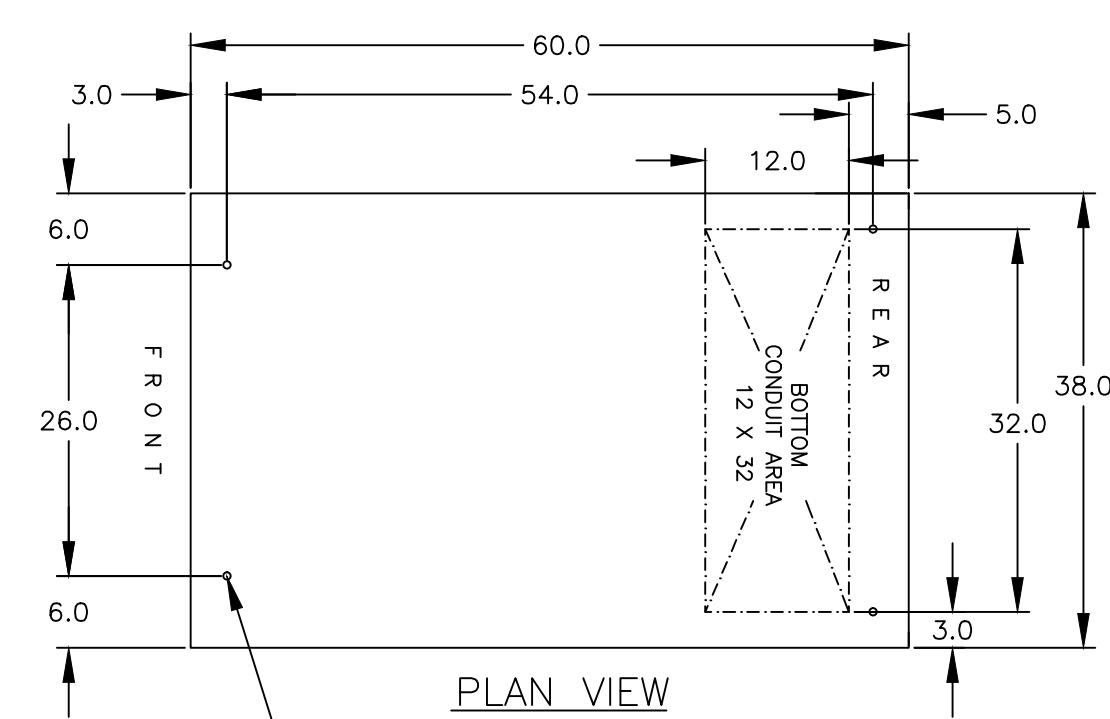
- SUPPLIED WITH MECHANICAL (SCREW TYPE) LUGS FOR CU/AL CABLE.  
NORMAL: (4) 1/0 - 600MCM PER PHASE & NEUTRAL  
LOAD: (4) 1/0 - 600MCM PER PHASE & NEUTRAL  
EMERGENCY: (4) 1/0 - 600MCM PER PHASE & NEUTRAL  
GROUND: (12) 1/0 - 750MCM
- A. SUITABLE WIRE BENDING SPACE IS PROVIDED AS PER NEC.

**TERMINATIONS, 1600A - 2000A**

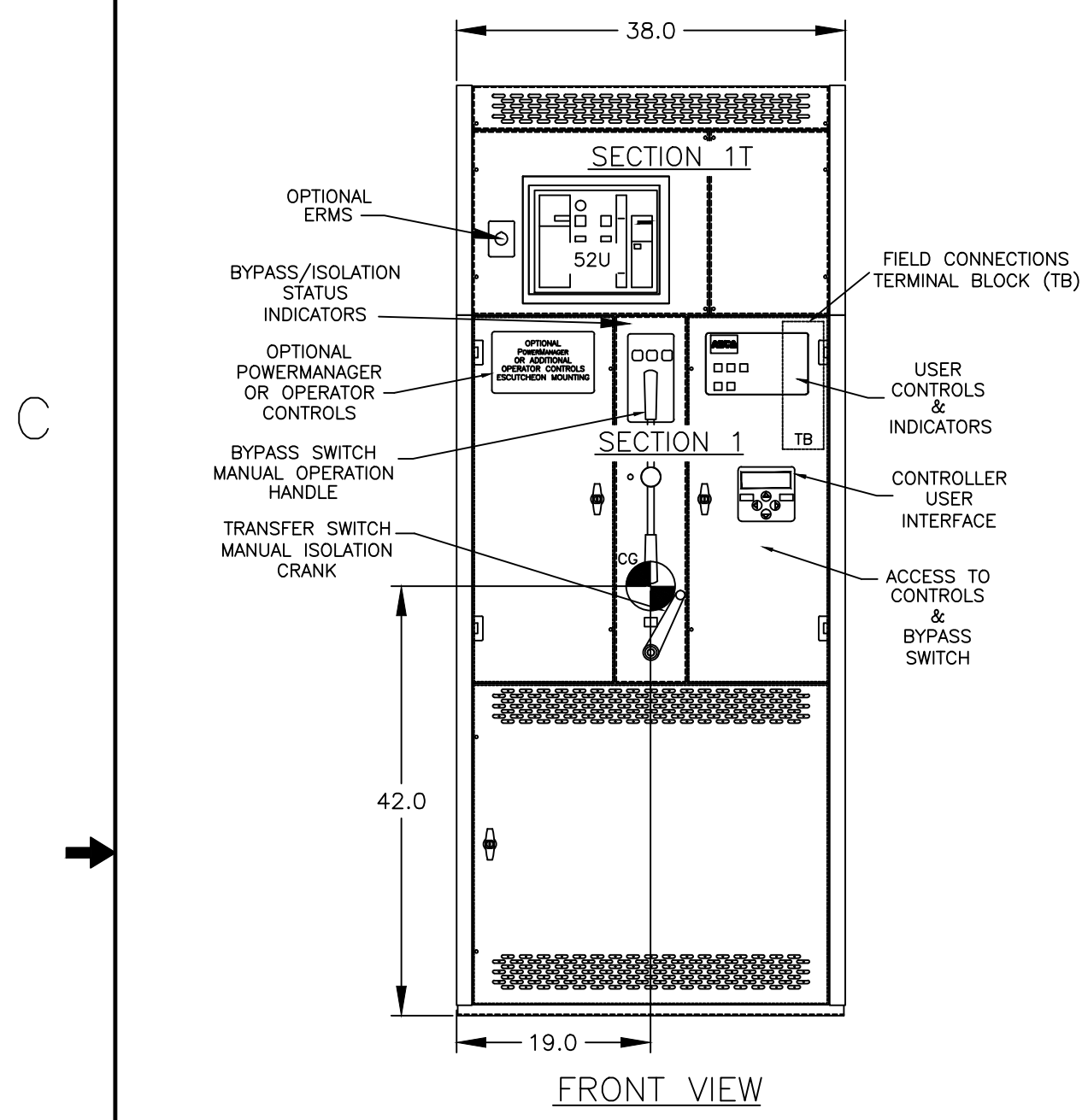
- SUPPLIED WITH MECHANICAL (SCREW TYPE) LUGS FOR CU/AL CABLE.  
NORMAL: (6) 1/0 - 600MCM PER PHASE & NEUTRAL  
LOAD: (6) 1/0 - 600MCM PER PHASE & NEUTRAL  
EMERGENCY: (6) 1/0 - 600MCM PER PHASE & NEUTRAL  
GROUND: (18) 1/0 - 750MCM
- A. SUITABLE WIRE BENDING SPACE IS PROVIDED AS PER NEC.

**CIRCUIT BREAKER: ITEM 52U**

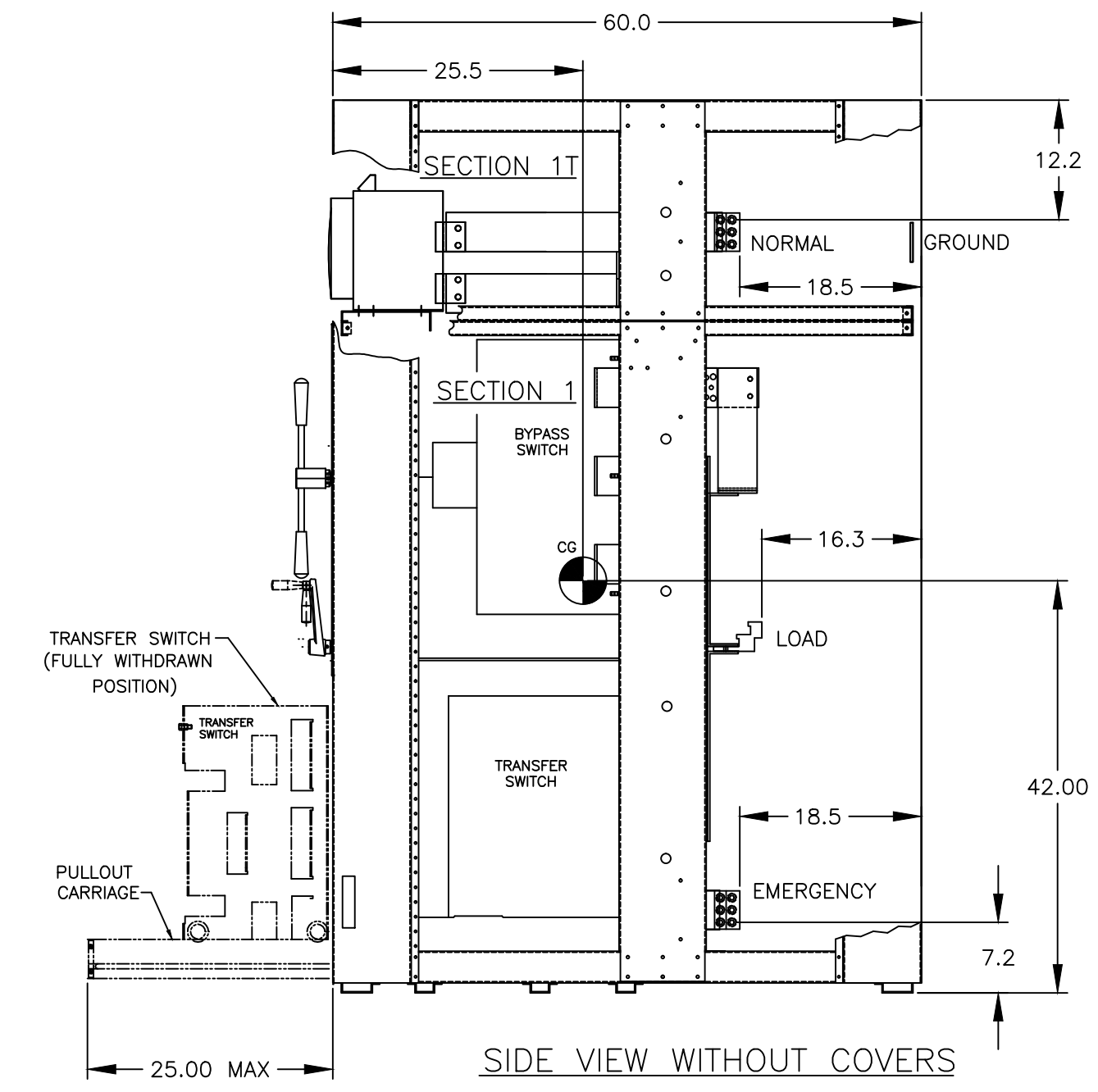
- SQUARE "D" 100% RATED TYPE "NW", 1200AF/1000AT, 1200AF/1200AT, 1600AF/1600AT OR 2000AF/2000AT STATIONARY MOUNTED, MANUALLY OPERATED, WITH LONG DELAY, SHORT DELAY, INSTANTANEOUS AND GROUND FAULT TRIP SETTINGS,
- OPTIONAL ENERGY REDUCTION MAINTENANCE SETTING SYSTEM MAY BE SUPPLIED



PLAN VIEW

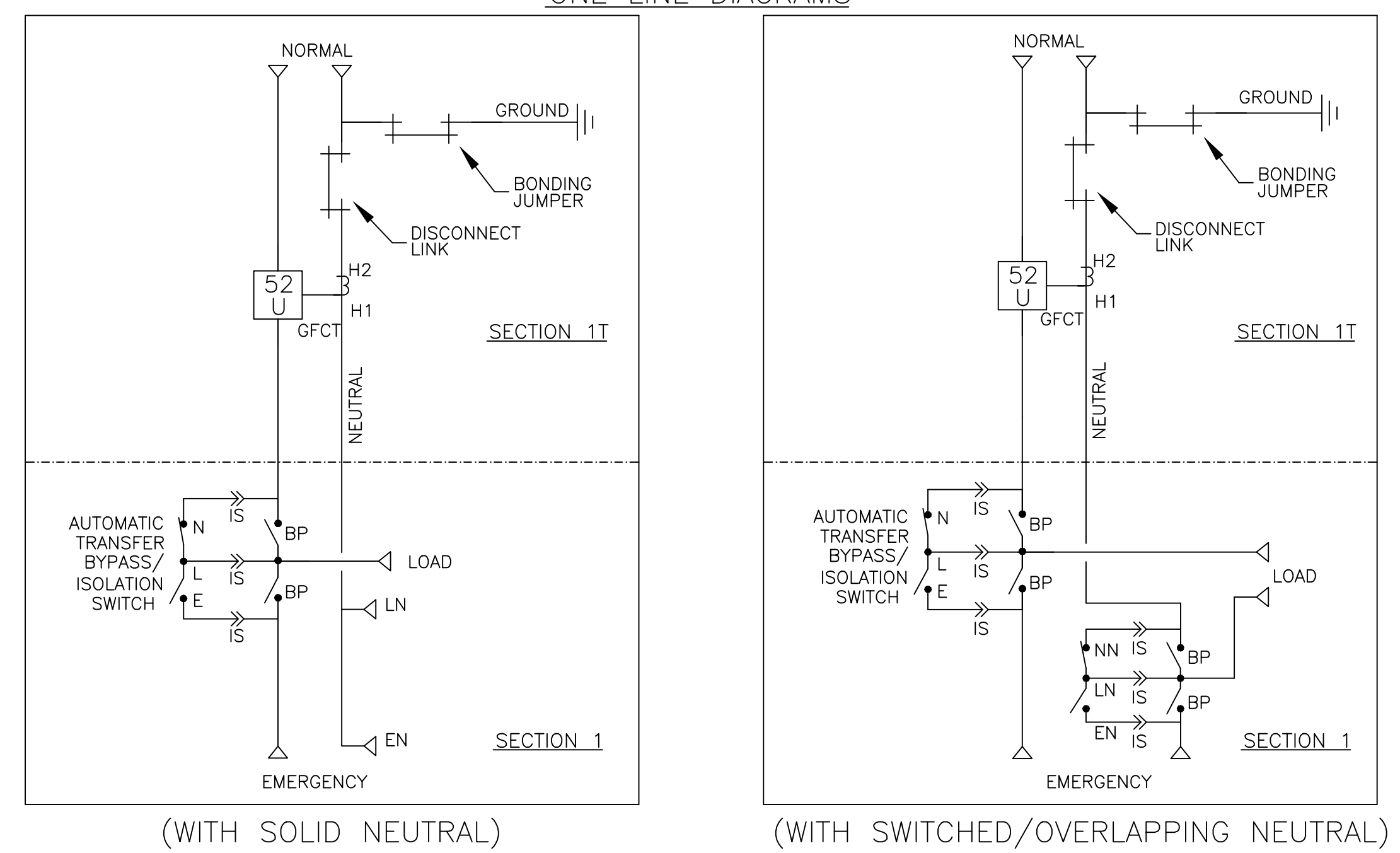


FRONT VIEW



SIDE VIEW WITHOUT COVERS

**ONE LINE DIAGRAMS**



(WITH SOLID NEUTRAL)

(WITH SWITCHED/OVERLAPPING NEUTRAL)

|   |        |     |    |          |
|---|--------|-----|----|----------|
| E | 268159 | VAK | RN | 07/20/17 |
| D | 221482 | DP  | RN | 1/21/09  |
| C | 220398 | TR  | WK | 10/21/08 |
| B | 216220 | TR  | WK | 12/4/07  |

|  |  |   |         |                 |                            |      |
|--|--|---|---------|-----------------|----------------------------|------|
| PROJECT NAME:  |  | REV. TO SHEET   | ECN NO. | BY              | APP.                       | DATE |
| OUTLINE  |  | MOUNTING  |         |                 |                            |      |
| GAUB 1000A - 2000A, NW SE BREAKER  |  |   |         |                 |                            |      |
| TYPE 1 91 X 38 X 60  |  |   |         |                 |                            |      |
| MANUFACTURING TOLERANCES TO BE IN ACCORDANCE WITH ASCO PROCEDURE MP-1-003. FOR PLASTIC PARTS SEE MP-1-005. |  |   |         |                 |                            |      |
| DRAWN BY   |  | BY  | DATE    | ASSEM. REF. NO. | COMPUTER GENERATED DRAWING |      |
| CHECKED  |  | RN  | 5-10-07 |                 | SCALE                      | 1:1  |
| PROJECT APPROVAL   |  |   |         |                 | SIZE                       | DS   |
| FINAL APPROVAL   |  |   |         |                 | DWG. NO. 740256-050        |      |
|  |  | PROPERTY OF ASCO POWER TECHNOLOGIES. USE PERMITTED FOR OUR WORK ONLY. ALL RIGHTS OF DESIGN OR INVENTION ARE RESERVED. |         |                 | DRAWING E                  |      |
|  |  | ASCO® ASCO POWER TECHNOLOGIES, L.P.<br>FLORHAM PARK, NEW JERSEY 07932 U.S.A.  |         |                 | REV. E                     |      |
|  |  |   |         |                 | ECN NO. 268159             |      |
|  |  |   |         |                 | SHEET 1 OF 1               |      |