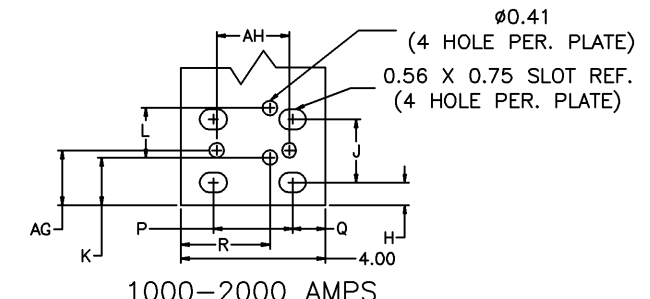
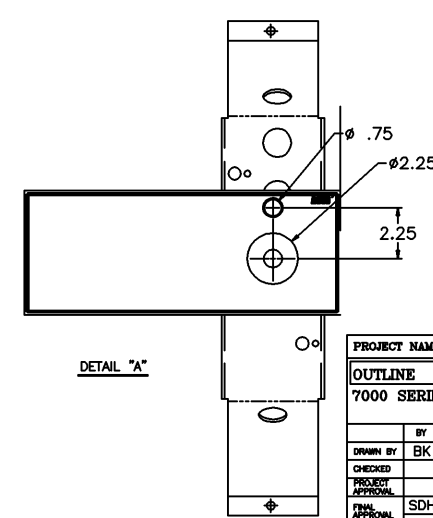
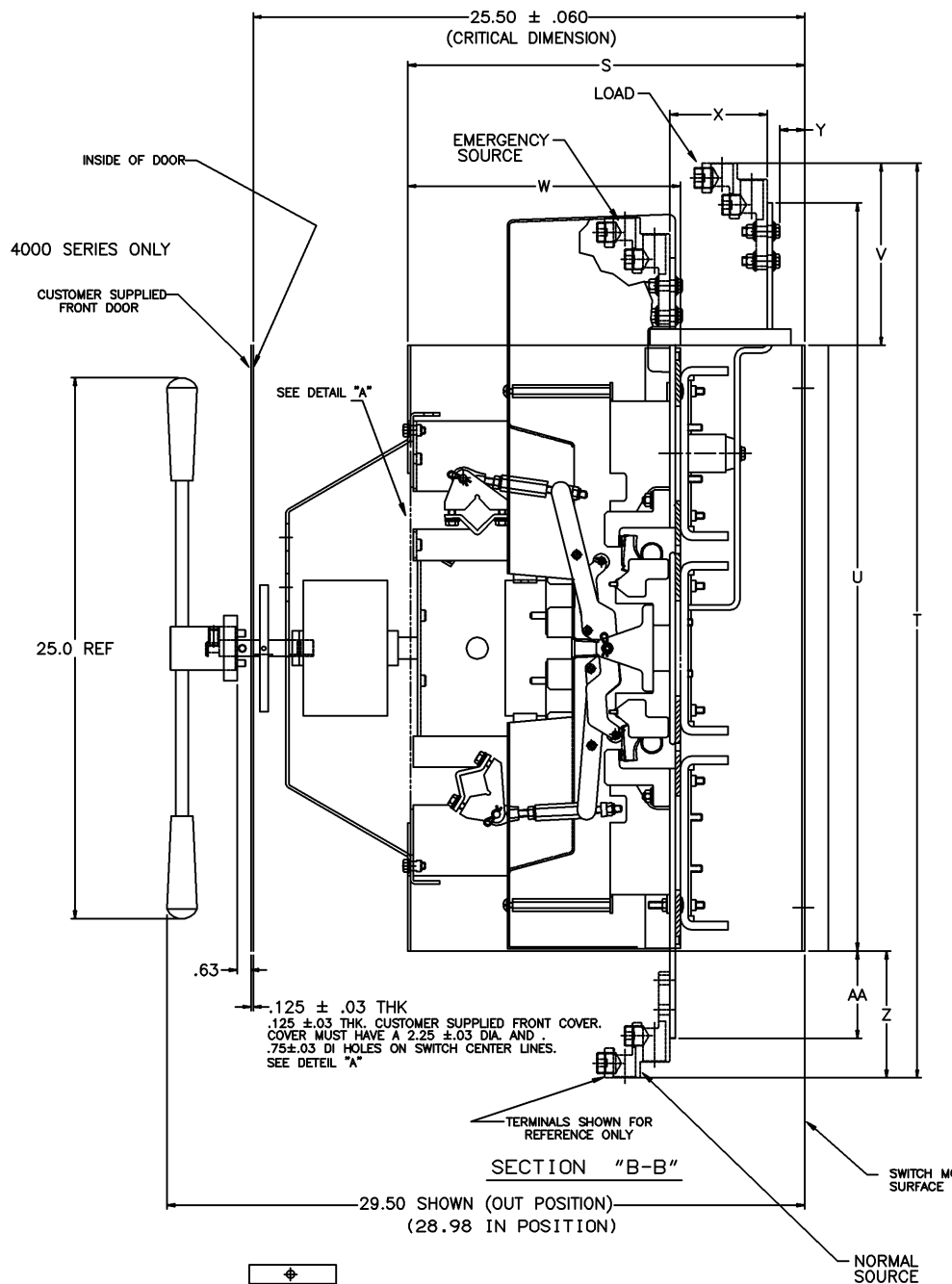
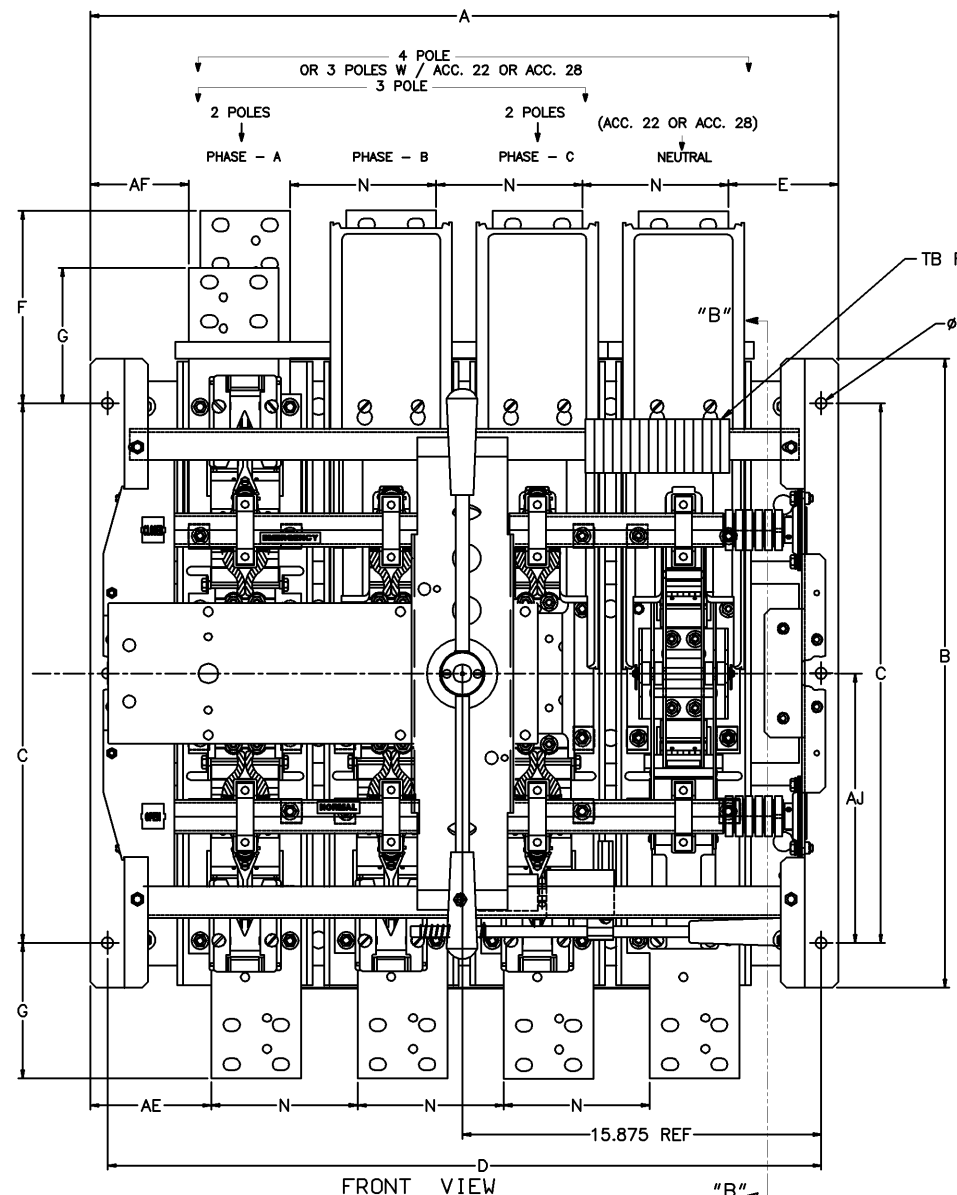




# OUTLINE FOR ASCO 7000 SERIES 1000-2000 AMPERE "G" FRAME W/35 (ATS,NTS) FRONT CONNECTED TRANSFER SWITCHES OPEN TYPE



AMP SIZE	BUS BAR PER PHASE BOLTING SURFACE
1000 THRU 2000	0.25" X 4.00", 6.4mm x 101.6mm

SIZE	CABLE ACCOMMODATIONS (PER PHASE & NEUTRAL)
1000-1200	SCREW TYPE (STANDARD)- (4) 1/0 - 750 MCM AL/CU
1600-2000	SCREW TYPE (STANDARD)- (6) 1/0 - 750 MCM AL/CU

NOTE : CONSULT FACTORY FOR OTHER CABLING & TERMINATION REQUIREMENTS.

AMP SIZE	DIMENSIONS										
	A	B	C	D	E	F	G	H	J	K	
1000 & 1200	33.27 845.1	28.00 711.2	24.00 609.6	31.75 806.5	4.88 124.0	8.56 217.4	6.03 153.2	0.63 15.88	1.75 44.45	1.31 33.3	
1600 & 2000	33.27 845.1	28.00 711.2	24.00 609.6	31.75 806.5	4.88 124.0	8.56 217.4	6.03 153.2	0.63 15.88	1.75 44.45	1.31 33.3	

AMP SIZE	DIMENSIONS										
	L	M	N	P	Q	R	S	T	U	V	
1000 & 1200	1.37 34.80	—	6.50 165.1	2.18 55.37	0.91 23.11	2.43 61.7	18.34 465.8	42.3 1074.4	34.58 878.3	8.40 213.4	
1600 & 2000	1.37 34.80	—	6.50 165.1	2.18 55.37	0.91 23.11	2.43 61.7	18.34 465.8	42.96 1091.2	34.58 878.3	8.40 213.4	

AMP SIZE	DIMENSIONS									
	W	X	Y	Z	AA	AB	AC	AD	AE	AF
1000 & 1200	12.5 317.5	4.50 114.3	1.50 38.1	5.90 150.0	4.04 102.6	—	—	—	5.35 135.9	4.36 111.6
1600 & 2000	12.5 317.5	4.50 114.3	1.25 31.75	6.22 158.0	4.04 102.6	—	—	—	5.35 135.9	4.36 111.6

AMP SIZE	DIMENSIONS			
	AG	AH	AJ	
1000 & 1200	—	—	12.00 304.8	
1600 & 2000	1.50 38.10	2.00 50.8	12.00 304.8	

AMP SIZE	BUS BAR PER PHASE BOLTING SURFACE
1000 THRU 2000	0.25 X 4.00 IN, 6.4 X 101.6 MM

BUS TERMINATION DETAIL (TYP.)

SWITCH RATING (AMPS)	HEIGHT	WIDTH	DEPTH
1000 & 2000	87 (2210)	38 (965)	25 (635)

NOTE: "2000 AMPS" NEEDS VENTILATION TOP AND BOTTOM

REV. TO	DATE	BY	APP.	DATE
—	—	—	—	—

PROJECT NAME:	OUTLINE MOUNTING
7000 SERIES	

BY	DATE	MANUFACTURING TOLERANCES TO BE IN ACCORDANCE WITH ASCO PROCEDURE MP-1-003. FOR PLASTIC PARTS SEE MP-1-005	ASSEM. REF. NO.
BK	6/98		

CHECKED	APPROVAL	SDH	6/98
---------	----------	-----	------

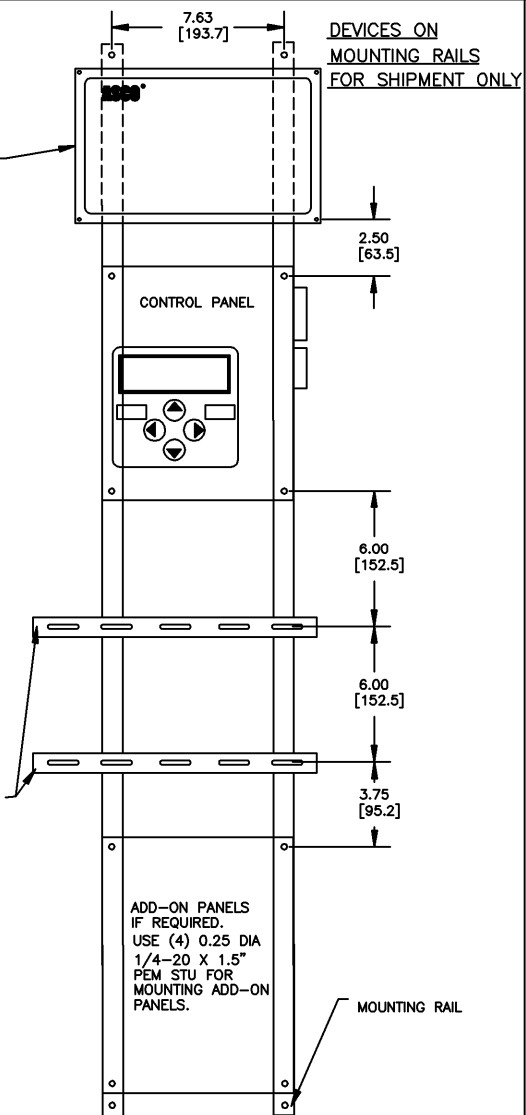
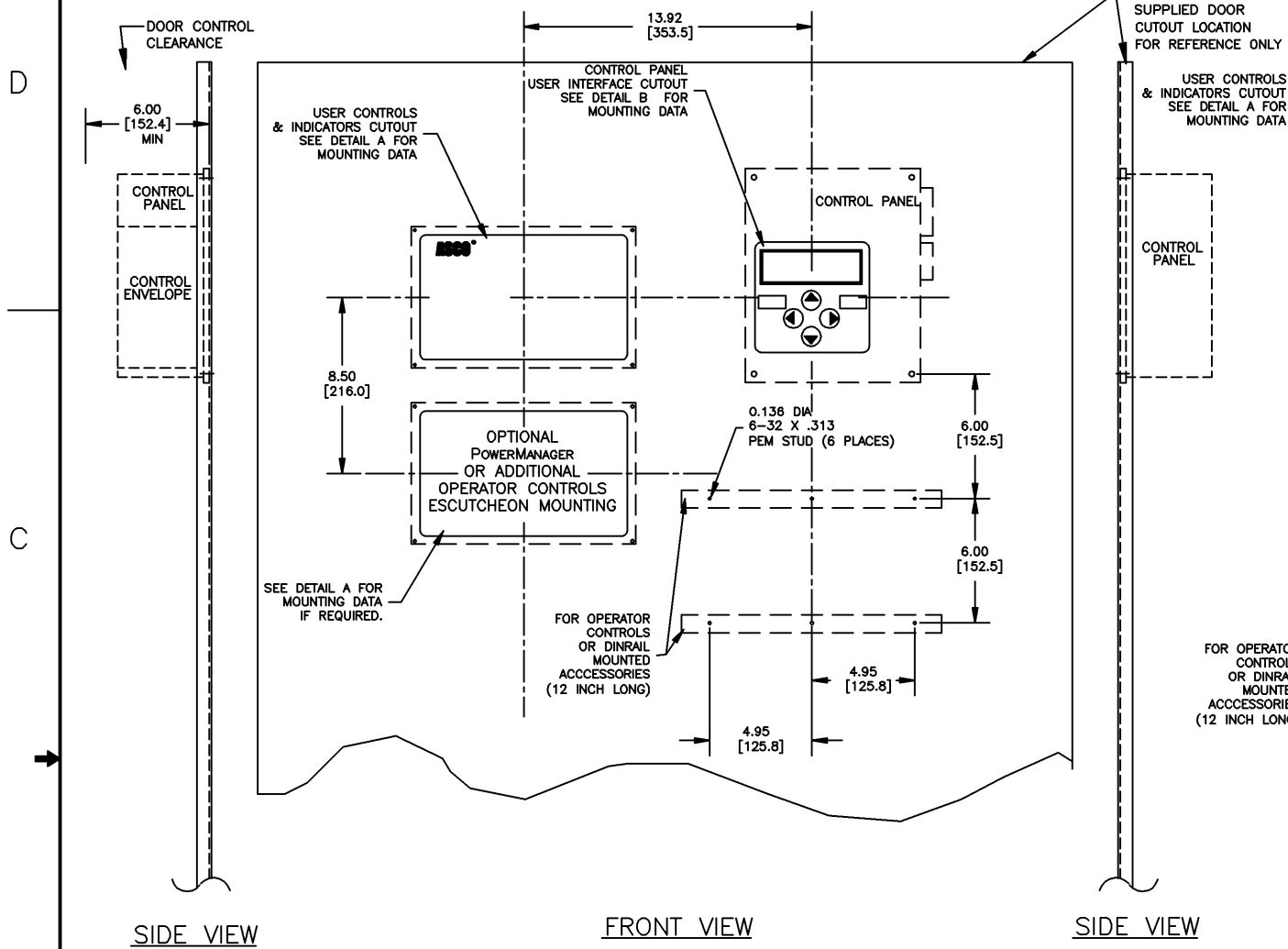
SCALE	1:1	SIZE	DS
DWG. NO.	619590-001		
DRAWING E	REV.	EDN 235678	SHEET 2 OF 3

PROPERTY OF ASCO POWER TECHNOLOGIES. USE PERMITTED FOR OUR WORK ONLY. ALL RIGHTS OF DESIGN OR INVENTION ARE RESERVED.

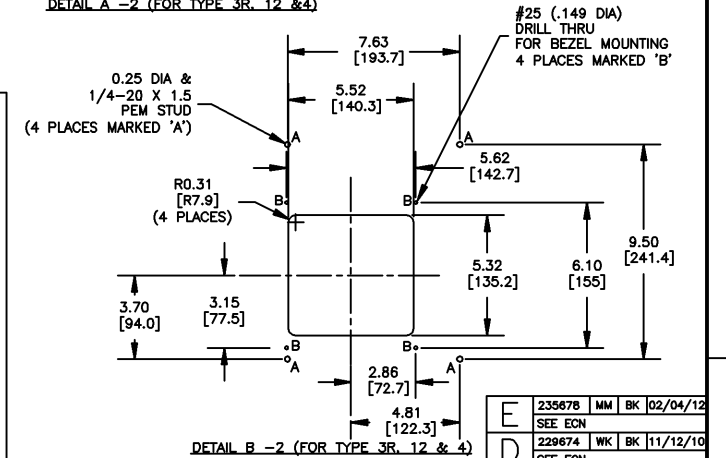
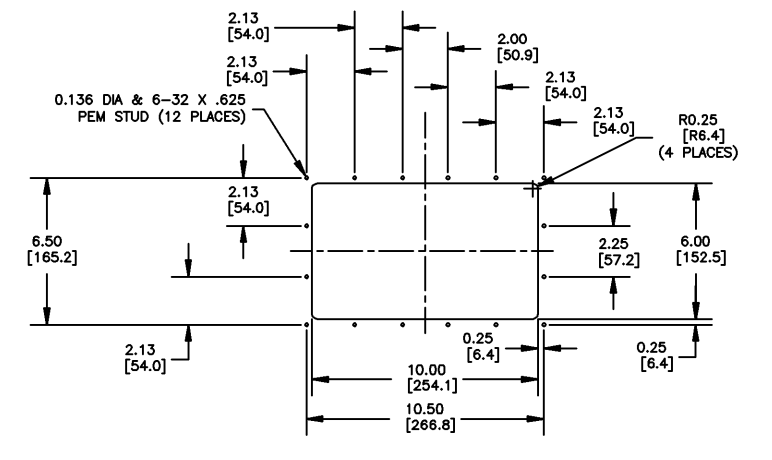
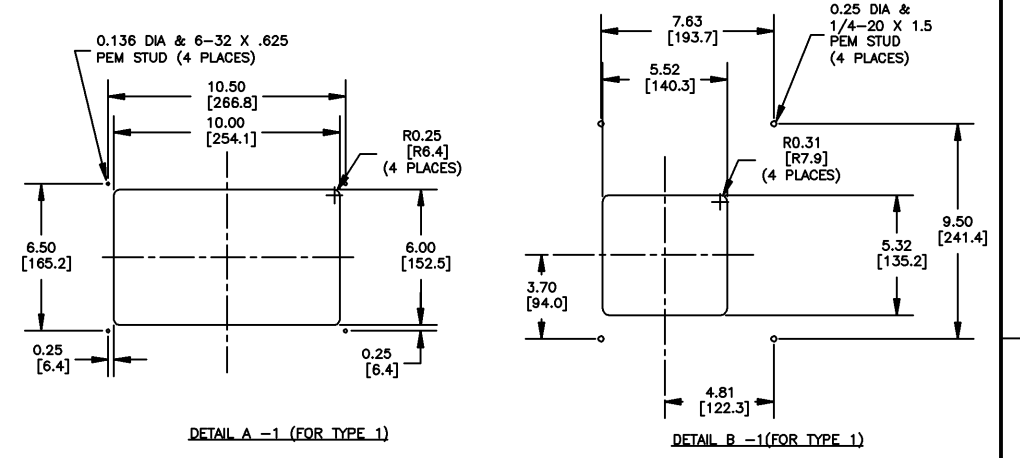
**ASCO** ASCO POWER TECHNOLOGIES, L.P.  
FLORHAM PARK, NEW JERSEY 07832 U.S.A.

**OUTLINE FOR ASCO 7000 SERIES 1000-2000 AMPERE "G" FRAME W/35 (ATS,NTS) REAR & FRONT CONNECTED TRANSFER SWITCHES OPEN TYPE**

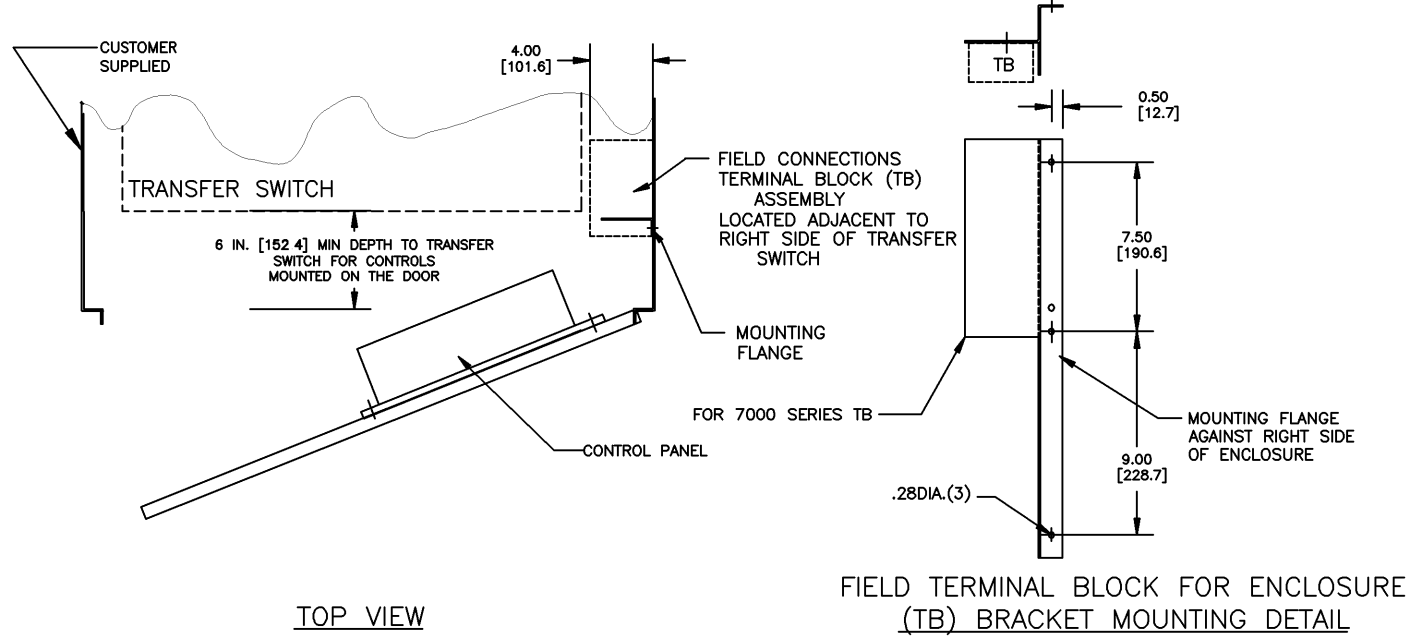
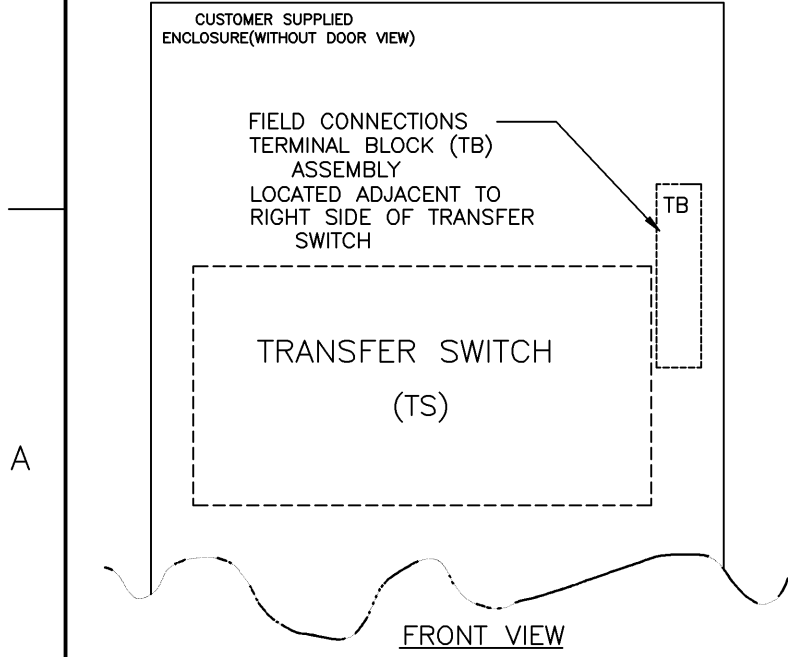
**CONTROL PANEL & CONTROLS MOUNTING**



**CONTROL PANEL & CONTROLS MOUNTING DATA**



**MOUNTING OF FIELD TERMINAL BLOCK ASSEMBLY (TB) (SEE NOTE 12)**



E	235678	MM	BK	02/04/12
SEE ECH				
D	229674	WK	BK	11/12/10
SEE ECH				
C	211621	BK	BK	01/30/07
SEE ECH				
B	205346	AE	WK	8/1/05
SEE ECH				
A	149724	BK		07/29/05
ISSUE				
	148444	BK	SDH	6/98
ISSUE				
REV. TO SHEET	ECH NO.	BY	APP.	DATE
PROJECT NAME:	OUTLINE MOUNTING			
7000 SERIES	THIRD ANGLE PROJECTION			
DRAWN BY	BY	DATE	MANUFACTURING TOLERANCES TO BE IN ACCORDANCE WITH ASCO PROCEDURE MP-1-003. FOR PLASTIC PARTS SEE MP-1-005. ASSEM. REF. NO.	
CHKD	EK	6/98	COMPUTER GENERATED DRAWING	
APPROVAL			SCALE	1:1 SIZE DS
FINAL APPROVAL	SDH	6/98	PROPERTY OF ASCO POWER TECHNOLOGIES. USE PERMITTED FOR OUR WORK ONLY. ALL RIGHTS OF DESIGN OR INVENTION ARE RESERVED.	
			DWG. NO. 619590-001	
			DRAWING ECH 235678 3 OF 3	