

8 7 6 5 4 3 2 1


OUTLINE FOR ASCO 7000 SERIES "D" FRAME TRANSFER SWITCH RATED 30-230 AMPERES, ENCLOSURE TYPE 4X SECURED

GENERAL NOTES

1. TYPE 4X SECURED WALL MOUNTED ENCLOSURE. CONSTRUCTED IN ACCORDANCE WITH UL STANDARDS 50 & 508.
2. 304 STAINLESS STEEL AND CORROSION RESISTANT CONSTRUCTION BODY FINISH #2B, FRONT FINISH #3. (OTHER FINISHES AVAILABLE CONSULT FACTORY)
3. EXTERIOR STAINLESS STEEL DOOR HINGED ON LEFT SIDE WITH STAINLESS STEEL DOOR CLAMPS ON THREE SIDE AND PADLOCK HASP ON RIGHT SIDE.
4. FULL WIRING GUTTERS AT TOP & BOTTOM. NO KNOCKOUTS PROVIDED.
5. OVERALL DIMENSIONS ARE OUTSIDE MEASUREMENTS.
6. THREE POLE SWITCH WITH SOLID NEUTRAL SHOWN FOR REFERENCE
7. REFER TO THE OPERATOR'S MANUAL PROVIDED WITH EACH UNIT BEFORE INSTALLING AND OPERATING THE SWITCH.
8. NEUTRAL CONFIGURATIONS:

AN OPTIONAL FULL RATED NEUTRAL CONFIGURATION FOR EACH SOURCE AND THE LOAD MAY BE PROVIDED. WHEN EQUIPPED IT IS IN ONE OF THE FOLLOWING FORMATS AS SPECIFIED BY THE CATALOG NUMBER NO. NEUTRAL TYPE:

- (A) SOLID (COPPER BUS) NEUTRAL
- (B) SWITCHED NEUTRAL POLE
- (C) OVERLAPPING NEUTRAL POLE

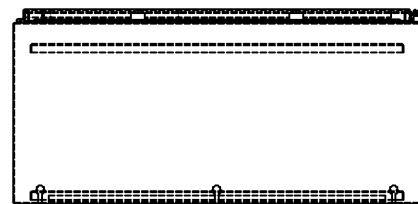
9.  = CENTER OF GRAVITY.

SERIES	CATALOG PREFIX
7000	7ATS 7NTS

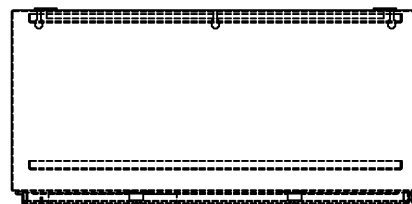
SWITCH RATING (AMPS)	RANGE OF WIRE
30-150	(1) #14 TO 4/0 AWG AL-CU WIRE
200-230	(1) #14 TO 4/0 AWG COPPER WIRE

APPROXIMATE SHIPPING WEIGHT, LBS (KG)

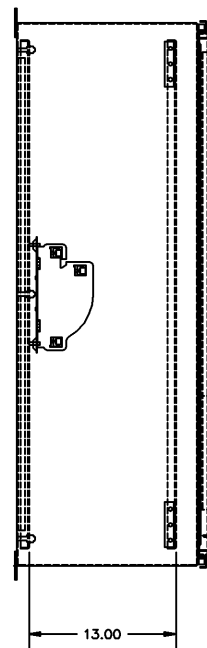
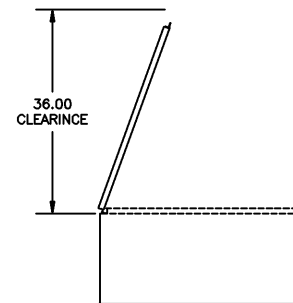
AMP SIZE	POLES	WEIGHT
30-230	2	247 (112)
	B2	250 (113)
	C2	250 (113)
	3	250 (113)
	B3	253 (115)
	C3	253 (115)



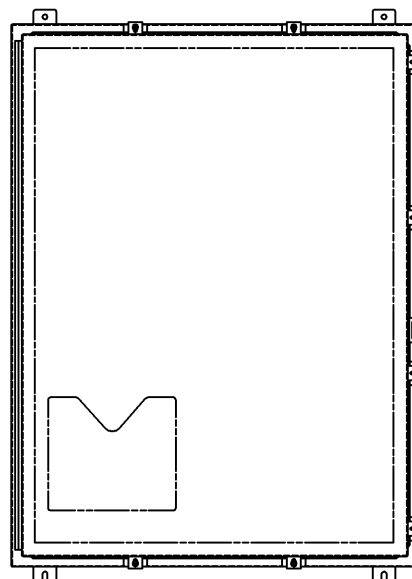
BOTTOM VIEW



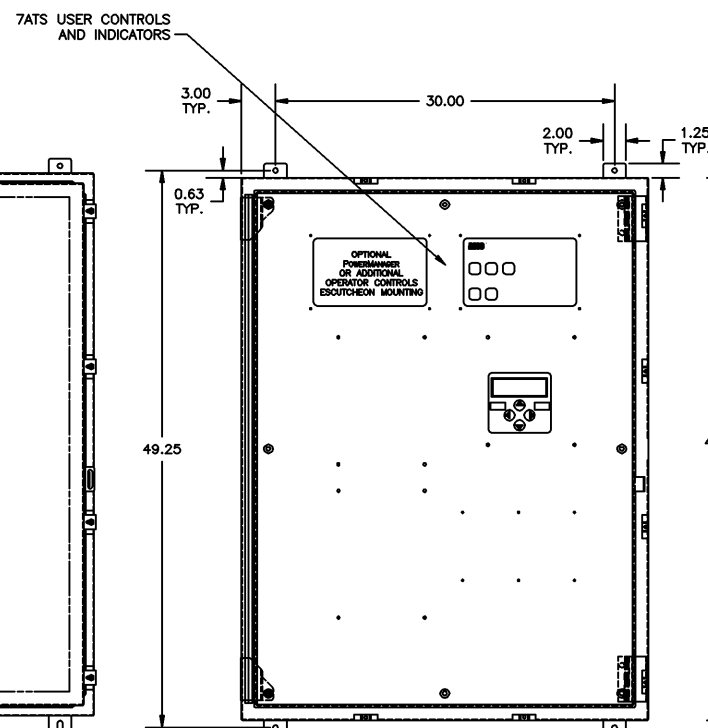
TOP VIEW



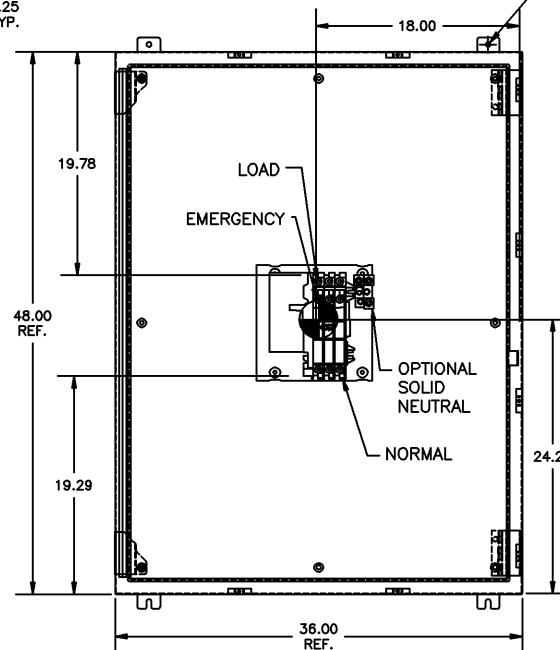
LEFT SIDE



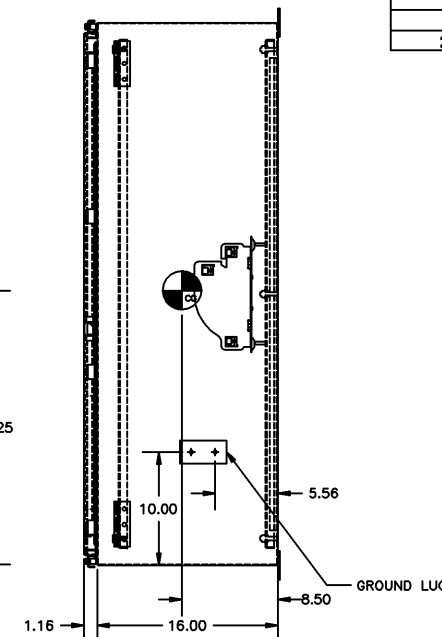
FRONT VIEW WITH EXTERIOR DOOR



FRONT VIEW WITHOUT EXTERIOR DOOR WITH INTERIOR DOOR



FRONT VIEW WITHOUT DOORS



RIGHT SIDE

A	229717	WK	TR	11/22/10
	227702	RF	EL	06/14/10

PROJECT NAME: **OUTLINE & MOUNTING**

7000 SERIES "D" FRAME 30-230 AMPS

TYPE 4X SECURED 304 STAINLESS STEEL

MANUFACTURING TOLERANCES TO BE IN ACCORDANCE WITH ASCO PROCEDURE MP-1-003. FOR PLASTIC PARTS SEE MP-1-005.

PROPERTY OF ASCO POWER TECHNOLOGIES. USE PERMITTED FOR OUR WORK ONLY. ALL RIGHTS OF DESIGN OR INVENTION ARE RESERVED.

ASCO POWER TECHNOLOGIES, L.P.
FLORHAM PARK, NEW JERSEY 07932 U.S.A.

COMPUTER GENERATED DRAWING

SCALE: SIZE DS

DWG. NO. **719687-017**

DRAWING REV. A EGN. NO. 229717 SHEET 1 OF 1