

OUTLINE & MOUNTING FOR ASCO® 7000 SERIES AUTOMATIC & MANUALLY OPERATED TRANSFER SWITCHES TYPE 7ATS & 7MTS - 2600-3000 AMPERES

GENERAL NOTES

1. THE STANDARD SWITCH CONFIGURATION IS FOR TOP EMERGENCY & LOAD AND BOTTOM NORMAL. OPTIONALLY, THE SWITCH MAY BE SUPPLIED WITH REVERSE SOURCES AND/OR BOTTOM LOAD. (REFER TO THE WIRING DIAGRAM FURNISHED WITH EACH TRANSFER SWITCH TO DETERMINE TERMINATION POSITIONS).
2. A FULL RATED NEUTRAL CONNECTION FOR EACH SOURCE AND THE LOAD IS OPTIONAL. WHEN PROVIDED IT IS IN ONE OF THE FOLLOWING FORMATS AS SPECIFIED BY THE CATALOG NO. NEUTRAL TYPE:
 TYPE A: SOLID NEUTRAL BUS
 TYPE B: SWITCHED NEUTRAL POLE
 TYPE C: OVERLAPPING NEUTRAL POLE (NOT AVAILABLE ON 7ADTS UNITS)
3. THE STANDARD MECHANICAL (SCREW TYPE) AL/CU TERMINAL LUGS ARE SHOWN FOR REFERENCE.
4. SWITCH NEUTRAL POLE IS SHOWN FOR REFERENCE.
5. WHEN INSTALLING CONDUCTORS, CONNECT TO SIMILARLY MARKED PHASES OF NORMAL, EMERGENCY & LOAD.
6. ALL INTERNAL CONNECTIONS ARE MADE AT FACTORY.
7. MAINTAIN ELECTRICAL CLEARANCE OF 1 INCH (25.4 mm) BETWEEN LIVE METAL PARTS AND GROUNDED METAL.
8. WHEN MOUNTING THE TRANSFER SWITCH IN THE ENCLOSURE, THE CONTROL PANEL(S) AND OPERATOR CONTROLS SHOULD BE MOUNTED ON THE INSIDE, REAR SURFACE OF THE DOOR. 6 IN. MIN. DEPTU TO TRANSFER SWITCH FOR CONTROLS IS REQUIRED.
9. THE CONTROL PANEL(S) IS CONNECTED TO THE TRANSFER SWITCH BY A HARNESS WITH A QUICK DISCONNECT PLUG(S). THE HARNESS EXITS THE TRANSFER SWITCH ON THE RIGHT SIDE. CONSULT FACTORY FOR EXTENSION HARNESSES.
10. OPTIONAL ACCESSORY ADD-ON PANELS.
11. FOR TYPE 1 ENCLOSURE SEE DETAIL A -1 AND DETAIL B -1 FOR CUTOUT DATA. FOR TYPE 3R ENCLOSURE SEE DETAIL A -2 & DETAIL B -2 FOR CUTOUT DATA. GASKETS AND BEZELS ARE PROVIDED FOR TYPE 3R ENCLOSURE.

SIZE	CABLE ACCOMMODATIONS (PER PHASE & NEUTRAL)
2600-3000	SCREW TYPE (STANDARD)- (12) 1/0 - 750 MCM AL/CU

NOTE : CONSULT FACTORY FOR OTHER CABLING & TERMINATION REQUIREMENTS.

AMP SIZE	BUS BAR PER PHASE BOLTING SURFACE
2600 THRU 3000	0.25 X 4.00 IN, 6.4 X 101.6 MM

AMP SIZE	DIMENSIONS									
	A	B	C	D	E	F	G	H	J	K
2600 & 3000	33.27 845.1	28.00 711.2	24.00 609.6	31.75 806.5	6.88 174.8	—	8.20 208.3	.68 17.27	1.75 44.45	1.09 27.69

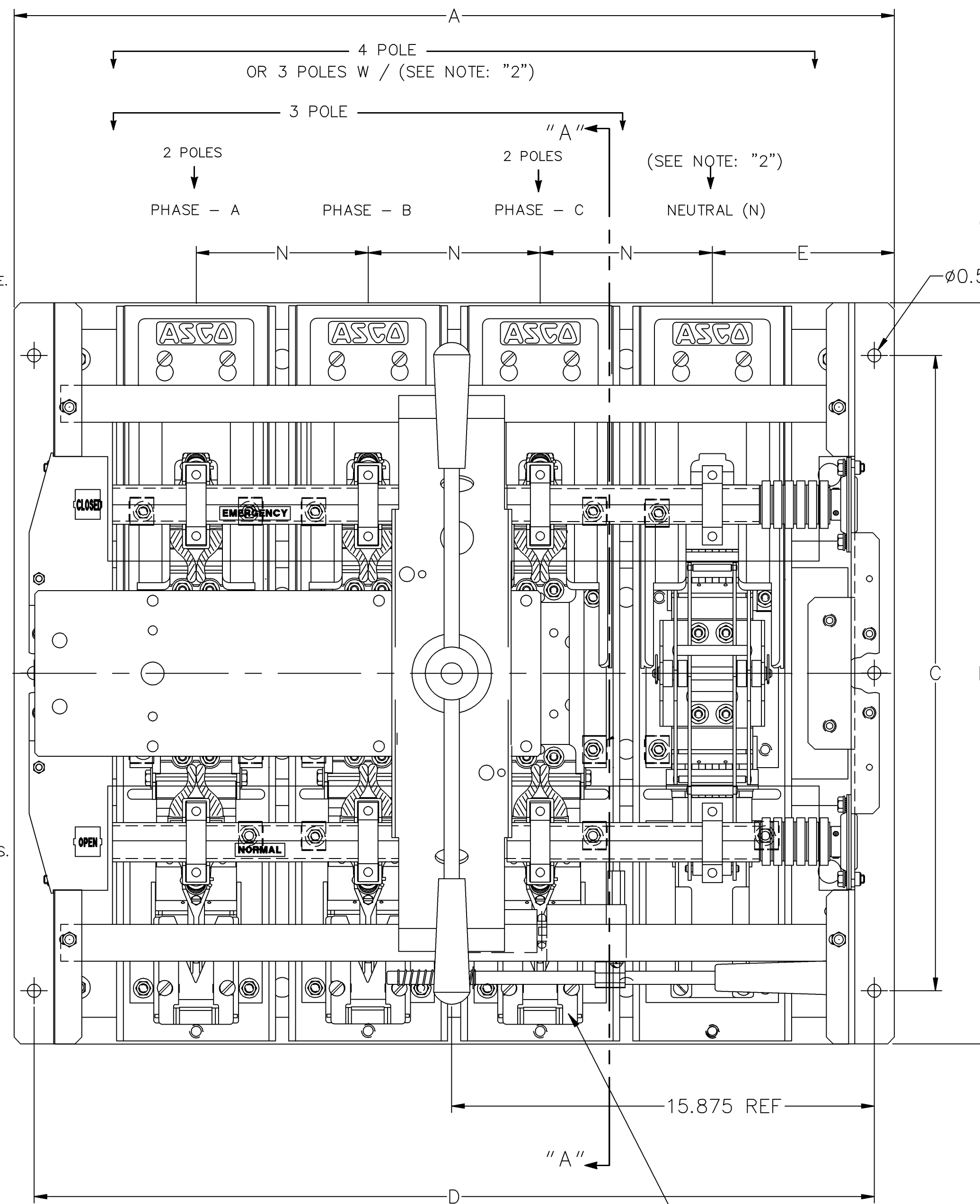
AMP SIZE	DIMENSIONS									
	L	M	N	P	Q	R	S	T	U	V
2600 & 3000	1.37 34.80	9.00 228.6	6.50 165.1	2.18 55.37	—	2.00 50.8	14.9 378.5	—	—	25.29 642.4

AMP SIZE	DIMENSIONS									
	W	X	Y	Z	AA	AB	AC	AD	AE	AF
2600 & 3000	12.36 313.9	—	—	6.90 175.3	5.69 144.5	—	—	—	22.00 558.8	—

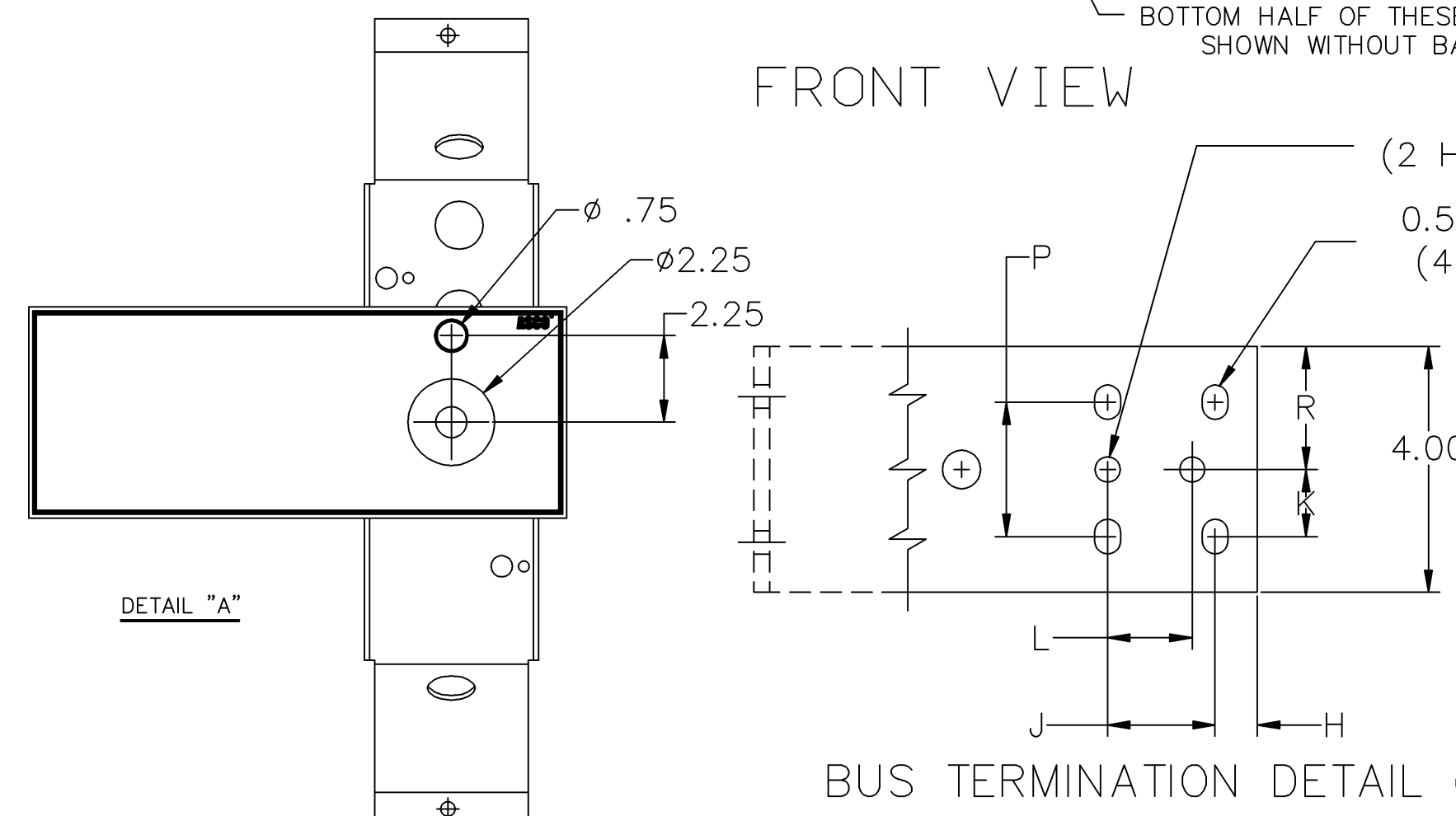
AMP SIZE	DIMENSIONS						
	AG	AH	AJ	AK	AL	AM	AN
2600 & 3000	—	—	—	12.25 311.2	9.75 247.7	12.00 304.8	11.00 279.4

MINIMUM REQUIRED ENCLOSURE SIZE INCH (mm)

SWITCH RATING (AMPS)	HEIGHT	WIDTH	DEPTH
2600 & 3000	90 (2286)	38 (965)	60 (1524)



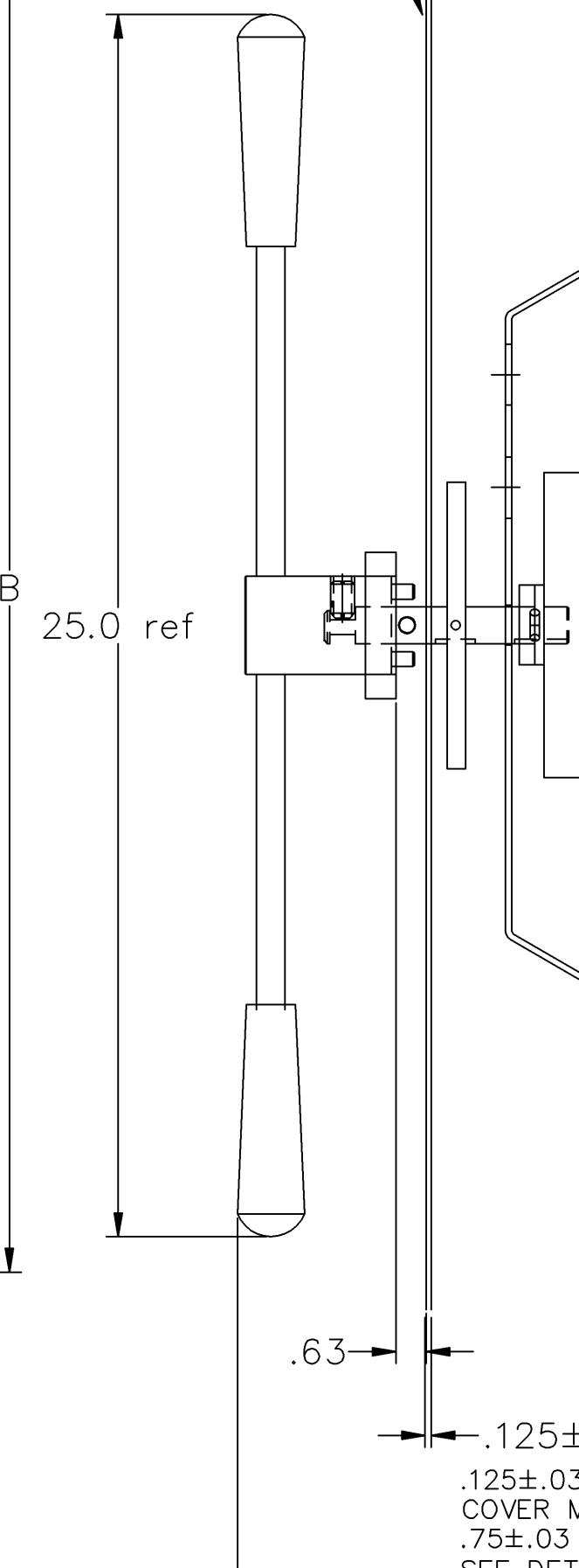
FRONT VIEW



FRONT VIEW

BUS TERMINATION DETAIL (TYP.)

INSIDE OF DOOR
CUSTOMER SUPPLIED FRONT DOOR



SECTION "A-A"

.125±.03 THK. CUSTOMER SUPPLIED FRONT COVER. COVER MUST HAVE A 2.25 ±.03 DIA. AND .75±.03 DIA HOLES ON SWITCH CENTER LINES. SEE DETAIL "A"

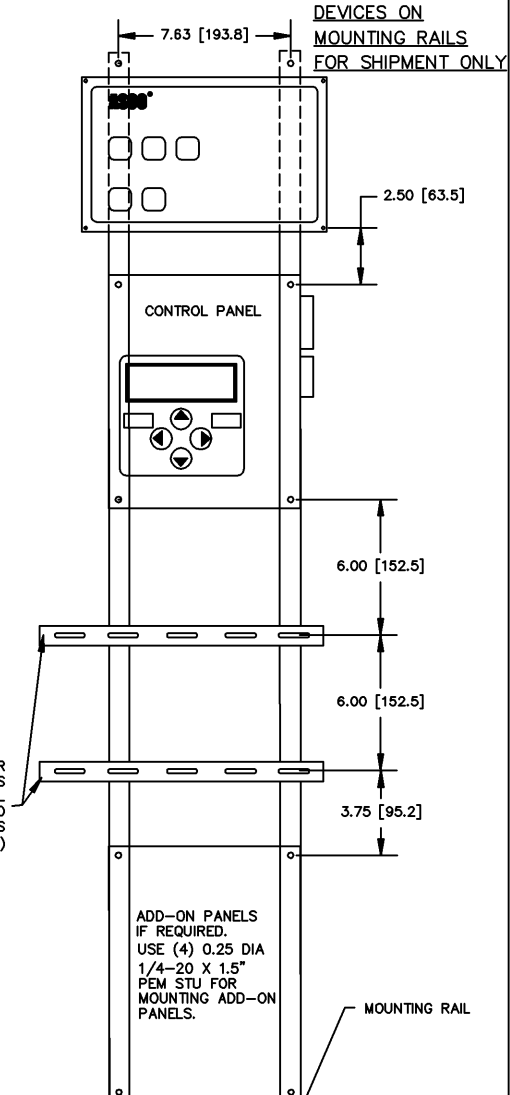
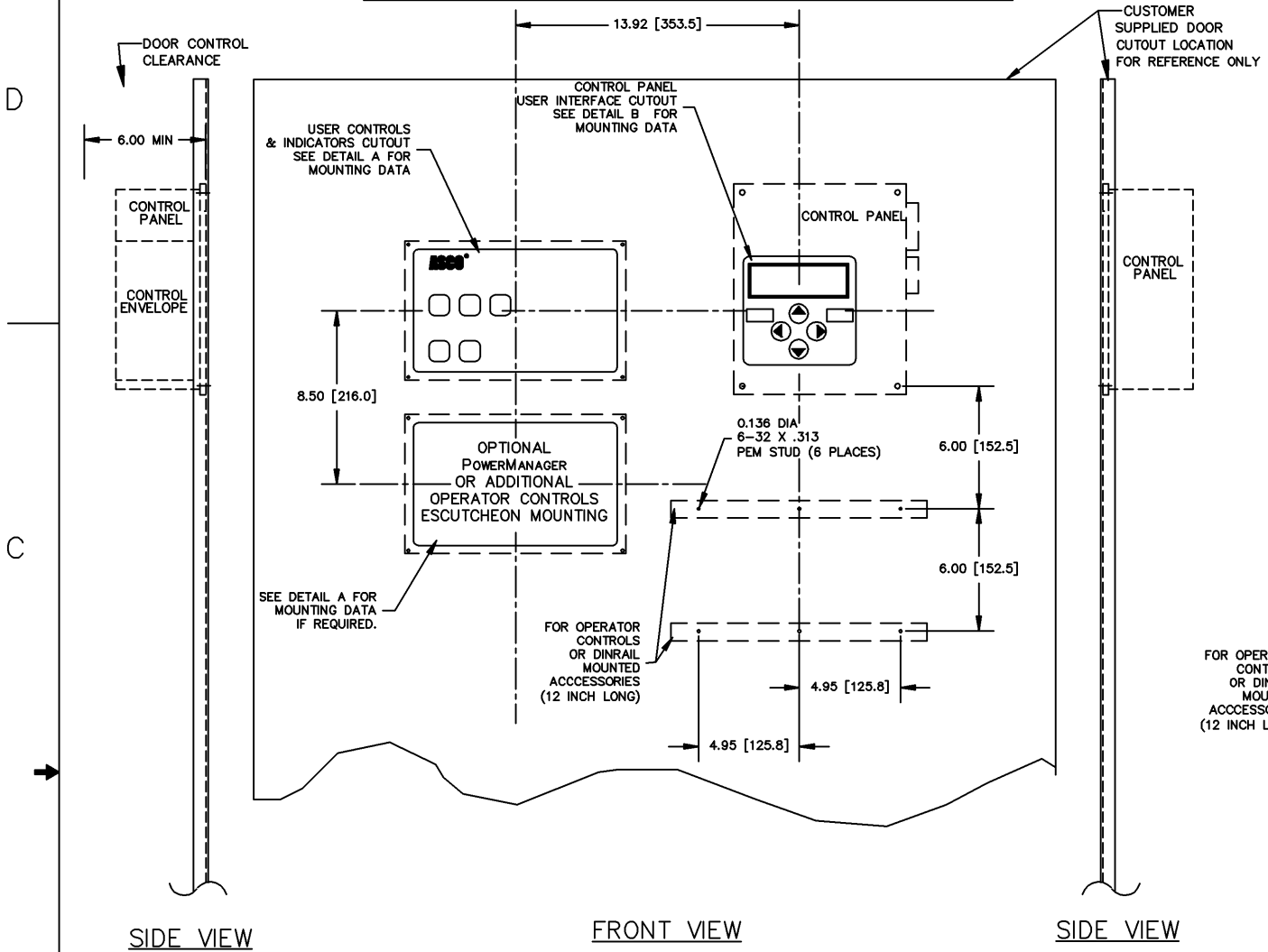
SECTION "A-A"

26.00 SHOWN OUT POSITION
25.48 IN POSITION

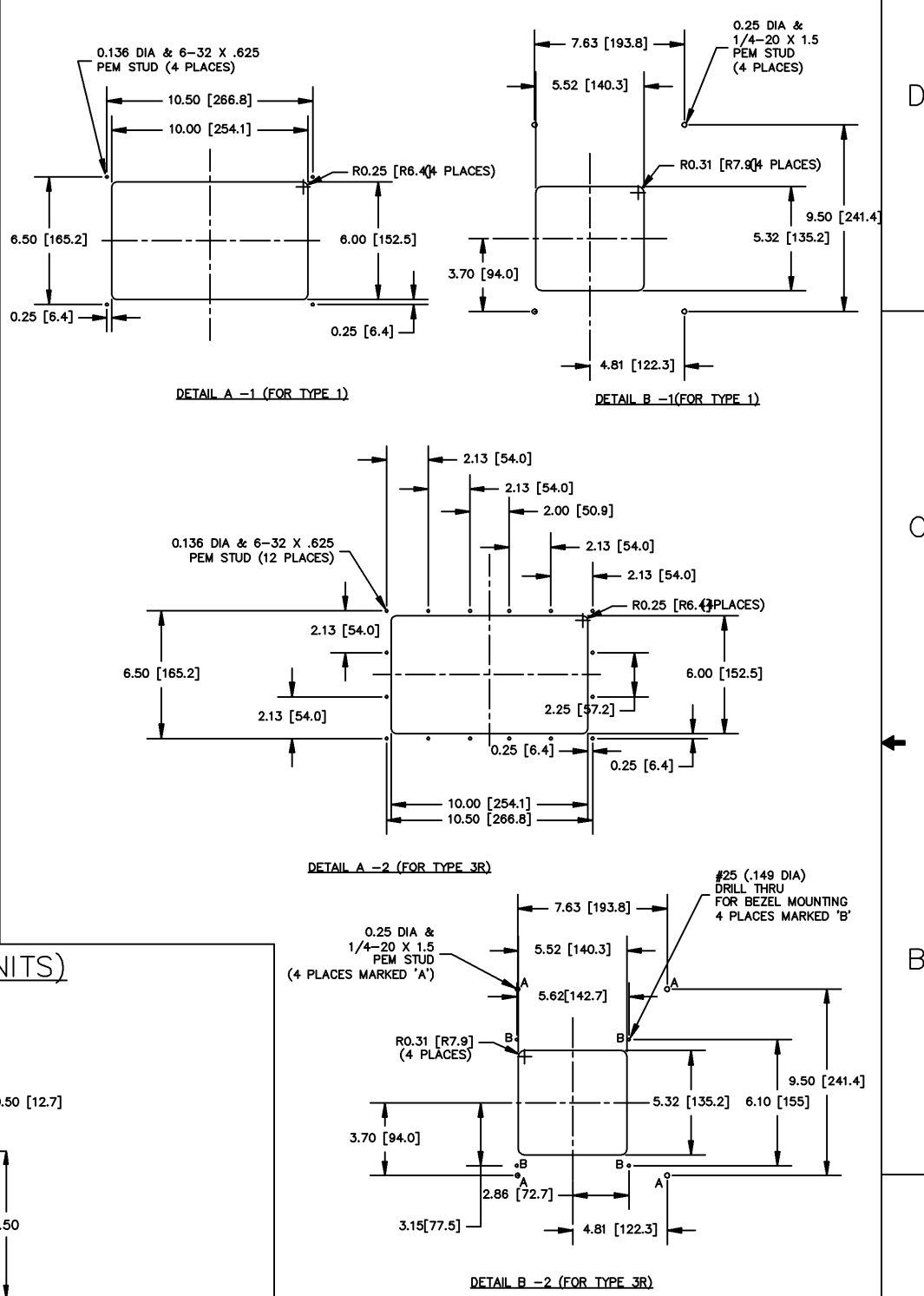
PROJECT NAME:		COMPOSITE OUTLINE		7000 SERIES TS W/35		2600-3000 AMP		
BY	DATE	MANUFACTURING TOLERANCES TO BE IN ACCORDANCE WITH ASCO PROCEDURE MP-1-003. FOR PLASTIC PARTS SEE MP-1-055				ASSEM. REF. NO.		
CHECKED	BK	11/06/01	PROPERTY OF ASCO POWER TECHNOLOGIES. USE PERMITTED FOR OUR WORK ONLY. ALL RIGHTS OF DESIGN OR INVENTION ARE RESERVED.				SCALE	1:1
DRAWING APPROVAL	WK	11/06/01	ASCO® ASCO POWER TECHNOLOGIES, L.P. FLOHAM PARK, NEW JERSEY 07932 U.S.A.				SIZE	DWG. NO. DS725400-002
FINAL APPROVAL			CHANGE LETTER	ECN NO.	211621	SHEET	1 OF 2	

OUTLINE & MOUNTING FOR ASCO® 7000 SERIES AUTOMATIC & MANUALLY OPERATED TRANSFER SWITCHES TYPE 7ATS & 7MTS - 2600-3000 AMPERES

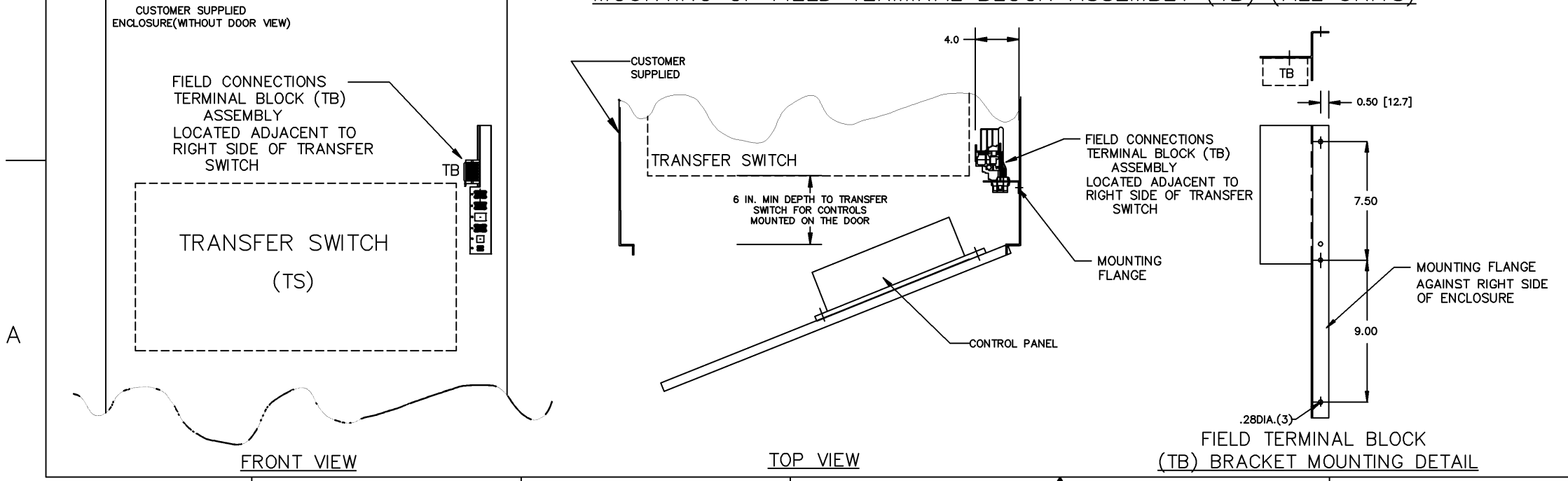
CONTROL PANEL & CONTROLS MOUNTING



CONTROL PANEL & CONTROLS MOUNTING DATA



MOUNTING OF FIELD TERMINAL BLOCK ASSEMBLY (TB) (ALL UNITS)



PROJECT NAME:		COMPOSITE OUTLINE		7000 SERIES TS W/35		2600-3000 AMP	
DRAWN BY: DJB		DATE: 11/06/01		CHECKED BY: BK		DATE: 11/06/01	
ISSUED		ECON NO.:		BY APP.:		DATE:	
SUBSIDIARY DISTRIBUTION		SCALE: 1:1		ACAD FILE		ASSEMBLY NO.:	
PROPERTY OF ASCO POWER TECHNOLOGIES, USE PERMITTED FOR OUR WORK ONLY. ALL RIGHTS OF DESIGN OR INVENTION ARE RESERVED.		ASCO POWER TECHNOLOGIES, L.P.		FLORHAM PARK, NEW JERSEY 07932 U.S.A.		DRAWING NO. DS 725400-002	
CHANGE LETTER:		ECON NO.:		BY APP.:		DATE:	
211621		BK		BK		01/30/07	
159892		A.M		WK		1/23/02	
159278		WK		WK		11/06/01	