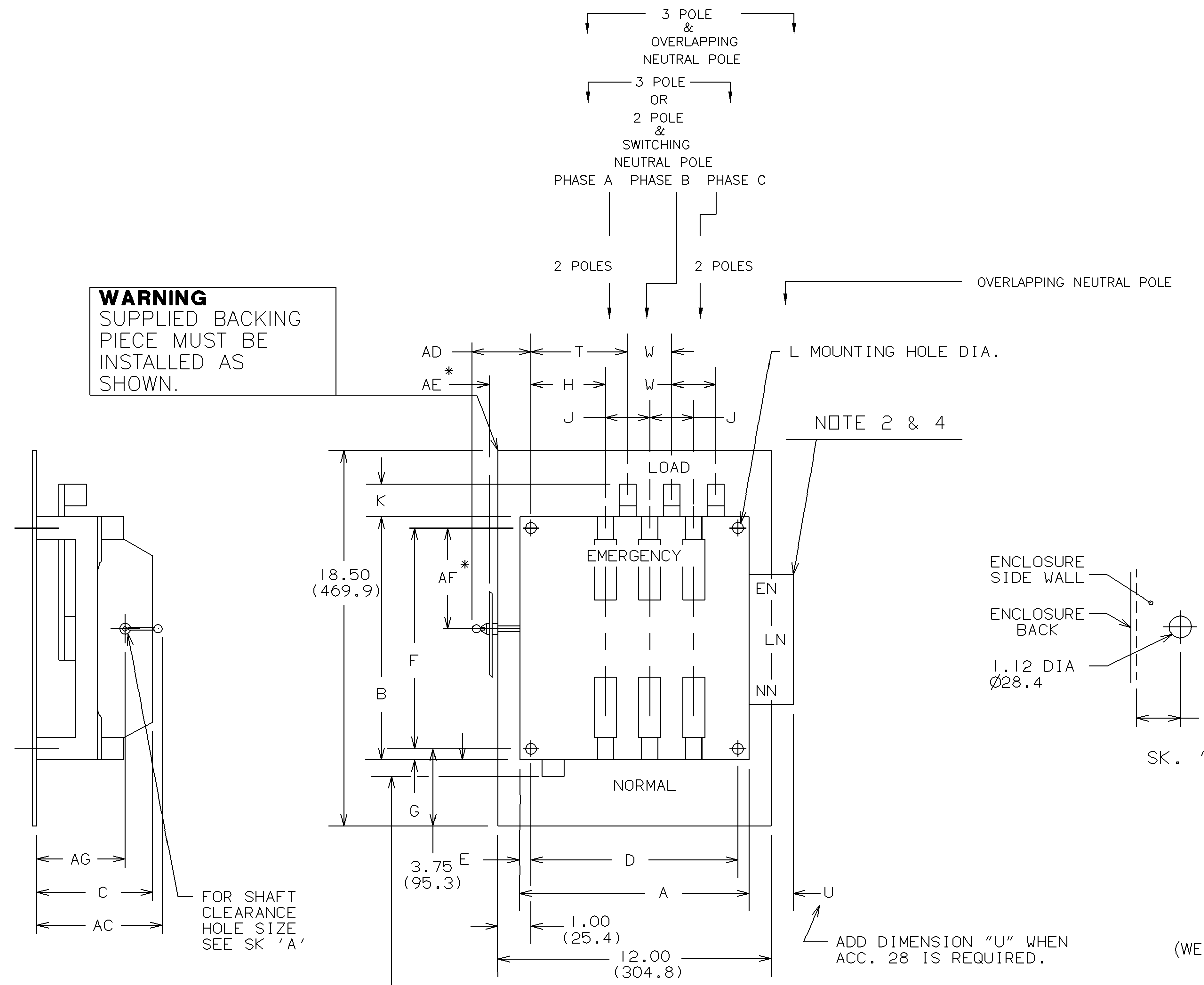


# OUTLINE & MOUNTING FOR ASCO 7000 SERIES AUTOMATIC TRANSFER SWITCH TYPE 7ATS RATED 260 THRU 400 AMPERES



## GENERAL NOTES

1. THE STANDARD SWITCH CONFIGURATION IS FOR TOP EMERGENCY & LOAD AND BOTTOM NORMAL. OPTIONALLY, THE SWITCH MAY BE SUPPLIED WITH REVERSE SOURCES AND/OR BOTTOM LOAD. (REFER TO THE WIRING DIAGRAM FURNISHED WITH EACH TRANSFER SWITCH TO DETERMINE TERMINATION POSITIONS).
2. A FULL RATED NEUTRAL CONNECTION FOR EACH SOURCE AND THE LOAD IS OPTIONAL. WHEN PROVIDED IT IS IN ONE OF THE FOLLOWING FORMATS AS SPECIFIED BY THE CATALOG NO. NEUTRAL TYPE;
  - TYPE A: SOLID NEUTRAL BUS (SUPPLIED LOOSE)
  - TYPE B: SWITCHED NEUTRAL POLE (AVAILABLE ONLY ON 2 POLE UNITS)
  - TYPE C: OVERLAPPING NEUTRAL POLE
3. THE STANDARD MECHANICAL (SCREW TYPE) AL/CU TERMINAL LUGS ARE SHOWN FOR REFERENCE.
4. SWITCH OVERLAPPING NEUTRAL POLE IS SHOWN FOR REFERENCE.
5. WHEN INSTALLING CONDUCTORS, CONNECT TO SIMILARLY MARKED PHASES OF NORMAL, EMERGENCY & LOAD.
6. ALL INTERNAL CONNECTIONS ARE MADE AT FACTORY.
7. MAINTAIN ELECTRICAL CLEARANCE OF 1 INCH (25.4 mm) BETWEEN LIVE METAL PARTS AND GROUNDED METAL.
8. WHEN MOUNTING THE TRANSFER SWITCH IN AN ENCLOSURE, MOUNT THE TRANSFER SWITCH UNIT ON THE INSIDE BACK SURFACE OF THE ENCLOSURE. THE CONTROL(S) PANEL AND OPERATOR CONTROLS SHOULD BE MOUNTED ON THE INSIDE, REAR SURFACE OF THE DOOR. A MINIMUM DEPTH OF 6 INCHES IS REQUIRED BETWEEN THE TRANSFER SWITCH AND THE CONTROLS WHEN THE DOOR IS CLOSED.
9. THE CONTROL PANEL(S) IS CONNECTED TO THE TRANSFER SWITCH BY A HARNESS WITH A QUICK DISCONNECT PLUG(S). THE HARNESS EXITS THE TRANSFER SWITCH ON THE RIGHT SIDE. CONSULT FACTORY FOR EXTENSION HARNESSES.
10. FOR TYPE 1 ENCLOSURE SEE DETAIL A -1 AND DETAIL B -1 FOR CUTOUT DATA. FOR TYPE 3R, 4, & 12 ENCLOSURE SEE DETAIL A -2 AND DETAIL B -2 FOR CUTOUT DATA. GASKETS ARE PROVIDED FOR TYPE 3R, 4, & 12 ENCLOSURES. A BEZEL FOR THE CONTROL PANEL IS ALSO PROVIDED FOR TYPE 3R, 4, & 12 ENCLOSURES.
11. AN OPERATOR'S MANUAL IS FURNISHED WITH EACH AUTOMATIC TRANSFER SWITCH. REFER TO THIS PUBLICATION PRIOR TO INSTALLATION AND OPERATION OF THE SWITCH.

STANDARD OVERHANG IS 50.8 (2.0)  
 MAXIMUM OVERHANG IS 127 (5.0) WHEN ADDITIONAL AUXILIARY CONTACTS ARE SUPPLIED

UNIT WEIGHT, Kg (LBS)  
 (WEIGHT INCLUDES STANDARD TRANSFER SWITCH & CONTROLS)

AMP SIZE	POLES	WEIGHT LBS(Kg)
260 & 400	2	42 (19)
	B2	50 (22.7)
	C2	50 (22.7)
	3	50 (22.7)
	C3	58 (26.3)

### EXTERNAL POWER CONNECTIONS

SWITCH RATING	RANGE OF AL-CU WIRE SIZE
260-400	TWO #1/0 AWG TO 250 MCM OR ONE #4 AWG TO 600 MCM

SUGGESTED BOLT SIZE FOR MOUNTING A.T.S.:  
 1/4-20 X 3 INCH LONG MINIMUM QUANTITY (4)

2 AND 3 POLE WITH AND WITHOUT ACC. 28

DIMENSIONS																			
A	B	C	D	E	F	G	H	J	K	L	T	U	W	AC	AD	AE	AF	AG	
11.00	12.00	6.87	10.00	0.50	11.00	0.50	3.87	2.12	2.12	0.31	4.93	3.00	2.12	7.90	6.5	3.50	4.25	3.40	IN
279.4	304.8	174.5	254.0	12.7	279.4	12.7	98.3	53.8	53.8	Ø7.9	125.2	76.2	53.8	200.7	165.1	88.9	108.0	86.4	mm

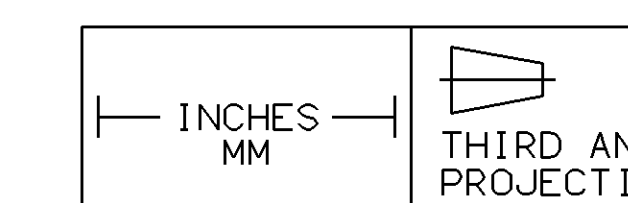
\* THESE DIMENSIONS MUST BE MAINTAINED TO A TOLERANCE OF ±0.015, 0.4 MM.

MINIMUM REQUIRED ENCLOSURE SIZE IN(mm)

SWITCH RATING (AMPS)	HIGHT	WIDTH	DEPTH
260-400 AMPS	48.00 (1219,2)	18.00 (457,2)	13.00 (330,2)

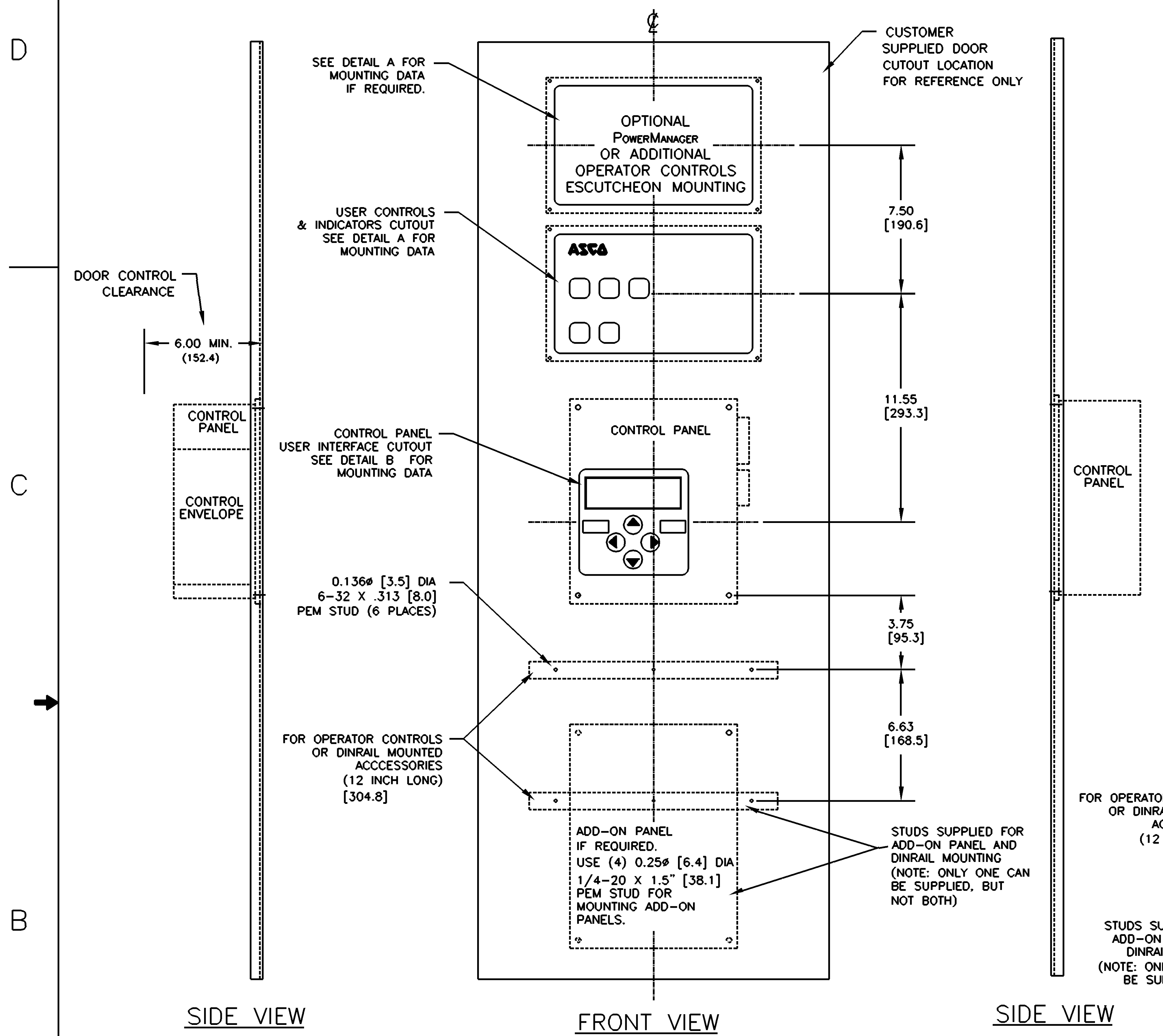
C	163622	BK	BK	5/7/03
	SEE ECN			
B	160927	WK	WK	08/15/02
	SEE ECN			
A	156290	BK	JJC	3/10/01
	SEE ECN			
-	149323	WL	JJC	9/98
	ISSUED			

PROJECT NAME:		COMPOSITE OUTLINE	
7000 SERIES TS		260 & 400 AMP W/ACC. 35	
THIRD ANGLE PROJECTION	ASSEMBLY REF. NO.	SCALE	ACAD FILE A4
SIZE	DWG. NO.	DS621165-004	SHEET 1 OF 2
CHANGE LETTER C	ECN NO. 163622	ASCO POWER TECHNOLOGIES, L.P. FLORHAM PARK, NEW JERSEY 07932 U.S.A.	

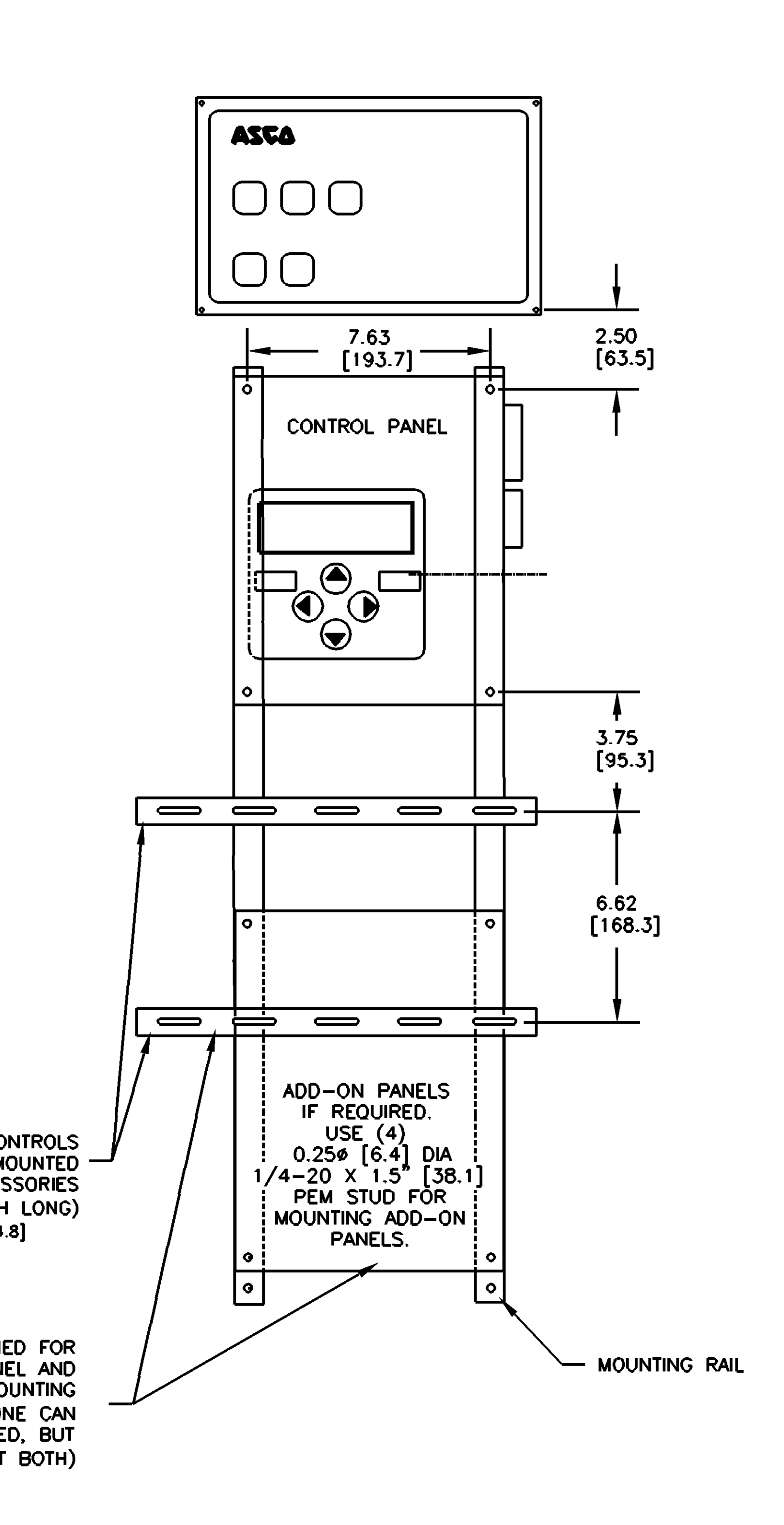


# OUTLINE & MOUNTING FOR ASCO 7000 SERIES AUTOMATIC TRANSFER SWITCH TYPE 7ATS RATED 260 THRU 400 AMPERES

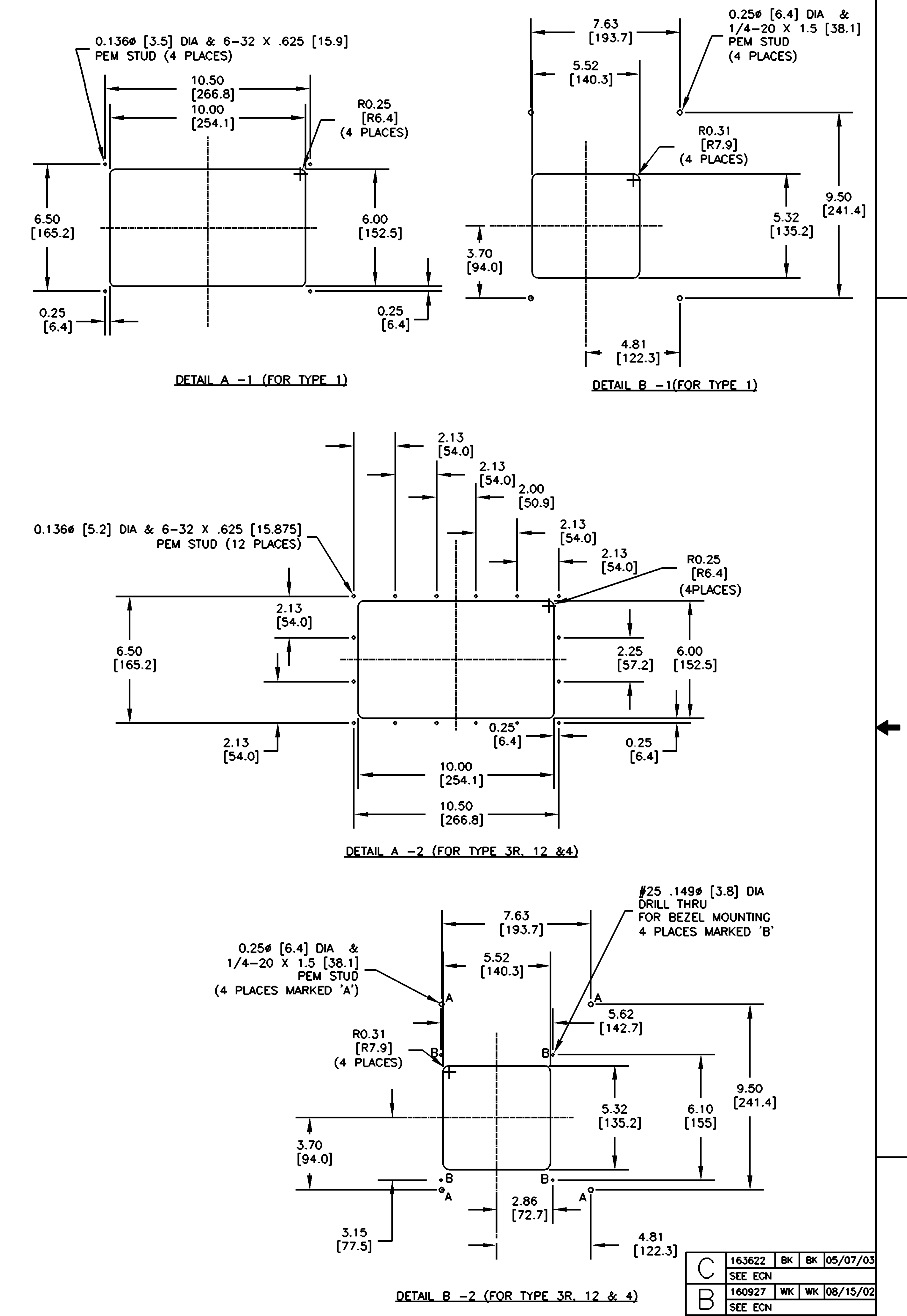
## CONTROL PANEL & CONTROLS MOUNTING



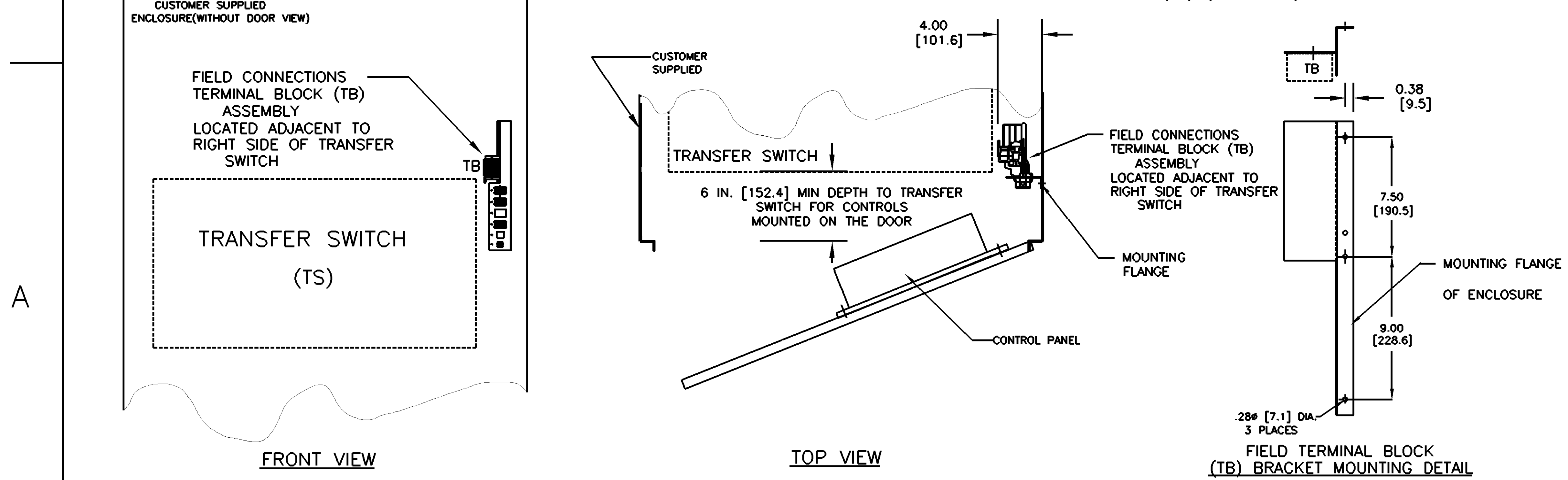
## DEVICES ON MOUNTING RAILS (FOR SHIPPING ONLY)



## CONTROL PANEL & CONTROLS MOUNTING DATA



## MOUNTING OF FIELD TERMINAL BLOCK ASSEMBLY (TB) (ALL UNITS)



PROJECT NAME:		COMPOSITE OUTLINE		163622 BK BK 05/07/03	
7000 SERIES TS		THIRD ANGLE PROJECTION		SEE ECH	
260 & 400 AMP W/ACC. 35		SUBSIDIARY DISTRIBUTION		160927 WK WK 08/15/02	
DRAWN BY: WL 9/98		SCALE: ACAD FILE AS		SEE ECH	
CHECKED: FDN 9/98		ASSET REF. NO.		156290 BK JJC 3/10/01	
DRAFTING APPROVAL: RR 9/98		PROPERTY OF ASCO POWER TECHNOLOGIES. USE PERMITTED FOR OUR WORK ONLY. ALL RIGHTS OF DESIGN OR INVENTION ARE RESERVED.		SEE ECH	
FINAL APPROVAL: JJC 9/98		ASCO POWER TECHNOLOGIES, L.P. FLORHAM PARK, NEW JERSEY 07932 U.S.A.		149323 WL JJC 9/98	
MANUFACTURING TOLERANCES TO BE IN ACCORDANCE WITH ASCO PROCEDURE MP-1-003. FOR PLASTIC PARTS SEE MP-1-005.		SIZE: DS621165-004		ISSUED	
ASCO		COMPUTER GENERATED DRAWING		CHANGE LETTER	
ECH NO. 163622		SHEET 2 OF 2		ECH NO. BY APP. DATE	