

OUTLINE FOR ASCO 7000 SERIES 1000-2000 AMPERE "G" FRAME (MTS,ATS WITH ACC. 35) REAR CONNECTED TRANSFER SWITCH TYPE 3R SECURE ENCLOSURE

GENERAL NOTES

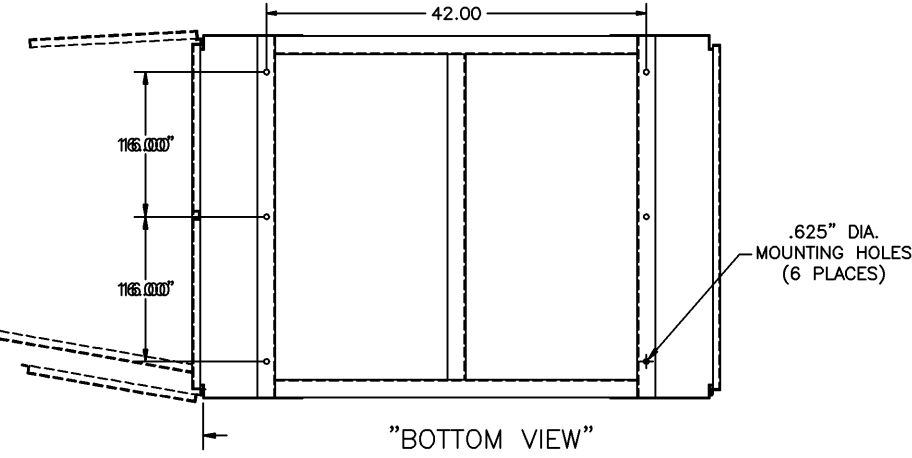
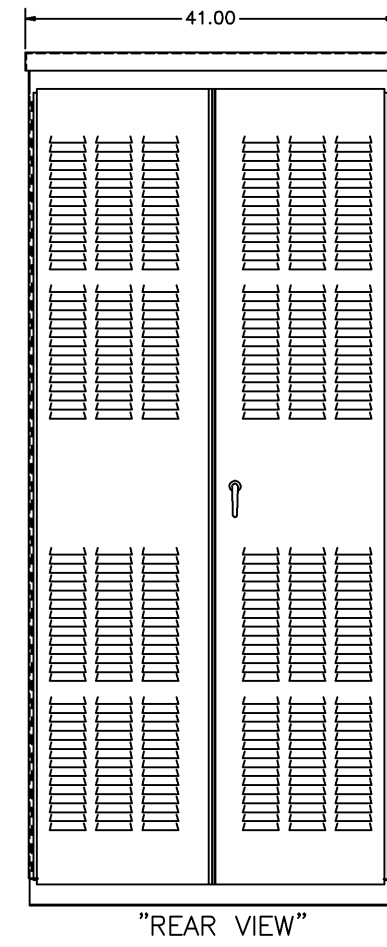
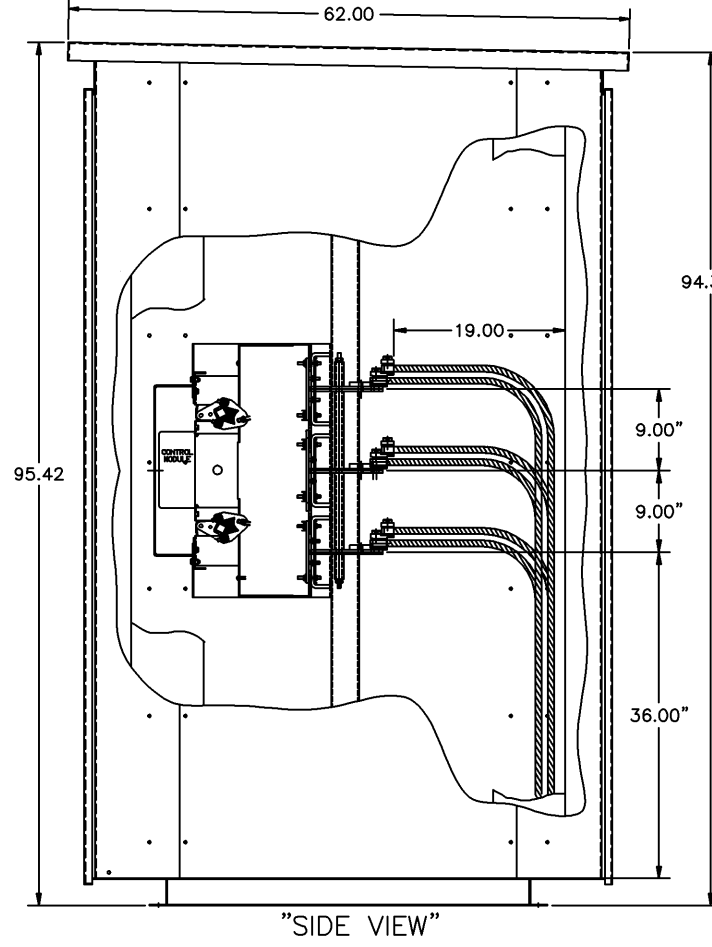
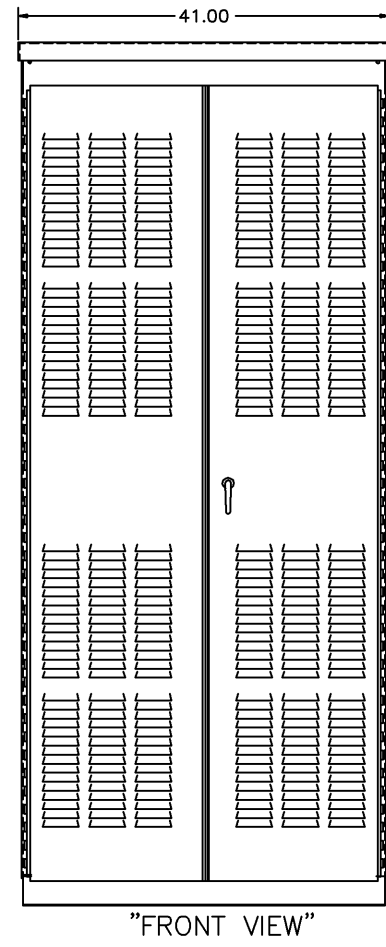
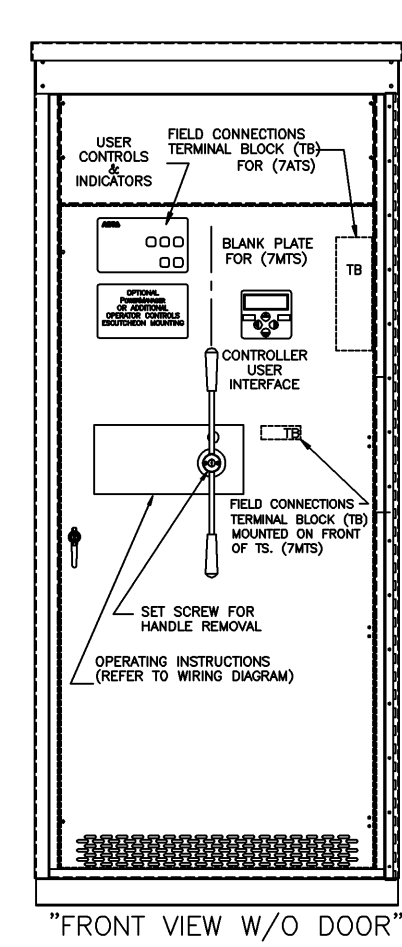
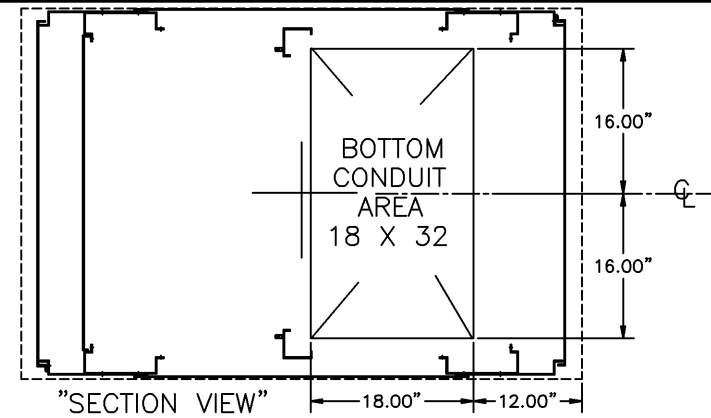
1. TYPE 3R RAINPROOF ENCLOSURE. FREE STANDING. FLOOR MOUNTED. 12 GAUGE FORMED FRAME CONSTRUCTION.
2. NEC STANDARD GAUGE PAN TYPE DOOR WITH LOCKABLE HANDLE.
3. FINISH: ASA 61 GRAY, POLYESTER POWDER. UL RECOGNIZED.
4. CONSTRUCTION IS IN ACCORDANCE WITH APPLICABLE REQUIREMENTS OF UL 1008.
5. RECOMMENDED CLEARANCES:
FRONT: 45 INCHES
6. A 20% RATED GROUND BUS IS PROVIDED AT THE REAR OF THE ENCLOSURE.
7. UNIT IS DESIGNED FOR BOTTOM CABLE ENTRY.
8. THE STANDARD SWITCH CONFIGURATION IS FOR TOP EMERGENCY & LOAD AND BOTTOM NORMAL. OPTIONALLY, THE SWITCH MAY BE SUPPLIED WITH REVERSE SOURCES AND/OR BOTTOM LOAD. (REFER TO THE WIRING DIAGRAM FURNISHED WITH EACH TRANSFER SWITCH TO DETERMINE TERMINATION POSITIONS).
9. A FULL RATED NEUTRAL CONNECTION FOR EACH SOURCE AND THE LOAD IS OPTIONAL. WHEN PROVIDED IT IS IN ONE OF THE FOLLOWING FORMATS AS SPECIFIED BY THE CATALOG NO. NEUTRAL TYPE:
A. SOLID (COPPER BUS) NEUTRAL
B. SWITCHED NEUTRAL POLE
C. OVERLAPPING NEUTRAL POLE (NOT AVAILABLE ON 7ACTS/ADTS UNITS)
10. NO KNOCKOUTS ARE PROVIDED.
11. EXTERIOR VENTS ARE SUPPLIED WITH POLYESTER DUST FILTERS.

CABLING NOTES FOR 1000-1200

1. ALL SIZES SUPPLIED STANDARD WITH MECHANICAL (SCREW TYPE) LUGS ON THE NORMAL, EMERGENCY & LOAD BUS STABS. ONE (1) LUG PER PHASE AND NEUTRAL EACH SUITABLE FOR CONNECTION OF FOUR (4) 750MCM - 1/0 CU/AL CABLE (SEE NOTE "E" BELOW).
A. LUG MATERIAL: ALUMINUM ALLOY 6061-T6 WITH ELECTRO TIN PLATED FINISH.
B. SCREW MATERIAL: ALUMINUM ALLOY 6262-T9 WITH ELECTRO TIN PLATED FINISH.
C. UL LISTED, CSA CERTIFIED.
D. LUG SCREW TIGHTENING TORQUE PER UL 486B: 19 FT-LBS.
E. SUITABLE WIRE BENDING SPACE IS PROVIDED FOR UP TO FOUR (4) 600MCM CABLES PER TERMINAL PER NEC.
2. OPTIONAL COPPER CRIMP LUGS MAY BE SUPPLIED. UP TO FOUR (4) TWO HOLE, LONG BARREL CU CRIMP LUGS RATED FOR UP TO 600MCM. (REFER TO CRIMP LUG INSTALLATION DATA PROVIDED WITH UNIT FOR FULL INSTALLATION DETAILS).
A. LUG MATERIAL: HIGH CONDUCTIVITY WROUGHT COPPER FINISH, ELECTRO TIN PLATED.
B. UL LISTED, CSA CERTIFIED.
C. LUG MOUNTING HARDWARE TIGHTENING TORQUE: (REFER TO WITHSTAND CURRENT RATING LABEL PROVIDED ON EACH TRANSFER SWITCH).
D. SUITABLE WIRE BENDING SPACE IS PROVIDED FOR UP TO FOUR (4) 600MCM CABLES PER TERMINAL PER NEC.
3. CONSULT FACTORY FOR OTHER TERMINATION REQUIREMENTS.

CABLING NOTES FOR 1600-2000

1. ALL SIZES SUPPLIED STANDARD WITH MECHANICAL (SCREW TYPE) LUGS ON THE NORMAL, EMERGENCY & LOAD BUS STABS. ONE (1) LUG PER PHASE AND NEUTRAL EACH SUITABLE FOR CONNECTION OF SIX (6) 750MCM - 1/0 CU/AL CABLE (SEE NOTE "E" BELOW).
A. LUG MATERIAL: ALUMINUM ALLOY 6061-T6 WITH ELECTRO TIN PLATED FINISH.
B. SCREW MATERIAL: ALUMINUM ALLOY 6262-T9 WITH ELECTRO TIN PLATED FINISH.
C. UL LISTED, CSA CERTIFIED.
D. LUG SCREW TIGHTENING TORQUE PER UL 486B: 19 FT-LBS.
E. SUITABLE WIRE BENDING SPACE IS PROVIDED FOR UP TO SIX (6) 600MCM CABLES PER TERMINAL PER NEC.
2. OPTIONAL COPPER CRIMP LUGS MAY BE SUPPLIED. UP TO SIX (6) TWO HOLE, LONG BARREL CU CRIMP LUGS RATED FOR UP TO 600MCM. (REFER TO CRIMP LUG INSTALLATION DATA PROVIDED WITH UNIT FOR FULL INSTALLATION DETAILS).
A. LUG MATERIAL: HIGH CONDUCTIVITY WROUGHT COPPER FINISH, ELECTRO TIN PLATED.
B. UL LISTED, CSA CERTIFIED.
C. LUG MOUNTING HARDWARE TIGHTENING TORQUE: (REFER TO WITHSTAND CURRENT RATING LABEL PROVIDED ON EACH TRANSFER SWITCH).
D. SUITABLE WIRE BENDING SPACE IS PROVIDED FOR UP TO SIX (6) 600MCM CABLES PER TERMINAL PER NEC.
3. CONSULT FACTORY FOR OTHER TERMINATION REQUIREMENTS.
4. GROUND LUGS ARE PROVIDED STANDARD AS FOLLOWS:
(18) 750MCM - 1/0 CU/AL CABLE



31.00" MINIMUM DOOR CLEARANCE FOR FRONT AND REAR.

F	21661B	KH	WK	1/3/08
SEE ECH				
E	216510	KH	WK	1/02/08
SEE ECH				
J	231920	LK	RN	05/06/11
SEE ECH				
H	228070	AE	WK	09/20/10
SEE ECH				
G	222765	KH	WK	05/06/08
SEE ECH				

PROJECT NAME: 7MTS		REV. TO SHEET	ECH NO.	BY	APP.	DATE
COMPOSITE OUTLINE						
7MTS,7ATS 1000-2000 AMP TYPE 3R SECURE						
DRAWN BY	CT	DATE	9/27/00	MANUFACTURING TOLERANCES TO BE IN ACCORDANCE WITH ASCO PROCEDURE MP-1-003. FOR PLASTIC PARTS SEE MP-1-005	ASSEMB. REF. NO.	COMPUTER GENERATED DRAWING
CHECKED	WK	DATE	9/27/00	PROPERTY OF ASCO POWER TECHNOLOGIES. USE PERMITTED FOR OUR WORK ONLY. ALL RIGHTS OF DESIGN OR INVENTION ARE RESERVED.	SCALE	1:1 SIZE DS
FINAL APPROVAL				ASCO POWER TECHNOLOGIES, L.P. FLORHAM PARK, NEW JERSEY 07832 U.S.A.	DWG. NO.	609798-004
					DRAWING J	ECH 231920