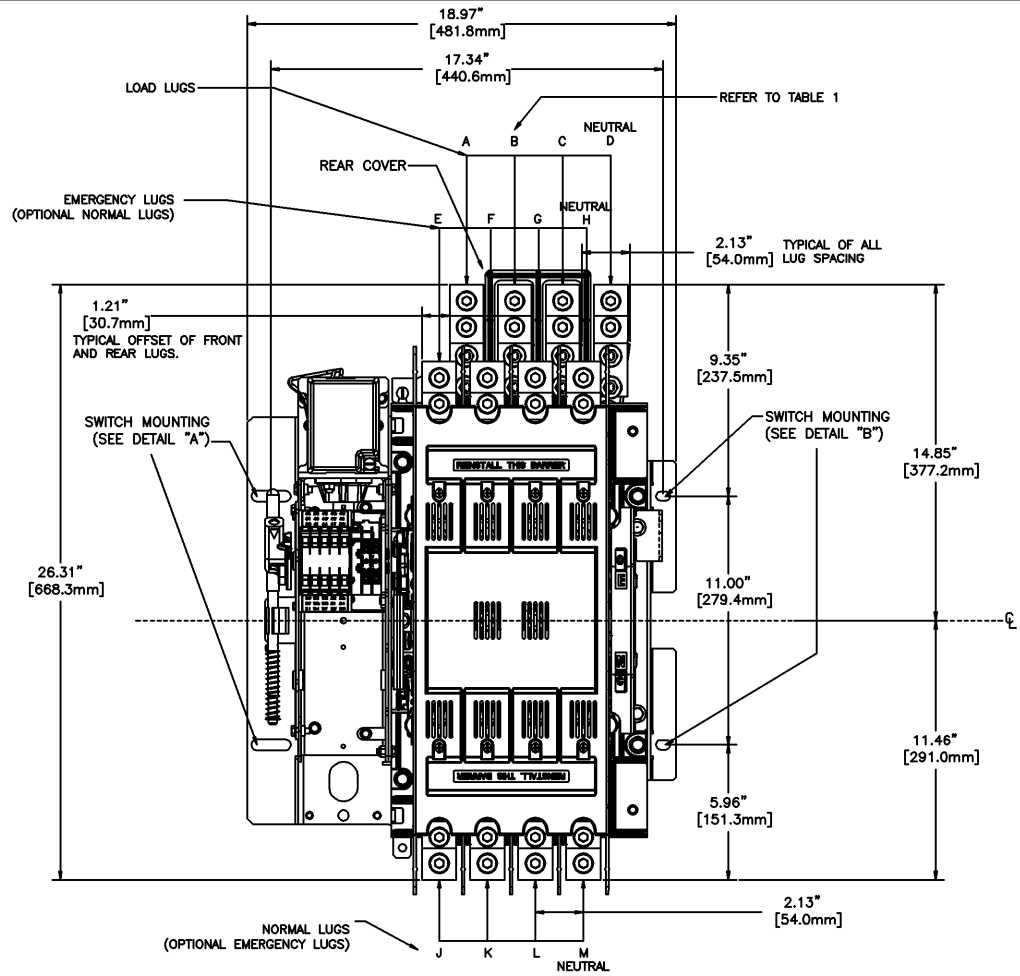
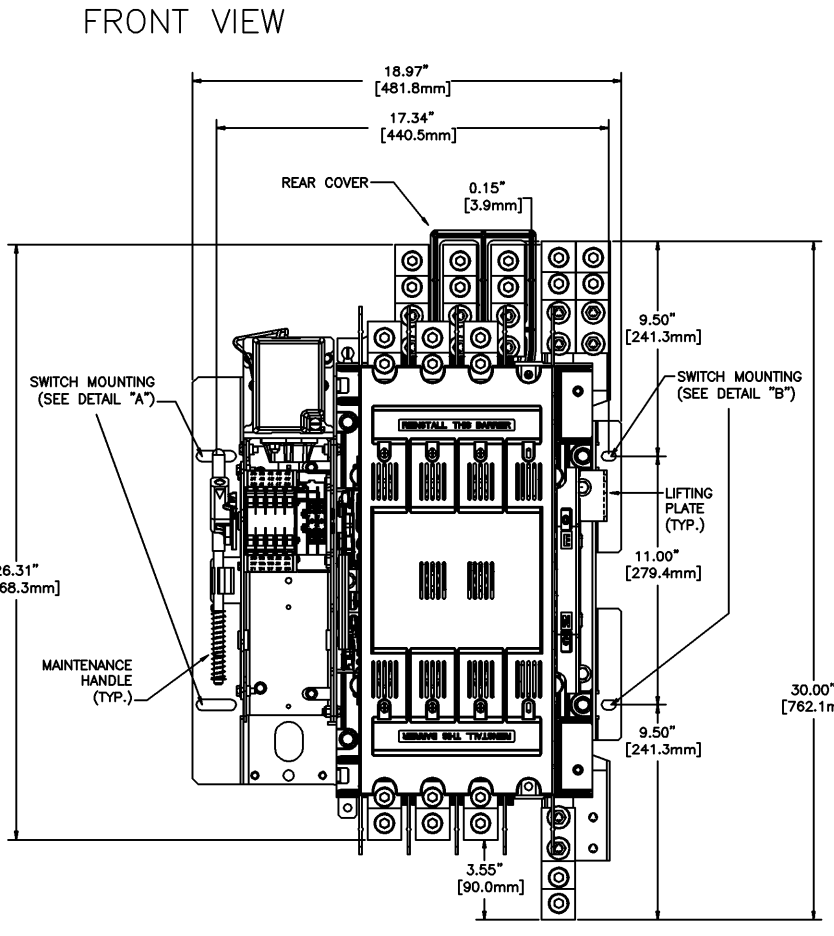


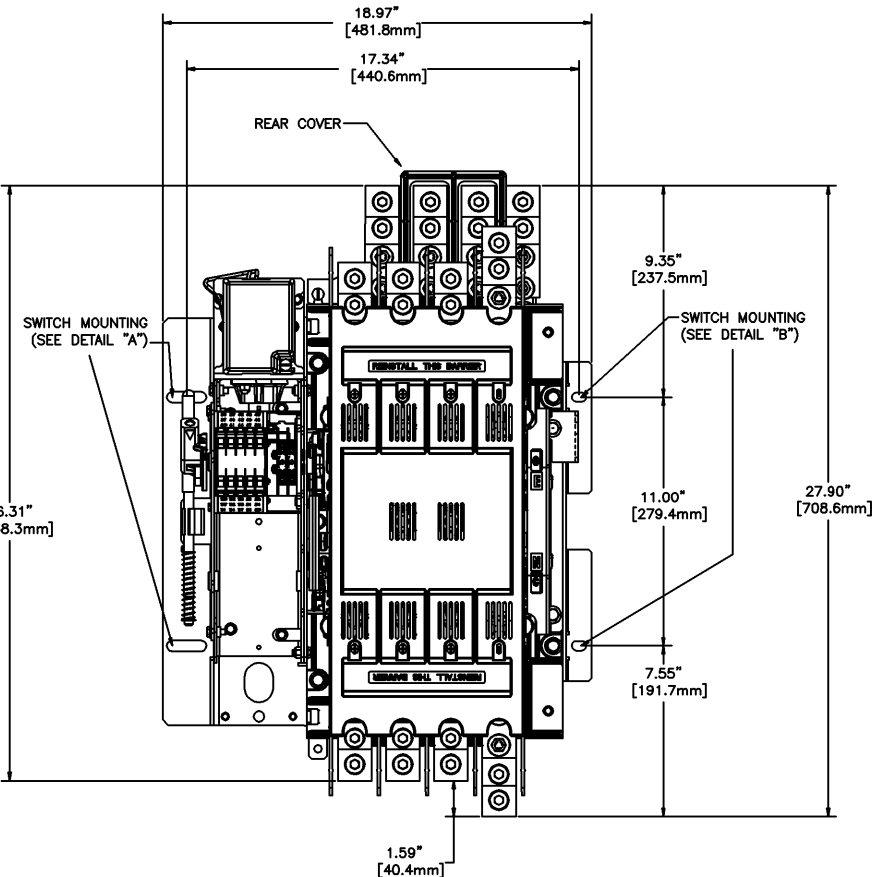
OUTLINE FOR ASCO® 4000 & 7000 SERIES 600 AMPERE "J" FRAME (ATS,ACTS,ADTS) FRONT CONNECTED TRANSFER SWITCHES OPEN TYPE



600 AMP ATS W/ SWITCHING NEUTRAL



600 AMP ATS W/ SOLID NEUTRAL



600 AMP ATS W/ OVERLAPPING NEUTRAL

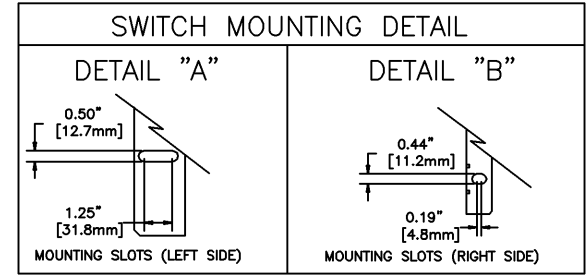
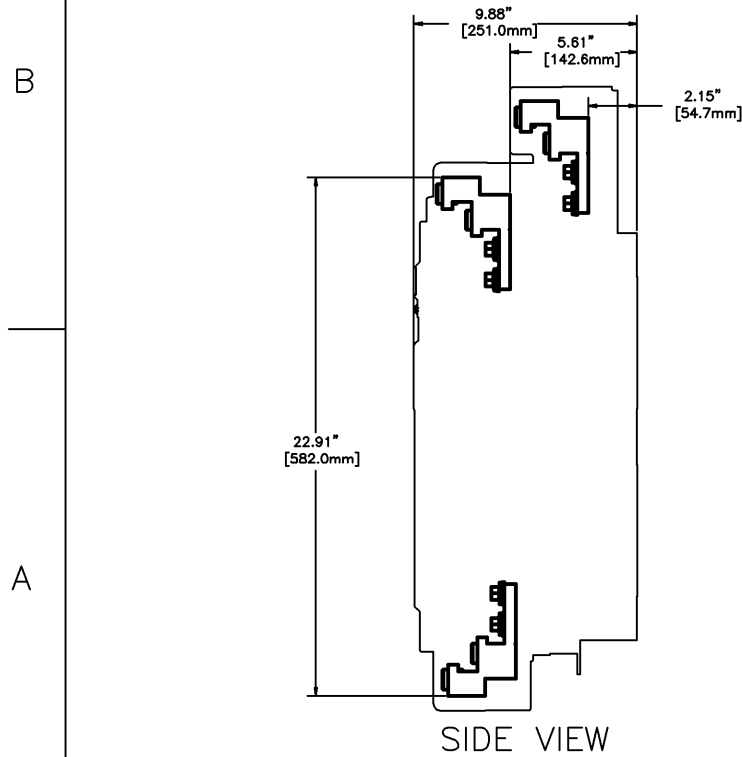


TABLE 1: POLE LOCATIONS

POLES	A	B	C	D	E	F	G	H	J	K	L	M
2	LL1		LL2	LLO	EL1		EL2	ELO	NL1		NL2	NLO
3	LA	LB	LC	LN	EA	EB	EC	EN	NA	NB	NC	NN

600 AMP UNITS APPROXIMATE SHIPPING WEIGHT, LBS (KG)

SWITCH TYPE	POLES	WEIGHTS LB (KG)
ATS	2	73 (33)
ATS	3	80 (36)
ATS	4	87 (39)
CTS/DTS	2	89 (40)
CTS/DTS	3	96 (44)
CTS/DTS	4	103 (47)

PROJECT NAME: OUTLINE 4000/7000 SERIES 600A OPEN TYPE

THIRD ANGLE PROJECTION

MANUFACTURING TOLERANCES TO BE IN ACCORDANCE WITH ASCO PROCEDURE MP-1-003. FOR PLASTIC PARTS SEE MP-1-005.

ASCO POWER TECHNOLOGIES, LP. FLORHAM PARK, NEW JERSEY 07932 U.S.A.

SCALE: 1:1 ACAD FILE

SIZE: DS780143

CHANGE A LETTER

209625 WK BK 08/03/06

SEE ECH 205933 BWM JPB 9/05

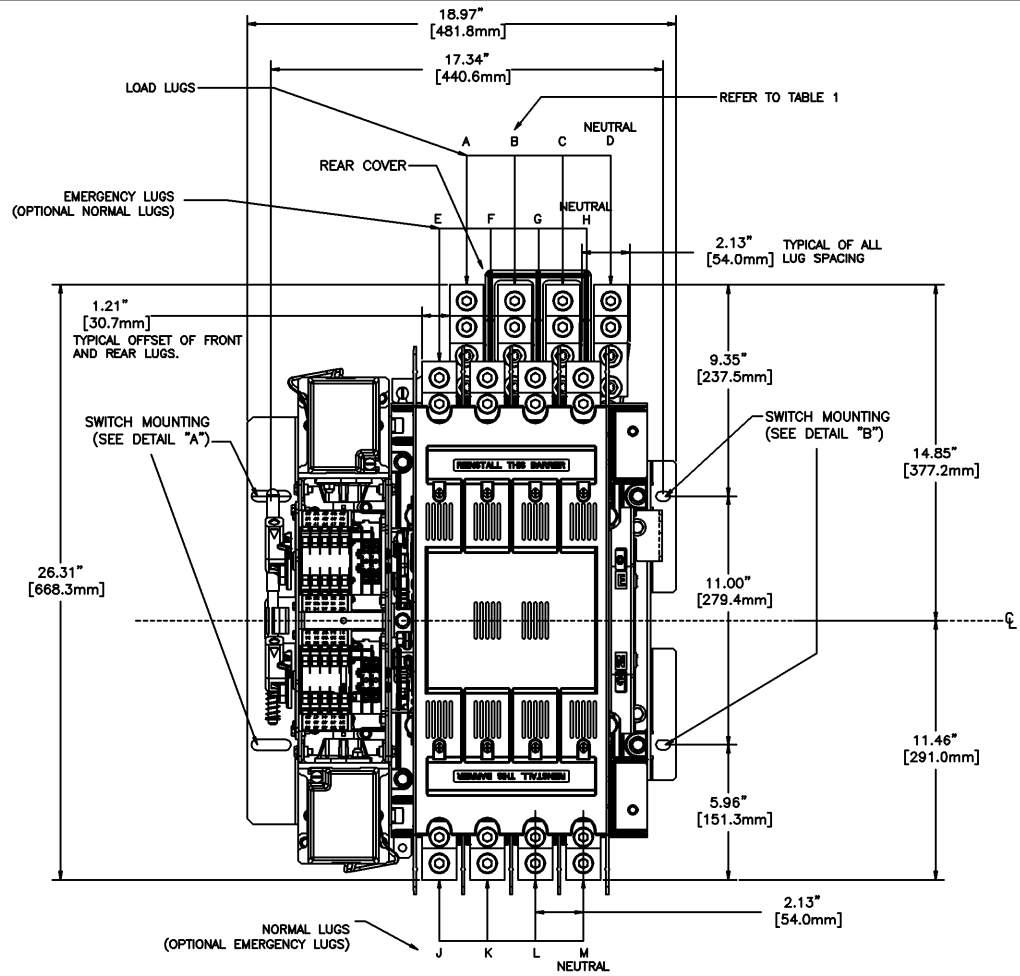
ISSUE

CHANGE LETTER ECH NO. BY APP. DATE

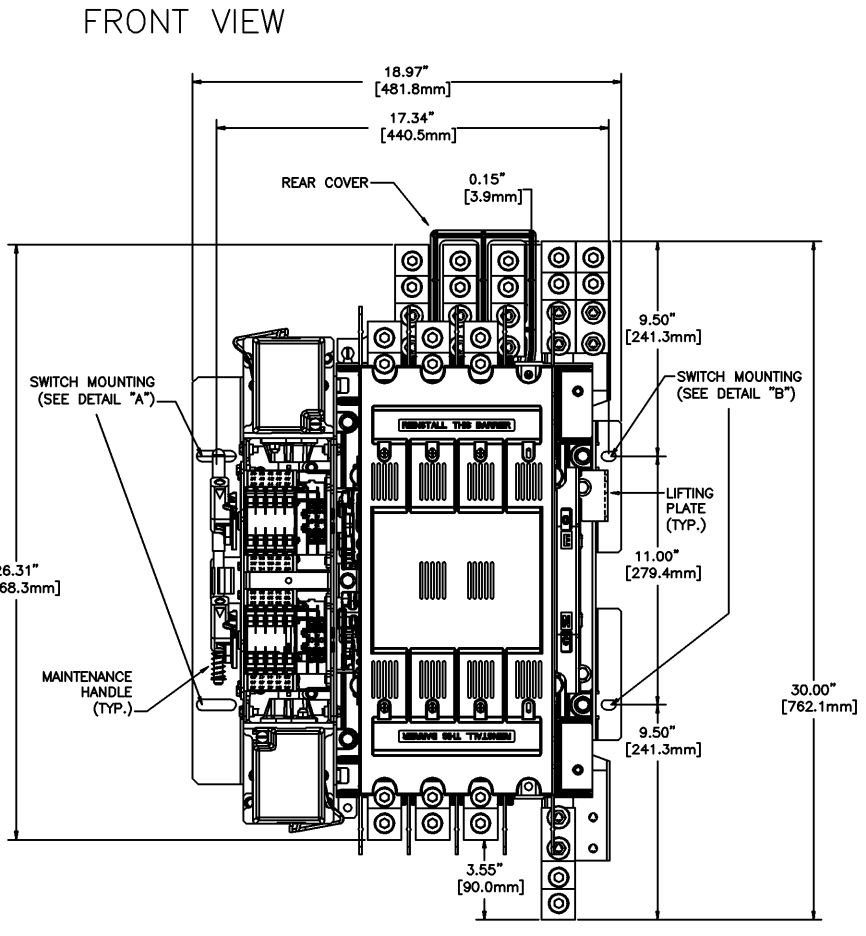
SUBSIDIARY DISTRIBUTION

AE AM AL AR AS AT AU AV AW AX AY AZ BA BB BC BD BE BF BG BH BI BJ BK BL BM BN BO BP BQ BR BS BT BU BV BW BX BY BZ CA CB CC CD CE CF CG CH CI CJ CK CL CM CN CO CP CQ CR CS CT CU CV CW CX CY CZ DA DB DC DD DE DF DG DH DI DJ DK DL DM DN DO DP DQ DR DS DT DU DV DW DX DY DZ EA EB EC ED EE EF EG EH EI EJ EK EL EM EN EO EP EQ ER ES ET EU EV EW EX EY EZ FA FB FC FD FE FF FG FH FI FJ FK FL FM FN FO FP FQ FR FS FT FU FV FW FX FY FZ GA GB GC GD GE GF GG GH GI GJ GK GL GM GN GO GP GQ GR GS GT GU GV GW GX GY GZ HA HB HC HD HE HF HG HH HI HJ HK HL HM HN HO HP HQ HR HS HT HU HV HW HX HY HZ IA IB IC ID IE IF IG IH IJ IK IL IM IN IO IP IQ IR IS IT IU IV IW IX IY IZ JA JB JC JD JE JF JG JH JI JJ JK JL JM JN JO JP JQ JR JS JT JU JV JW JX JY JZ KA KB KC KD KE KF KG KH KI KJ KK KL KM KN KO KP KQ KR KS KT KU KV KW KX KY KZ LA LB LC LD LE LF LG LH LI LJ LK LL LM LN LO LP LQ LR LS LT LU LV LW LX LY LZ MA MB MC MD ME MF MG MH MI MJ MK ML MN MO MP MQ MR MS MT MU MV MW MX MY MZ NA NB NC ND NE NF NG NH NI NJ NK NL NM NO NP NQ NR NS NT NU NV NW NX NY NZ OA OB OC OD OE OF OG OH OI OJ OK OL OM ON OO OP OQ OR OS OT OU OV OW OX OY OZ PA PB PC PD PE PF PG PH PI PJ PK PL PM PN PO PP PQ PR PS PT PU PV PW PX PY PZ QA QB QC QD QE QF QG QH QI QJ QK QL QM QN QO QP QQ QR QS QT QU QV QW QX QY QZ RA RB RC RD RE RF RG RH RI RJ RK RL RM RN RO RP RQ RR RS RT RU RV RW RX RY RZ SA SB SC SD SE SF SG SH SI SJ SK SL SM SN SO SP SQ SR SS ST SU SV SW SX SY SZ TA TB TC TD TE TF TG TH TI TJ TK TL TM TN TO TP TQ TR TS TT TU TV TW TX TY TZ UA UB UC UD UE UF UG UH UI UJ UK UL UM UN UO UP UQ UR US UT UY UZ VA VB VC VD VE VF VG VH VI VJ VK VL VM VN VO VP VQ VR VS VT VU VV VW VX VY VZ WA WB WC WD WE WF WG WH WI WJ WK WL WM WN WO WP WQ WR WS WT WY WZ XA XB XC XD XE XF XG XH XI XJ XK XL XM XN XO XP XQ XR XS XT XU XV XW XX XY XZ YA YB YC YD YE YF YG YH YI YJ YK YL YM YN YO YP YQ YR YS YT YU YV YW YX YZ ZA ZB ZC ZD ZE ZF ZG ZH ZI ZJ ZK ZL ZM ZN ZO ZP ZQ ZR ZS ZT ZU ZV ZW ZX ZY ZZ

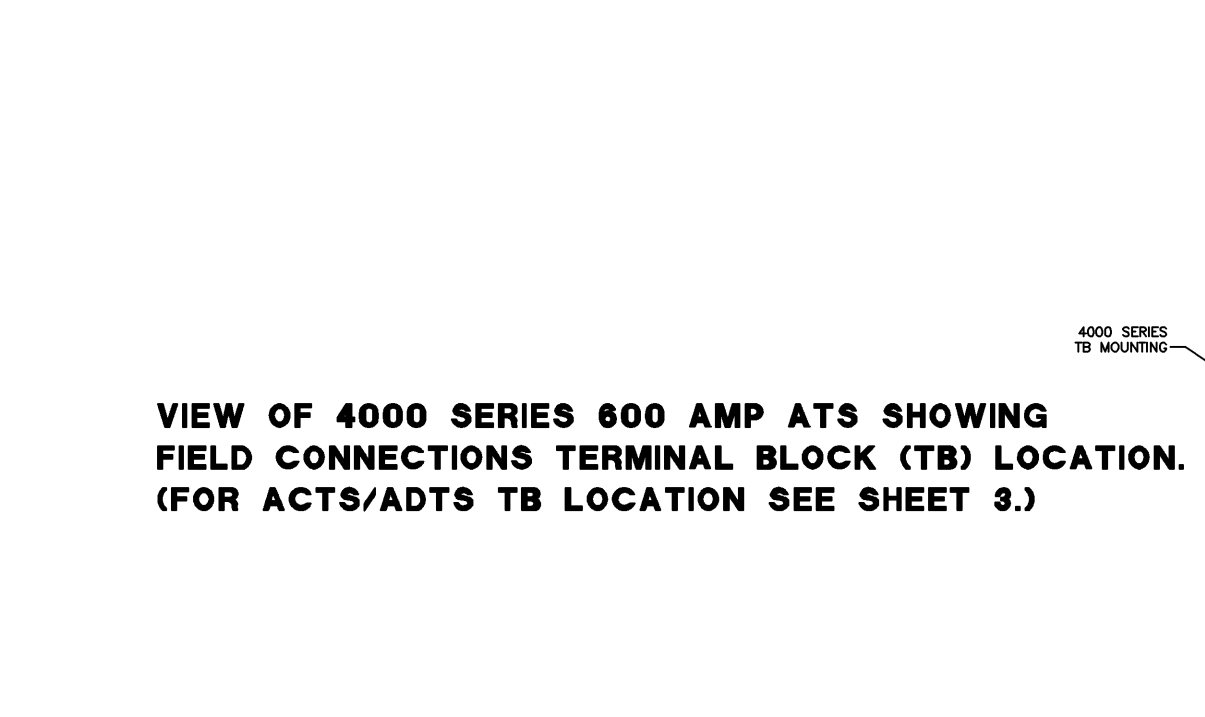
OUTLINE FOR ASCO® 4000 & 7000 SERIES 600 AMPERE "J" FRAME (ATS,ACTS,ADTS) FRONT CONNECTED TRANSFER SWITCHES OPEN TYPE



600 AMP ACTS/ADTS W/ SWITCHING NEUTRAL



600 AMP ACTS/ADTS W/ SOLID NEUTRAL



GENERAL NOTES

- THE STANDARD SWITCH CONFIGURATION IS FOR TOP (LOAD & EMERGENCY) AND BOTTOM (NORMAL). OPTIONALLY, THE SWITCH MAY BE SUPPLIED WITH REVERSE NORMAL AND EMERGENCY LUGS. (REFER TO THE WIRING DIAGRAM FURNISHED WITH EACH TRANSFER SWITCH TO DETERMINE TERMINATION POSITIONS).
- NEUTRAL CONFIGURATIONS:
AN OPTIONAL FULL RATED NEUTRAL CONFIGURATION FOR EACH SOURCE AND THE LOAD MAY BE PROVIDED. WHEN EQUIPPED IT IS IN ONE OF THE FOLLOWING FORMATS AS SPECIFIED BY THE CATALOG NUMBER NO. NEUTRAL TYPE:
(A) SOLID (COPPER BUS) NEUTRAL
(B) SWITCHED NEUTRAL POLE
(C) OVERLAPPING NEUTRAL POLE (NOT AVAILABLE ON ACTS/ADTS UNITS)
- THE STANDARD MECHANICAL (SCREW TYPE) AL/CU TERMINAL LUGS ARE SHOWN FOR REFERENCE.
- WHEN INSTALLING CONDUCTORS, CONNECT TO SIMILARLY MARKED PHASES OF NORMAL, EMERGENCY & LOAD.
- ALL INTERNAL CONNECTIONS ARE MADE AT FACTORY.
- MAINTAIN ELECTRICAL CLEARANCE OF 1 INCH (25.4 mm) BETWEEN LIVE METAL PARTS AND GROUNDED METAL.
- WHEN MOUNTING THE TRANSFER SWITCH IN THE ENCLOSURE, THE CONTROL PANEL(S) AND OPERATOR CONTROLS SHOULD BE MOUNTED ON THE INSIDE, REAR SURFACE OF THE DOOR. 6 IN. MIN. DEPTH TO TRANSFER SWITCH FOR CONTROLS IS REQUIRED.
- THE CONTROL PANEL(S) IS CONNECTED TO THE TRANSFER SWITCH BY A HARNESS WITH A QUICK DISCONNECT PLUG(S). THE HARNESS EXITS THE TRANSFER SWITCH ON THE RIGHT SIDE. CONSULT FACTORY FOR EXTENSION HARNESSES.
- FOR TYPE 1 ENCLOSURE SEE DETAIL A -1 AND DETAIL B -1 FOR CUTOFF DATA. FOR TYPE 3R, 4, & 12 ENCLOSURE SEE DETAIL A -2 & DETAIL B -2 FOR CUTOFF DATA. GASKETS AND BEZELS ARE PROVIDED FOR TYPE 3R, 4, & 12 ENCLOSURE.
- CUSTOMER TERMINAL BLOCKS:
FOR ALL 7000 SERIES AND 4000 SERIES ACTS, ADTS, NCTS, & NDTs UNITS THE TB WILL BE MOUNTED ON THE UPPER RIGHT INSIDE OF ENCLOSURE AS INDICATED ON THE NEXT PAGE. FOR 4000 SERIES ATS AND NTS UNITS TB WILL BE MOUNTED ON THE TRANSFER SWITCH FRAME AS INDICATED ON THIS PAGE.

SERIES	CATALOG PREFIX
4000	4ATS
	4NTS
	4ACTS
	4NCTS
7000	4ADTS
	4NDTS
	7ATS
	7NCTS
	7ACTS
	7NCTS
	7ADTS
	7NDTS

SIZE	CABLE ACCOMMODATIONS (PER PHASE & NEUTRAL)
600	SCREW TYPE (STANDARD)- (2) #2 - 600 MCM AL/CU

NOTE : CONSULT FACTORY FOR OTHER CABLING & TERMINATION REQUIREMENTS.

CABLING NOTES

- ALL SIZES SUPPLIED STANDARD WITH MECHANICAL (SCREW TYPE) LUGS. (SEE AMP SIZE BELOW)
A. LUG MATERIAL: ALUMINUM ALLOY 6061-T6 WITH ELECTRO TIN PLATED FINISH.
B. SCREW MATERIAL: ALUMINUM ALLOY 6262-T9 WITH ELECTRO TIN PLATED FINISH.
C. UL LISTED, CSA CERTIFIED.
D. LUG SCREW TIGHTENING TORQUE PER UL 486B: 19 FT-LBS.
- CONSULT FACTORY FOR OTHER TERMINATION REQUIREMENTS.

NOTES 600 AMP SWITCHES

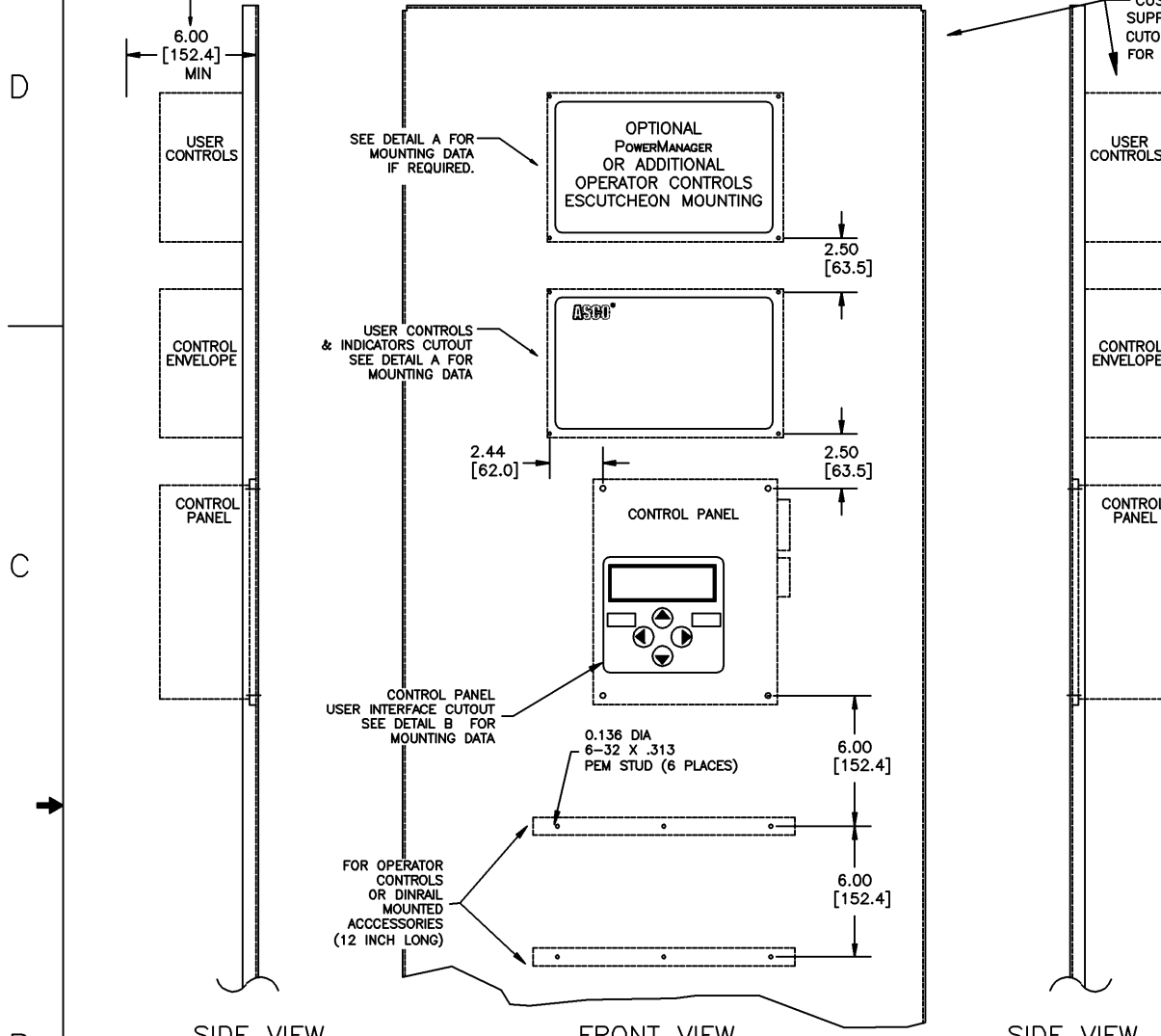
- SUPPLIED WITH STANDARD MECHANICAL (SCREW TYPE) LUGS ON THE NORMAL, EMERGENCY & LOAD BUS STABS. ONE (1) LUG PER PHASE AND NEUTRAL EACH SUITABLE FOR CONNECTION OF TWO (2) #2 -600MCM CU/AL CABLES.

MINIMUM REQUIRED ENCLOSURE SIZE INCH (mm)			
SWITCH RATING (AMPS)	HEIGHT	WIDTH	DEPTH
600	63 (1600)	24 (610)	17 (432)

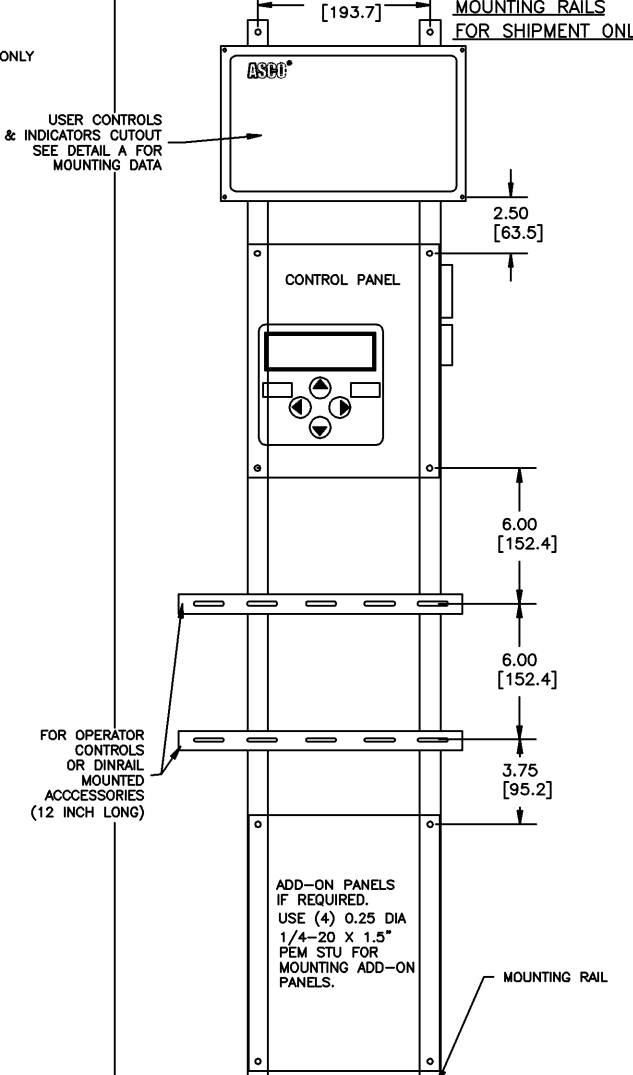
PROJECT NAME:		A 209625 WK BK 08/03/06	
SEE ECH		205933 BWM JPB 9/05	
ISSUE		CHANGE LETTER	
BY	DATE	EDN NO.	BY APP. DATE
BWM	9/05		
SUBSIDIARY DISTRIBUTION		COMPUTER GENERATED DRAWING	
AE	AM	AM	AL
CH	AW	AA	PS
AG	AP	AC	AS
THIRD ANGLE PROJECTION		SCALE 1:1 ACAD FILE	
DRAWN BY BWM 9/05		PROPERTY OF ASCO POWER TECHNOLOGIES. USE PERMITTED FOR OUR WORK ONLY. ALL RIGHTS OF DESIGN OR INVENTION ARE RESERVED.	
CHECKED JPB 9/05		SIZE DWG. NO. DS780143	
APPROVED JPB 9/05		CHANGE A	
FINAL APPROVAL		EDN NO. 209625	
ASCO POWER TECHNOLOGIES, LP.		SHEET 2 OF 3	
FLORHAM PARK, NEW JERSEY 07932 U.S.A.			

OUTLINE FOR ASCO® 4000 & 7000 SERIES 600 AMPERE "J" FRAME (ATS,ACTS,ADTS) FRONT CONNECTED TRANSFER SWITCHES OPEN TYPE

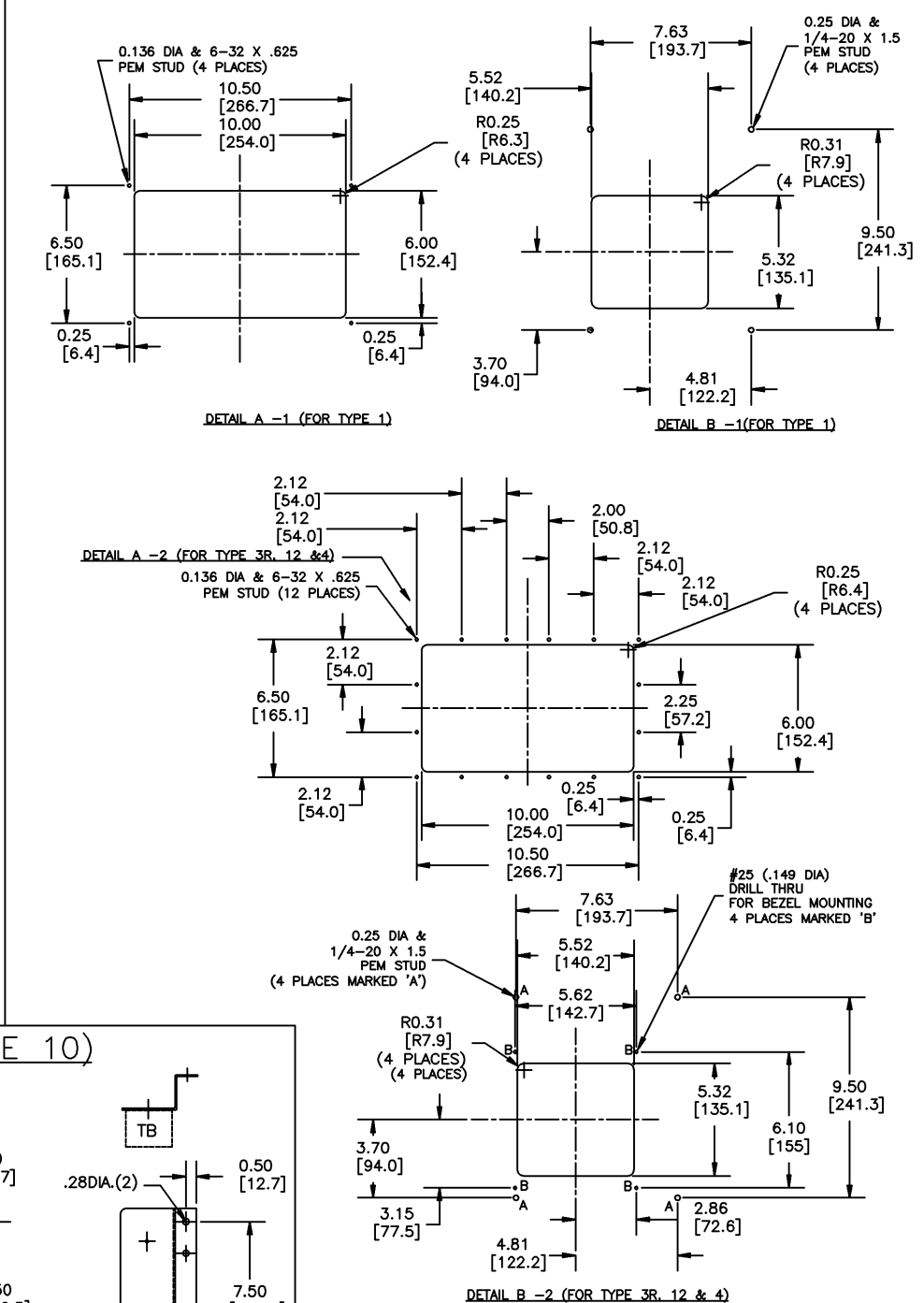
CONTROL PANEL & CONTROLS MOUNTING



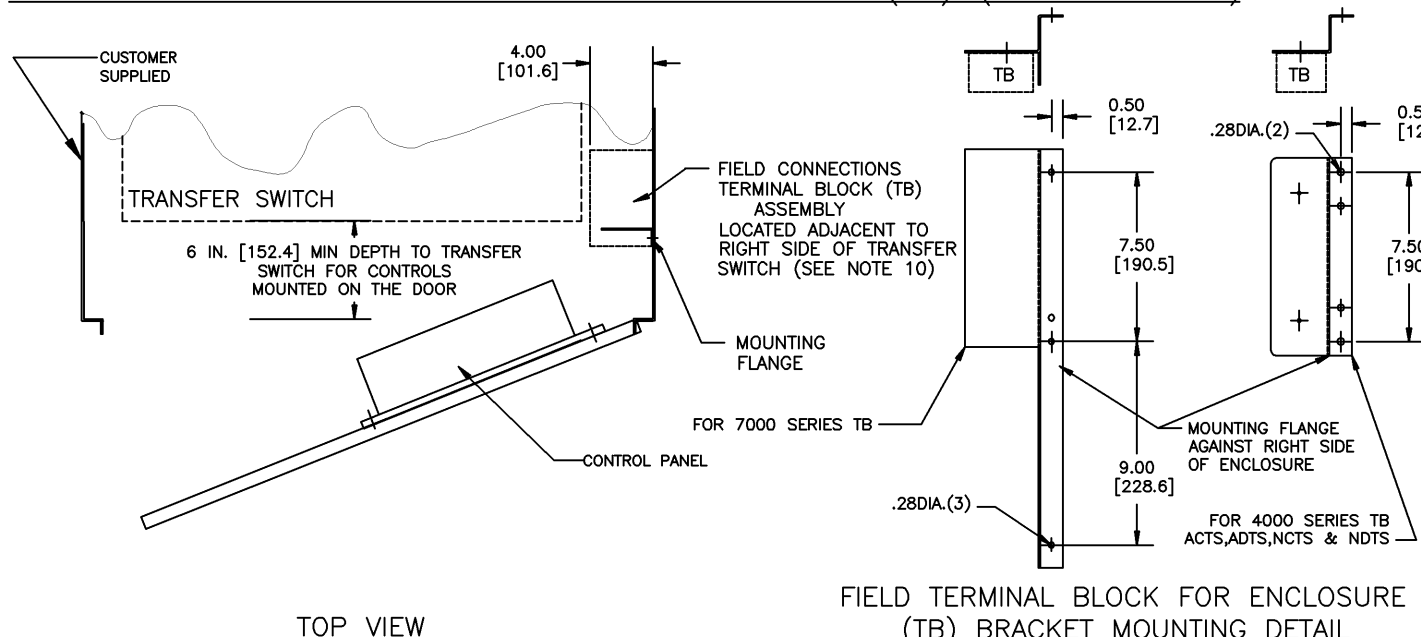
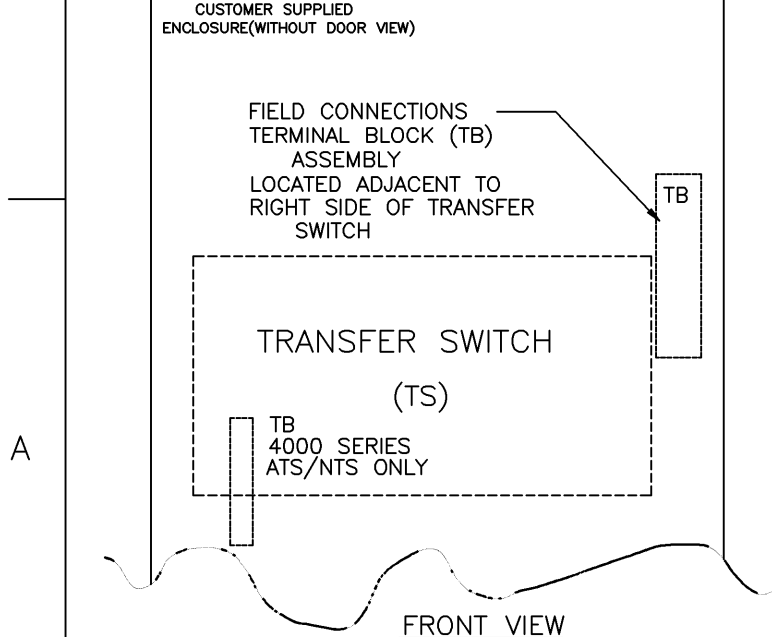
DEVICES ON MOUNTING RAILS FOR SHIPMENT ONLY



CONTROL PANEL & CONTROLS MOUNTING DATA



MOUNTING OF FIELD TERMINAL BLOCK ASSEMBLY (TB) (SEE NOTE 10)



PROJECT NAME:		209625 WK BK 08/03/06	
CHECKED BY:		205933 EWM JPB 9/05	
DATE:		9/05	
ISSUE:		ISSUE	
BY:		BY APP. DATE	
DATE:		DATE	
SUBSIDIARY DISTRIBUTION:		SUBSIDIARY DISTRIBUTION	
AC	AM	AM	AL
CH	AW	AM	PS
AG	AP	AC	AS
COMPUTER GENERATED DRAWING			
SCALE:		1:1 ACAD FILE	
SIZE:		DWG. NO.	
DS780143		DS780143	
ASCO POWER TECHNOLOGIES, L.P.		ASCO POWER TECHNOLOGIES, L.P.	
FLORHAM PARK, NEW JERSEY 07932 U.S.A.		FLORHAM PARK, NEW JERSEY 07932 U.S.A.	
CHANGE LETTER	ISSN	209625	SHEET 3 OF 3