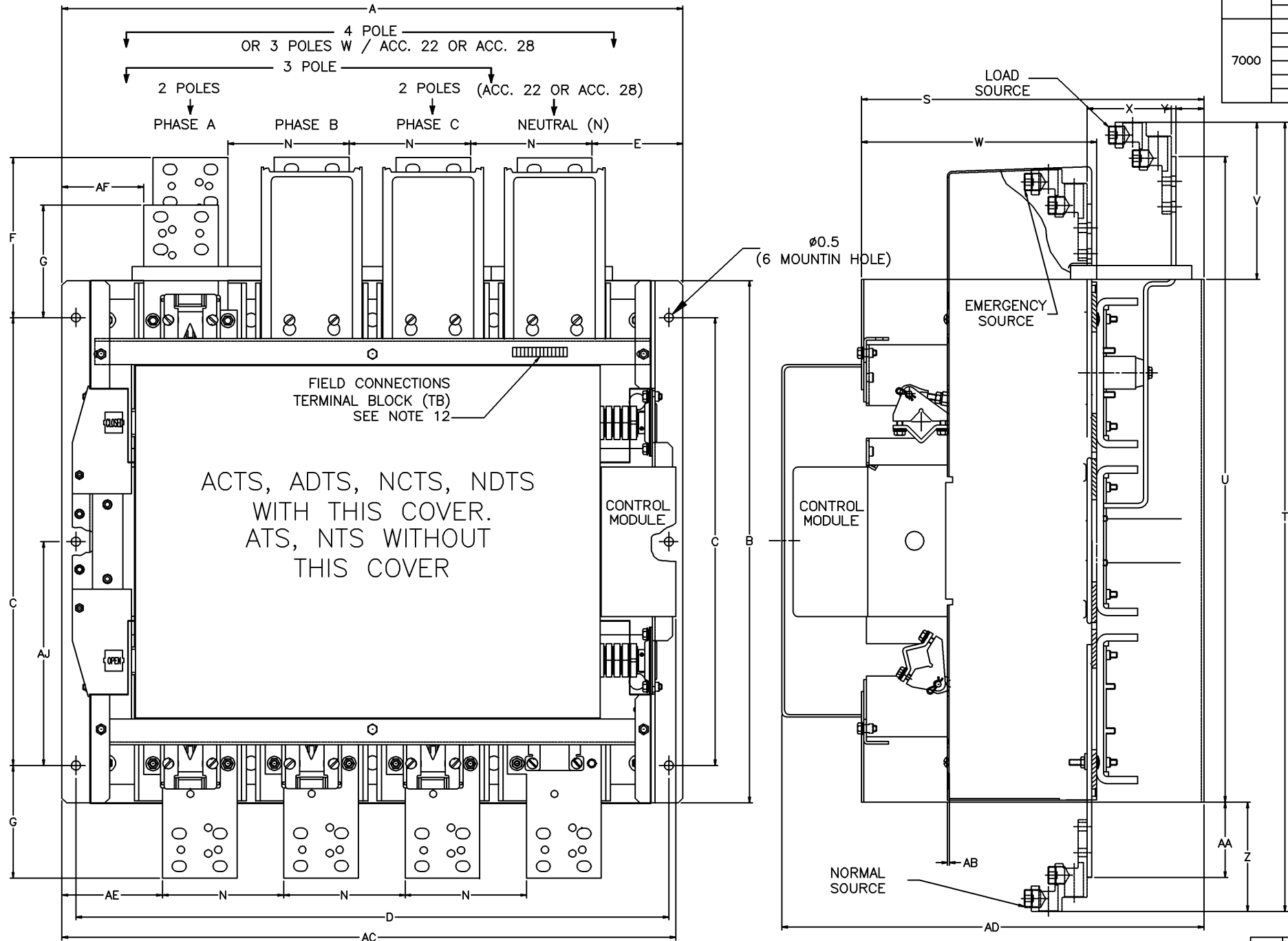


OUTLINE FOR ASCO® 4000 & 7000 SERIES 1000-2000 AMPERE "G" FRAME (ATS,ACTS,ADTS) FRONT CONNECTED TRANSFER SWITCHES OPEN TYPE

GENERAL NOTES

- THE STANDARD SWITCH CONFIGURATION IS FOR TOP EMERGENCY & LOAD AND BOTTOM NORMAL. OPTIONALLY, THE SWITCH MAY BE SUPPLIED WITH REVERSE SOURCES AND/OR BOTTOM LOAD. (REFER TO THE WIRING DIAGRAM FURNISHED WITH EACH TRANSFER SWITCH TO DETERMINE TERMINATION POSITIONS).
- NEUTRAL CONFIGURATIONS:
AN OPTIONAL FULL RATED NEUTRAL CONFIGURATION FOR EACH SOURCE AND THE LOAD MAY BE PROVIDED. WHEN EQUIPPED IT IS IN ONE OF THE FOLLOWING FORMATS AS SPECIFIED BY THE CATALOG NUMBER NO. NEUTRAL TYPE:
(A) SOLID (COPPER BUS) NEUTRAL
(B) SWITCHED NEUTRAL POLE
(C) OVERLAPPING NEUTRAL POLE (NOT AVAILABLE ON ACTS/ADTS UNITS)
- THE STANDARD MECHANICAL (SCREW TYPE) AL/CU TERMINAL LUGS ARE SHOWN FOR REFERENCE.
- SWITCH NEUTRAL POLE IS SHOWN FOR REFERENCE.
- WHEN INSTALLING CONDUCTORS, CONNECT TO SIMILARLY MARKED PHASES OF NORMAL, EMERGENCY & LOAD.
- ALL INTERNAL CONNECTIONS ARE MADE AT FACTORY.
- MAINTAIN ELECTRICAL CLEARANCE OF 1 INCH (25.4 mm) BETWEEN LIVE METAL PARTS AND GROUNDED METAL.
- WHEN MOUNTING THE TRANSFER SWITCH IN THE ENCLOSURE, THE CONTROL PANEL(S) AND OPERATOR CONTROLS SHOULD BE MOUNTED ON THE INSIDE, REAR SURFACE OF THE DOOR. 6 IN. MIN. DEPTH TO TRANSFER SWITCH FOR CONTROLS IS REQUIRED.
- THE CONTROL PANEL(S) IS CONNECTED TO THE TRANSFER SWITCH BY A HARNESS WITH A QUICK DISCONNECT PLUG(S). THE HARNESS EXITS THE TRANSFER SWITCH ON THE RIGHT SIDE. CONSULT FACTORY FOR EXTENSION HARNESSES.
- OPTIONAL ACCESSORY ADD-ON PANELS.
- FOR TYPE 1 ENCLOSURE SEE DETAIL A -1 AND DETAIL B -1 FOR CUTOUT DATA.
FOR TYPE 3R, 4, & 12 ENCLOSURE SEE DETAIL A -2 & DETAIL B -2 FOR CUTOUT DATA.
GASKETS AND BEZELS ARE PROVIDED FOR TYPE 3R, 4, & 12 ENCLOSURE.
- CUSTOMER TERMINAL BLOCKS:
FOR ALL 7000 SERIES UNITS THE TB WILL BE MOUNTED ON THE UPPER RIGHT INSIDE OF ENCLOSURE AS INDICATED ON THE NEXT PAGE.
FOR 4000 SERIES UNITS TB WILL BE MOUNTED ON THE TRANSFER SWITCH FRAME AS INDICATED ON THIS PAGE.

SERIES	CATALOG PREFIX
4000	4ATS
	4NTS
	4ACTS
	4NCTS
7000	7ATS
	7NTS
	7ACTS
	7NCTS
	7ADTS
	7NDTS



ACTS, ADTS, NCTS, NDTs WITH THIS COVER.
ATS, NTS WITHOUT THIS COVER

SIZE	CABLE ACCOMMODATIONS (PER PHASE & NEUTRAL)
1000-1200	SCREW TYPE (STANDARD)- (4) 1/0 - 750 MCM AL/CU
1600-2000	SCREW TYPE (STANDARD)- (6) 1/0 - 750 MCM AL/CU

NOTE: CONSULT FACTORY FOR OTHER CABLING & TERMINATION REQUIREMENTS.

AMP SIZE	POLES	APPROXIMATE SHIPPING WEIGHT, LBS (KG)	
		WEIGHT	WEIGHT
1000 TO 1200	2	175 (80)	505 (229)
	B2	205 (94)	555 (252)
	C2	205 (94)	555 (252)
	3	205 (94)	555 (252)
	B3	235 (108)	605 (274)
C3	235 (108)	605 (274)	

AMP SIZE	DIMENSIONS									
	A	B	C	D	E	F	G	H	J	K
1000 & 1200	33.27 845.1	28.00 711.2	24.00 609.6	31.75 806.5	4.88 124.0	8.56 217.4	6.03 153.2	0.63 15.88	1.75 44.45	1.31 33.3
1600 & 2000	33.27 845.1	28.00 711.2	24.00 609.6	31.75 806.5	4.88 124.0	8.56 217.4	6.03 153.2	0.63 15.88	1.75 44.45	1.31 33.3

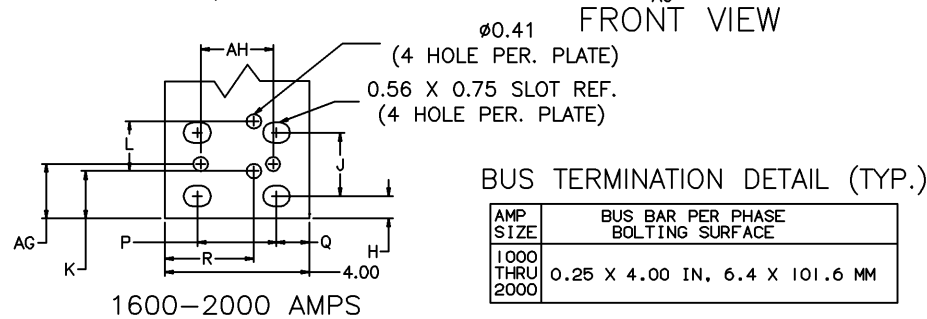
AMP SIZE	DIMENSIONS									
	L	M	N	P	Q	R	S	T	U	V
1000 & 1200	1.37 34.80	—	6.50 165.1	2.18 55.37	0.91 23.11	2.43 61.7	18.34 465.8	42.3 1074.4	34.58 878.3	8.40 213.4
1600 & 2000	1.37 34.80	—	6.50 165.1	2.18 55.37	0.91 23.11	2.43 61.7	18.34 465.8	42.96 1091.2	34.58 878.3	8.40 213.4

AMP SIZE	DIMENSIONS									
	W	X	Y	Z	AA	AB	AC	AD	AE	AF
1000 & 1200	12.5 317.5	4.50 114.3	1.50 38.1	5.90 150.0	4.04 102.6	0.112 2.85	33.00 838.2	22.25 565.2	5.35 135.9	4.36 111.6
1600 & 2000	12.5 317.5	4.50 114.3	1.25 31.75	6.22 158.0	4.04 102.6	0.112 2.85	33.00 838.2	22.25 565.2	5.35 135.9	4.36 111.6

AMP SIZE	DIMENSIONS		
	AG	AH	AJ
1000 & 1200	—	—	12.00 304.8
1600 & 2000	1.50 38.10	2.00 50.8	12.00 304.8

MINIMUM REQUIRED ENCLOSURE SIZE INCH (mm)			
SWITCH RATING (AMPS)	HEIGHT	WIDTH	DEPTH
1000 & 2000	87 (2210)	38 (965)	25 (635)

NOTE: "2000 AMPS" NEEDS VENTILATION TOP AND BOTTOM.

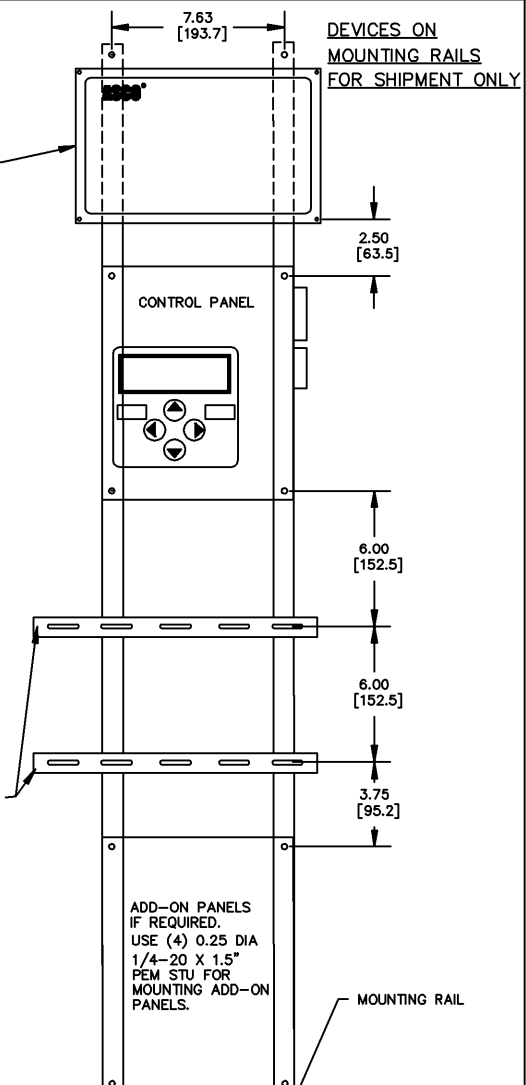
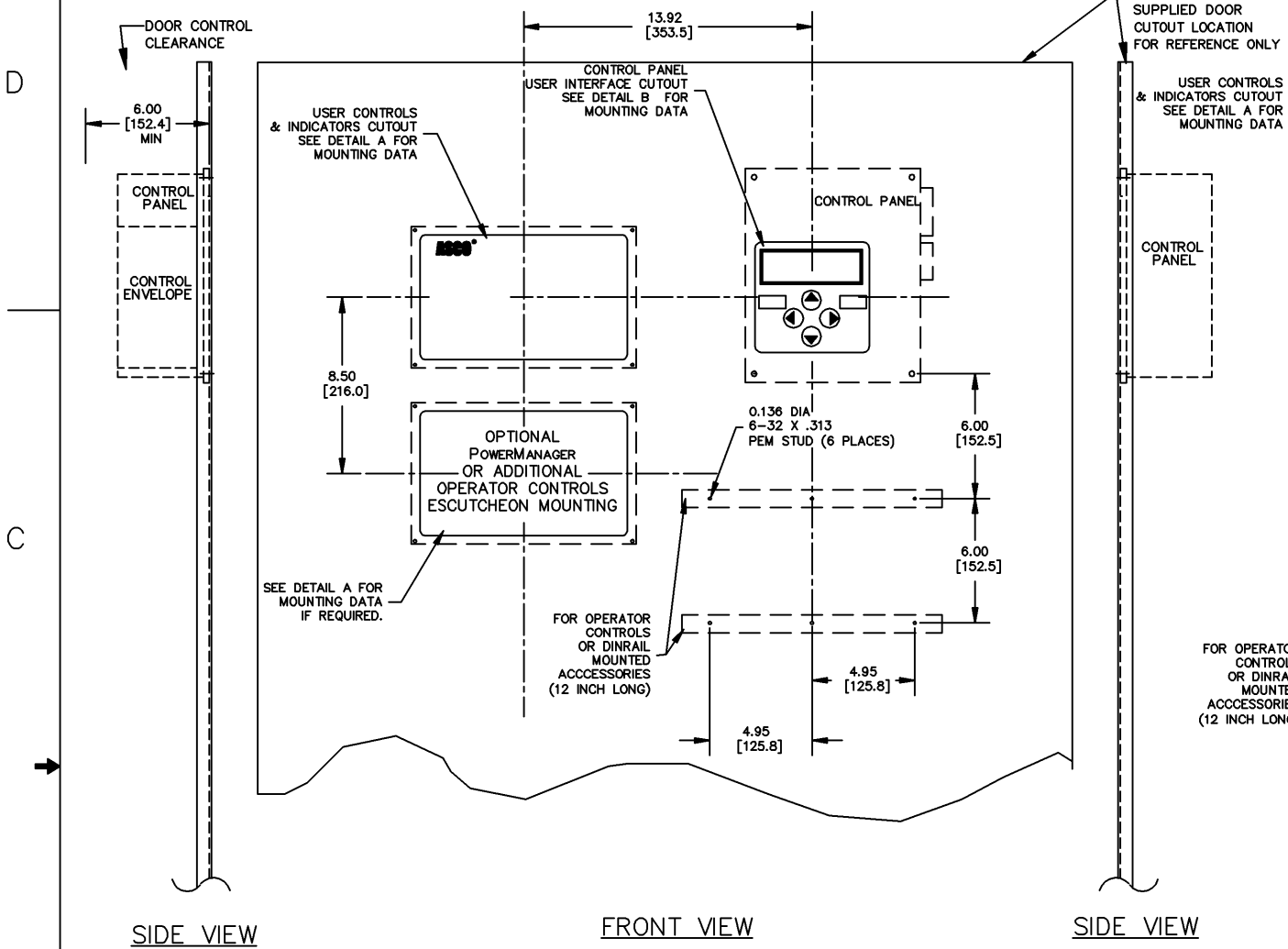


PROJECT NAME: OUTLINE 4000/7000 SERIES	MANUFACTURING TOLERANCES TO BE IN ACCORDANCE WITH ASCO PROCEDURE MP-1-003. FOR PLASTIC PARTS SEE MP-1-005.	ASSEMBLY REF. NO.
PROPERTY OF ASCO POWER TECHNOLOGIES. USE PERMITTED FOR OUR WORK ONLY. ALL RIGHTS OF DESIGN OR INVENTION ARE RESERVED.	SCALE: 1:1	ACAD FILE
SIZE: DWG. NO. DS619589	CHANGE C	LETTER

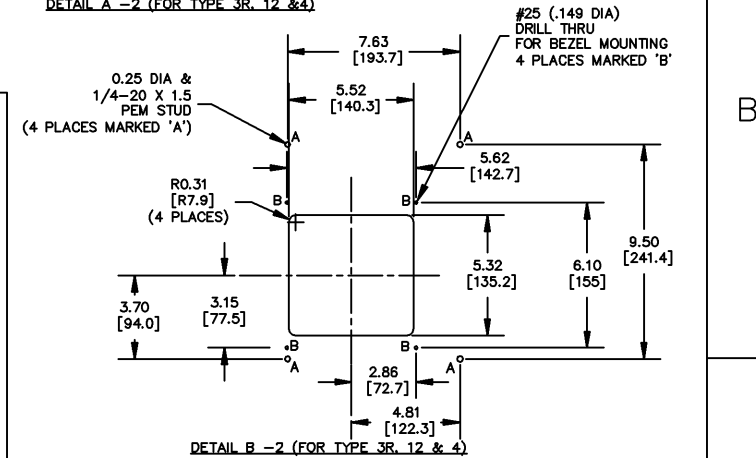
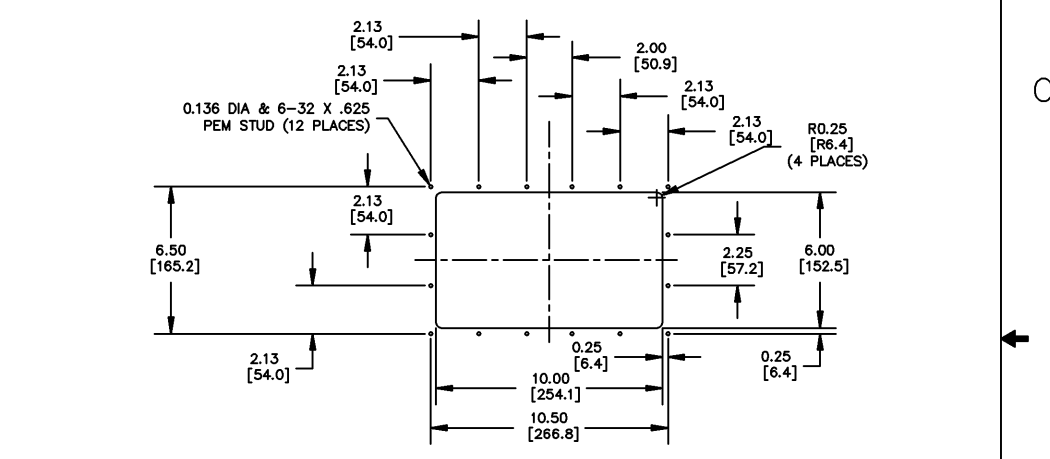
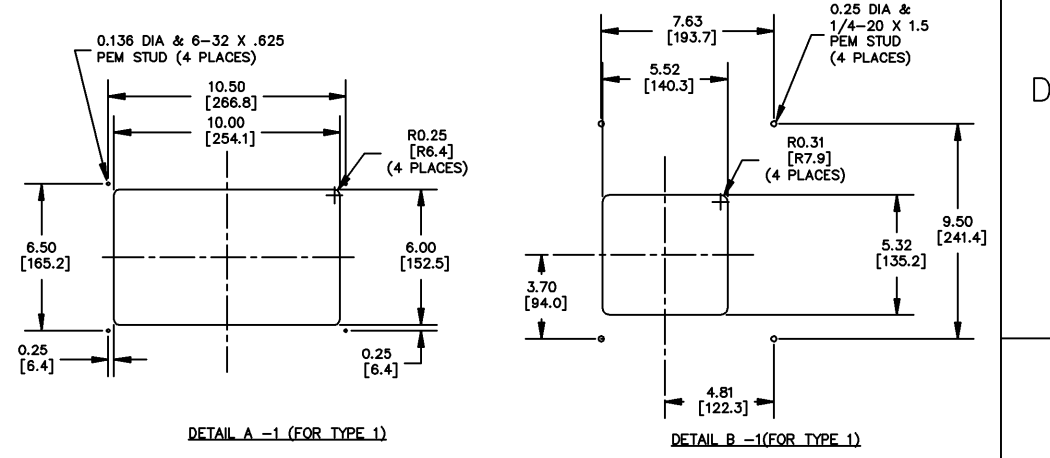
NOTE: "2000 AMPS" NEEDS VENTILATION TOP AND BOTTOM.

OUTLINE FOR ASCO® 4000 & 7000 SERIES 1000-2000 AMPERE "G" FRAME (ATS,ACTS,ADTS) FRONT CONNECTED TRANSFER SWITCHES OPEN TYPE

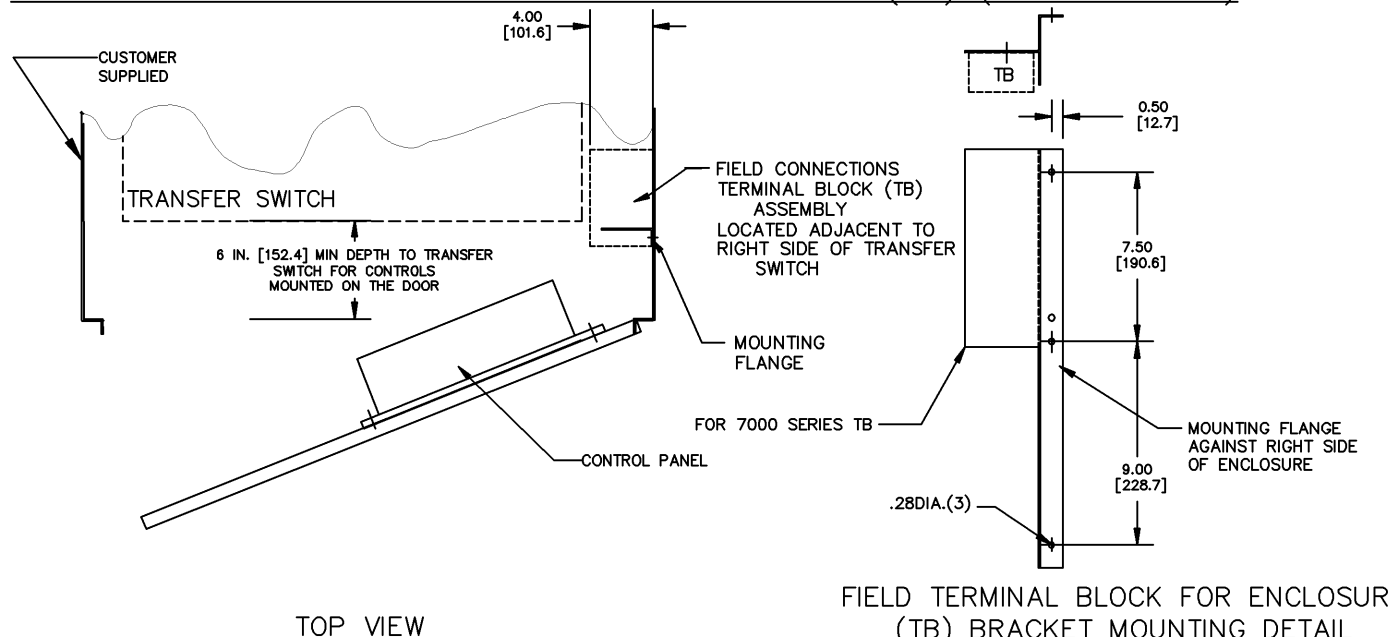
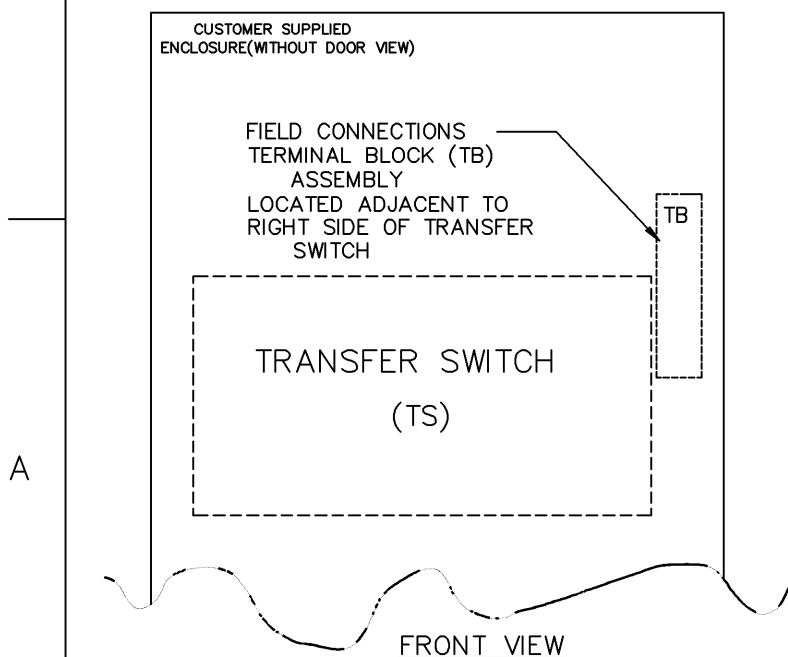
CONTROL PANEL & CONTROLS MOUNTING



CONTROL PANEL & CONTROLS MOUNTING DATA



MOUNTING OF FIELD TERMINAL BLOCK ASSEMBLY (TB) (SEE NOTE 12)



205189	AJM	WK	07/20/05
154988	WK	BK	6/28/00
149724	BK	WK	11/5/98
146595	YZ	SDH	12/3/97
ISSUED			
PROJECT NAME:	OUTLINE	4000/7000 SERIES	
DRIVEN BY:	YZ	12/97	
CHECKED:	SDH	12/97	
FINAL APPROVAL:	SDH	12/97	
MANUFACTURING TOLERANCES TO BE IN ACCORDANCE WITH ASCO PROCEDURE MP-1-003. FOR PLASTIC PARTS SEE MP-1-005.	ASSEMB. REF. NO.		
PROPERTY OF ASCO POWER TECHNOLOGIES. USE PERMITTED FOR OUR WORK ONLY. ALL RIGHTS OF DESIGN OR INVENTION ARE RESERVED.	SCALE	1:1	ACAD FILE
ASCO POWER TECHNOLOGIES, L.P.	FLORHAM PARK, NEW JERSEY 07932 U.S.A.	DS 619589	SHEET 2 OF 2