

OUTLINE FOR ASCO 4000 & 7000 SERIES 30-230 AMPERE "D" FRAME TRANSFER SWITCHES TYPE 1 ENCLOSURE

SERIES	CATALOG PREFIX
4000	4ATS
	4NTS
7000	7ATS
	7NTS

GENERAL NOTES

- TYPE 1 WALL MOUNTED ENCLOSURE.
- STANDARD FINISH - LIGHT GRAY, ANSI 61.
- KEY LOCKABLE HANDLE.
- REMOVABLE SINGLE DOOR
- TERMINALS - SCREW TYPE LUGS FOR EXTERNAL POWER CONNECTIONS.
- = CENTER OF GRAVITY.
- THREE POLE SWITCH WITH SOLID NEUTRAL SHOWN FOR REFERENCE.
- NEUTRAL CONFIGURATIONS:

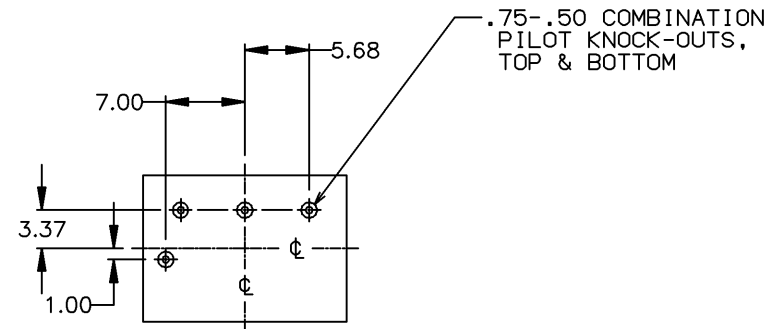
AN OPTIONAL FULL RATED NEUTRAL CONFIGURATION FOR EACH SOURCE AND THE LOAD MAY BE PROVIDED. WHEN EQUIPPED IT IS IN ONE OF THE FOLLOWING FORMATS AS SPECIFIED BY THE CATALOG NUMBER NO. NEUTRAL TYPE:

- (A) SOLID (COPPER BUS) NEUTRAL
- (B) SWITCHED NEUTRAL POLE
- (C) OVERLAPPING NEUTRAL POLE

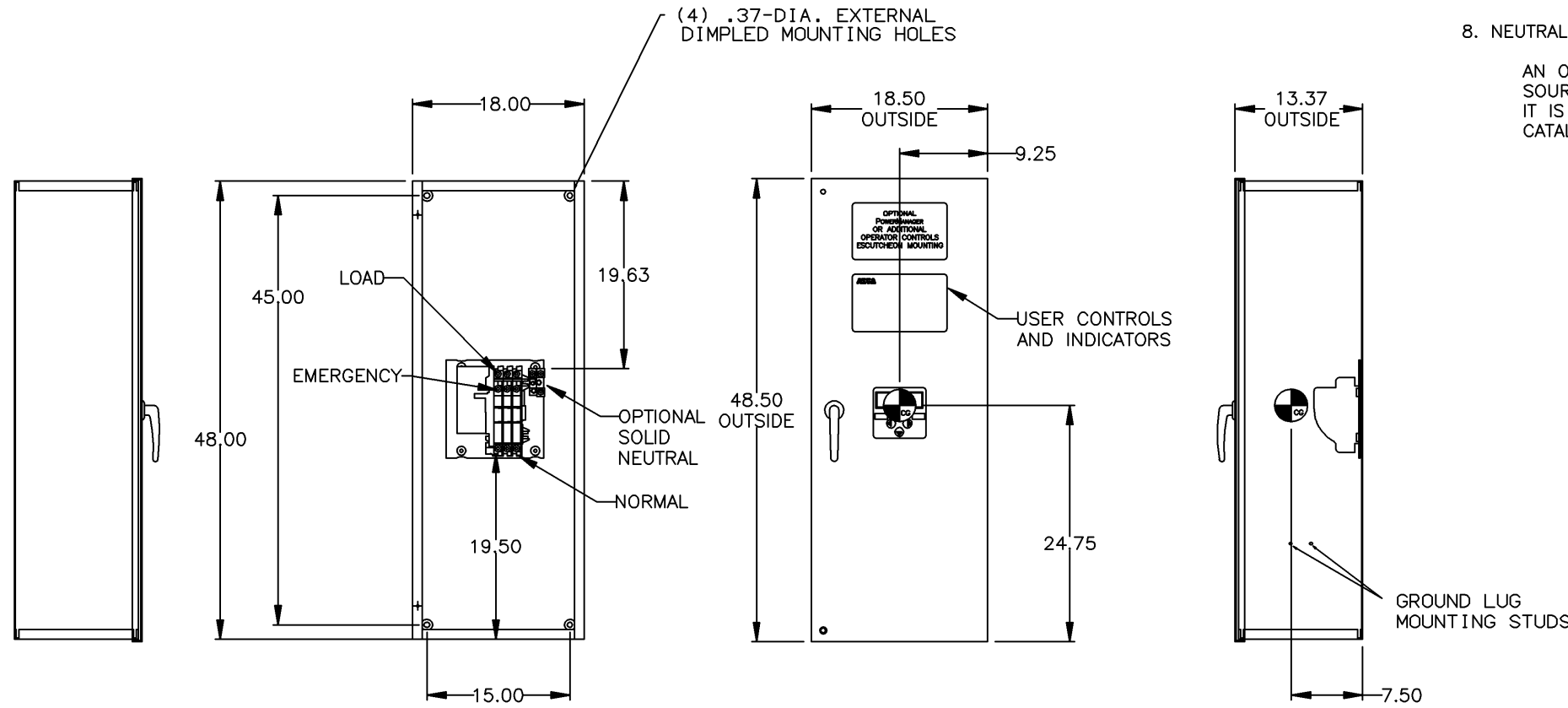
SWITCH RATING (AMPS)	RANGE OF WIRE
30-150	(1) #14 TO 4/0 AWG AL-CU WIRE
200-230	(1) #14 TO 4/0 AWG COPPER WIRE

APPROXIMATE SHIPPING WEIGHT, LBS (KG)

AMP SIZE	POLES	WEIGHT
30-230	2	69 (32)
	B2	72 (33)
	C2	72 (33)
	3	72 (33)
	B3	75 (34)
	C3	75 (34)



TOP VIEW
TYP TOP & BOTTOM



LEFT SIDE

FRONT VIEW
WITHOUT DOOR

FRONT VIEW
WITH DOOR

RIGHT SIDE

C	204927	AJM	WK	07/01/05
SEE ECN	164540	BWM	SDH	8/03
B	ADD 230A			
A	161727	BWM	WK	9/02
SEE ECN	161165	BWM	WK	07/02/02
-	ISSUED			

PROJECT NAME: OUTLINE 4000/7000 SERIES		SUBSIDIARY DISTRIBUTION	
DRAWN BY: DJB 07/02/02		THIRD ANGLE PROJECTION	
CHECKED BY: BK 07/02/02		SCALE: 1:1 ACAD FILE	
TEXTURE APPROVAL: WK 07/02/02		SIZE: DWS NO. DS719687	
FINAL APPROVAL:		CHANGE C LETTER	