

OUTLINE FOR ASCO® 4000 & 7000 SERIES 30-230 AMPERE "D" FRAME TRANSFER SWITCH TYPE 3R/4/12 SECURED ENCLOSURE

GENERAL NOTES

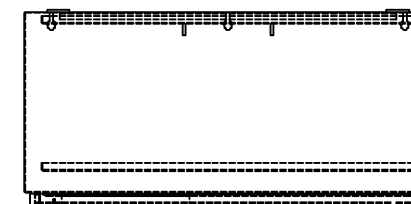
1. TYPE 3R/4/12 SECURED WALL MOUNTED ENCLOSURE. CONSTRUCTED IN ACCORDANCE WITH UL STANDARDS 50 & 50B.
2. STANDARD FINISH - LIGHT GRAY, ANSI 61.
3. EXTERIOR DOOR HINGED ON LEFT SIDE. PADLOCK HASP RIGHT SIDE PLATED DOOR CLAMPS (RIGHT SIDE FOR TYPES 3R & 12; RIGHT, TOP & BOTTOM FOR TYPE 4).
4. FULL WIRING GUTTERS AT TOP & BOTTOM. NO KNOCKOUTS PROVIDED.
5. OVERALL DIMENSIONS ARE OUTSIDE MEASUREMENTS.
6. REFER TO THE OPERATOR'S MANUAL PROVIDED WITH EACH UNIT BEFORE INSTALLING AND OPERATING THE SWITCH.
7. NEUTRAL CONFIGURATIONS:

SERIES	CATALOG PREFIX
4000	4ATS
	4NTS
7000	7ATS
	7NTS

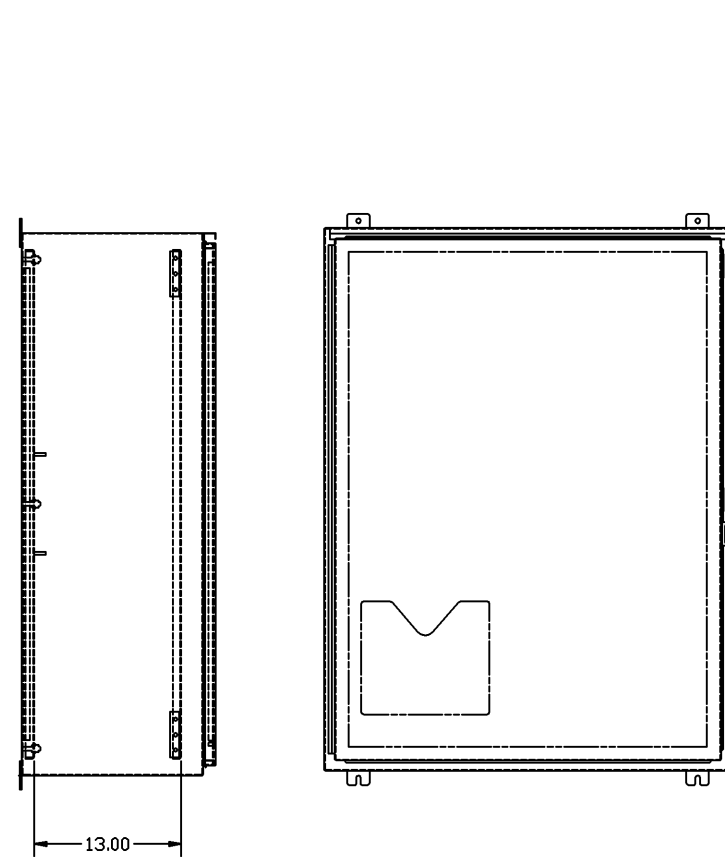
AN OPTIONAL FULL RATED NEUTRAL CONFIGURATION FOR EACH SOURCE AND THE LOAD MAY BE PROVIDED. WHEN EQUIPPED IT IS IN ONE OF THE FOLLOWING FORMATS AS SPECIFIED BY THE CATALOG NUMBER NO. NEUTRAL TYPE:

- (A) SOLID (COPPER BUS) NEUTRAL
- (B) SWITCHED NEUTRAL POLE
- (C) OVERLAPPING NEUTRAL POLE

8. = CENTER OF GRAVITY.

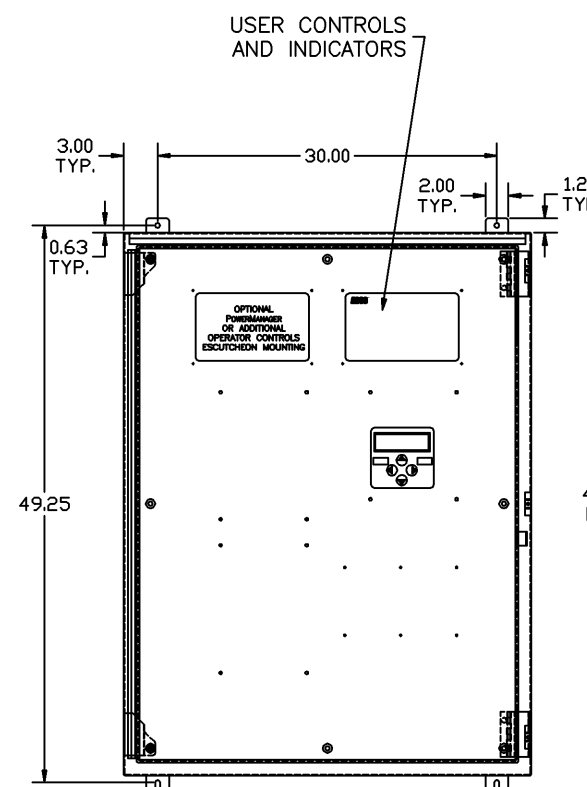


TOP VIEW

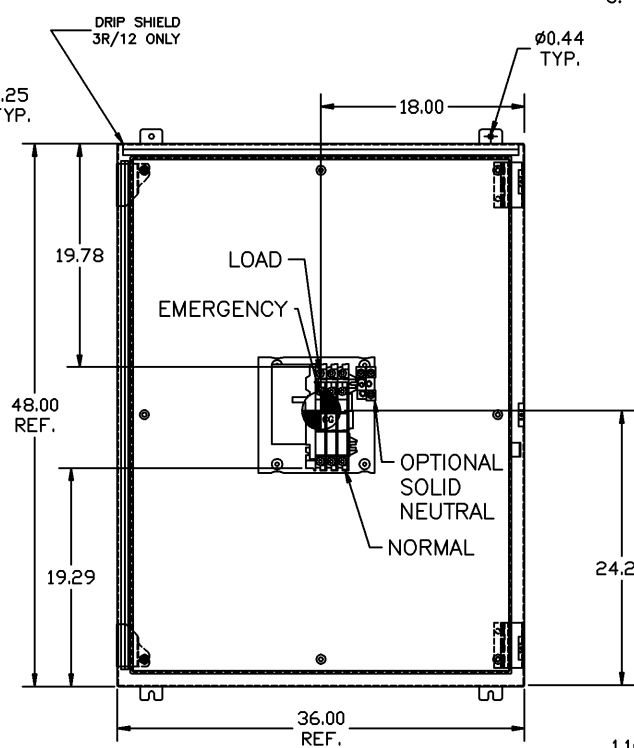


LEFT SIDE

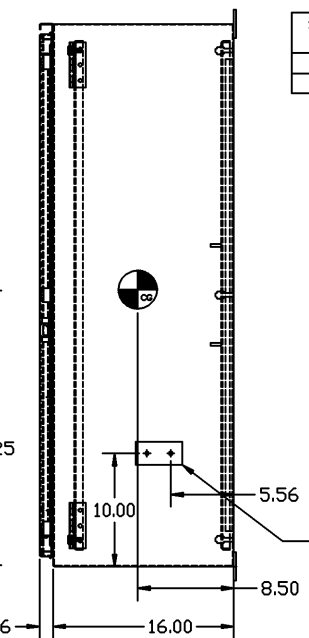
FRONT VIEW
WITH EXTERIOR DOOR



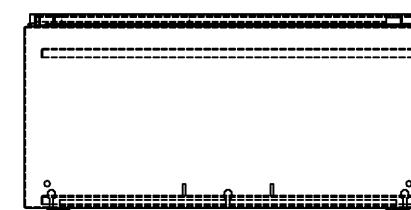
FRONT VIEW
WITH OUT EXTERIOR DOOR
WITH INTERIOR DOOR



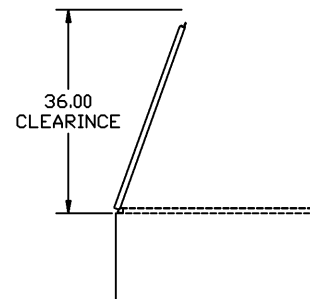
FRONT VIEW
WITHOUT DOORS



RIGHT SIDE



BOTTOM VIEW



SWITCH RATING (AMPS)	RANGE OF WIRE
30-150	(1) #14 TO 4/0 AWG AL-CU WIRE
200-230	(1) #14 TO 4/0 AWG COPPER WIRE

APPROXIMATE SHIPPING WEIGHT, LBS (KG)		
AMP SIZE	POLES	WEIGHT
30-230	2	247 (112)
	B2	250 (113)
	C2	250 (113)
	3	250 (113)
	B3	253 (115)
	C3	253 (115)

B	225279	TR	WK	11/30/09
	SEE ECH			
A	204827	AJM	WK	07/01/05
	SEE ECH			
-	183238	TR	WK	04/03/03
	ISSUE			

PROJECT NAME:		REV. TO SHEET	ECH NO.	BY	APP.	DATE
OUTLINE 4000/7000 SERIES						
DRAWN BY DJB 04/03/03	CHECKED AMS 04/03/03	DATE 04/03/03	MANUFACTURING TOLERANCES TO BE IN ACCORDANCE WITH ASCO PROCEDURE MP-1-003. FOR PLASTIC PARTS SEE MP-1-005.	ASSEM. REF. NO.	COMPUTER GENERATED DRAWING	
PROPERTY OF ASCO POWER TECHNOLOGIES. USE PERMITTED FOR OUR WORK ONLY. ALL RIGHTS OF DESIGN OR INVENTION ARE RESERVED.			SCALE: NONE SIZE: DS			
ASCO POWER TECHNOLOGIES, L.P. FLORENCE PARK, NEW JERSEY 07832 U.S.A.			DWG. NO. 623188-011			
DRAWING B			SHEET 1 OF 1			